



US00D459198S

(12) **United States Design Patent**
Hodjat

(10) **Patent No.:** **US D459,198 S**
(45) **Date of Patent:** **** Jun. 25, 2002**

(54) **DAMPER PULLEY**
(75) Inventor: **Yahya Hodjat**, Oxford, MI (US)
(73) Assignee: **The Gates Corporation**, Denver, CO (US)
(**) Term: **14 Years**

D317,709 S	6/1991	Kanemitsu	D8/360
D320,927 S	10/1991	Kanemitsu	D8/360
D322,553 S	* 12/1991	Kanemitsu	D8/360
D347,378 S	5/1994	Warner	D8/360
5,465,485 A	* 11/1995	Miyake et al.	474/178
5,507,698 A	* 4/1996	Kuribayashi	474/177
5,540,626 A	* 7/1996	Asai et al.	474/94
5,591,093 A	* 1/1997	Asai et al.	474/94

(21) Appl. No.: **29/142,406**
(22) Filed: **May 24, 2001**
(51) **LOC (7) Cl.** **08-05**
(52) **U.S. Cl.** **D8/360**
(58) **Field of Search** D8/354, 355, 356,
D8/360; D23/386; 29/892.1, 892.11, 892.2,
892.3; 72/82; 474/94, 166, 168, 169, 170,
171, 174, 175, 176, 177, 178, 902, 903,
179, 180, 181, 182, 183, 184, 190

* cited by examiner

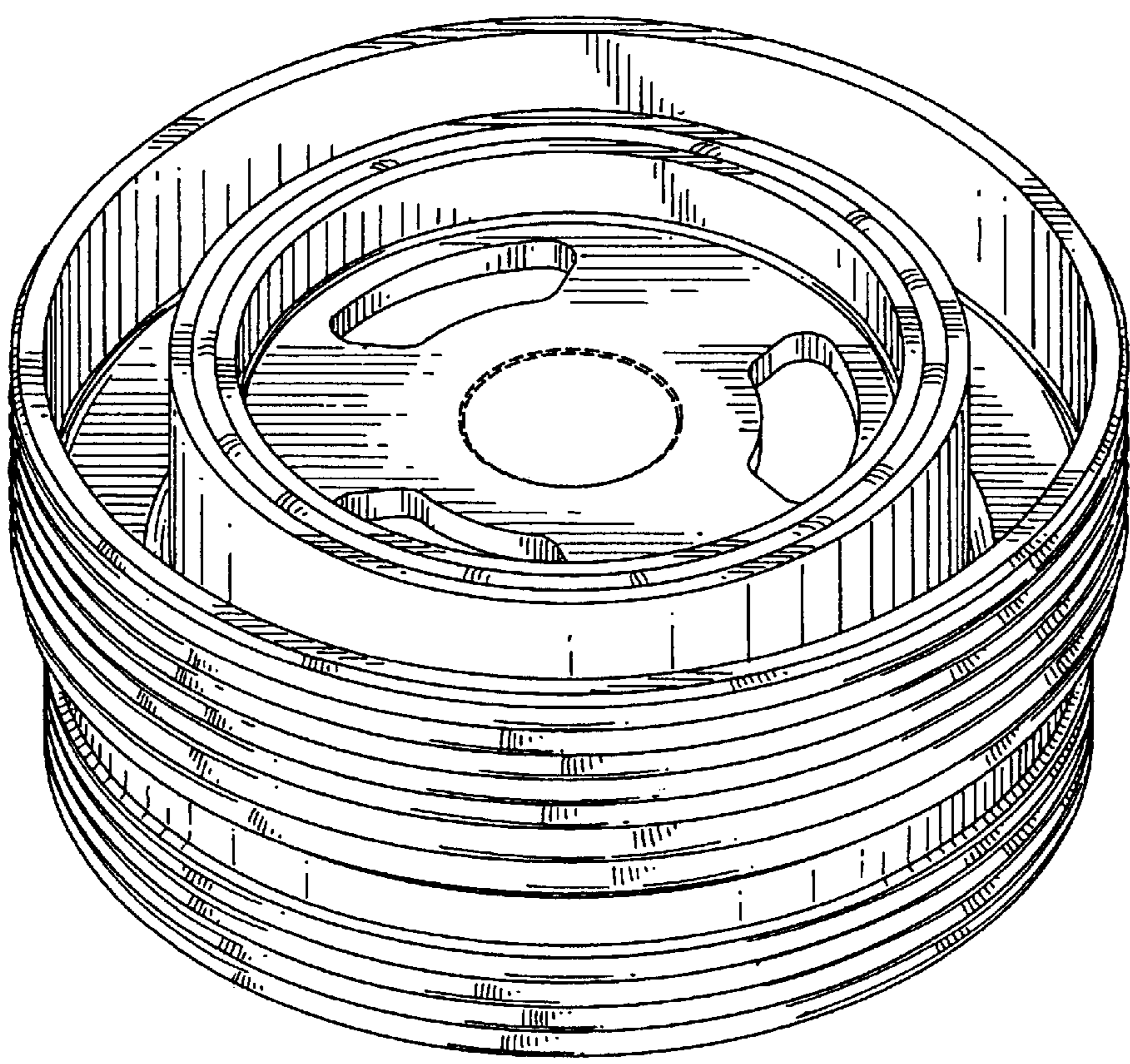
Primary Examiner—Doris V. Coles
Assistant Examiner—Elizabeth A. Albert
(74) *Attorney, Agent, or Firm*—J. A. Thurnau, Esq.; C. H. Castleman, Esq.; S. G. Austin, Esq.

(56) **References Cited**
U.S. PATENT DOCUMENTS
75,735 A * 3/1868 Collins et al. 474/177
2,352,474 A * 6/1944 Firth et al. 474/176
2,413,817 A * 1/1947 Firth 474/177
2,646,689 A * 7/1953 Maher 474/168
D267,472 S 1/1983 Kanemitsu D8/360
4,473,363 A * 9/1984 McCutchan, Jr. 474/168
D297,707 S * 9/1988 Kanemitsu D8/360
4,824,422 A * 4/1989 Jovic 474/902

(57) **CLAIM**
The ornamental design for a damper pulley, as shown and described.

DESCRIPTION
FIG. 1 is a front elevation view.
FIG. 2 is a sectional view along lines 2—2 in FIG. 1.
FIG. 3 is a side elevation view.
FIG. 4 is a rear elevation view; and,
FIG. 5 is a perspective front view.
The broken lines showing the central hub area in FIGS. 1, 2, 4 and 5 of the drawings are for illustrative purposes only and form no part of the claimed design.

1 Claim, 3 Drawing Sheets



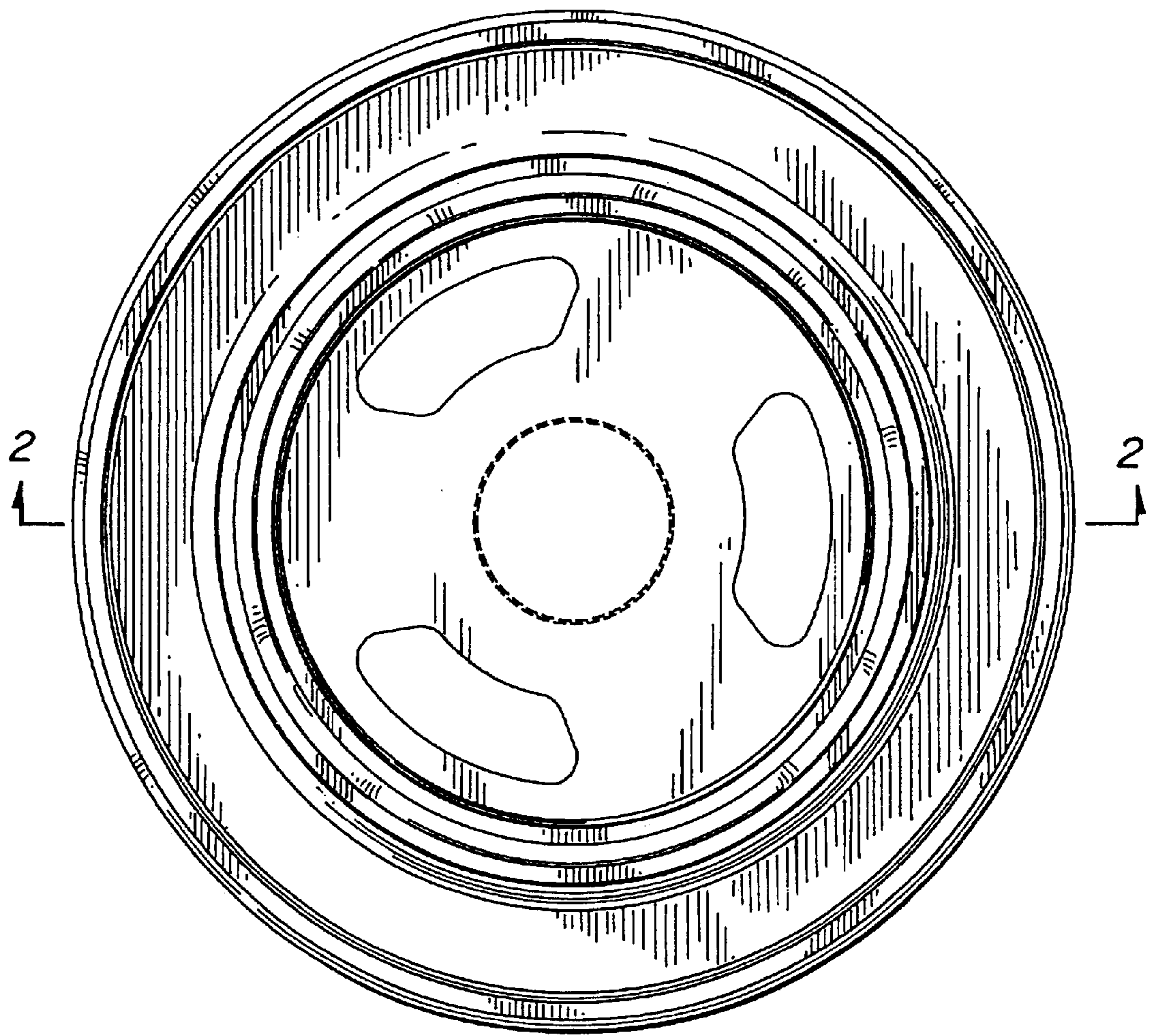


FIG. 1

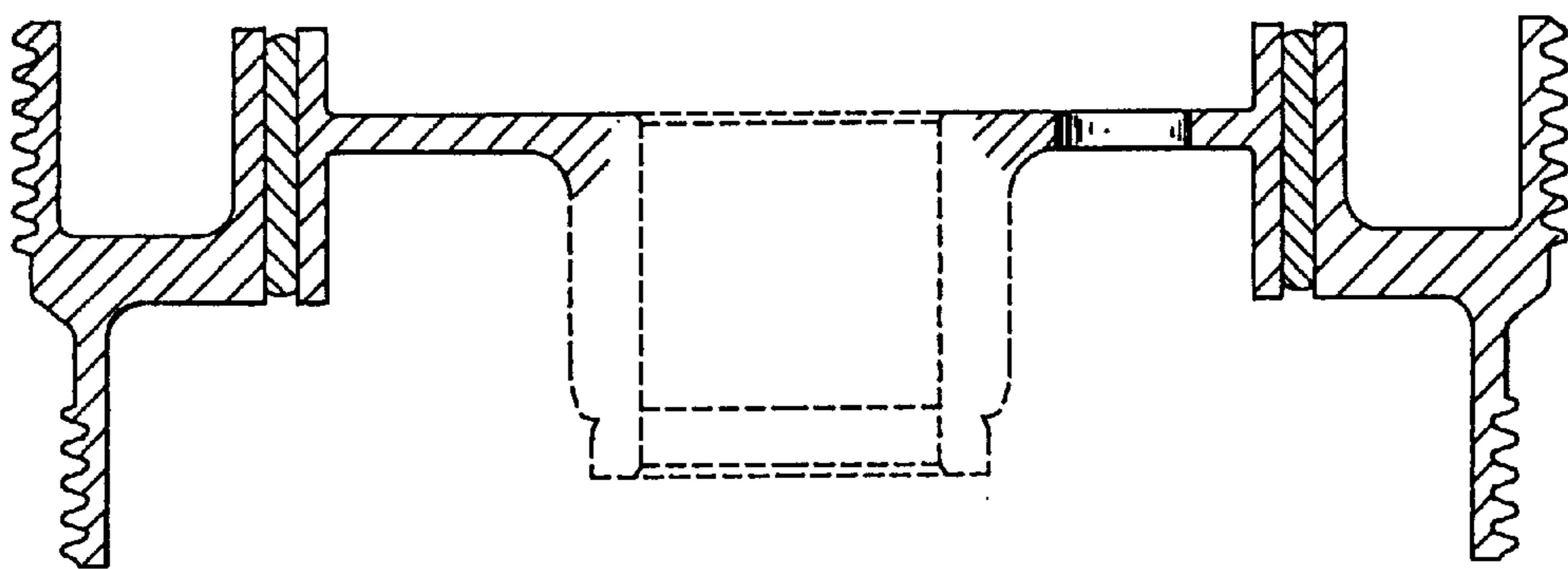


FIG. 2

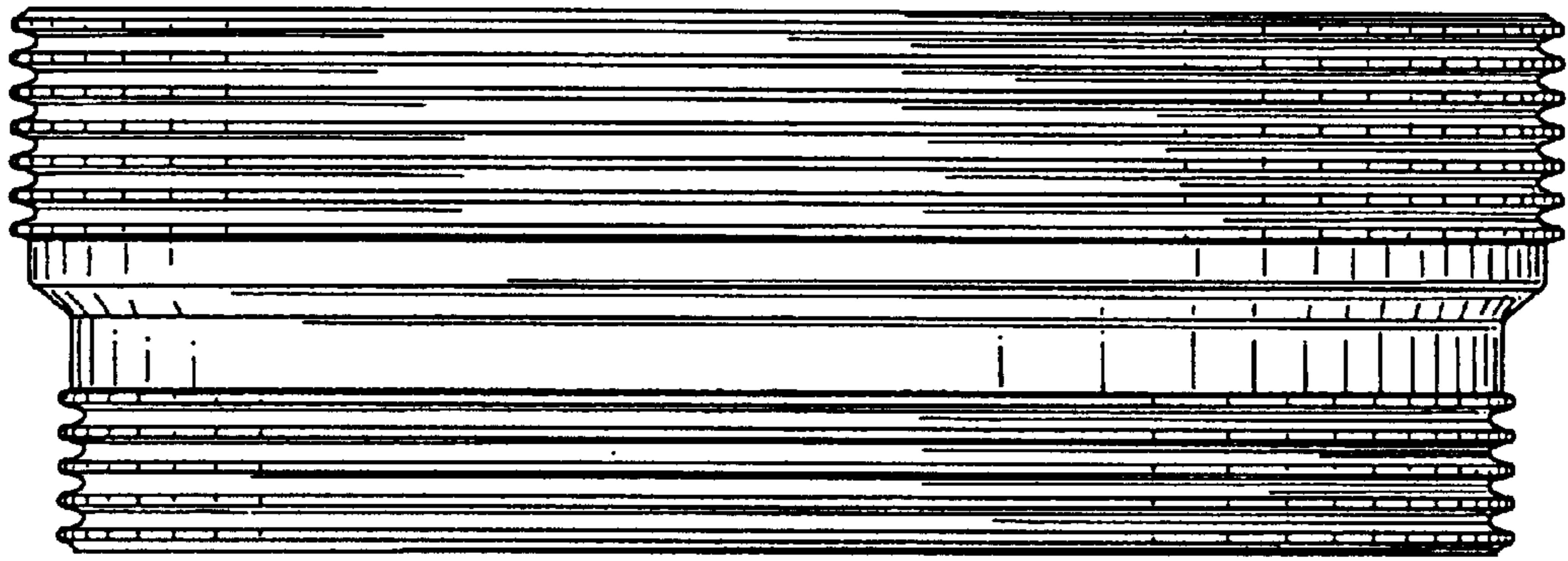


FIG. 3

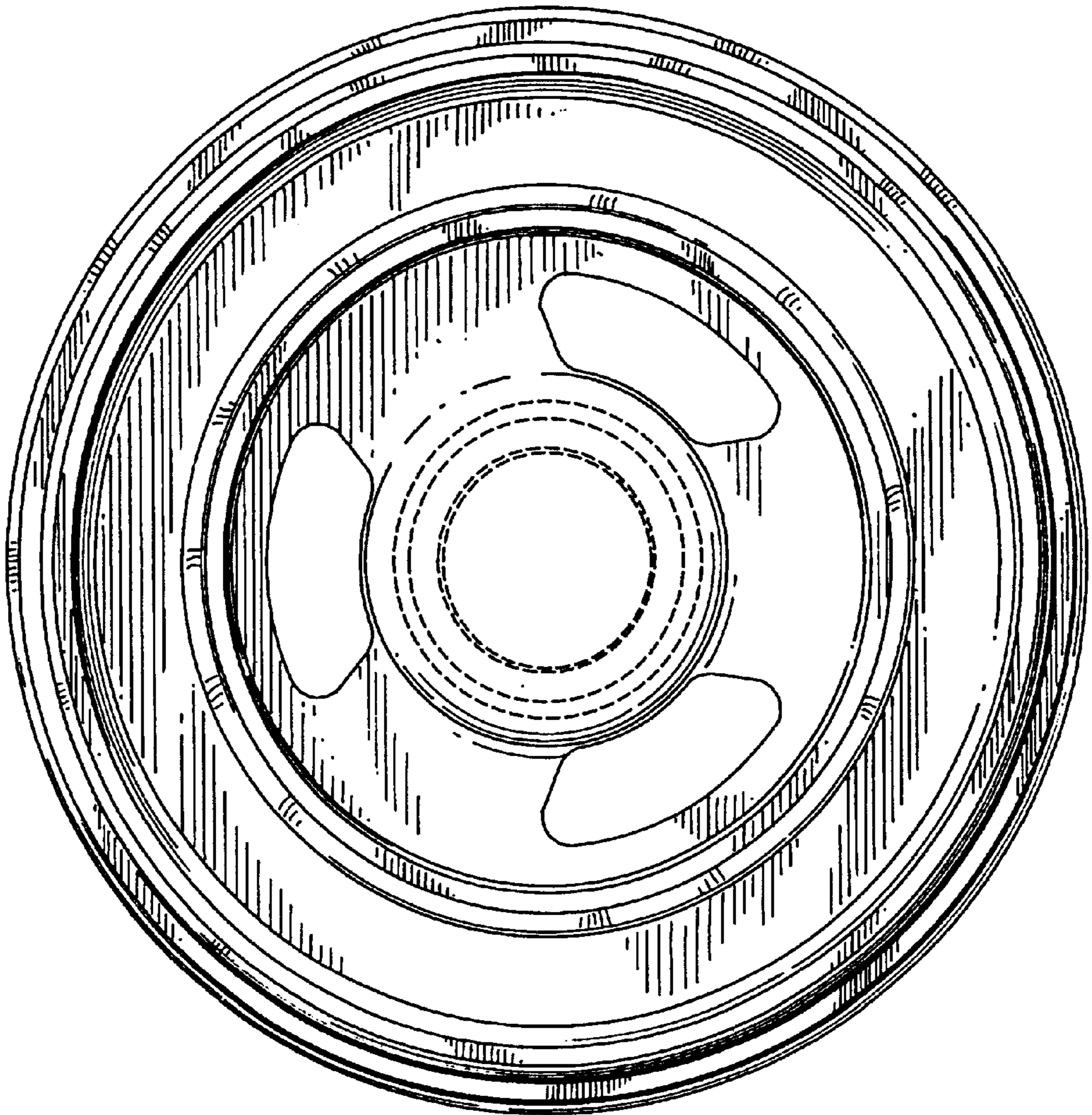


FIG. 4

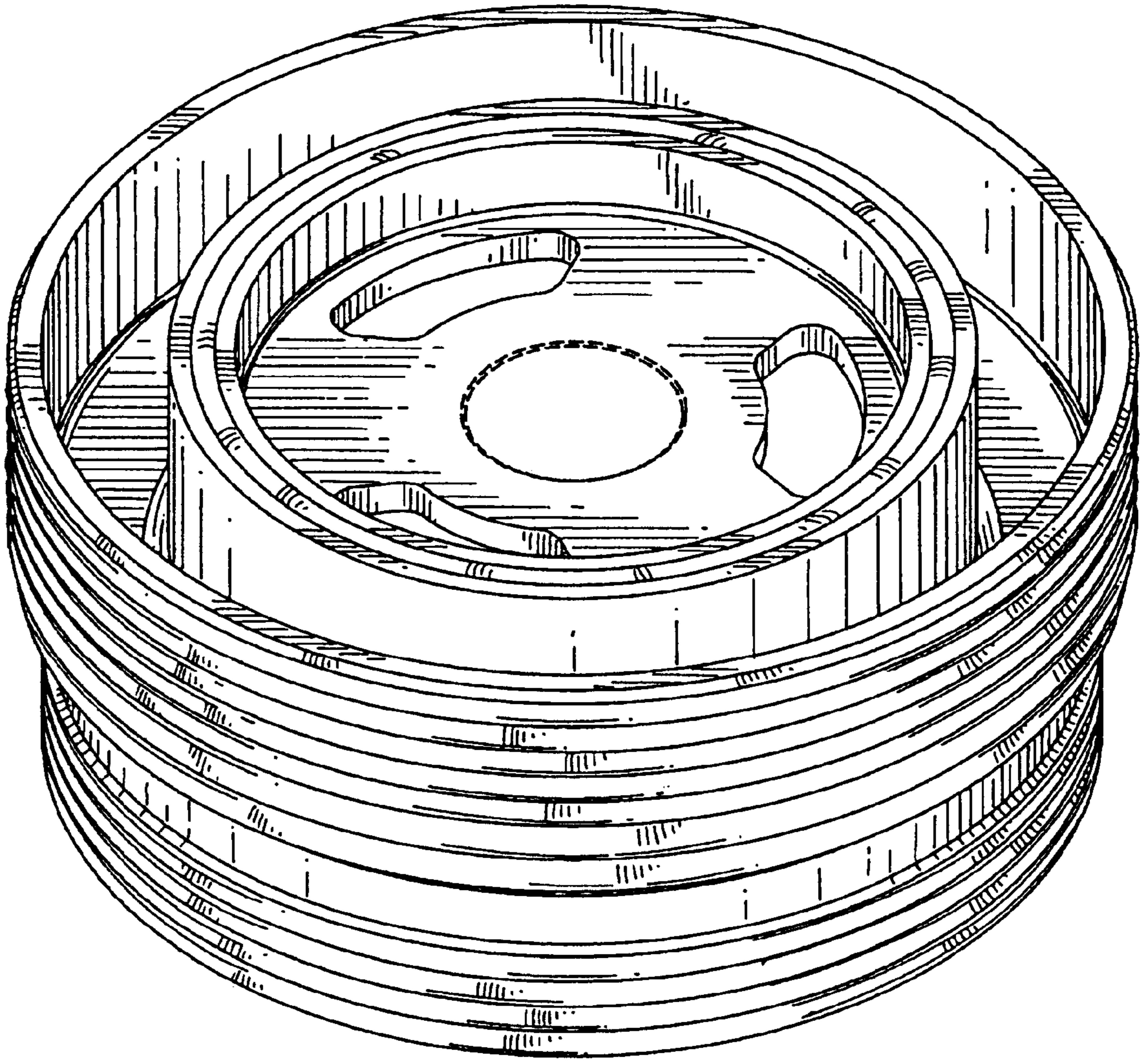


FIG. 5