



US00D459197S

(12) **United States Design Patent**
Hodjat

(10) **Patent No.:** **US D459,197 S**

(45) **Date of Patent:** **** Jun. 25, 2002**

(54) **DAMPER PULLEY**

(75) **Inventor:** **Yahya Hodjat, Oxford, MI (US)**

(73) **Assignee:** **The Gates Corporation, Denver, CO (US)**

(**) **Term:** **14 Years**

(21) **Appl. No.:** **29/142,167**

(22) **Filed:** **May 18, 2001**

(51) **LOC (7) Cl.** **08-05**

(52) **U.S. Cl.** **D8/360**

(58) **Field of Search** D8/354, 356, 360,
D8/355; D23/386; 72/82; 29/892.1, 892.11,
892.2, 892.3; 474/94, 166, 168, 169, 170,
171, 174, 175, 176, 177, 178, 902, 903,
179, 180, 181, 182, 183, 184, 190

(56) **References Cited**

U.S. PATENT DOCUMENTS

75,735 A *	3/1868	Collins et al.	474/177
2,352,474 A *	6/1944	Firth et al.	474/176
2,413,817 A *	1/1947	Firth	474/177
2,646,689 A *	7/1953	Maher	474/168
D267,472 S	1/1983	Kanemitsu	D8/360
4,473,363 A *	9/1984	McCutchan, Jr.	474/168
D297,707 S *	9/1988	Kanemitsu	D8/360
4,824,422 A *	4/1989	Jocic	474/902

D317,709 S	6/1991	Kanemitsu	D8/360
D320,927 S	10/1991	Kanemitsu	D8/360
D322,553 S *	12/1991	Kanemitsu	D8/360
D347,378 S	5/1994	Warner	D8/360
5,465,485 A *	11/1995	Miyake et al.	474/178
5,507,698 A *	4/1996	Kuribayashi	474/177
5,540,626 A *	7/1996	Asai et al.	474/94
5,591,093 A *	1/1997	Asai et al.	474/94

* cited by examiner

Primary Examiner—Doris V. Coles

Assistant Examiner—Elizabeth A. Albert

(74) *Attorney, Agent, or Firm*—J. A. Thurnau, Esq.; C. H. Castleman, Esq.; S. G. Austin, Esq.

(57) **CLAIM**

The ornamental design for a damper pulley, as shown and described.

DESCRIPTION

FIG. 1 is a front elevation view.

FIG. 2 is a sectional view along lines 2—2 in FIG. 1.

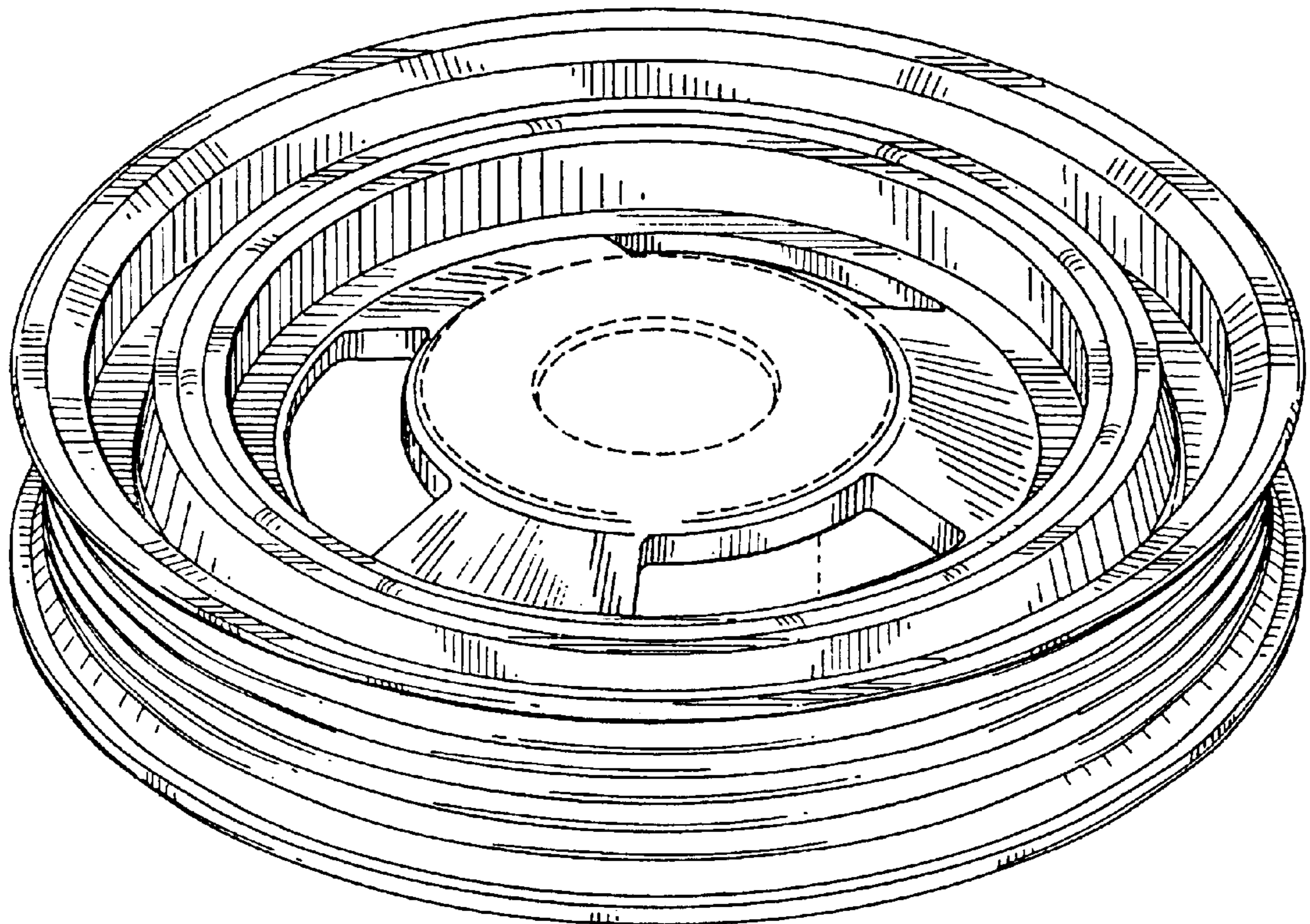
FIG. 3 is a side elevation view.

FIG. 4 is a rear elevation view; and,

FIG. 5 is a perspective front view.

The broken lines showing the central hub area in FIGS. 1, 2, 3, 4 and 5 of the drawings are for illustrative purposes only and form no part of the claimed design.

1 Claim, 2 Drawing Sheets



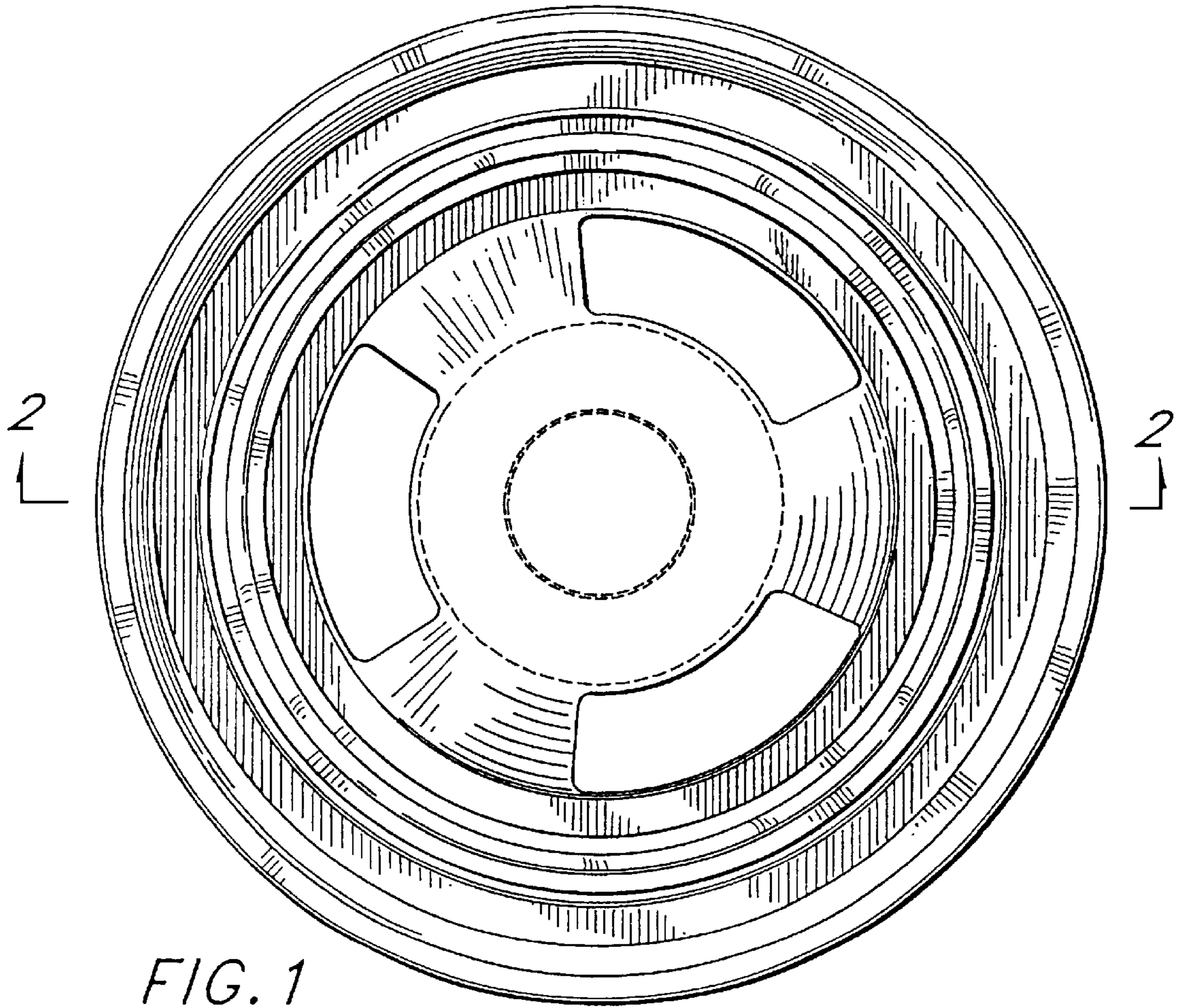


FIG. 1

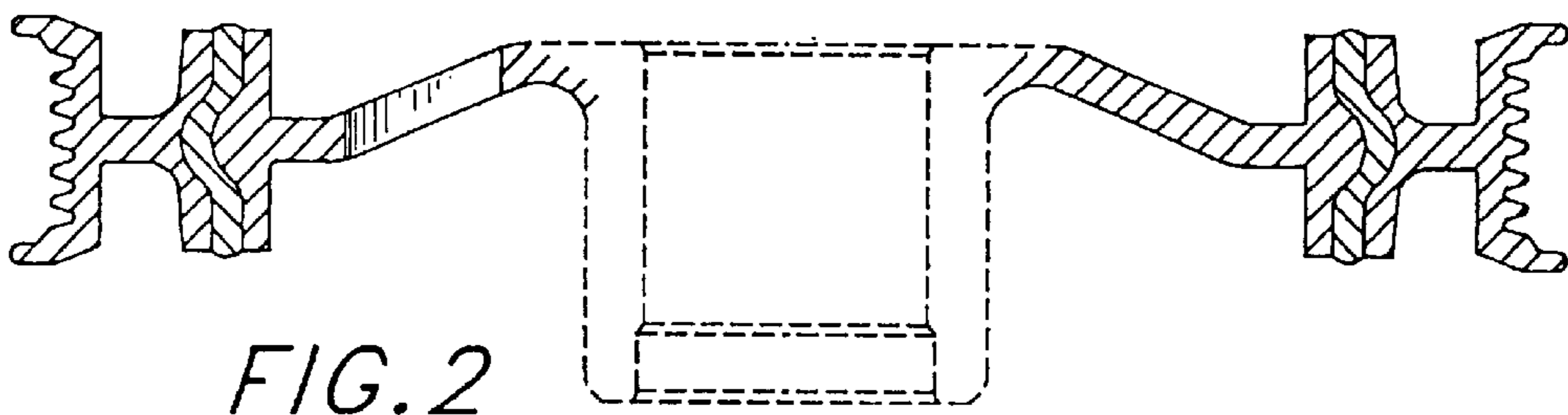


FIG. 2

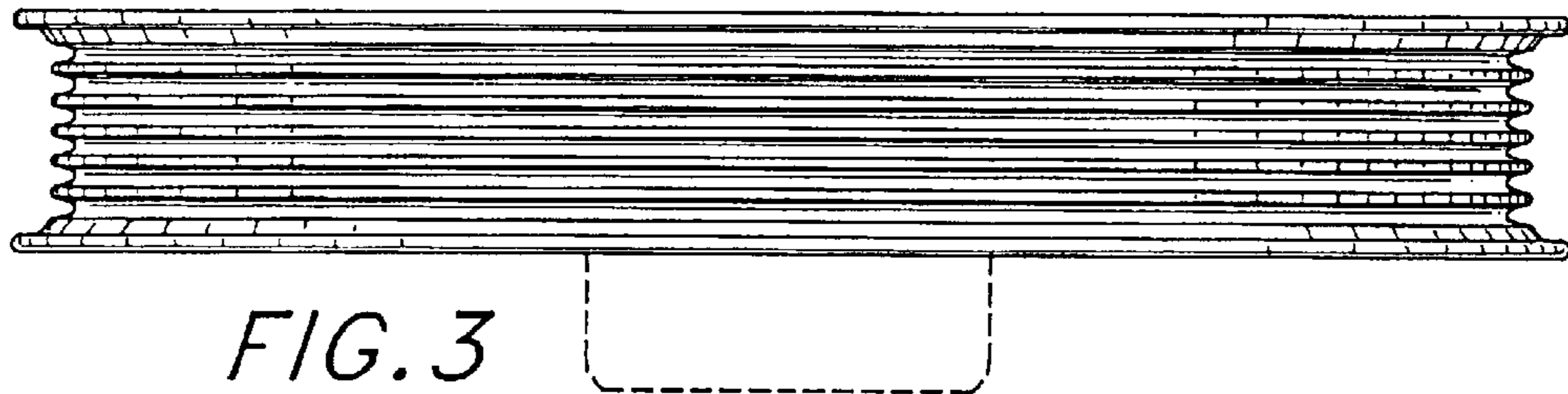


FIG. 3

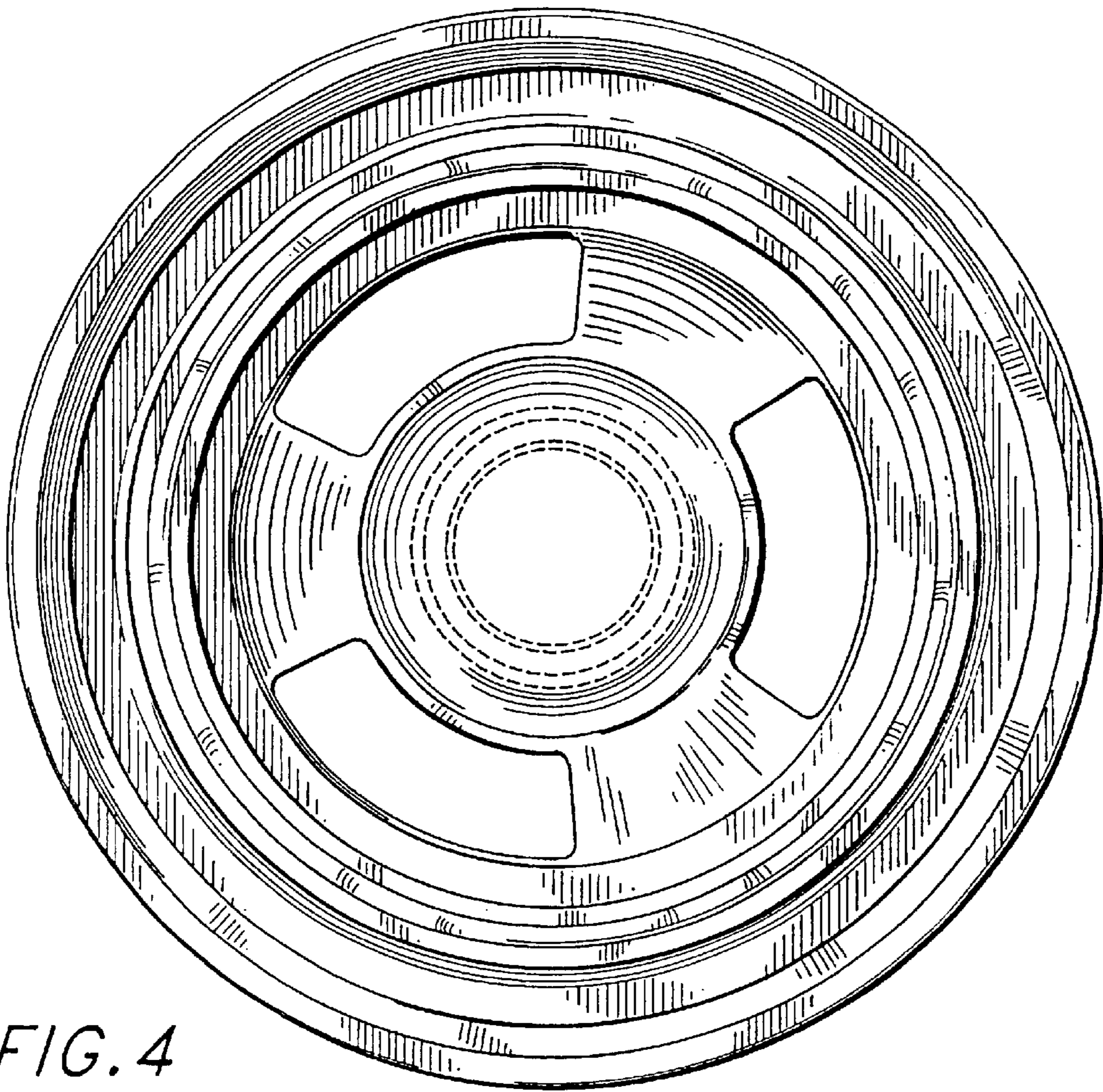


FIG. 4

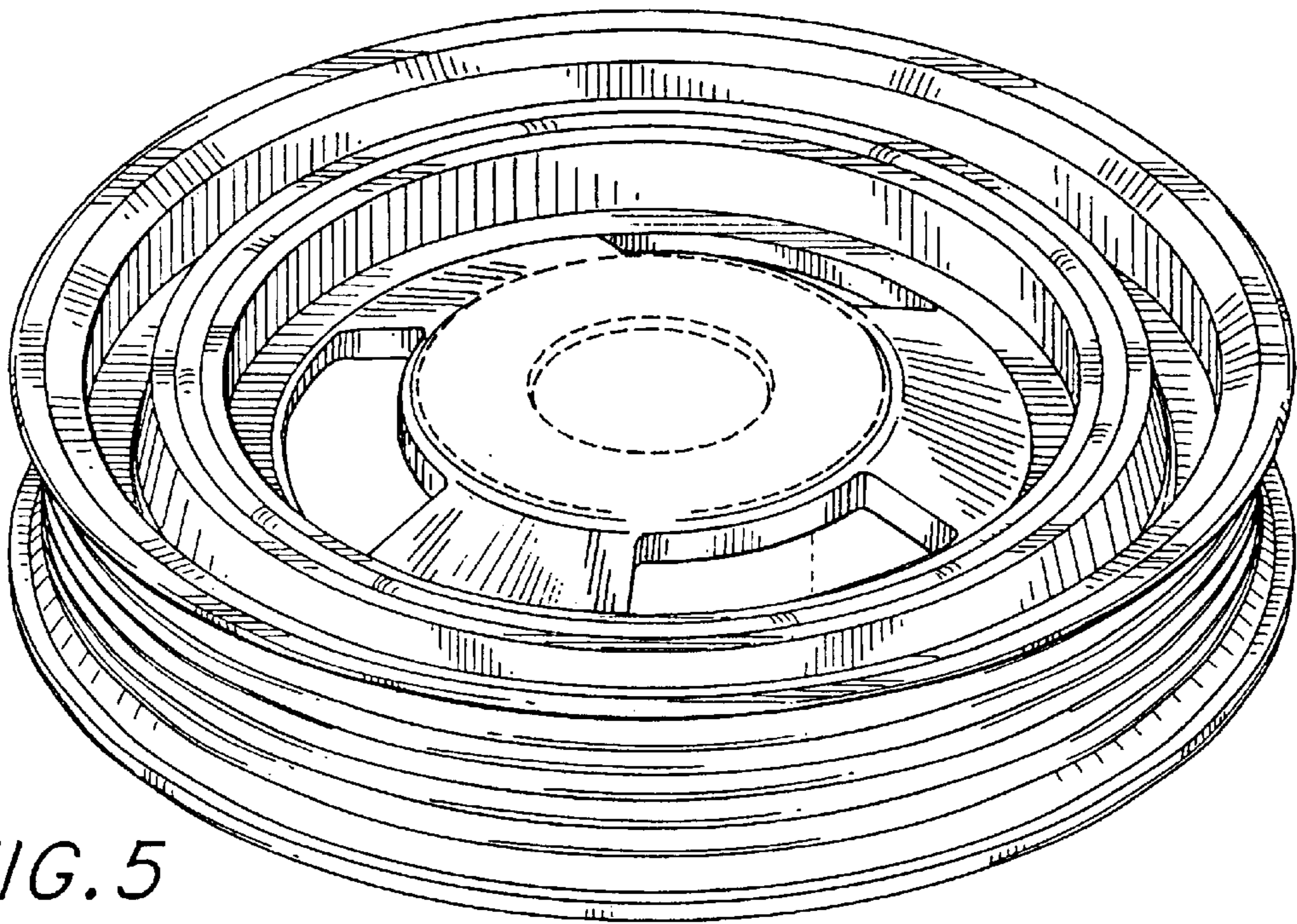


FIG. 5