



US00D459195S

(12) **United States Design Patent**
Moutrey

(10) **Patent No.:** **US D459,195 S**

(45) **Date of Patent:** **** Jun. 25, 2002**

(54) **CABLE RETAINER**

(75) Inventor: **Julian Moutrey**, County Durham (GB)

(73) Assignee: **Black & Decker, Inc.**, Newark, DE (US)

(**) Term: **14 Years**

(21) Appl. No.: **29/132,443**

(22) Filed: **Nov. 9, 2000**

(30) **Foreign Application Priority Data**

May 12, 2000 (GB) 2092780

(51) **LOC (7) Cl.** **08-05**

(52) **U.S. Cl.** **D8/358**

(58) **Field of Search** D8/358, 359; 191/12.2 R, 191/12.4; 242/371, 379, 388.1, 395, 396.1, 398, 399, 402, 404, 405.3; 439/501

(56) **References Cited**

U.S. PATENT DOCUMENTS

D228,117 S * 8/1973 Turner D8/359
D294,915 S * 3/1988 Alonso D8/358

D353,990 S * 1/1995 Alfreds D8/356
D361,712 S * 8/1995 Sauber D8/356
D401,559 S * 11/1998 Angell D13/154

* cited by examiner

Primary Examiner—Doris V. Coles

Assistant Examiner—Elizabeth A. Albert

(74) *Attorney, Agent, or Firm*—Ajay Gambhir

(57) **CLAIM**

The ornamental design for a cable retainer, as shown and described.

DESCRIPTION

FIG. 1 is a perspective front view of the cable retainer taken from the front and one side;

FIG. 2 is a front elevational view thereof;

FIG. 3 is a rear elevational view thereof;

FIG. 4 is a top plan thereof;

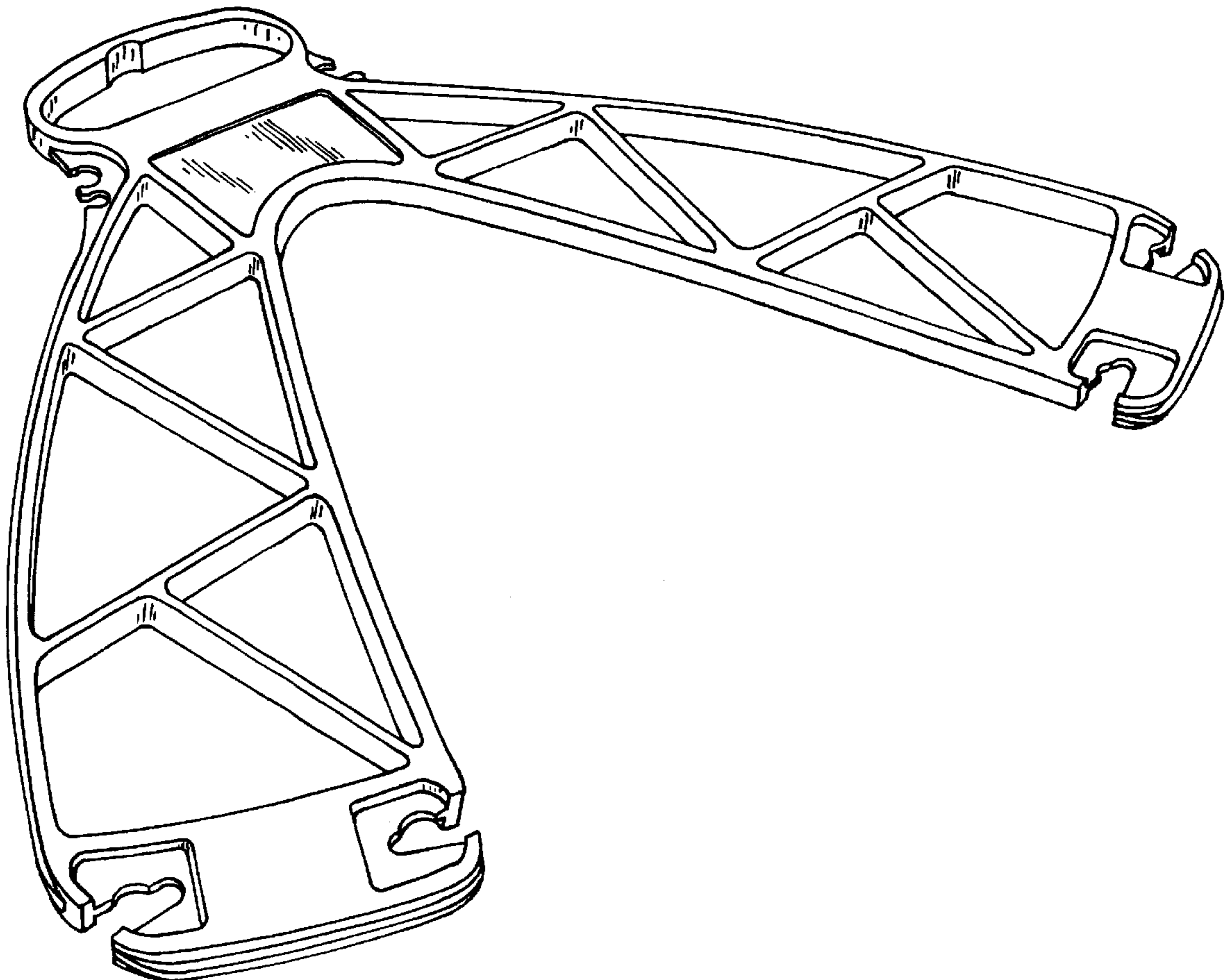
FIG. 5 is a bottom plan view thereof;

FIG. 6 is a side elevational view thereof;

FIG. 7 is a side elevational view thereof taken from the side opposite that illustrated in FIG. 6; and,

FIG. 8 is a rear perspective view thereof.

1 Claim, 6 Drawing Sheets



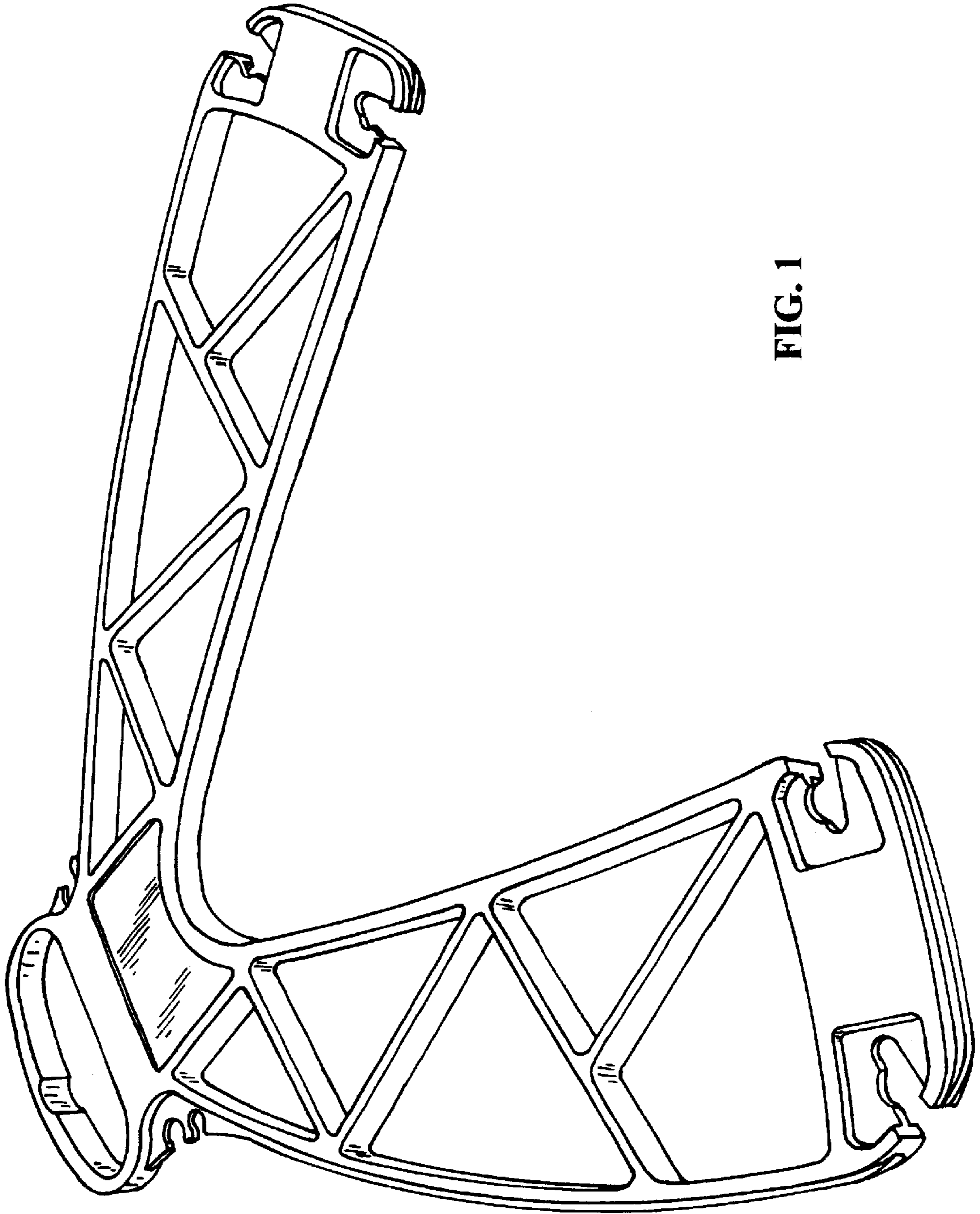


FIG. 1

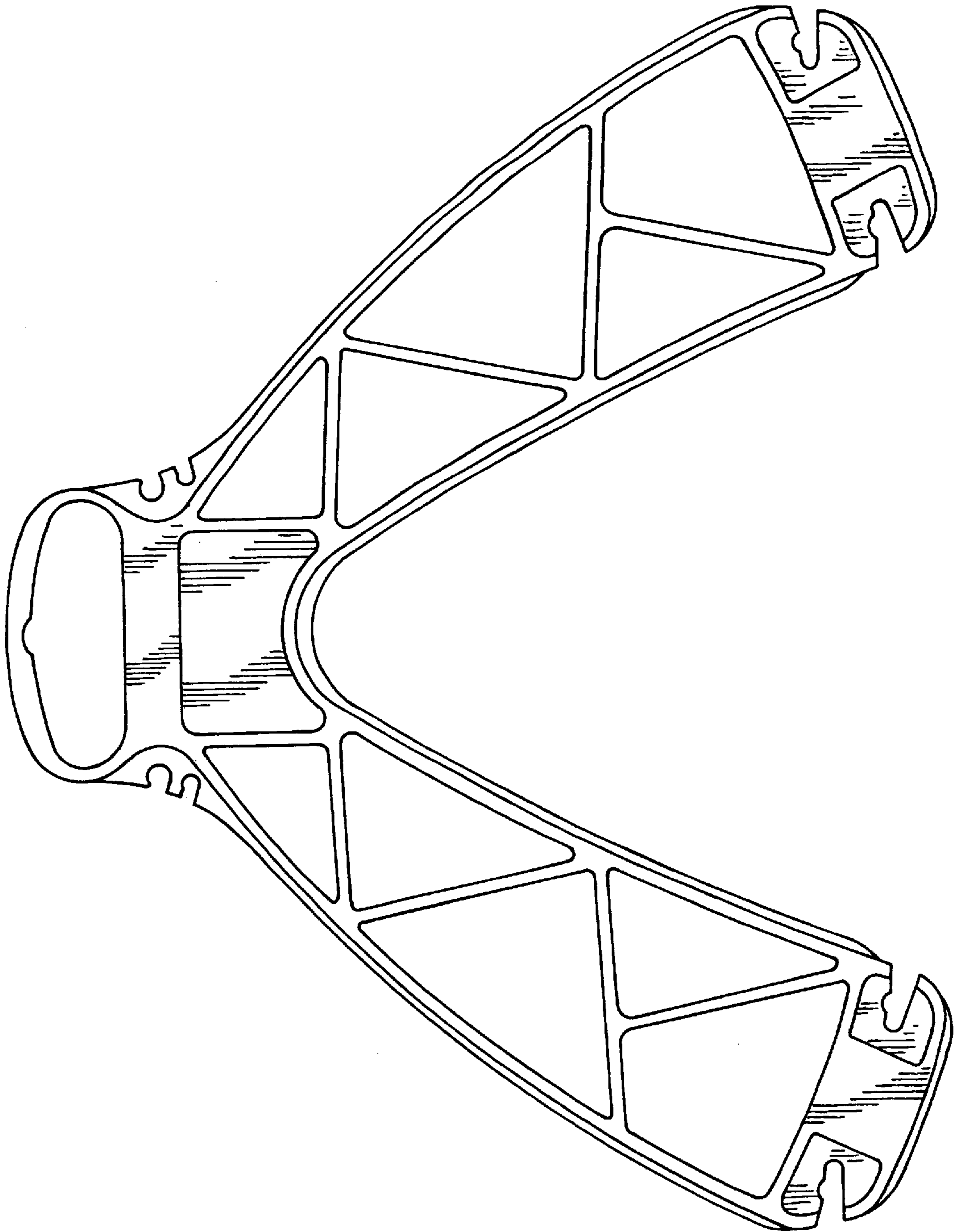


FIG. 2

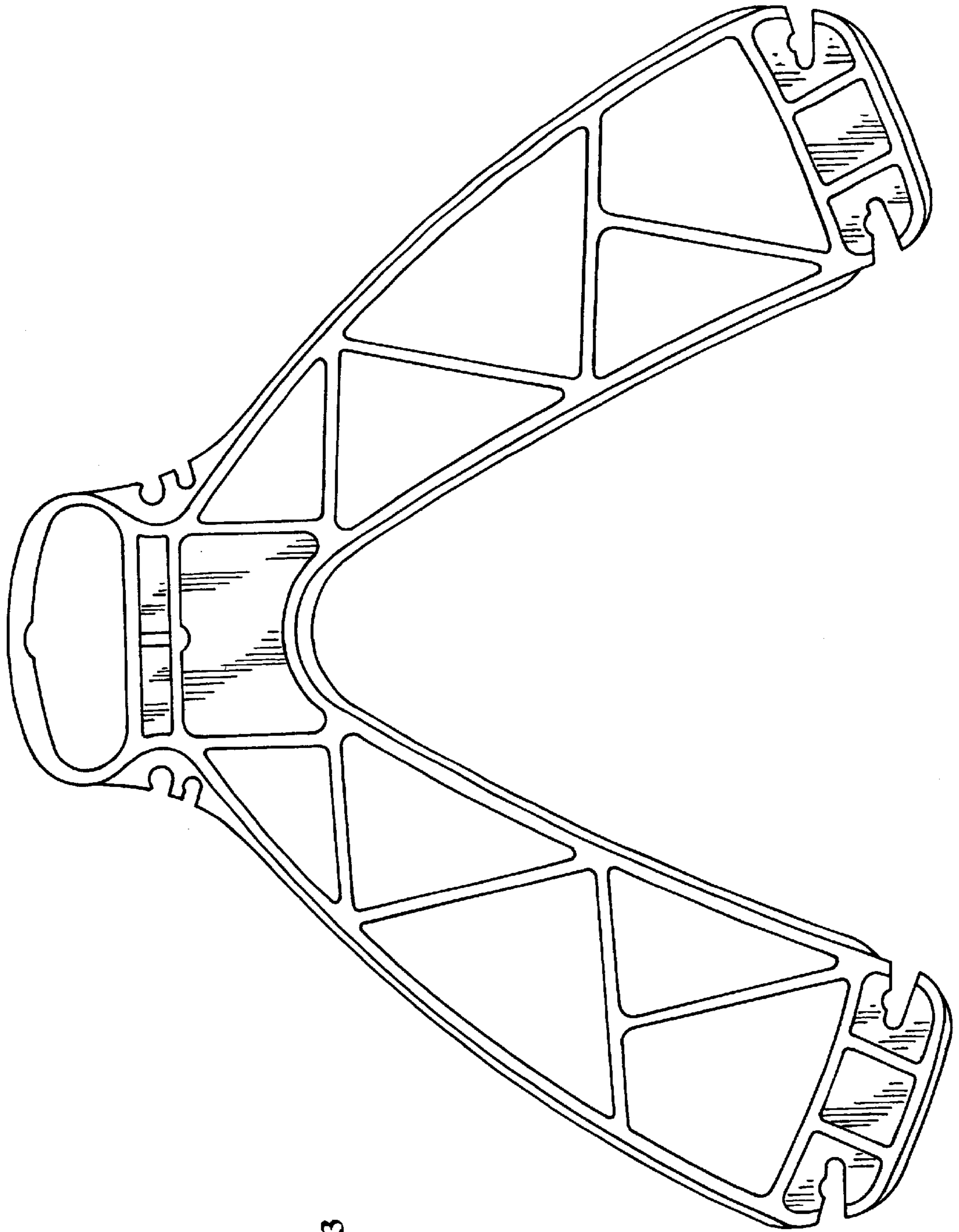


FIG. 3



FIG. 4



FIG. 5

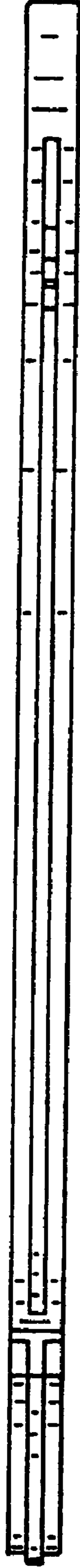


FIG. 6



FIG. 7

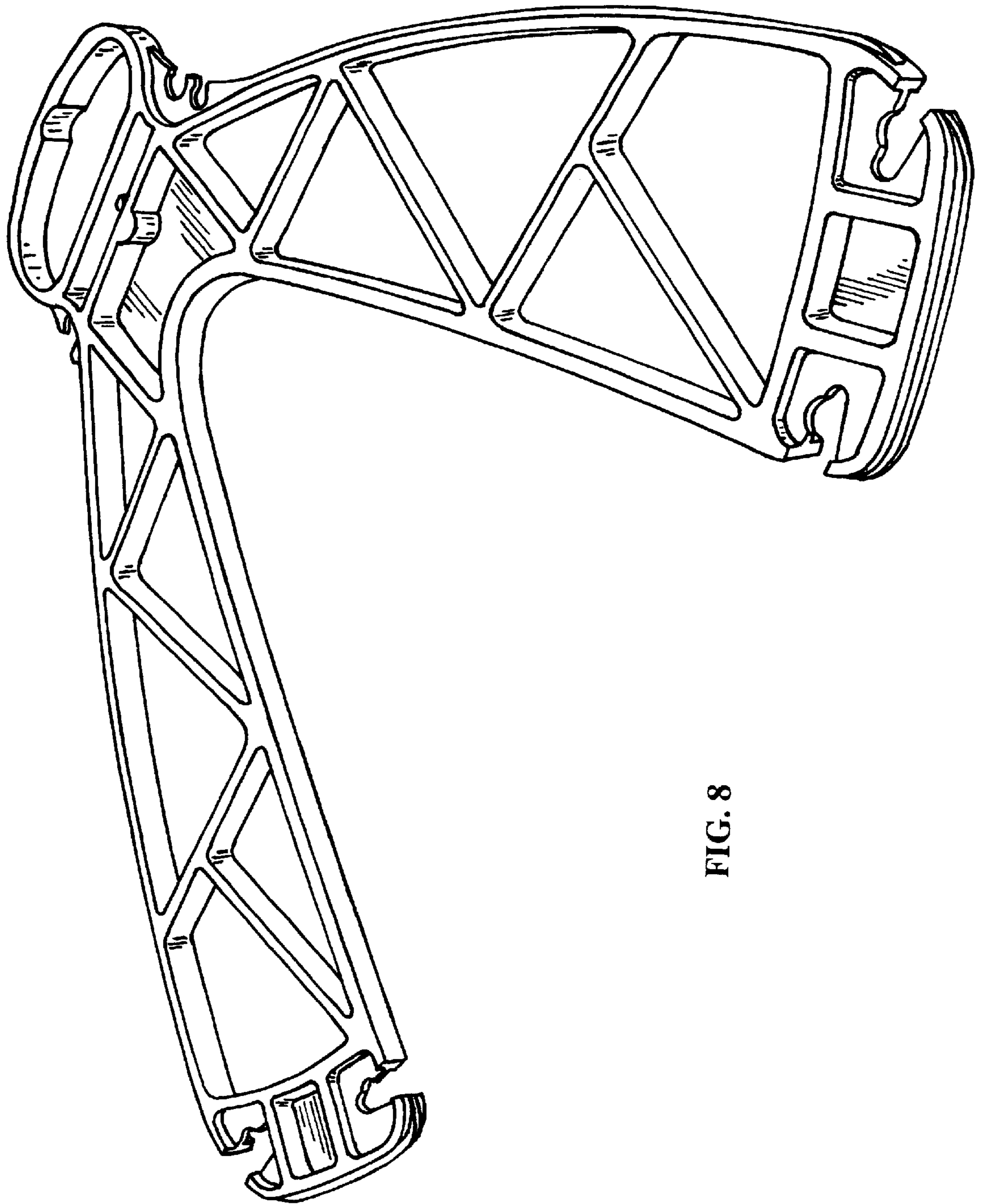


FIG. 8