



US00D459193S

(12) **United States Design Patent**
Vande Steeg et al.

(10) **Patent No.:** **US D459,193 S**
(45) **Date of Patent:** **** Jun. 25, 2002**

(54) **OUTER SURFACE OF A COVER FOR A CASEMENT WINDOW OPERATOR**

5,400,473 A * 3/1995 Delman 16/115
5,467,503 A * 11/1995 Nolte et al. 16/115
6,174,007 B1 * 1/2001 Schlack et al. 292/336.3

(75) Inventors: **David J. Vande Steeg**, Pella; **Andrew W. Middleswart**, Indianola; **Marlo G. Van Klompenburg**; **Bruce A. Baier**, both of Pella, all of IA (US); **Frank R. Wilgus**, Delaware, OH (US); **Gregory J. Vetter**, Owatonna, MN (US)

* cited by examiner

Primary Examiner—Brian N. Vinson
(74) *Attorney, Agent, or Firm*—Faegre & Benson, LLP

(73) Assignee: **Pella Corporation**, Pella, IA (US)

(**) Term: **14 Years**

(21) Appl. No.: **29/151,604**

(22) Filed: **Nov. 13, 2001**

Related U.S. Application Data

(63) Continuation of application No. 29/133,758, filed on Dec. 6, 2000, now Pat. No. Des. 452,999.

(51) **LOC (7) Cl.** **08-07**

(52) **U.S. Cl.** **D8/343**

(58) **Field of Search** D8/343, 344, 346;
16/115, 429, 900; 70/431, 451, 208, 209;
292/336.3, 337, 198, 200, 202, 210

(56) **References Cited**

U.S. PATENT DOCUMENTS

D347,569 S * 6/1994 Vetter et al. D8/400

1 Claim, 1 Drawing Sheet

(57) **CLAIM**

The ornamental design for a outer surface of a cover for a casement window operator, as shown and described.

DESCRIPTION

FIG. 1 is a top front perspective view of an outer surface of a cover for a casement window operator embodying our design in accordance with the present invention;

FIG. 2 is a top plan view thereof;

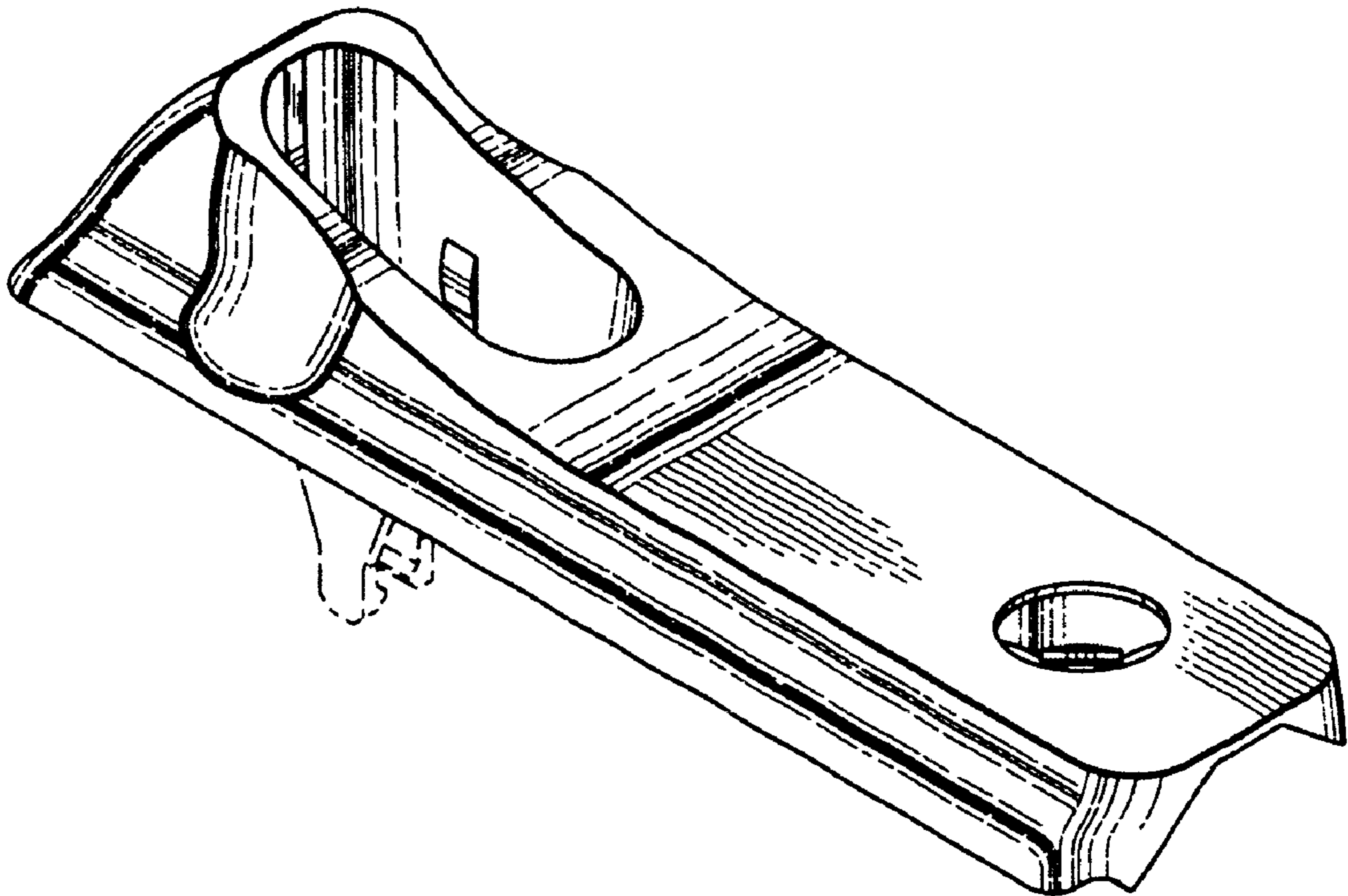
FIG. 3 is a side elevational view thereof;

FIG. 4 is an opposite side elevational view thereof;

FIG. 5 is an end elevational view thereof; and,

FIG. 6 is an opposite end elevational view thereof.

The broken lines are for illustrative purposes only and form no part of the claimed design.



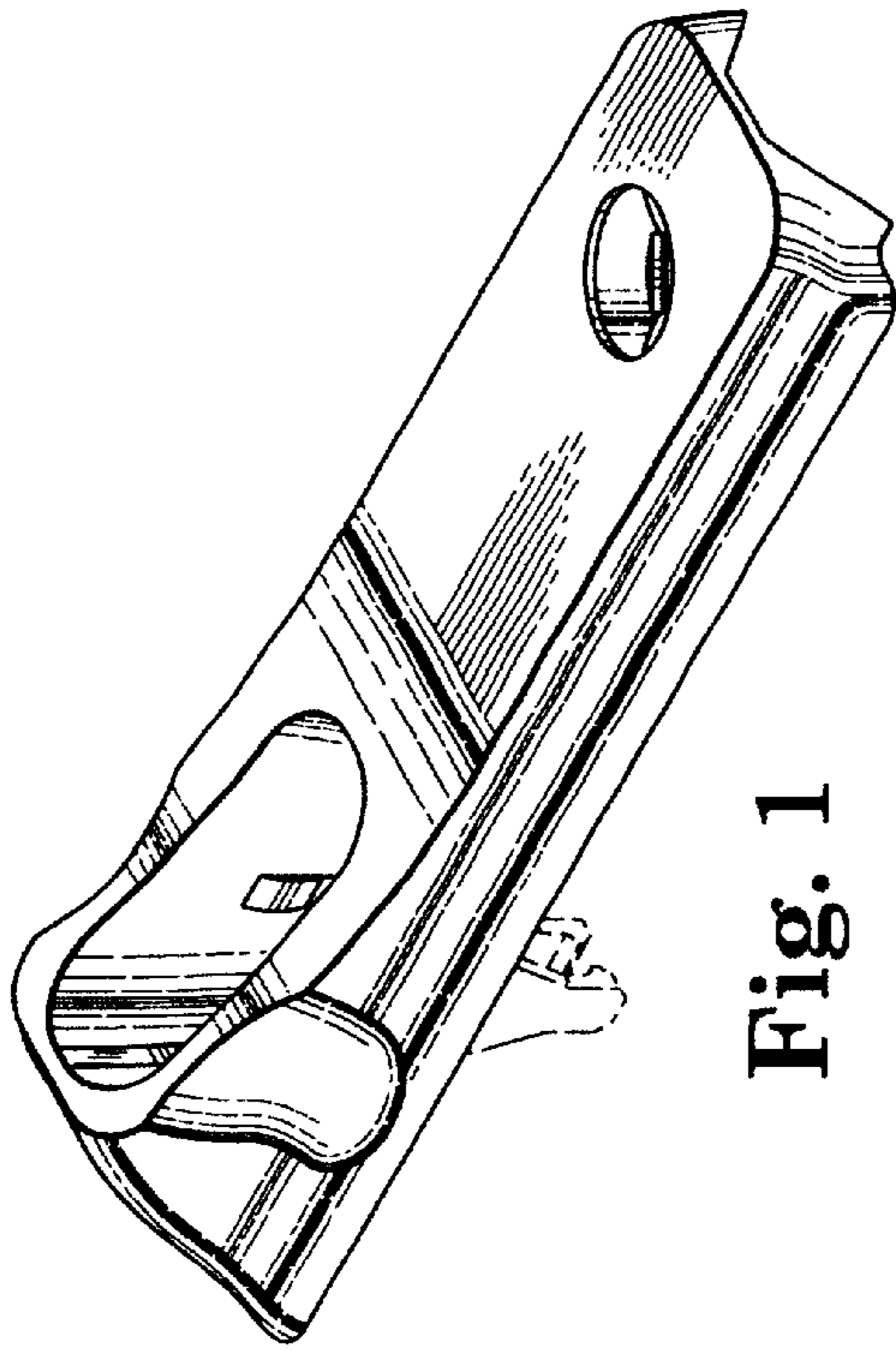


Fig. 1

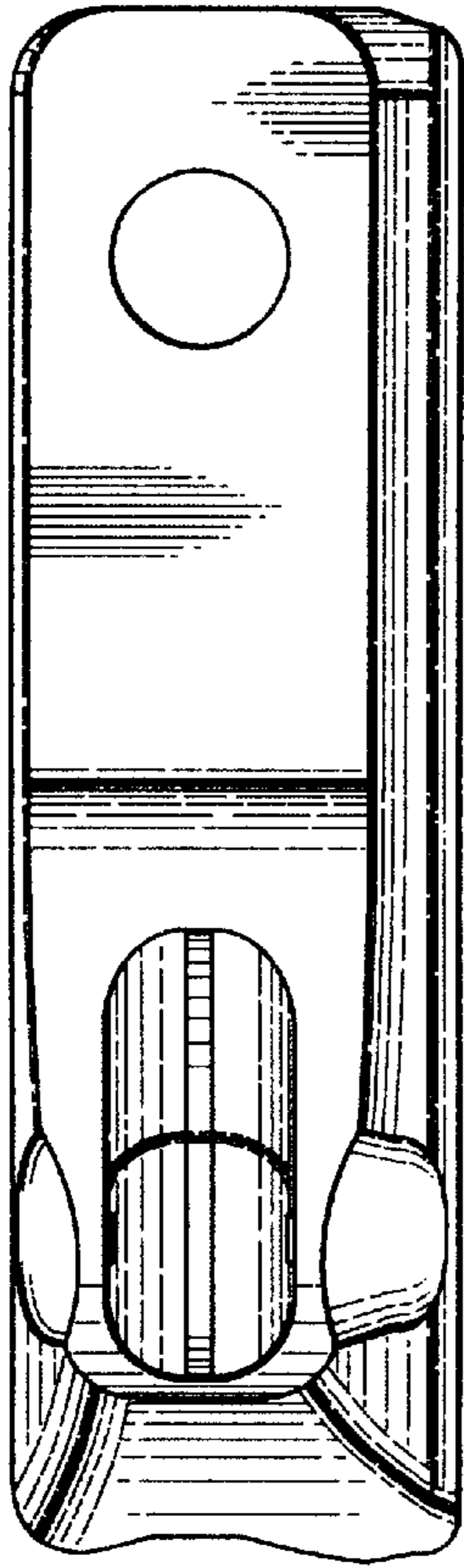


Fig. 2

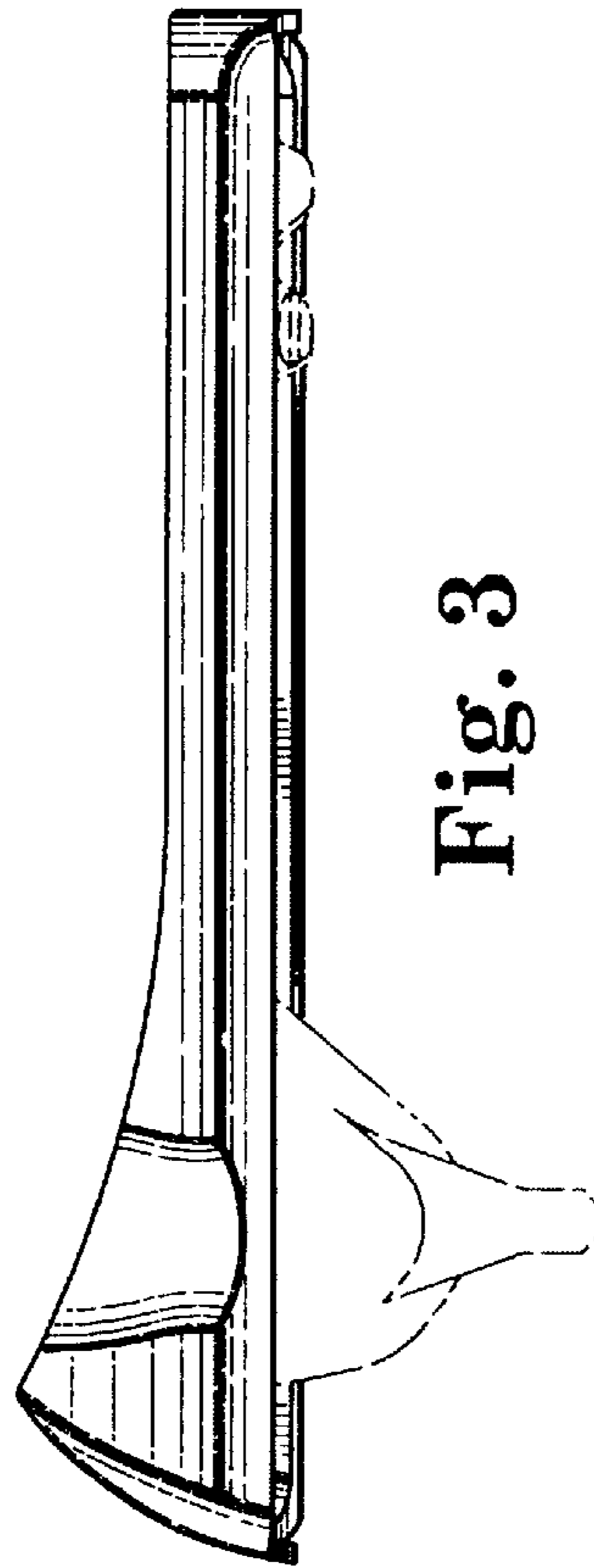


Fig. 3

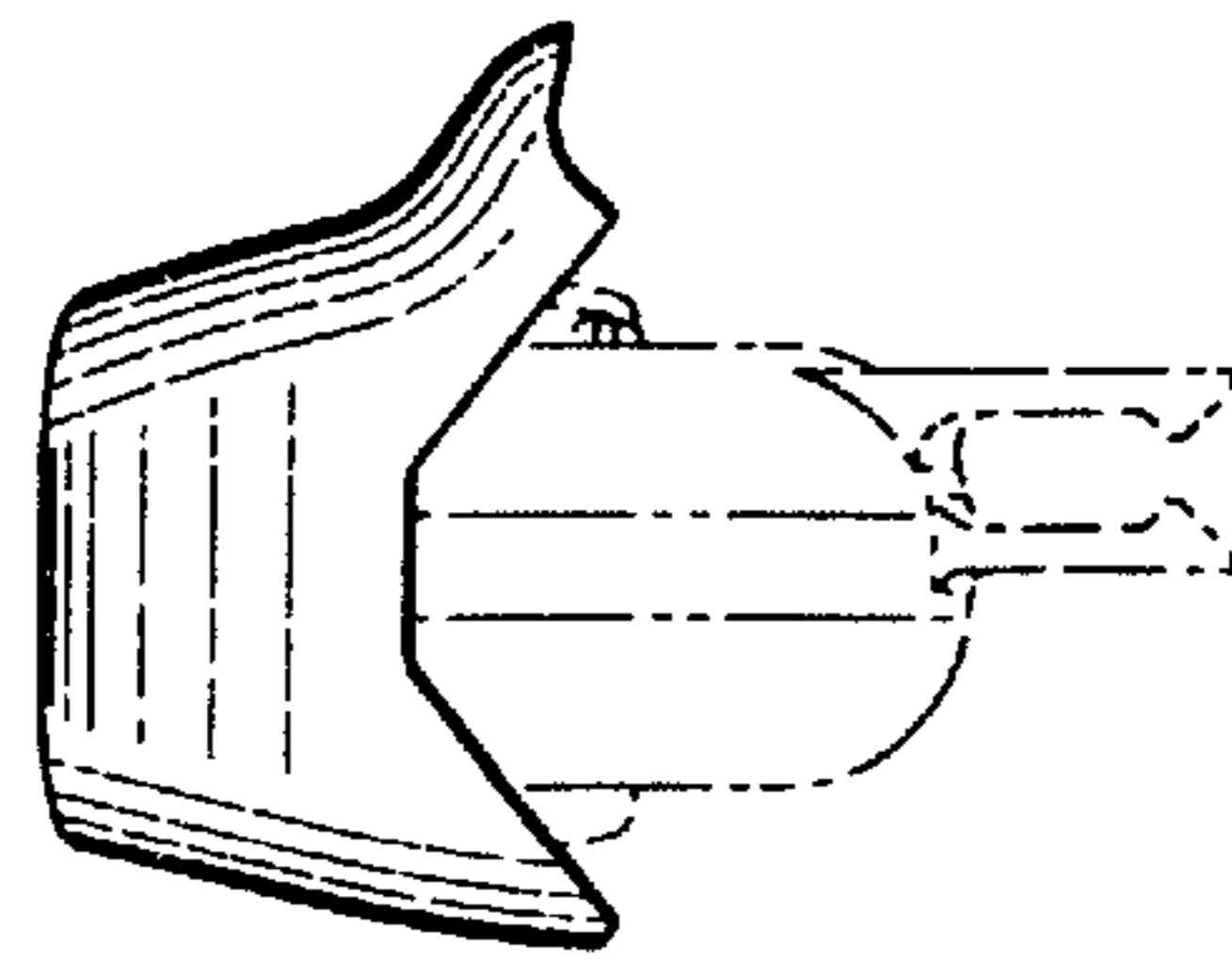


Fig. 5

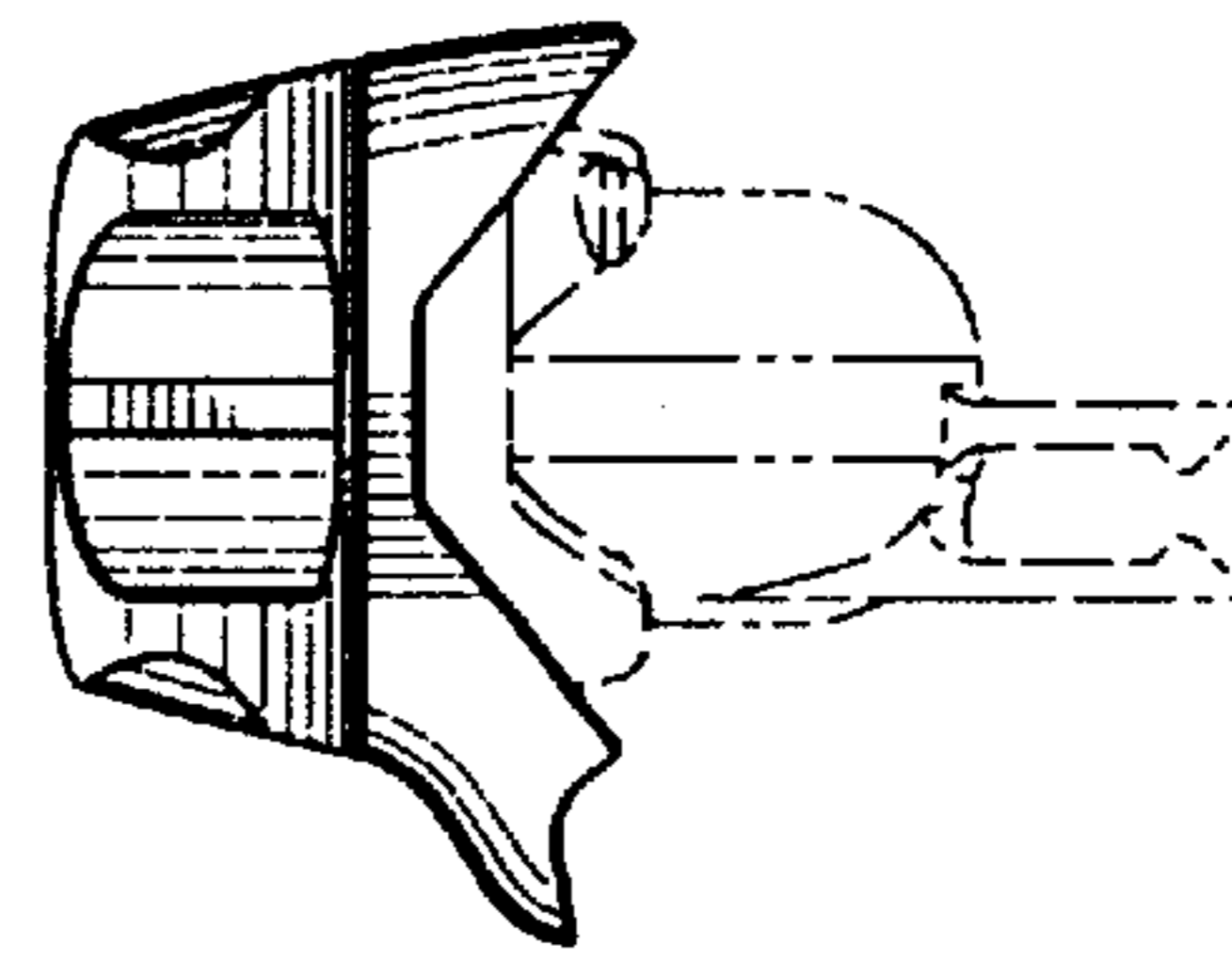


Fig. 6

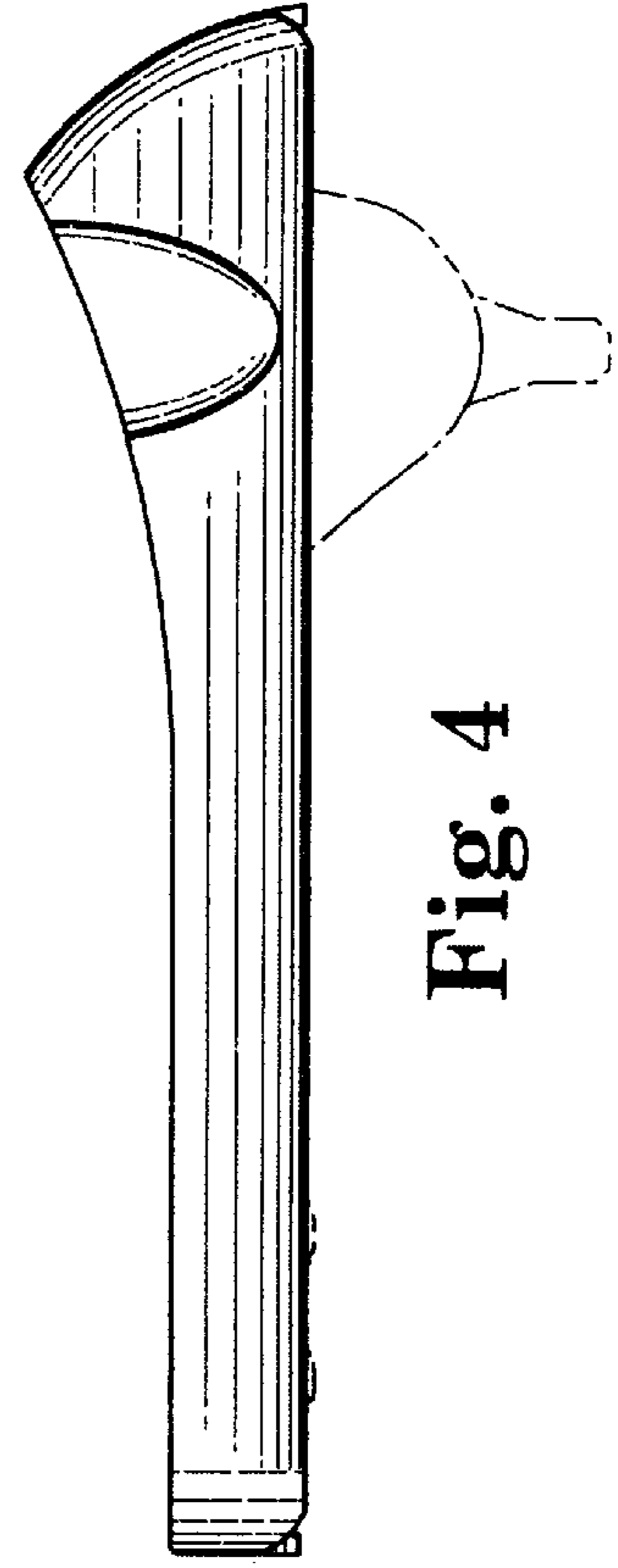


Fig. 4