



US00D459192S

(12) **United States Design Patent**  
**Weinerman et al.**

(10) **Patent No.:** **US D459,192 S**  
(45) **Date of Patent:** **\*\* Jun. 25, 2002**

(54) **LATCH HOUSING WITH PIVOTAL HANDLE**

(75) Inventors: **Lee S. Weinerman**, Medina; **Scott A. Arthurs**, Brunswick, both of OH (US)

(73) Assignee: **The Eastern Company**, Cleveland, OH (US)

(\*\*) Term: **14 Years**

(21) Appl. No.: **29/148,345**

(22) Filed: **Sep. 18, 2001**

(51) **LOC (7) Cl.** ..... **08-07**

(52) **U.S. Cl.** ..... **D8/338; D8/331**

(58) **Field of Search** ..... D8/330, 331, 336,  
D8/338, 343; 292/337, DIG. 30, DIG. 31,  
137; 70/91, 97, 99, 206, 77-79, 101, 102,  
210

(56) **References Cited**

**U.S. PATENT DOCUMENTS**

D119,418 S	3/1940	Anderson et al. ....	D8/306
2,744,406 A	5/1956	Labrie .....	70/96
D192,958 S	6/1962	Benson .....	D10/8
D210,153 S	2/1968	Pastva, Jr. ....	D50/5
3,389,932 A	6/1968	Pastva, Jr. ....	292/173
3,797,870 A	3/1974	Beckman .....	292/128
4,706,478 A *	11/1987	Swan et al. ....	70/210 X
D316,365 S	4/1991	Hansen et al. ....	D8/331
D317,398 S	6/1991	Hansen et al. ....	D8/336
D324,636 S *	3/1992	Schlack et al. ....	D8/331

(List continued on next page.)

**OTHER PUBLICATIONS**

Eberhard Mfg. Co, Division of The Eastern Company, Cleveland, OH Catalog 107 "Industrial, Vehicle & Specialty Hardware", 1996, p. 63-69 & Cover.

TH Marine Supplies, Inc., Huntsville, AL "Nautical Slam Latch" & "Recessed Lock and Recessed Latch" Printouts From www.THMarine.com, 2001 (2 pages).

Orcas Marine Products, Inc, Eastsound, WA, "Stainless Steel Marine Hardware" Printouts From www.orcasmarine.com, 2001 (7 pages).

*Primary Examiner*—Brian N. Vinson

(74) *Attorney, Agent, or Firm*—David A. Burge

(57) **CLAIM**

We claim the ornamental design for latch housing with pivotal handle, as shown and described.

**DESCRIPTION**

Reference is made to design application Ser. No. 29/148, 346, filed Sep. 18, 2001 by Lee S. Weinerman and Scott A. Arthurs entitled Front Portions of Latch Housing with Pivotal Handle which relates to "front portions" of the latch housing with pivotal handle embodiments that are the subject of the present application. The disclosure of said referenced application is incorporated herein by reference.

FIG. 1 is a perspective view showing front, left side and right end portions of one form of latch housing with pivotal handle embodying our new design;

FIG. 2 is a perspective view showing front, right side and left end portions thereof;

FIG. 3 is a top plan view thereof;

FIG. 4 is a right end elevational view thereof;

FIG. 5 is a bottom plan view thereof;

FIG. 6 is a left end elevational view thereof;

FIG. 7 is a right side elevational view thereof;

FIG. 8 is a left side elevational view thereof;

FIG. 9 is a perspective view showing front, left side and right end portions of another form of latch housing with pivotal handle embodying our new design;

FIG. 10 is a perspective view showing front, right side and left end portions thereof;

FIG. 11 is a top plan view thereof;

FIG. 12 is a right end elevational view thereof;

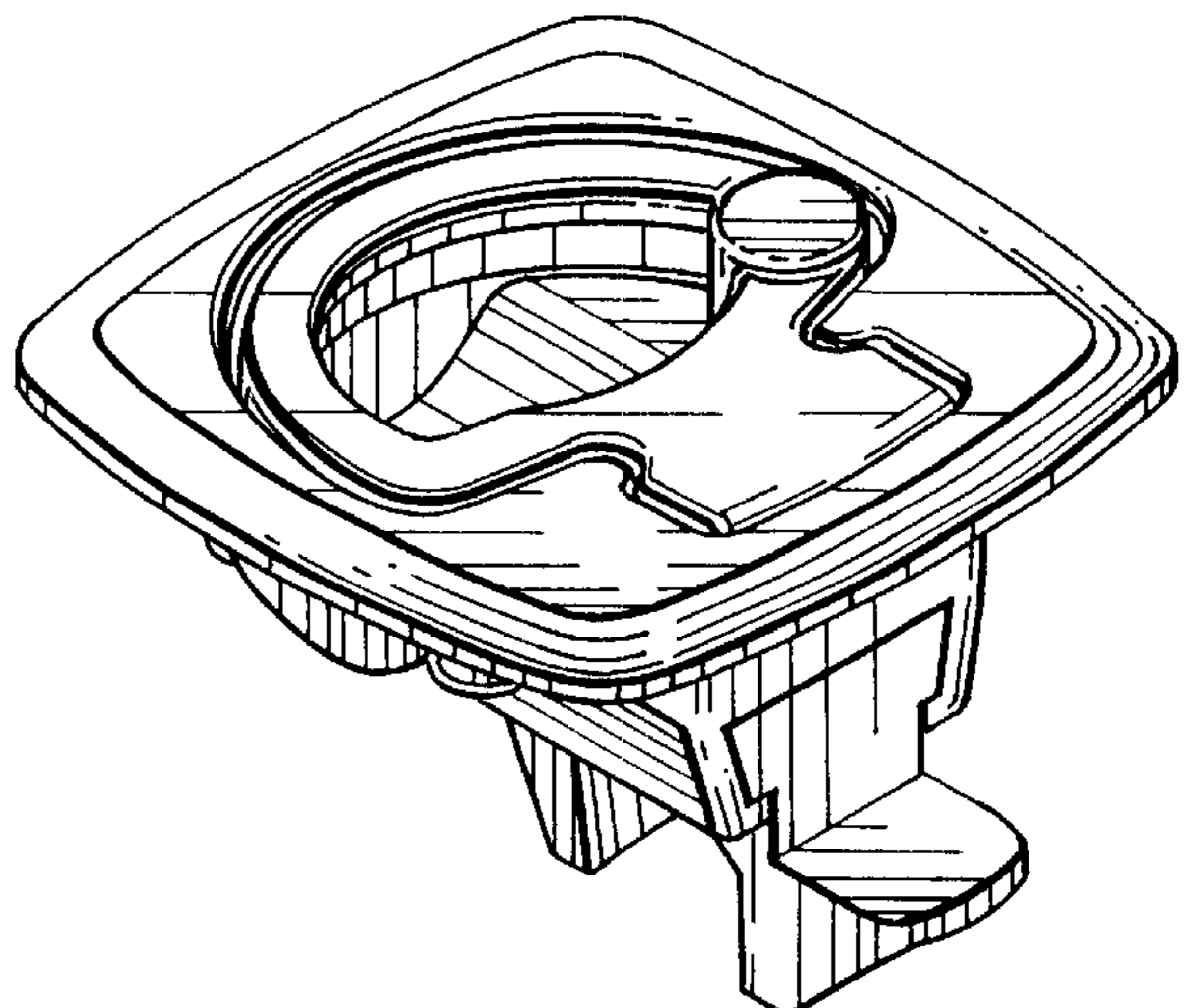
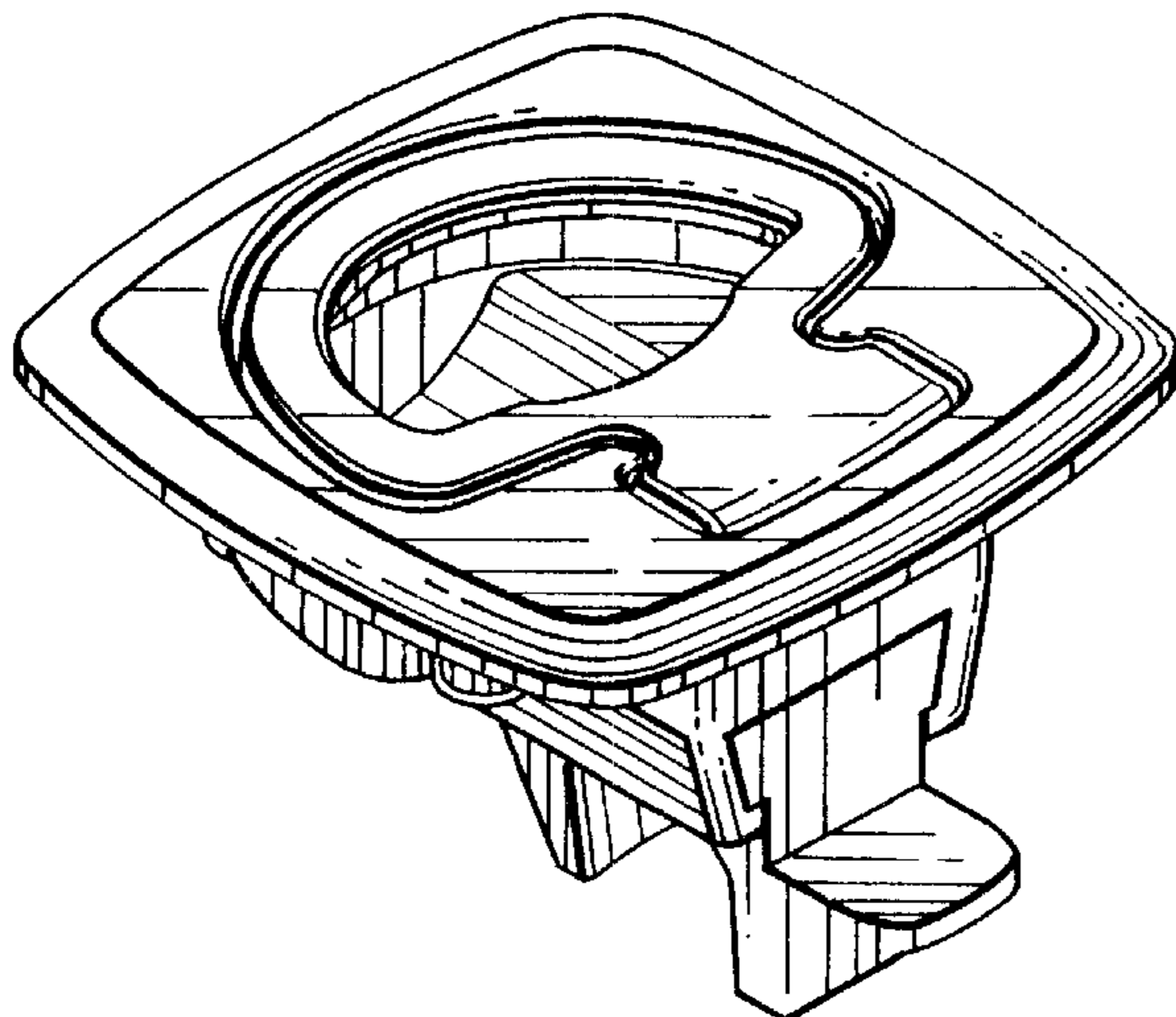
FIG. 13 is a bottom plan view thereof;

FIG. 14 is a left end elevational view thereof;

FIG. 15 is a right side elevational view thereof; and,

FIG. 16 is a left side elevational view thereof.

**1 Claim, 8 Drawing Sheets**



# US D459,192 S

Page 2

---

## U.S. PATENT DOCUMENTS

D328,231 S	*	7/1992	Hansen	.....	D8/338 X	5,904,385 A	5/1999	Linder	.....	292/336.3	
D357,396 S		4/1995	Ziemer et al.	.....	D8/331	5,913,908 A	6/1999	Czipri	.....	70/208	
D364,329 S		11/1995	Ziemer et al.	.....	D8/331	D413,056 S	*	8/1999	Sokurenko et al.	.....	D8/331
D370,620 S	*	6/1996	Ziemer	.....	D8/331 X	5,984,383 A	*	11/1999	Parikh et al.	....	292/DIG. 31 X
5,526,660 A	*	6/1996	Bennett et al.	.....	70/210 X	D427,882 S	*	7/2000	Wytcherley et al.	.....	D8/331
D389,393 S		1/1998	Hansen	.....	D8/310	D429,141 S		8/2000	Antonucci et al.	.....	D8/331
D390,770 S		2/1998	Burnley	.....	D8/331	D437,203 S		2/2001	Antonucci et al.	.....	D8/330
D393,197 S		4/1998	Burnley	.....	D8/331	D439,500 S		3/2001	Mirick	.....	D8/352
5,820,174 A	*	10/1998	Parikh et al.	....	292/DIG. 31 X	D442,844 S		5/2001	Mirick	.....	D8/301

\* cited by examiner

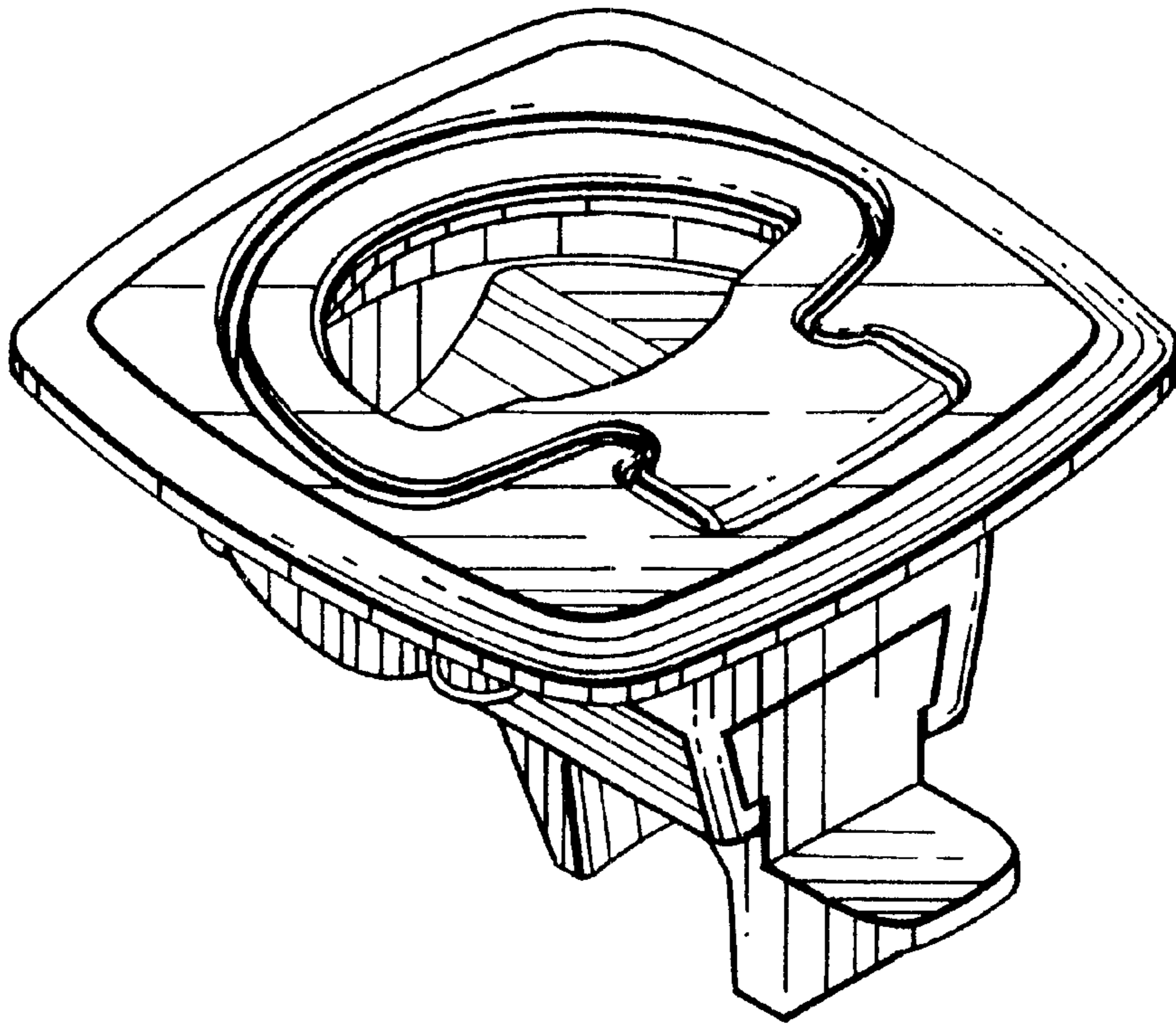


FIG. 1

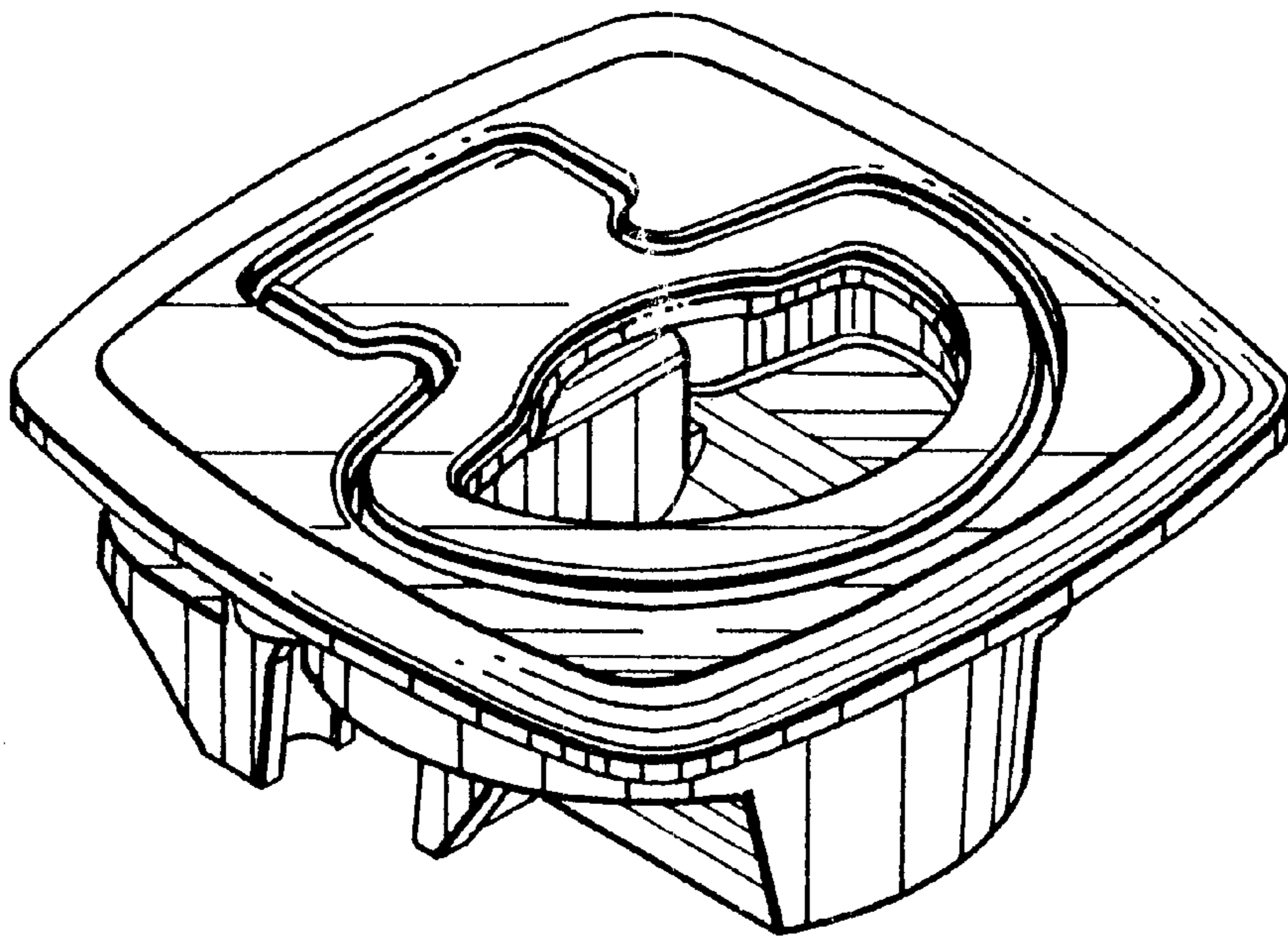


FIG. 2



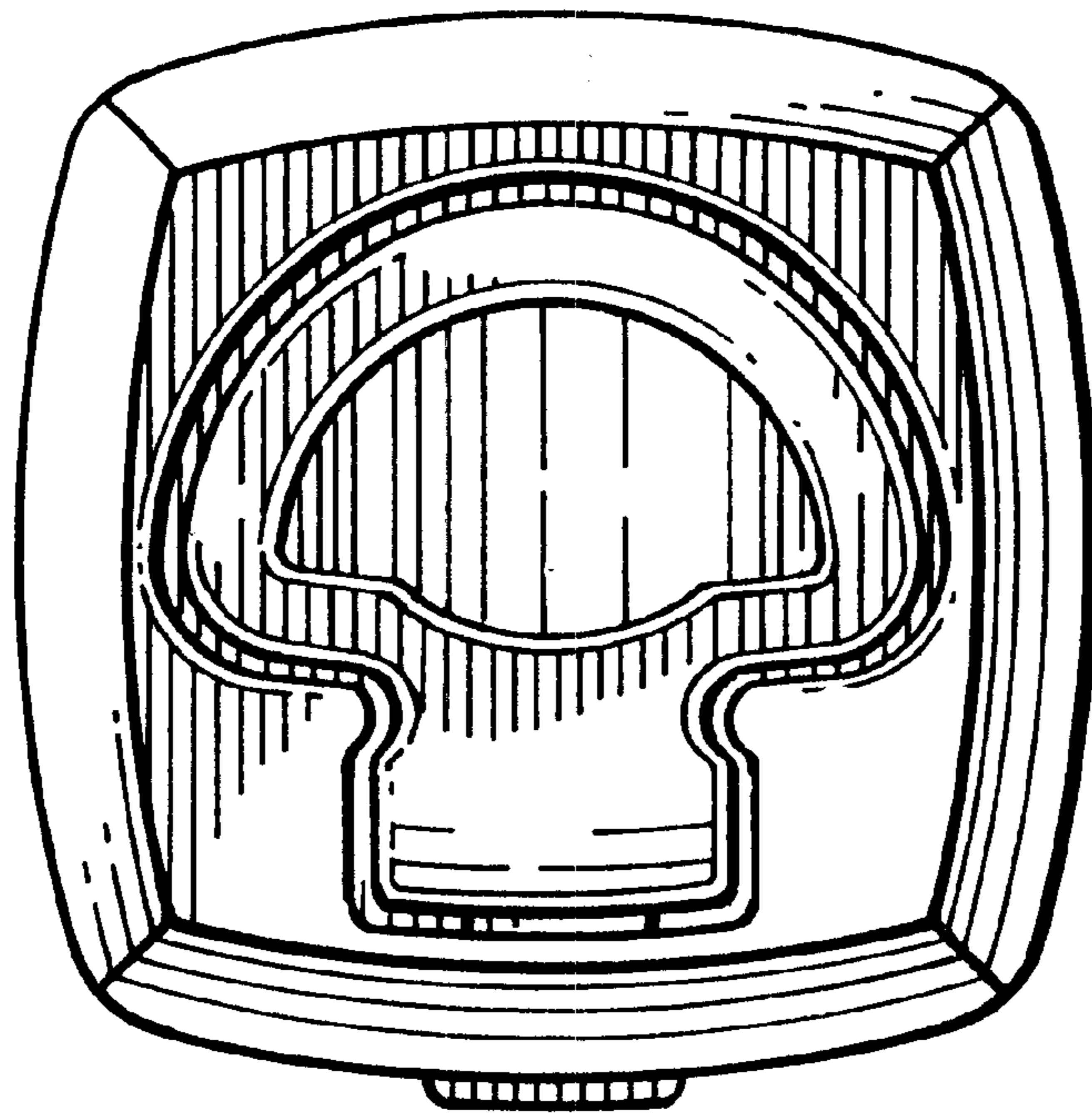


FIG. 3

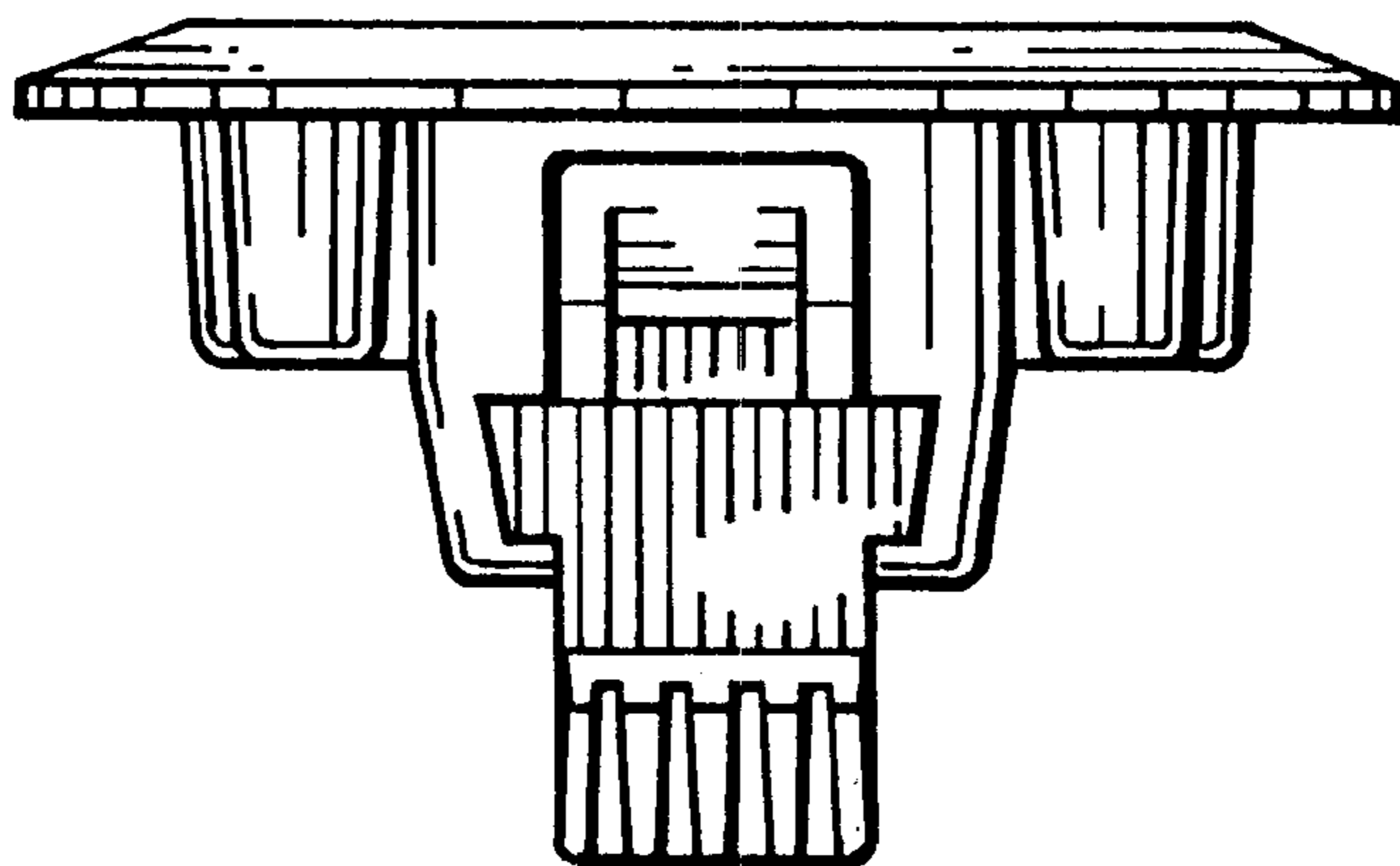


FIG. 4

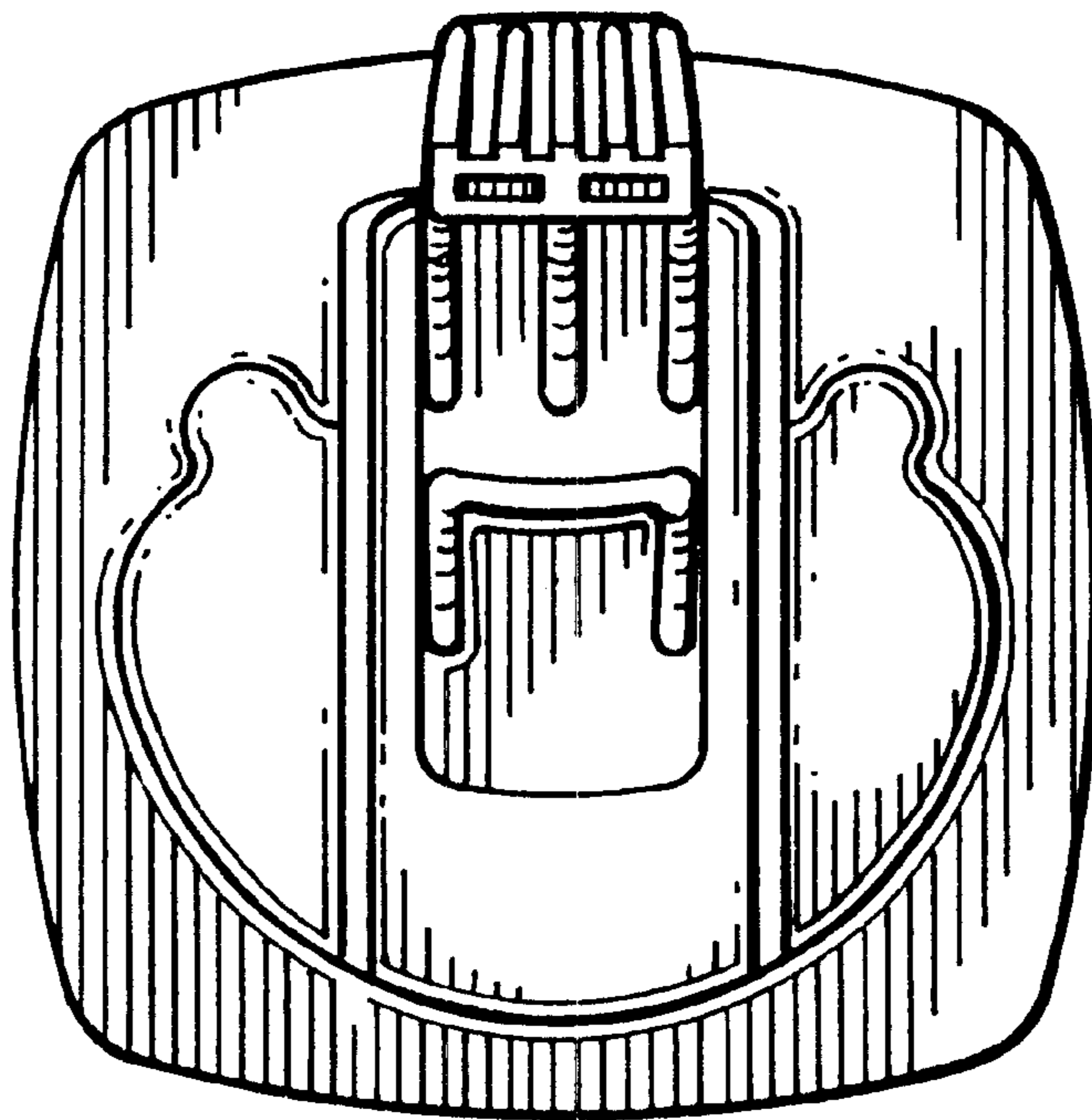


FIG. 5

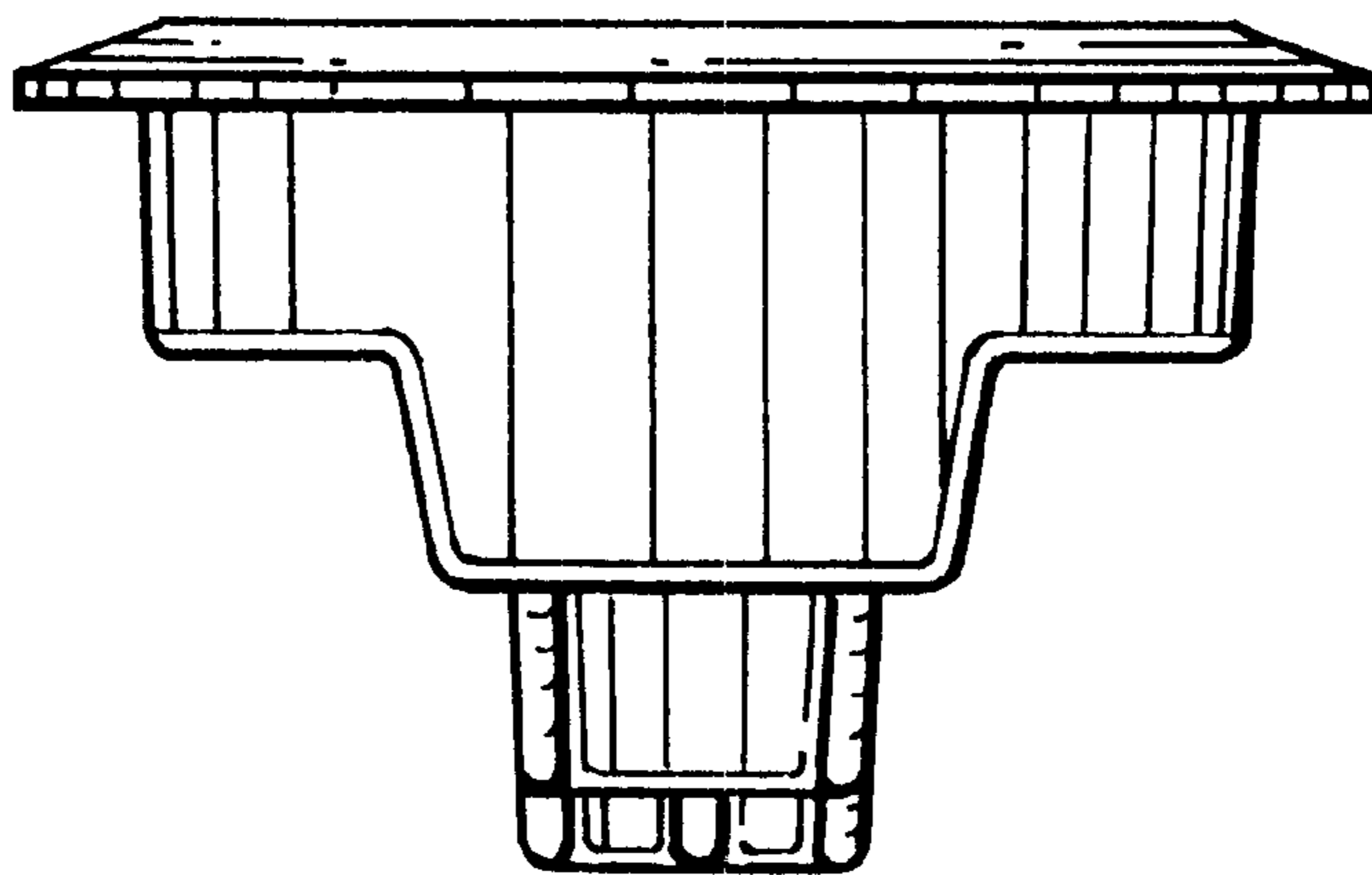


FIG. 6

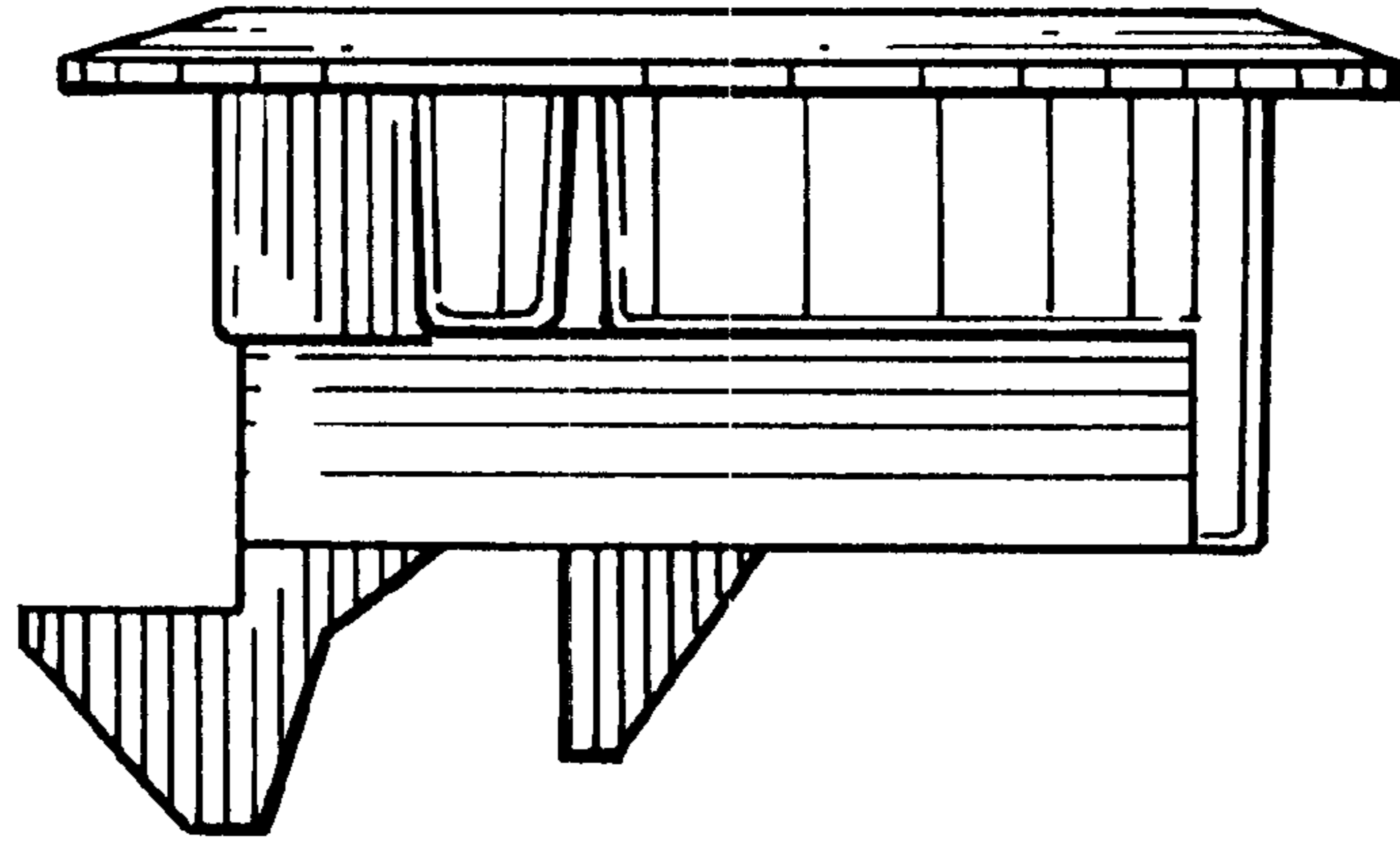


FIG. 7

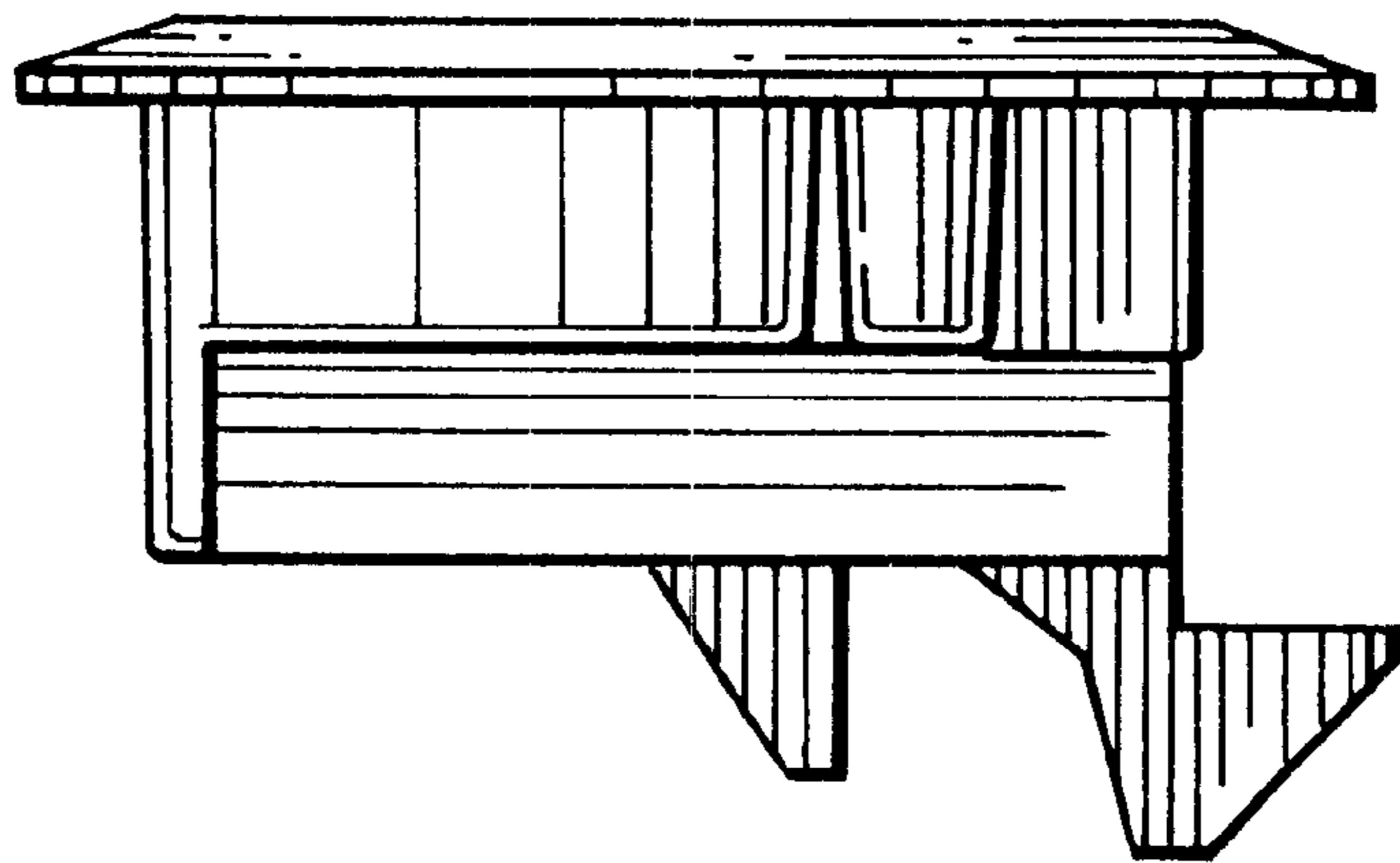


FIG. 8

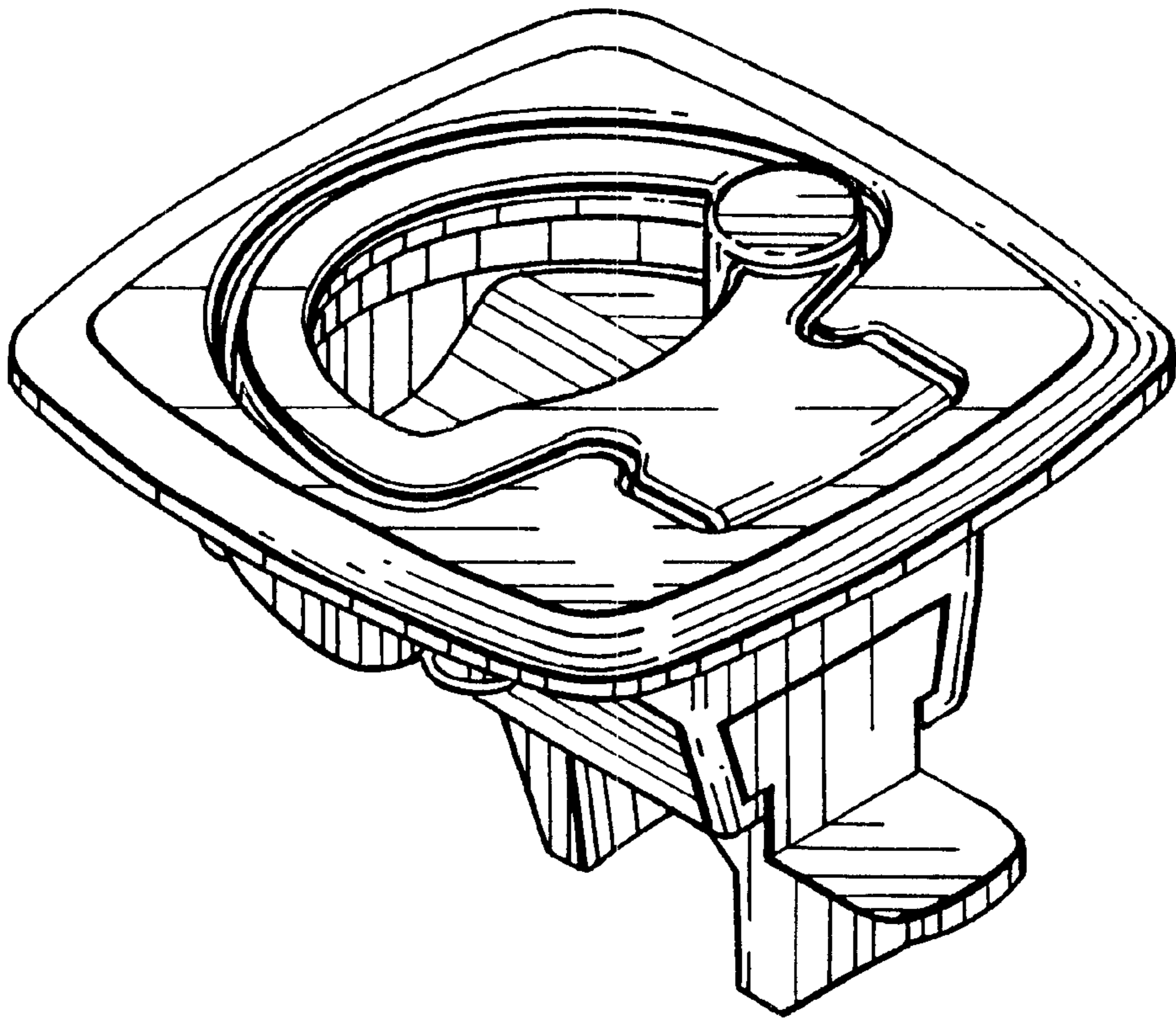


FIG. 9

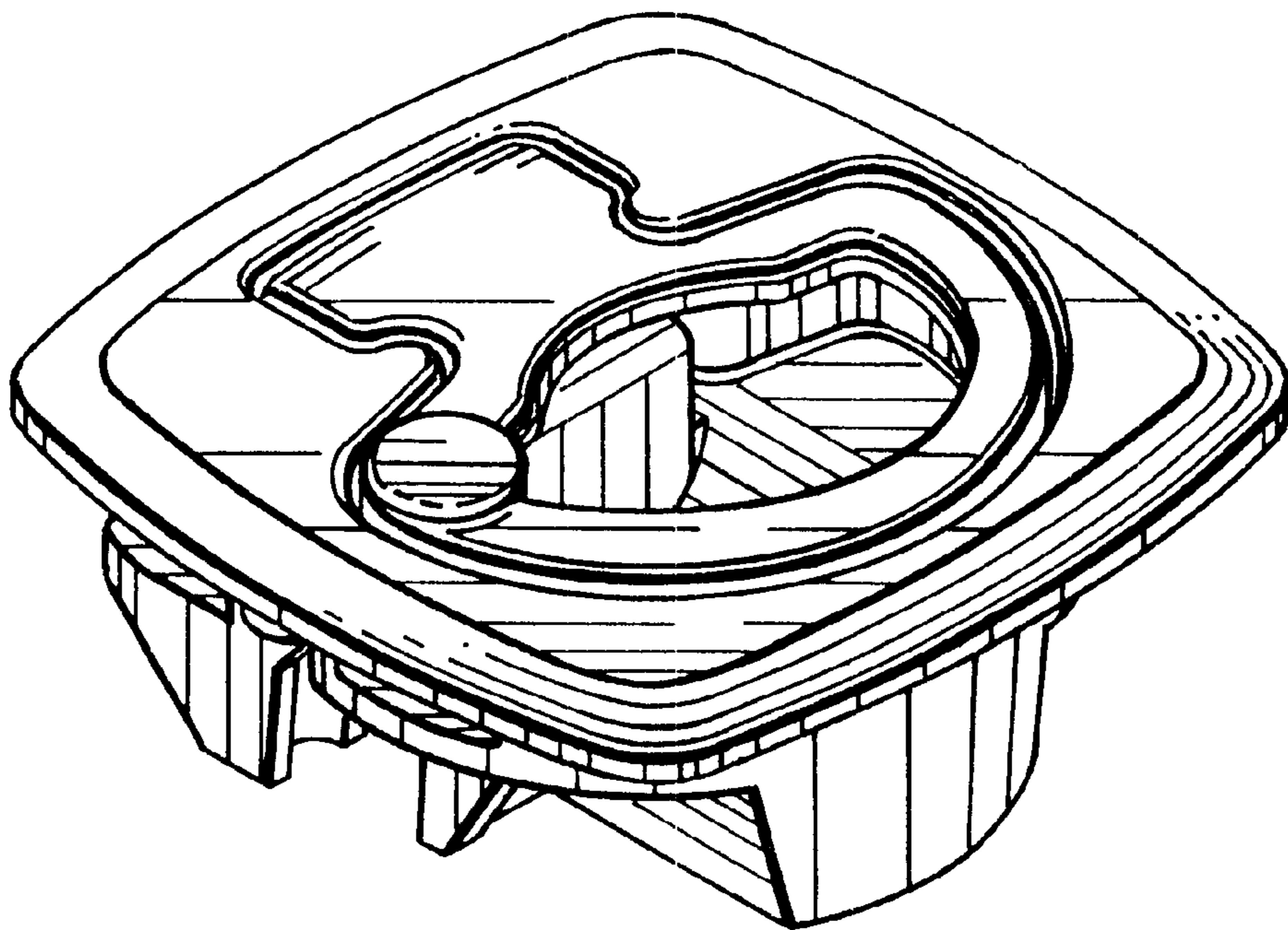


FIG. 10

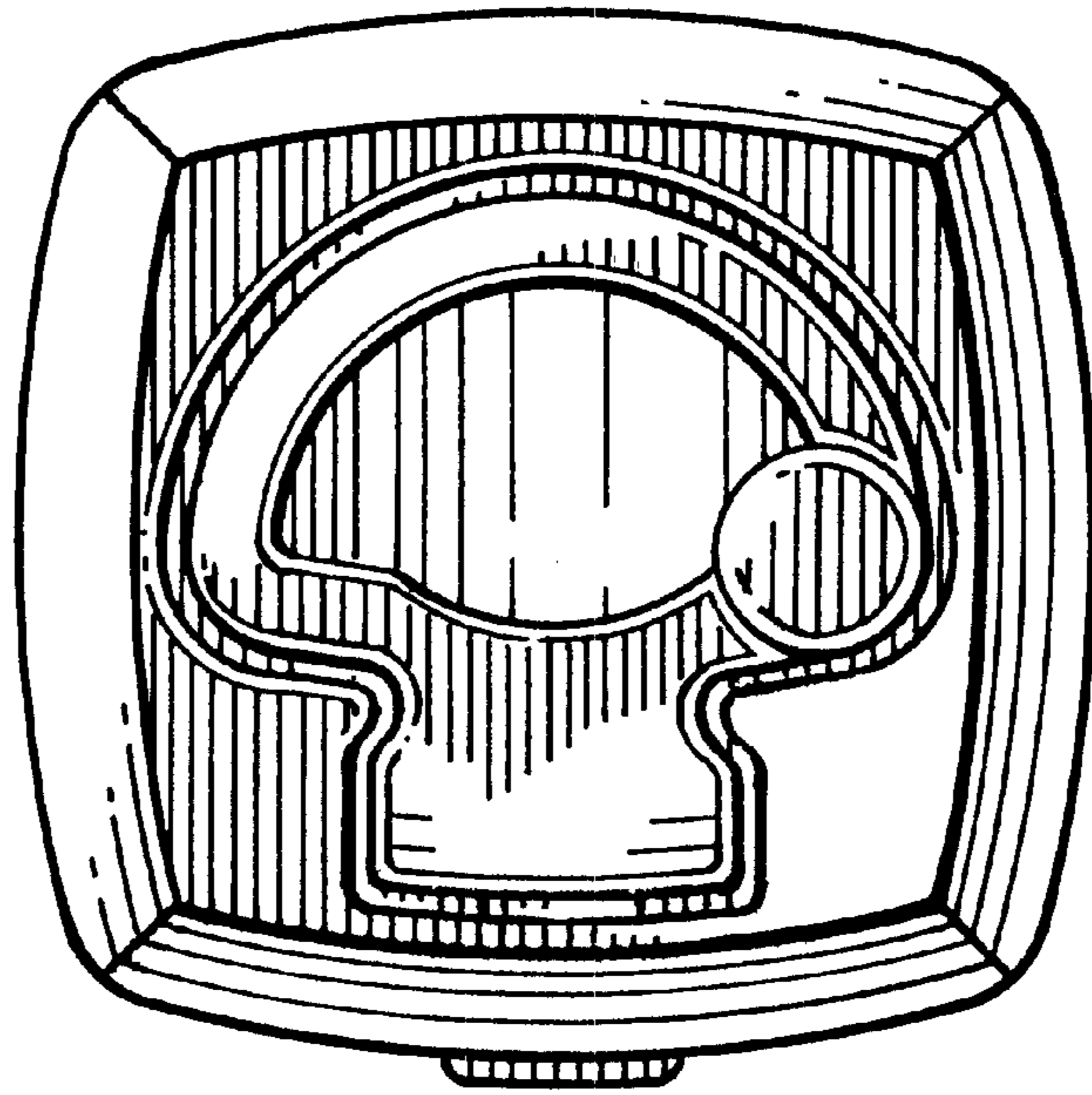


FIG. 11

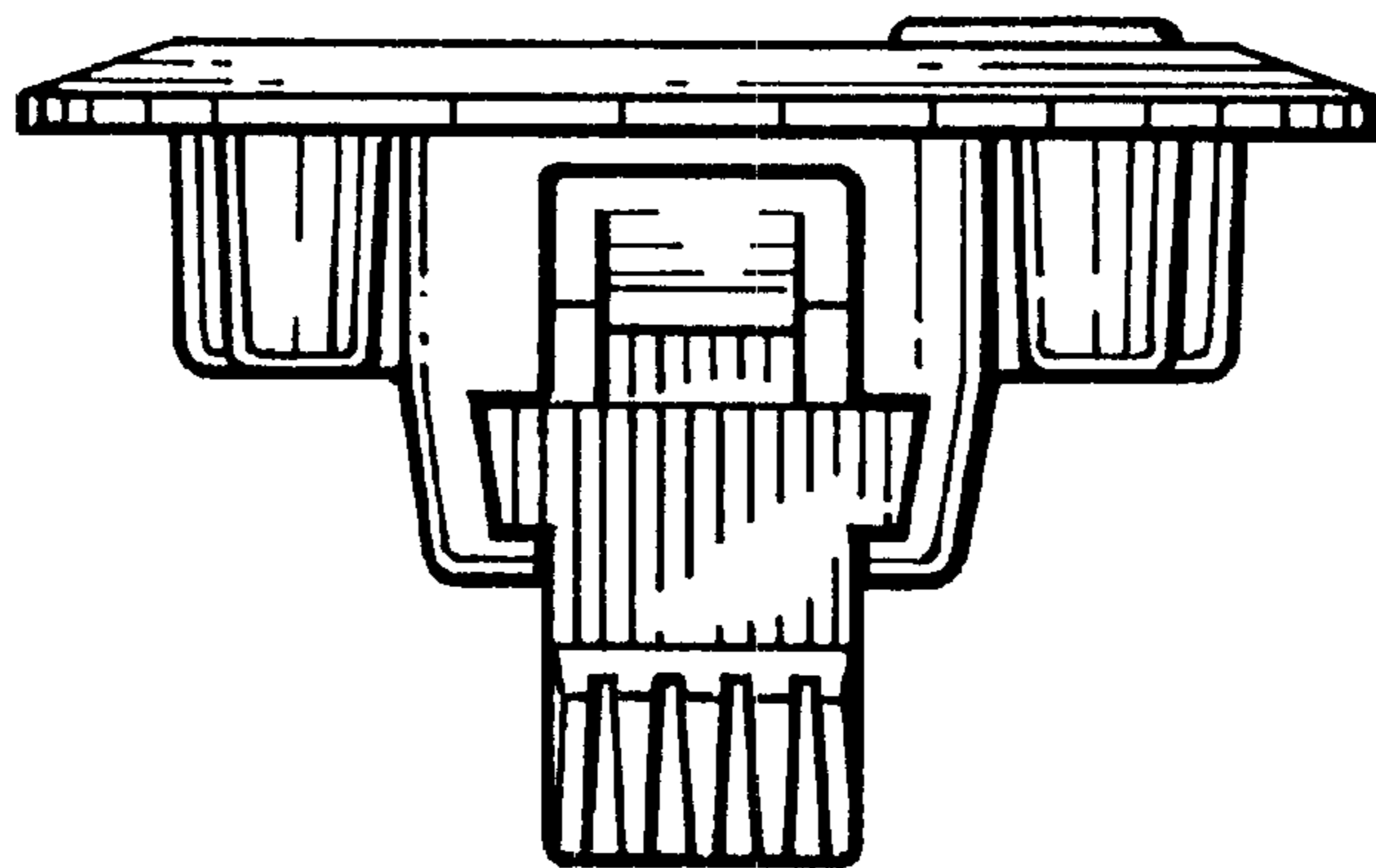


FIG. 12



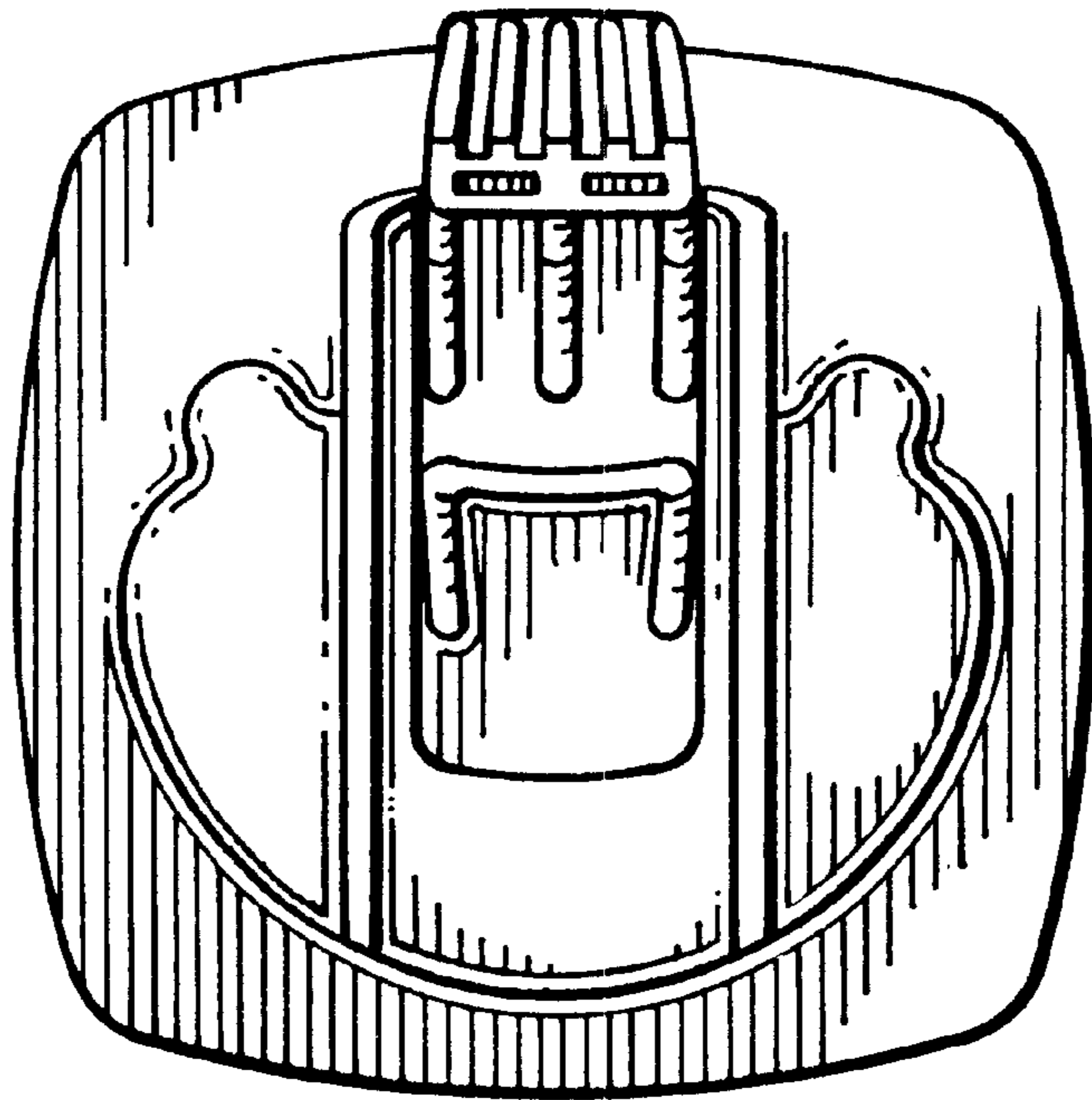


FIG. 13

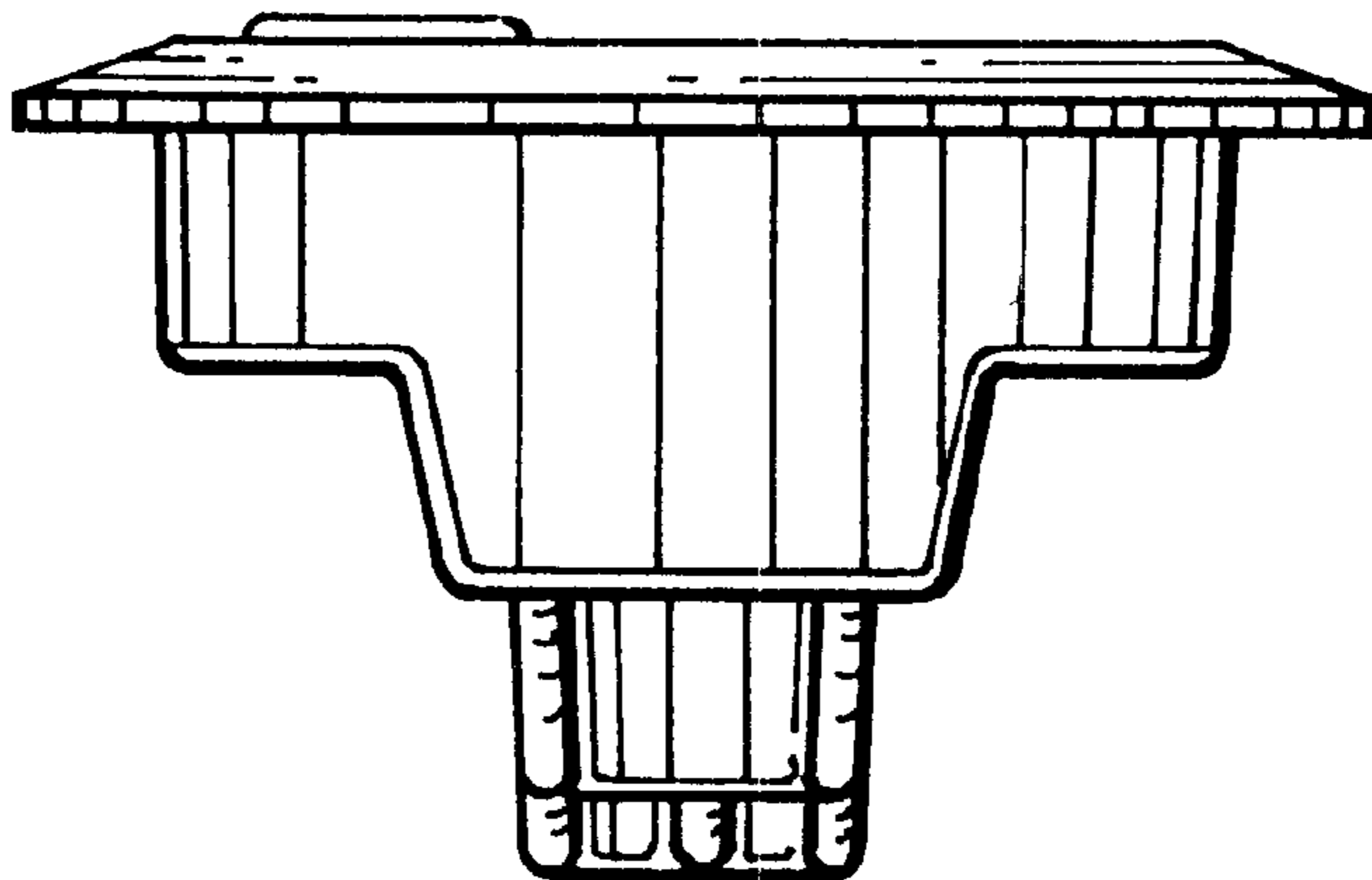


FIG. 14

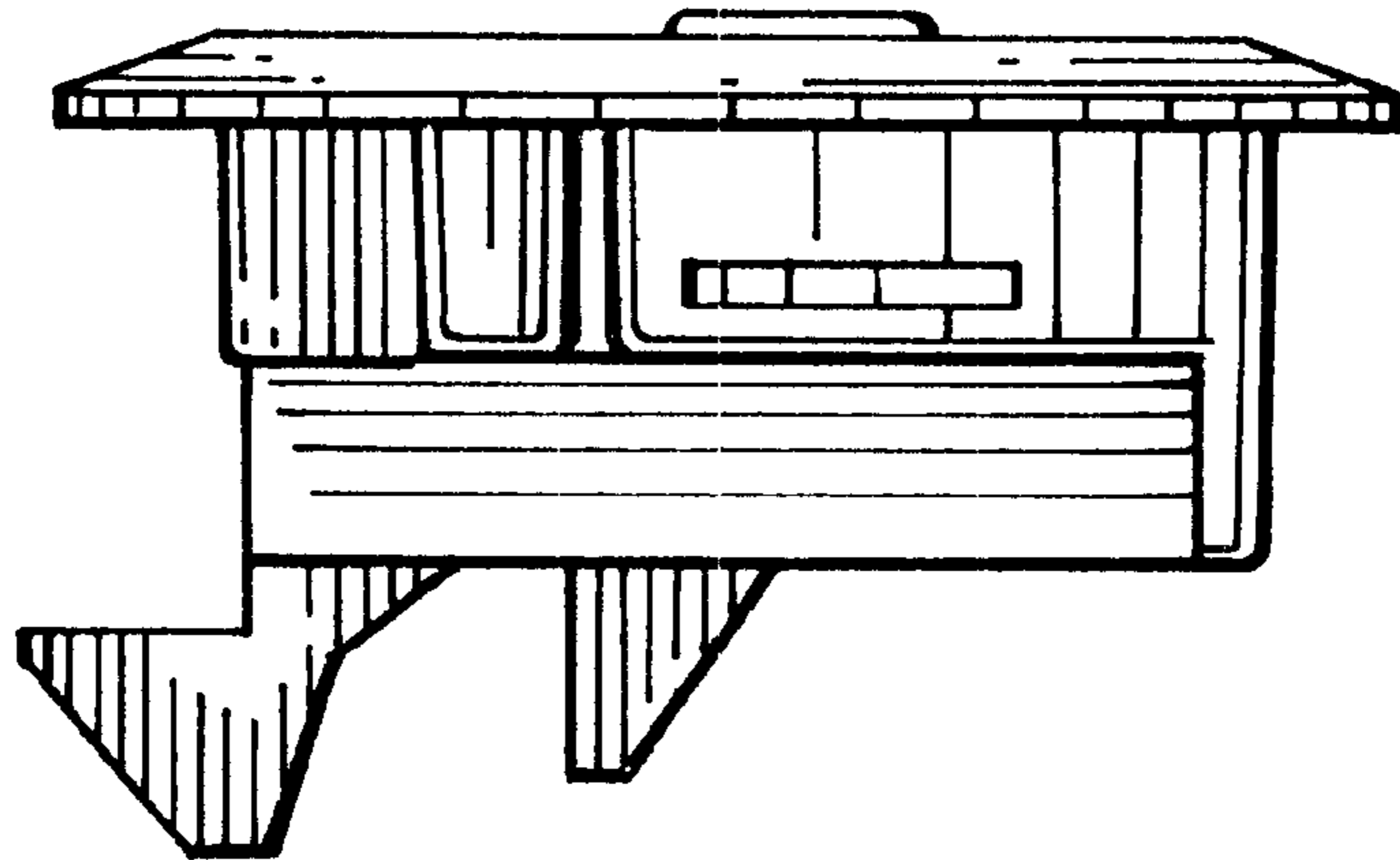


FIG. 15

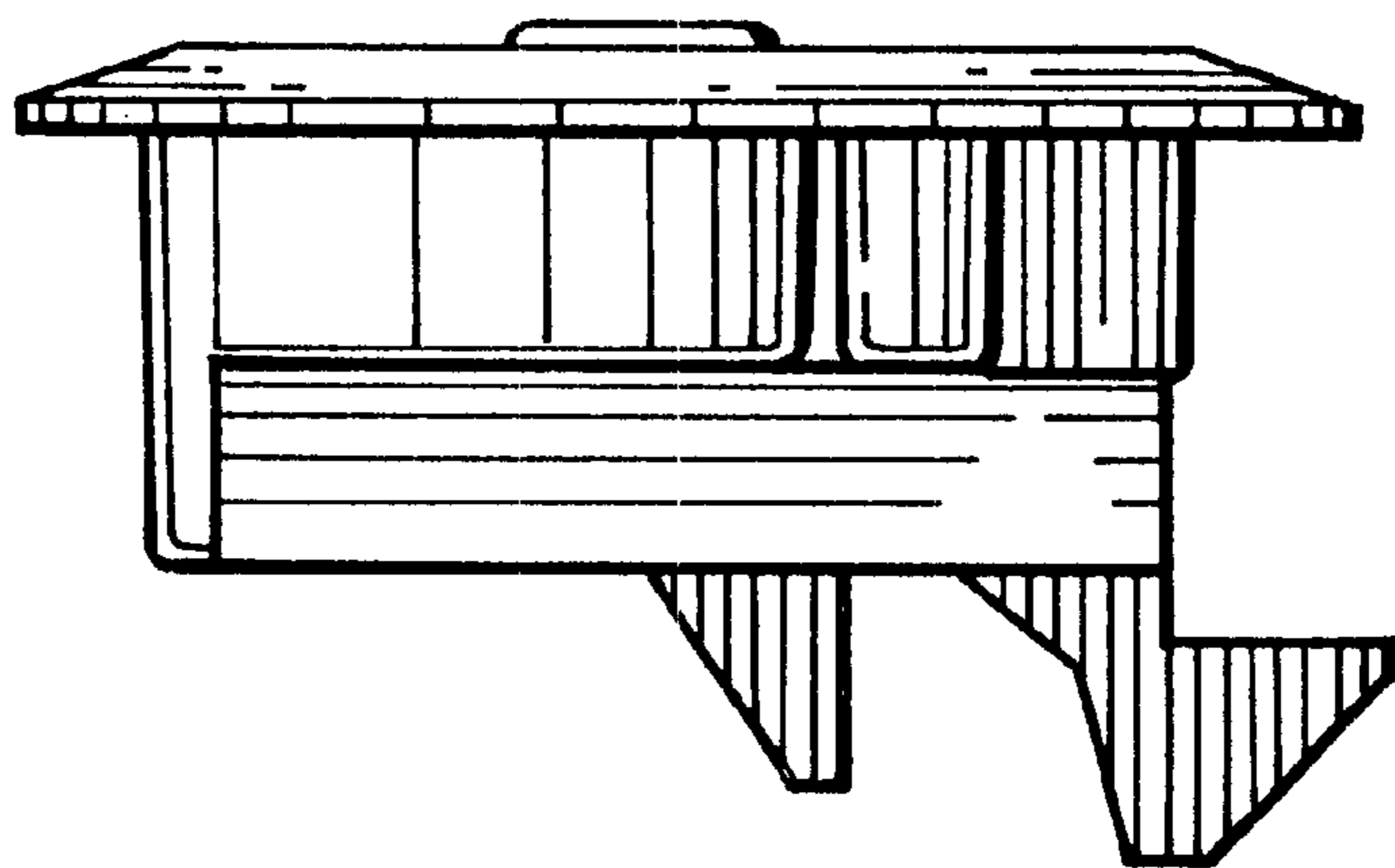


FIG. 16