



US00D459191S

(12) **United States Design Patent**  
**Loggen**

(10) **Patent No.:** **US D459,191 S**

(45) **Date of Patent:** **\*\* Jun. 25, 2002**

(54) **HINGE**

(75) Inventor: **Jörg Loggen**, Windeck (DE)

(73) Assignee: **KL-Beschläge Karl Loggen GmbH**,  
Eitorf (DE)

(\*\*) Term: **14 Years**

(21) Appl. No.: **29/139,653**

(22) Filed: **Apr. 4, 2001**

(51) **LOC (7) Cl.** ..... **08-06**

(52) **U.S. Cl.** ..... **D8/323**

(58) **Field of Search** ..... D8/323, 327, 328,  
D8/329; 16/386, 387, 382, 281

(56) **References Cited**

**U.S. PATENT DOCUMENTS**

- D30,721 S \* 5/1899 Decker
- 629,185 A \* 7/1899 Arnold
- 2,596,416 A \* 5/1952 Kormmayer
- D249,455 S \* 9/1978 Tilley
- 5,749,125 A \* 5/1998 Davis et al.

**OTHER PUBLICATIONS**

Loggen, U.S. Design Application Ser. No. 29/139,652, filed Apr. 4, 2001.

\* cited by examiner

*Primary Examiner*—B. J. Bullock

(74) *Attorney, Agent, or Firm*—Fay, Sharpe, Fagan, Minnich & McKee, LLP

(57) **CLAIM**

The ornamental design for a hinge, as shown and described.

**DESCRIPTION**

FIG. 1 is a front elevational view of a hinge in accordance with the present invention in its extended position; FIG. 2 is a top plan view thereof, the bottom view being the mirror image thereof; FIG. 3 is a rear elevational view thereof; and, FIG. 4 is a side elevational view thereof, the opposite side being identical thereto.

**1 Claim, 1 Drawing Sheet**

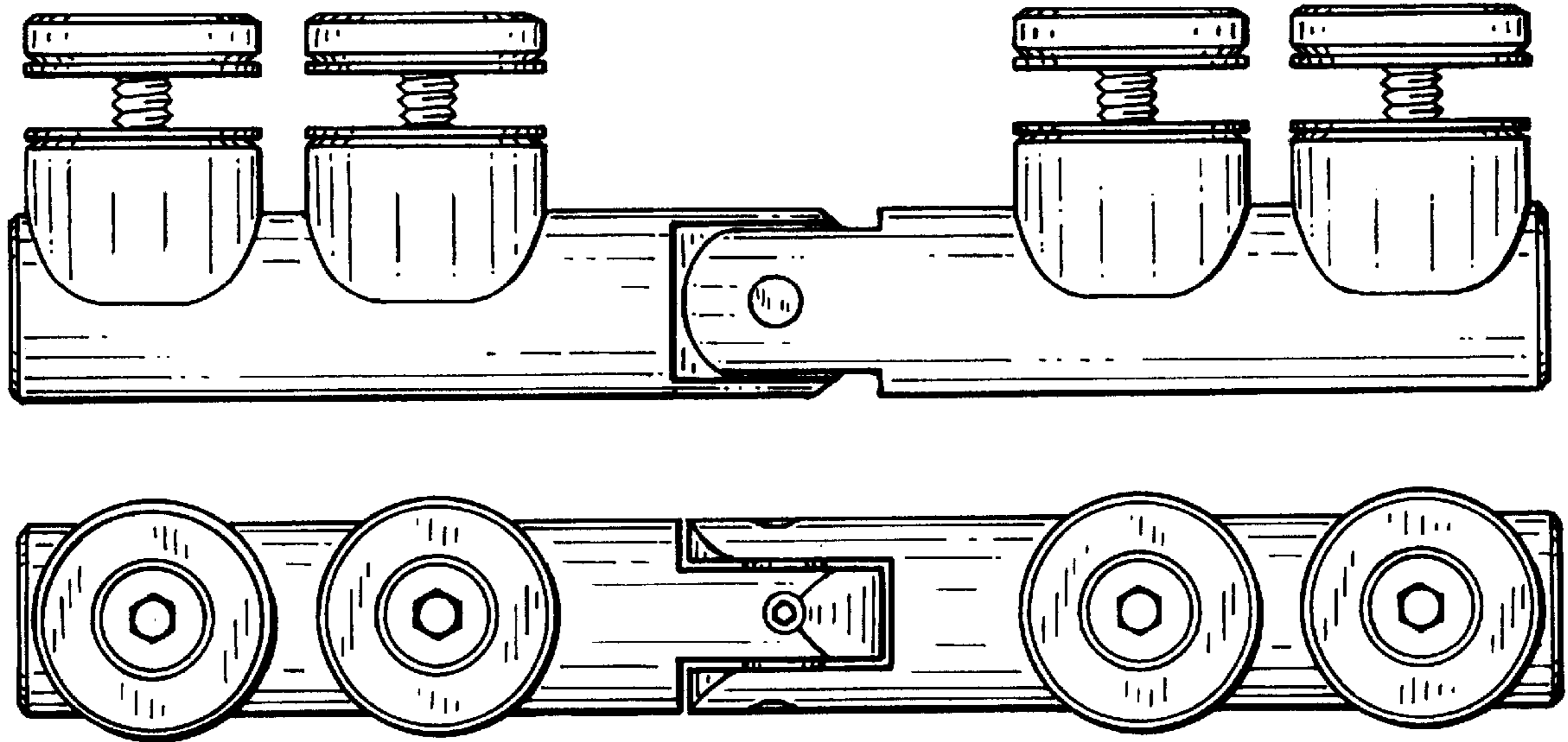


FIG. 1

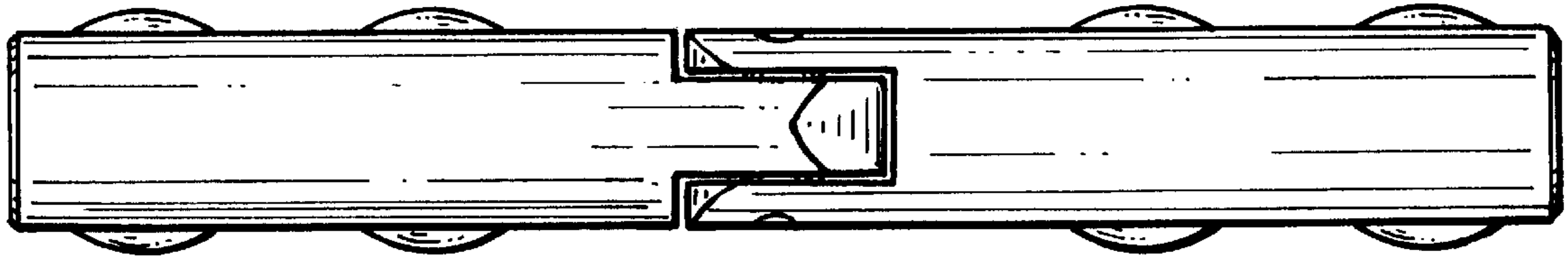


FIG. 2

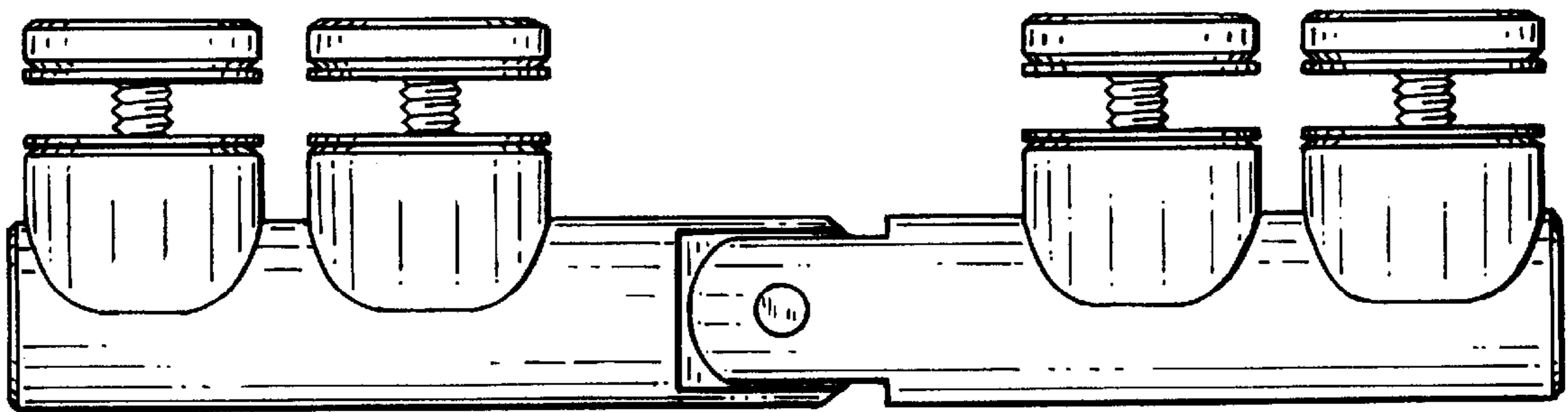


FIG. 3

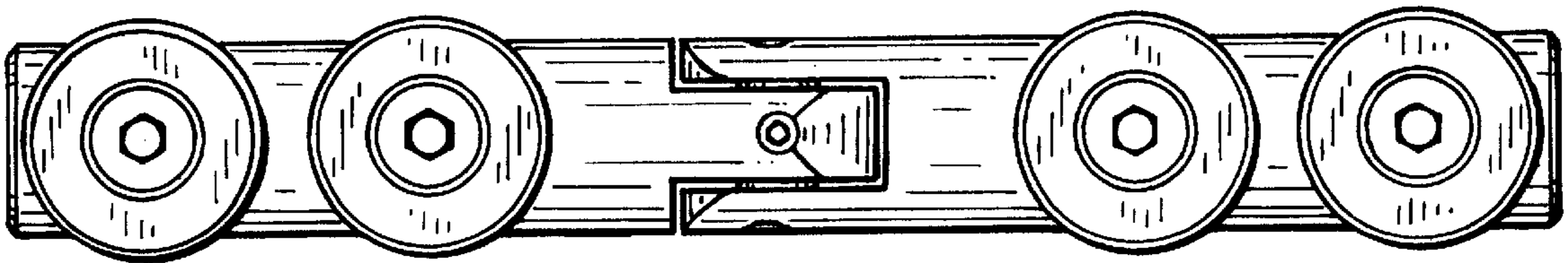


FIG. 4

