



US00D459189S

(12) **United States Design Patent**
Chong

(10) **Patent No.:** **US D459,189 S**

(45) **Date of Patent:** **** Jun. 25, 2002**

(54) **CUTTER**

(75) **Inventor:** **Sing-Yuen Chong**, Chaiwan (CN)

(73) **Assignee:** **Tung Hing Products Company Limited**, Chaiwan (CN)

(**) **Term:** **14 Years**

(21) **Appl. No.:** **29/141,158**

(22) **Filed:** **May 1, 2001**

(30) **Foreign Application Priority Data**

Nov. 13, 2000 (HK) 0011660

(51) **LOC (7) Cl.** **08-03**

(52) **U.S. Cl.** **D8/99**

(58) **Field of Search** D8/98; 30/320,
30/329, 335, 337, 161, 162

(56) **References Cited**

U.S. PATENT DOCUMENTS

- D324,475 S * 3/1992 Staubitz et al. D8/99
- D386,959 S * 12/1997 Okada D8/99
- D398,829 S * 9/1998 Okada D8/99

- D399,114 S * 10/1998 Okada D8/99
- D412,654 S * 8/1999 Gilbert et al. D8/99
- D412,655 S * 8/1999 Gilbert et al. D8/99
- D419,850 S * 2/2000 Hsu D8/99
- D431,170 S * 9/2000 Okada D8/98
- D442,054 S * 5/2001 Okada et al. D8/98
- D443,807 S * 6/2001 Okada D8/99

* cited by examiner

Primary Examiner—Philip S. Hyder

(74) *Attorney, Agent, or Firm*—Alix, Yale & Ristas, LLP

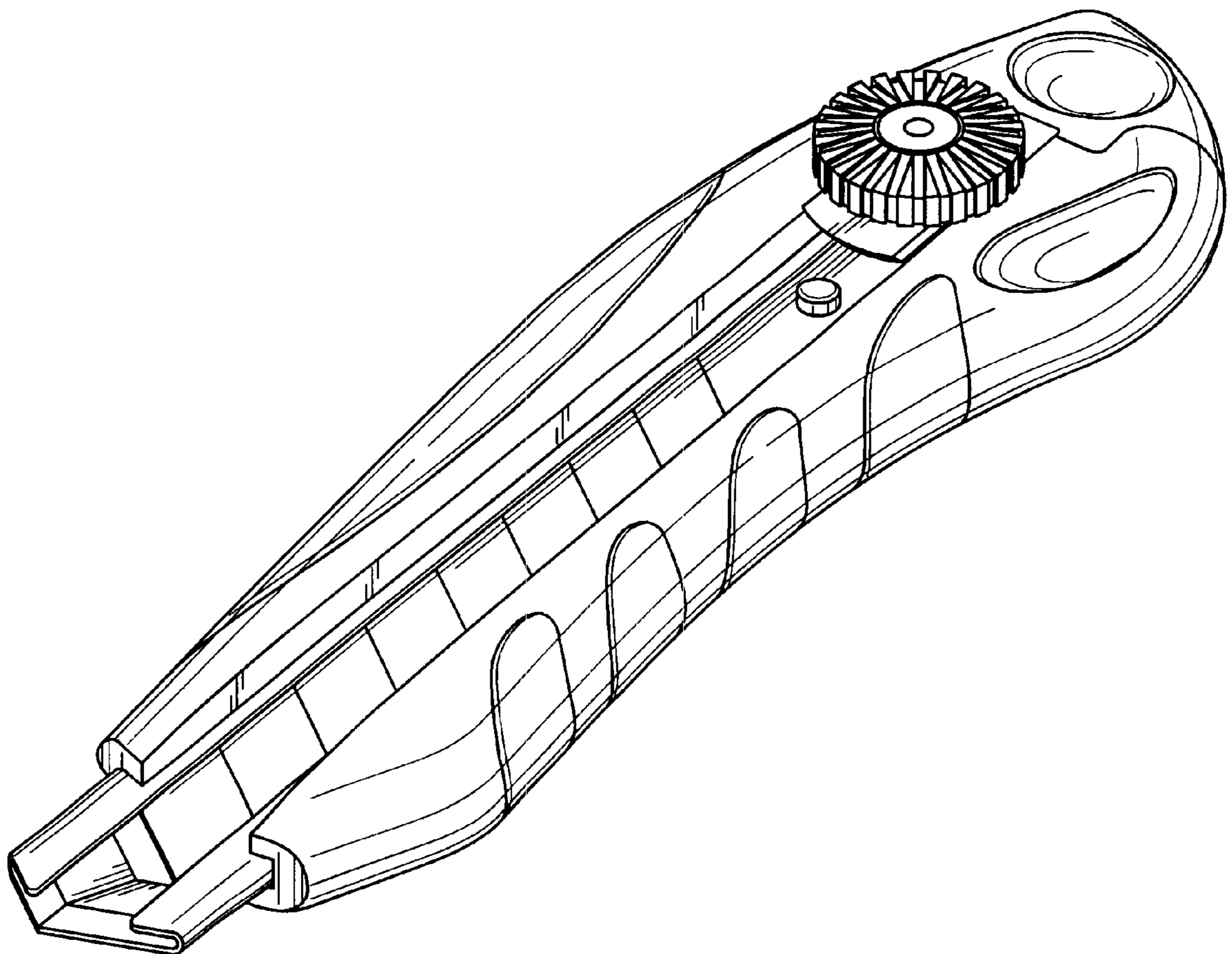
(57) **CLAIM**

The ornamental design for a cutter, as shown and described.

DESCRIPTION

- FIG. 1 is a perspective view of a cutter showing my new design;
- FIG. 2 is a front elevational view thereof;
- FIG. 3 is a top plan view thereof;
- FIG. 4 is a bottom plan view thereof;
- FIG. 5 is a rear elevational view thereof;
- FIG. 6 is a left side elevational view thereof; and,
- FIG. 7 is a right side elevational view thereof.

1 Claim, 3 Drawing Sheets



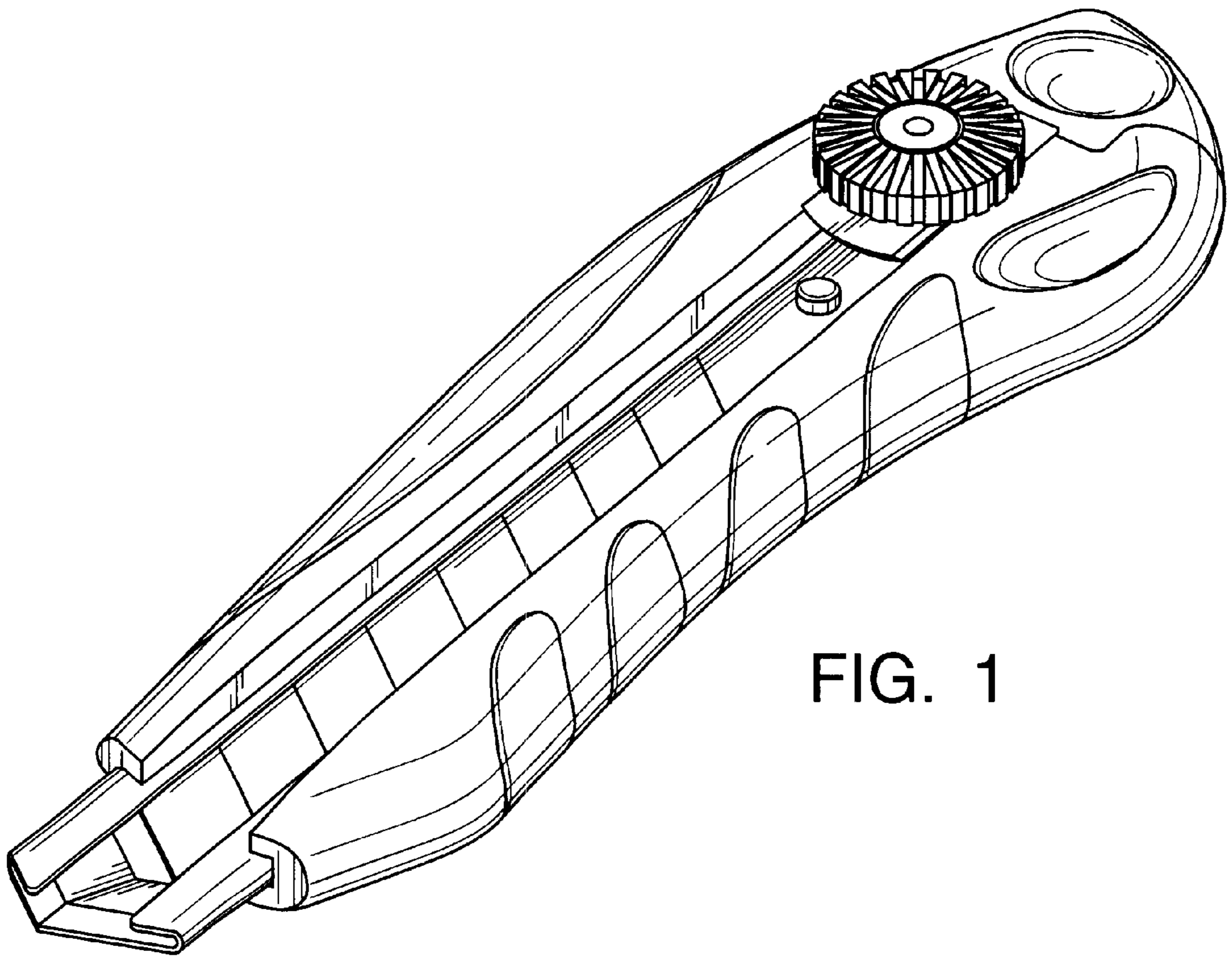


FIG. 1

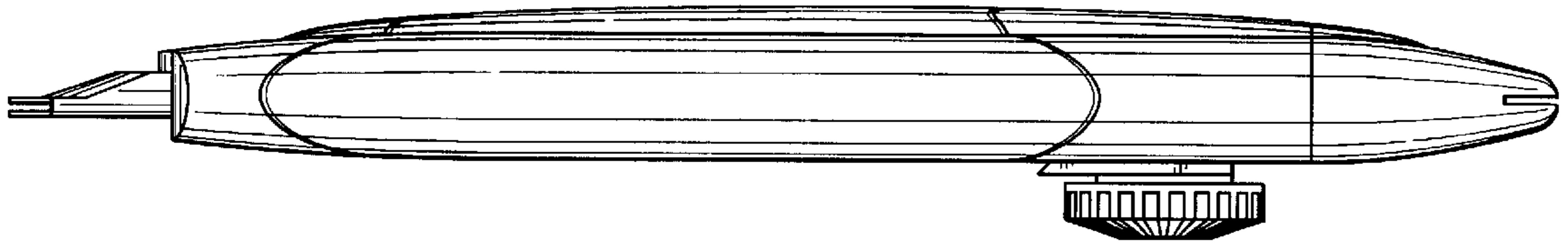


FIG. 3

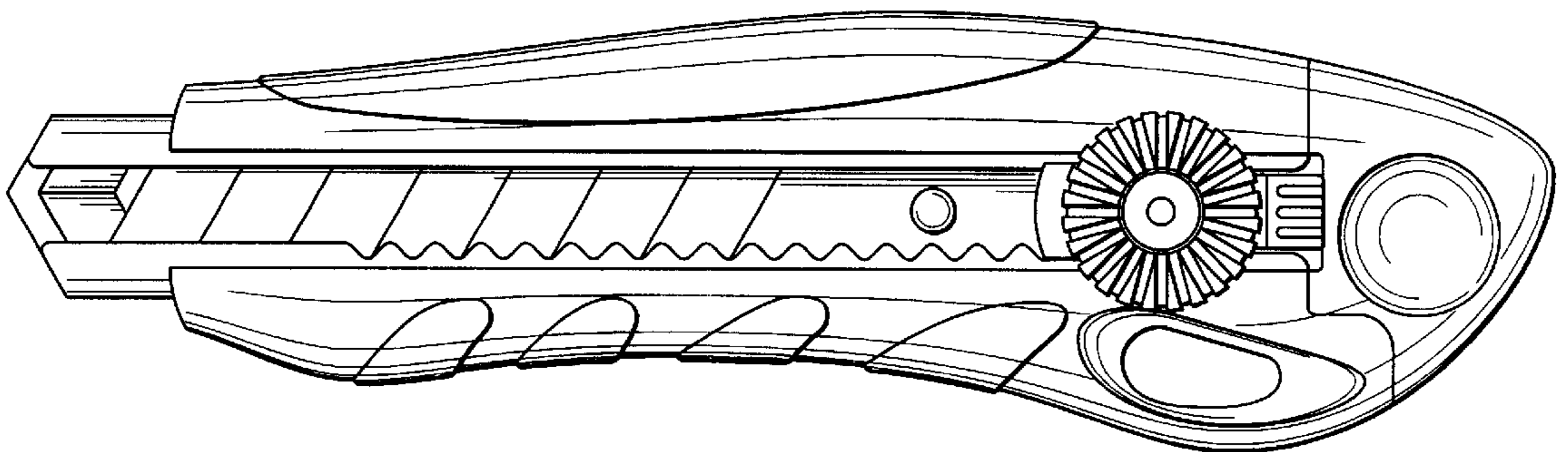


FIG. 2

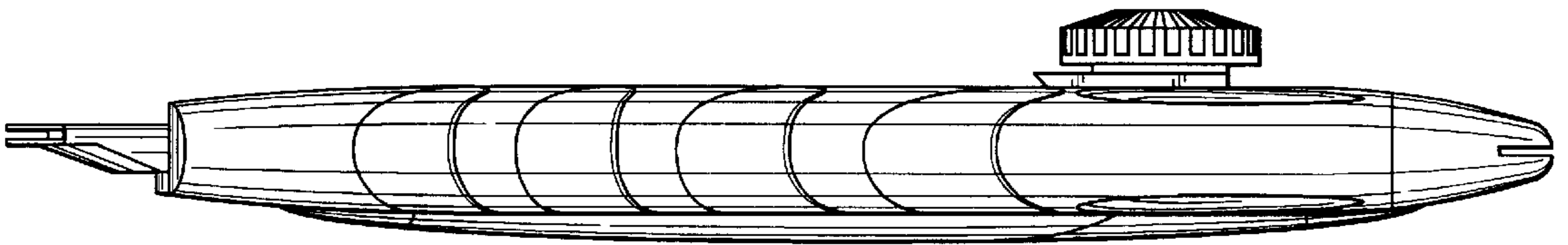


FIG. 4

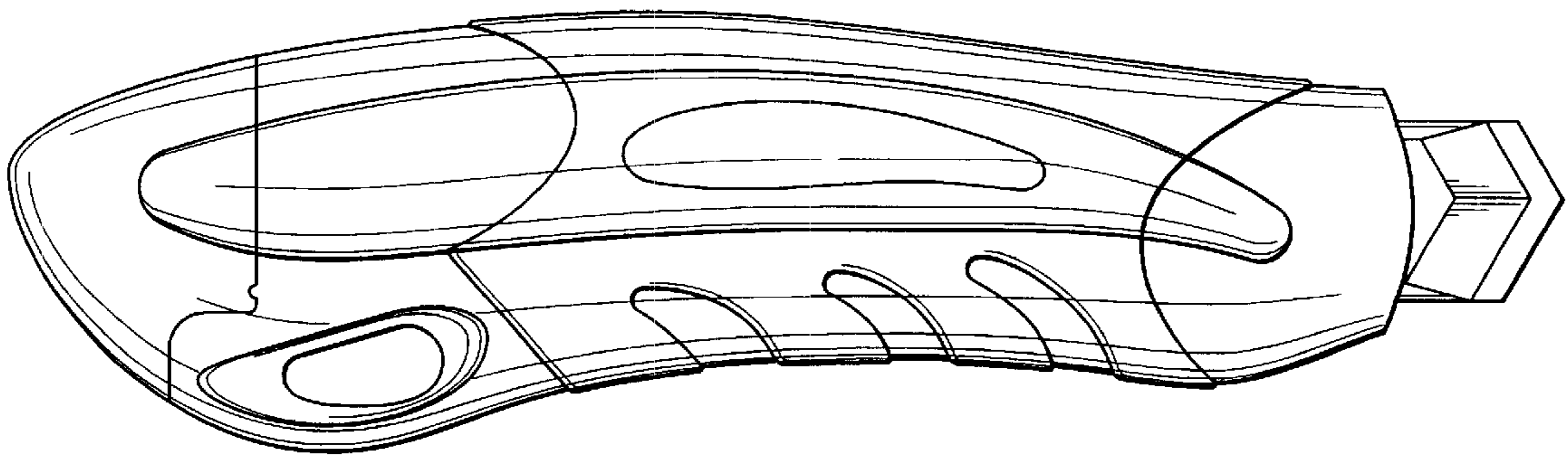


FIG. 5

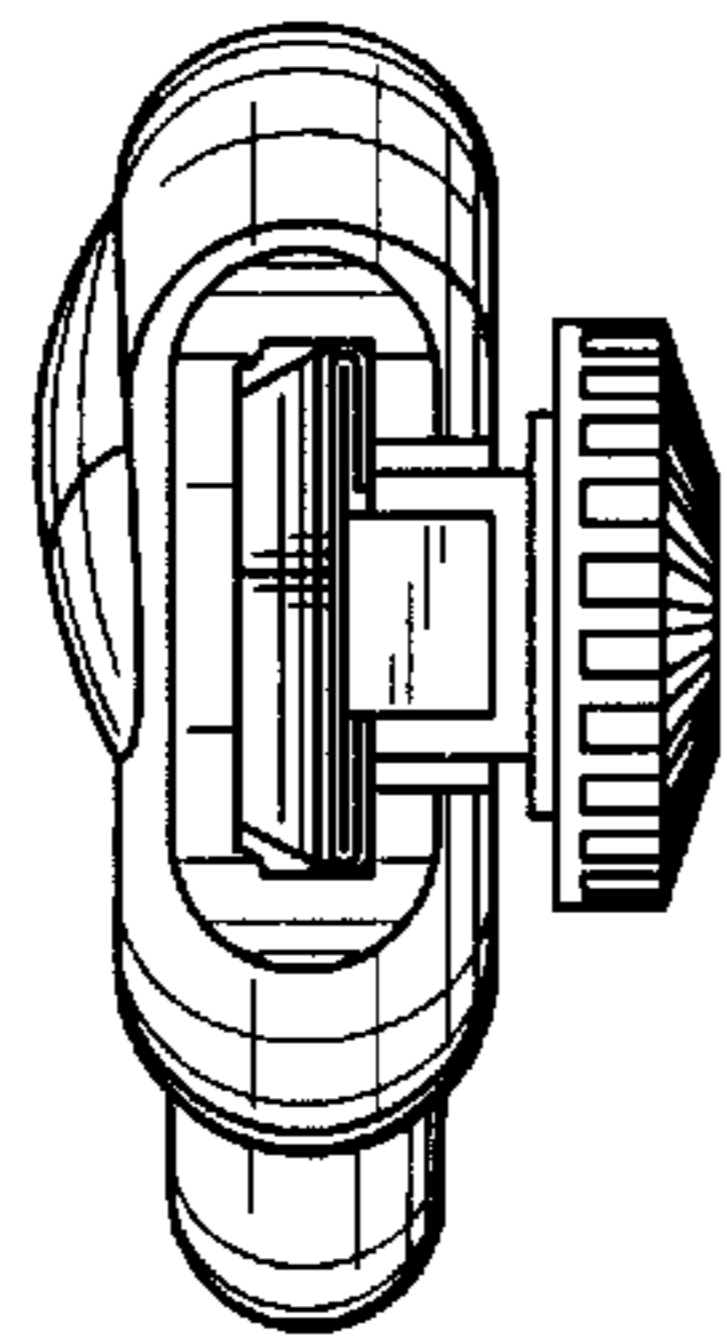


FIG. 6

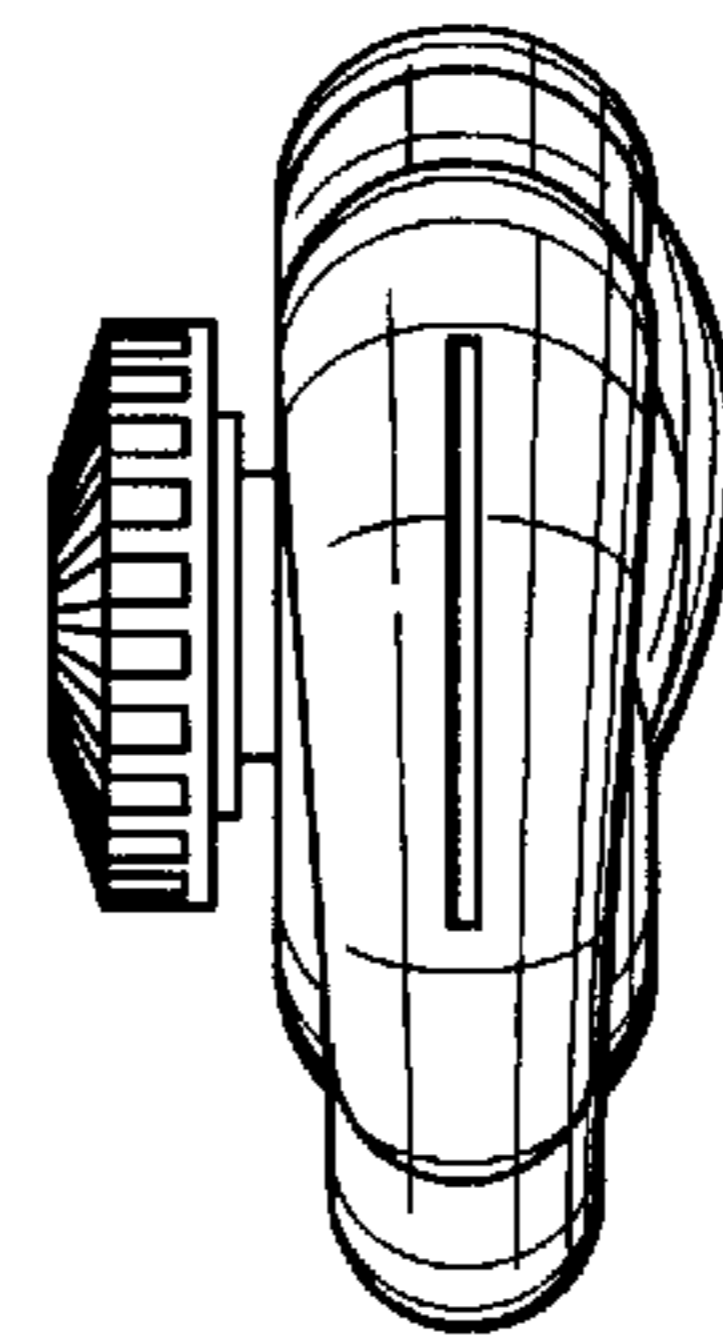


FIG. 7