



US00D459185S

(12) **United States Design Patent**
Buck

(10) **Patent No.:** **US D459,185 S**

(45) **Date of Patent:** **** Jun. 25, 2002**

(54) **FASTENER TOOL**

(75) **Inventor:** **John E. Buck**, Cockeysville, MD (US)

(73) **Assignee:** **Black & Decker Inc.**, Newark, DE (US)

(**) **Term:** **14 Years**

(21) **Appl. No.:** **29/136,708**

(22) **Filed:** **Feb. 6, 2001**

(51) **LOC (7) Cl.** **08-05**

(52) **U.S. Cl.** **D8/69**

(58) **Field of Search** D8/61, 62, 63,
D8/64, 65, 66, 67, 68, 69, 70; 30/123.3;
81/54, 57.11, 57.42; 173/48, 109, 170;
227/2, 8, 10, 111, 112, 113, 114, 115, 116,
120, 123, 130, 131, 136, 142, 151; 451/451,
356

(56) **References Cited**

U.S. PATENT DOCUMENTS

- D260,354 S * 8/1981 Proops et al. D8/61
- D316,022 S * 4/1991 Moraht D8/69
- 5,240,161 A * 8/1993 Kaneko 227/136
- D396,178 S * 7/1998 Hattori D8/61
- D410,182 S * 5/1999 Etter et al. D8/69
- 5,971,245 A * 10/1999 Robinson 227/130
- 6,131,787 A * 10/2000 Curtis 227/120

- D434,628 S * 12/2000 Etter et al. D8/69
- D435,769 S * 1/2001 Etter et al. D8/69
- 6,186,386 B1 * 2/2001 Canlas et al. 227/8

* cited by examiner

Primary Examiner—Doris V. Coles
Assistant Examiner—T. Chase Nelson
(74) *Attorney, Agent, or Firm*—Adan Ayala

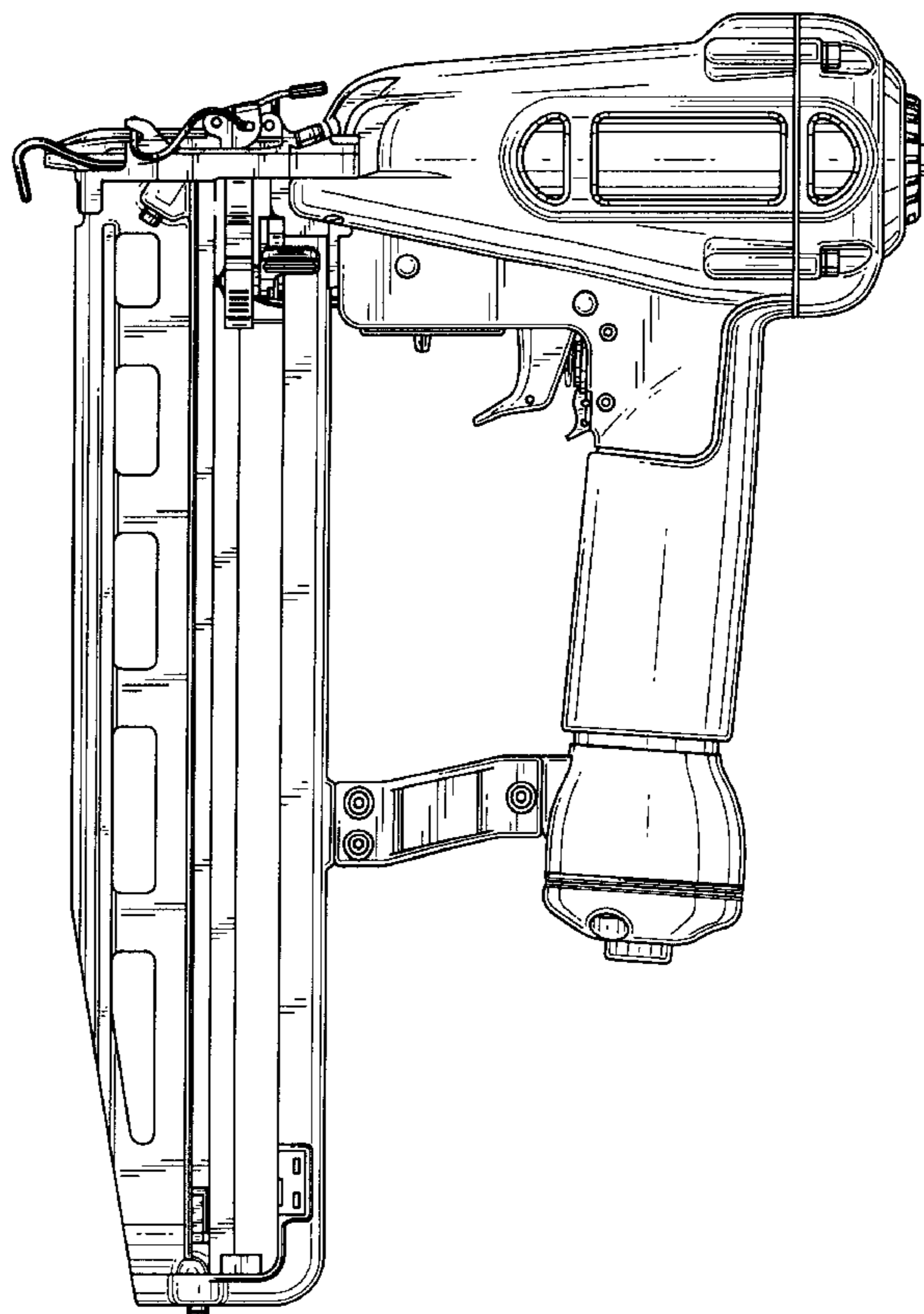
(57) **CLAIM**

The ornamental design for a fastener tool, as shown and described.

DESCRIPTION

FIG. 1 is a right side elevational of an embodiment of a fastener tool showing my new design.
FIG. 2 is a left side elevational view of the embodiment.
FIG. 3 is a bottom plan view of the embodiment.
FIG. 4 is a top plan view of the embodiment.
FIG. 5 is a front elevational view of the embodiment.
FIG. 6 is a rear elevational view of the embodiment.
FIG. 7 is a perspective view from the right side of the embodiment; and,
FIG. 8 is a perspective view from the left side of the embodiment.
The broken lines shown in FIG. 6 of the drawing are for illustrative purposes only and form no part of the claimed design.

1 Claim, 7 Drawing Sheets



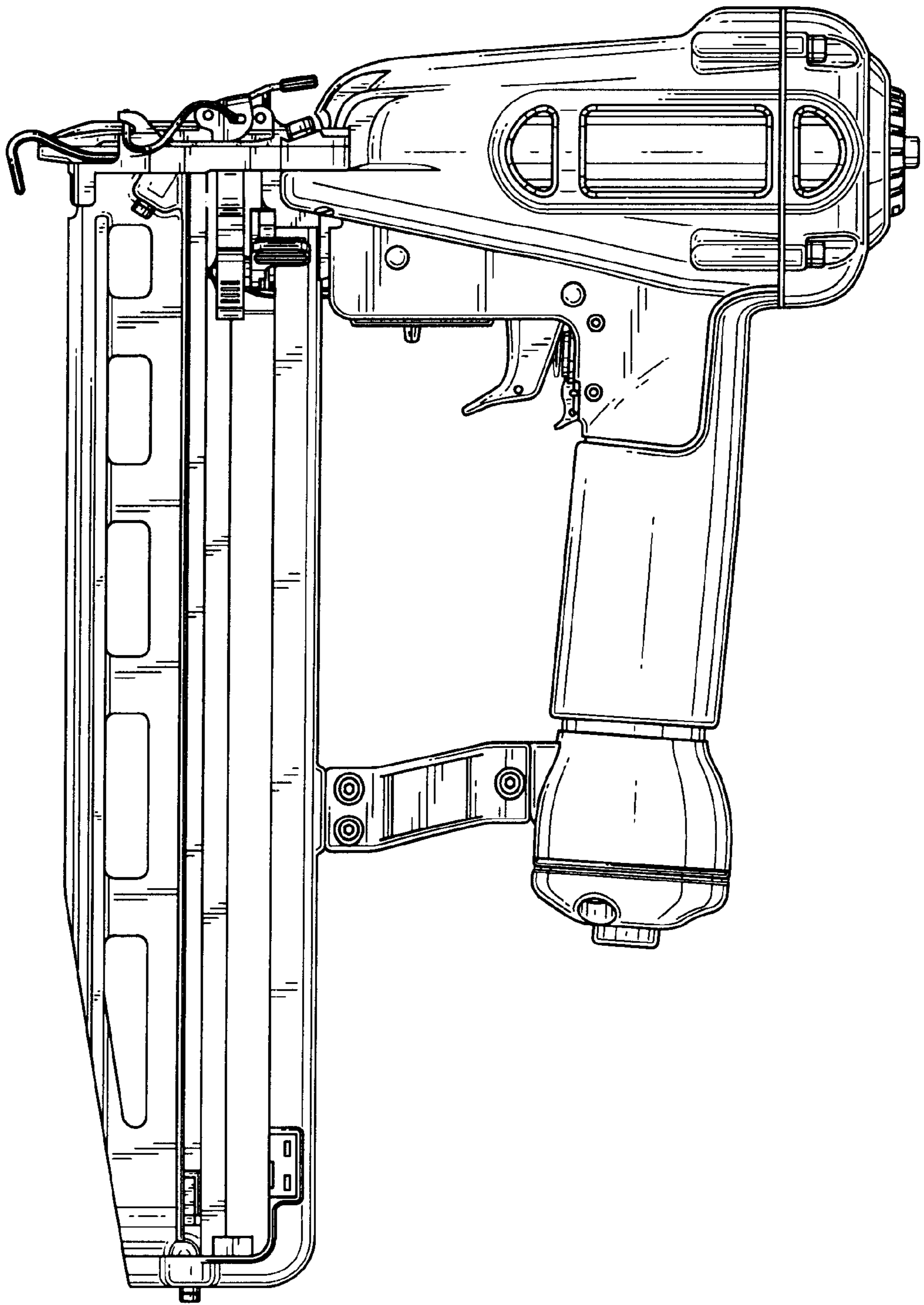


FIG. 1

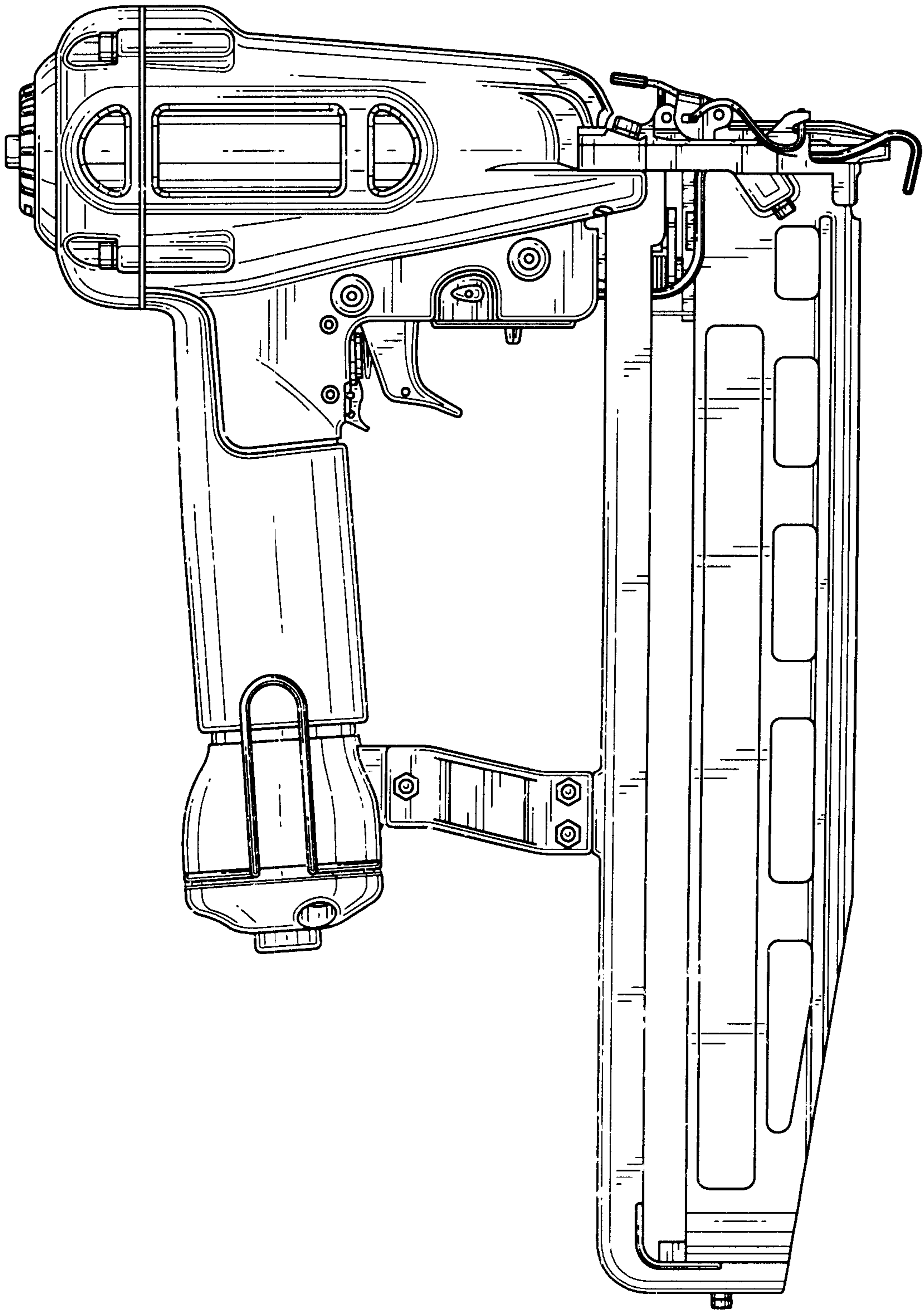


FIG. 2

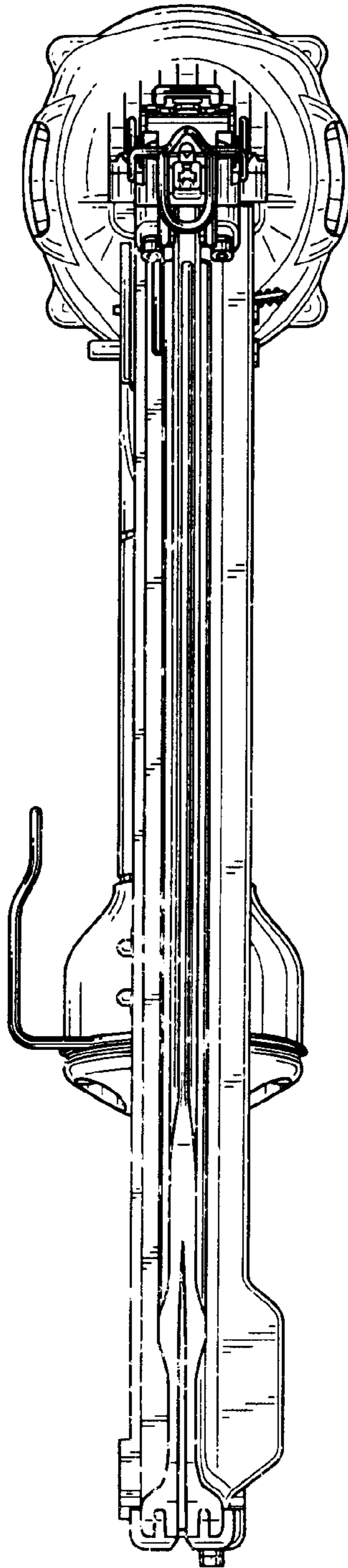


FIG. 3

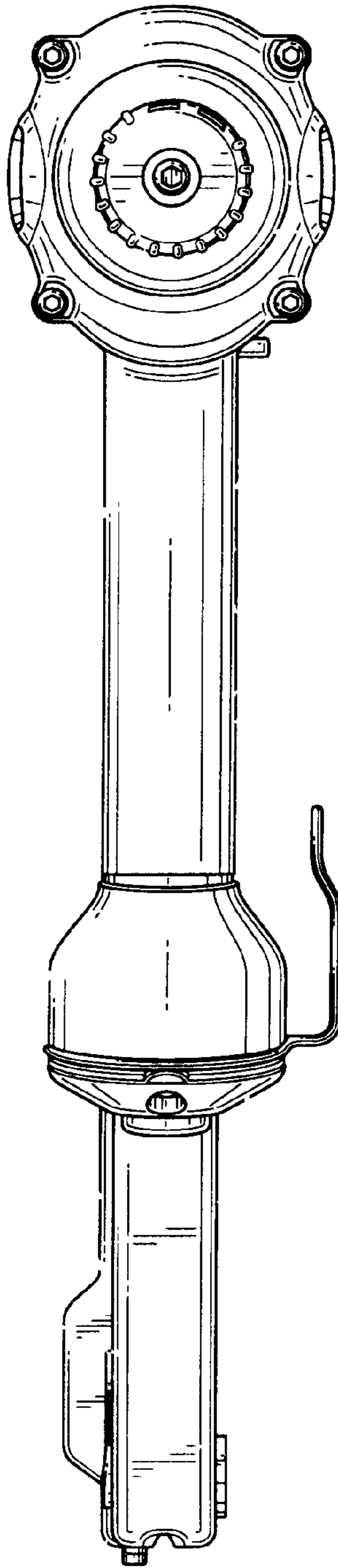


FIG. 4

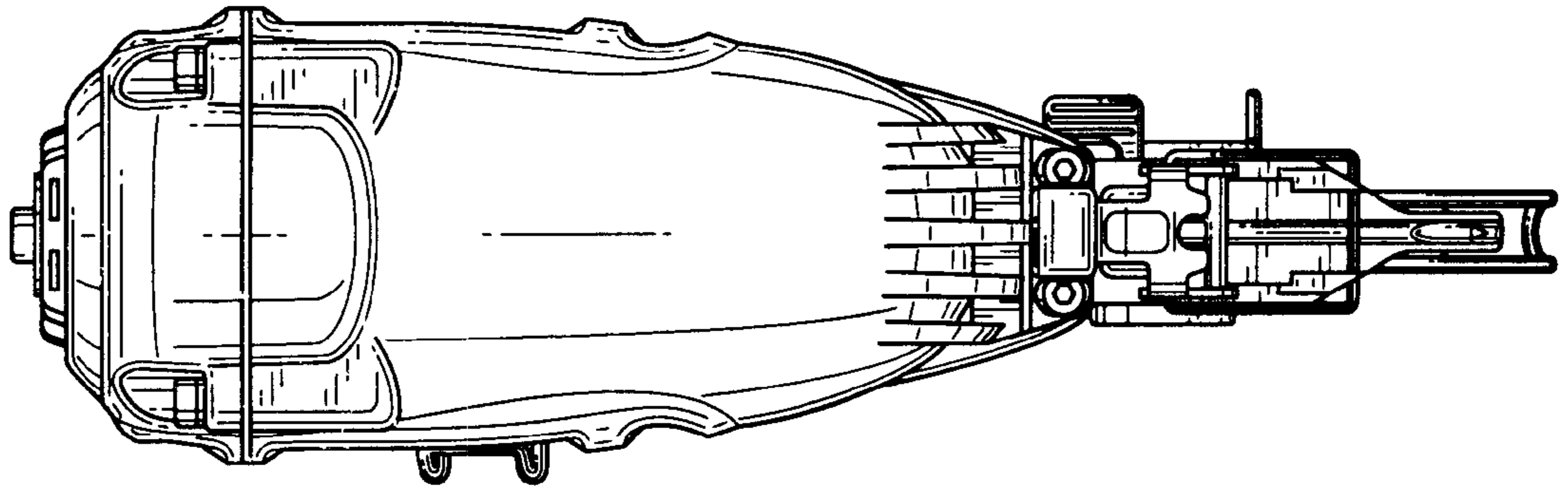


FIG. 5

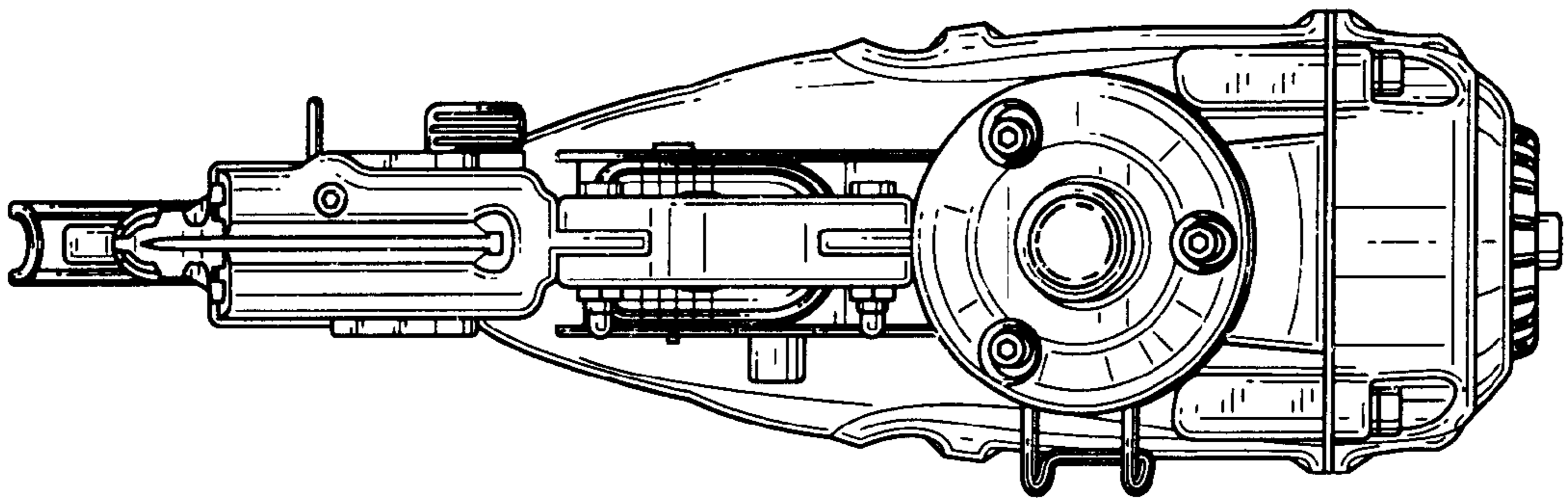


FIG. 6

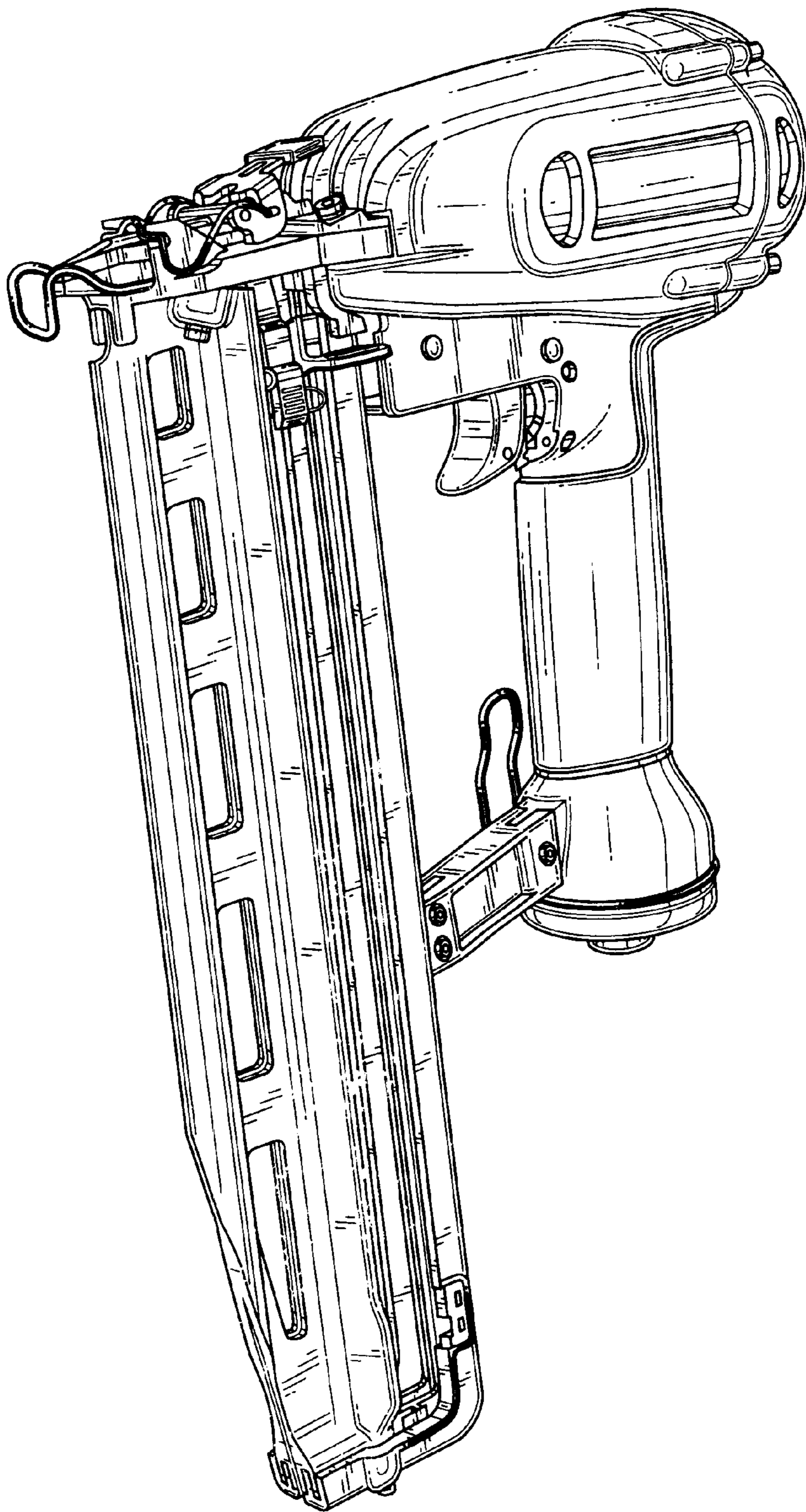


FIG. 7

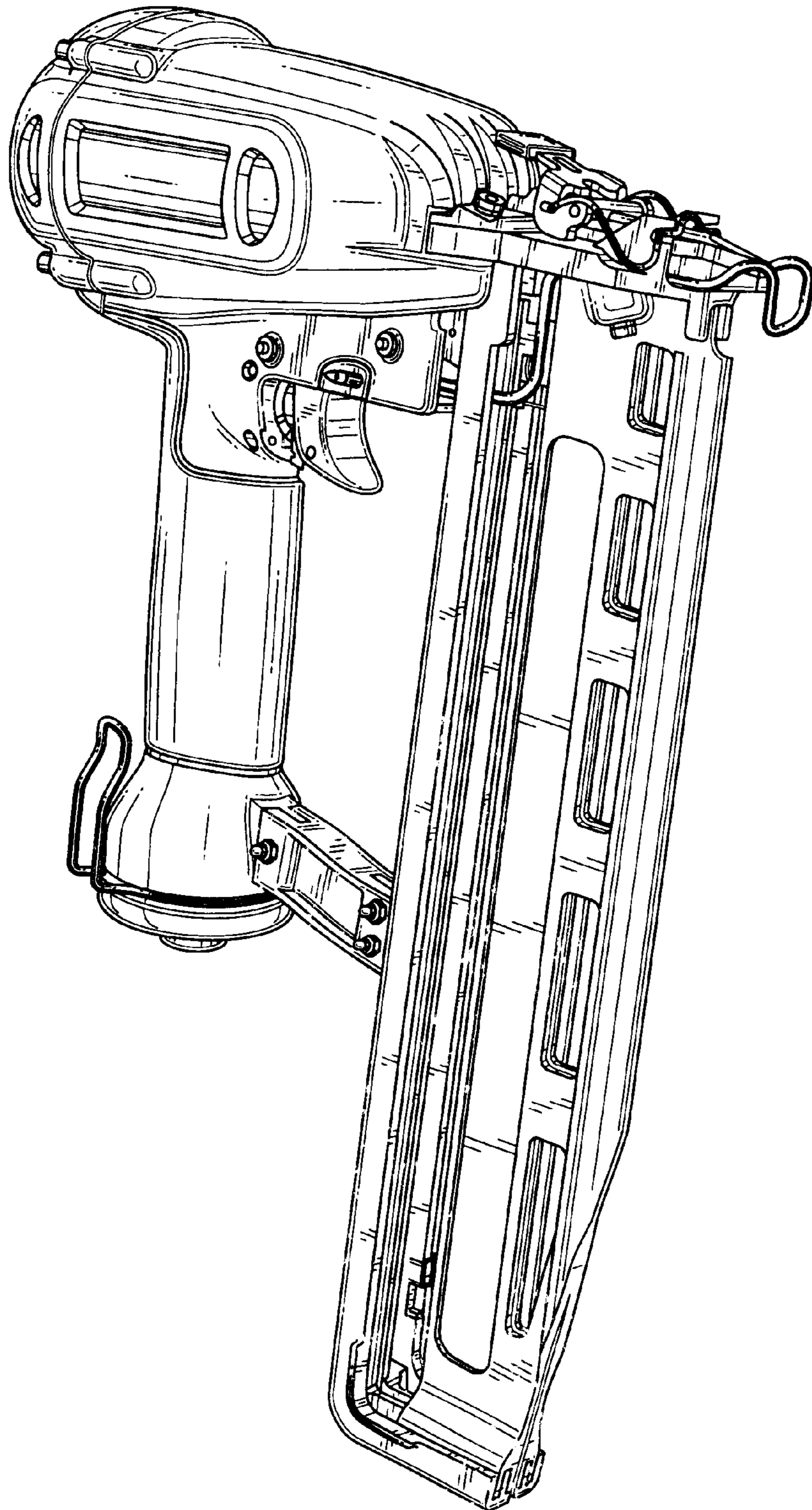


FIG. 8