



US00D459184S

(12) **United States Design Patent**
Buck

(10) **Patent No.:** **US D459,184 S**

(45) **Date of Patent:** **** Jun. 25, 2002**

(54) **FASTENER TOOL**

(75) Inventor: **John E. Buck**, Cockeysville, MD (US)

(73) Assignee: **Black & Decker Inc.**, Newark, DE (US)

(**) Term: **14 Years**

(21) Appl. No.: **29/136,706**

(22) Filed: **Feb. 6, 2001**

(51) **LOC (7) Cl.** **08-05**

(52) **U.S. Cl.** **D8/69**

(58) **Field of Search** D8/61, 62, 63,
D8/64, 65, 66, 67, 68, 69, 70; 30/123.3;
81/54, 57.11, 57.42; 173/48, 109, 170;
227/2, 8, 10, 111, 112, 113, 114, 115, 116,
120, 123, 130, 131, 136, 142, 151; 451/451,
356

(56) **References Cited**

U.S. PATENT DOCUMENTS

D316,022 S	*	4/1991	Moraht	D8/69
5,240,161 A	*	8/1993	Kaneko	227/136
D396,178 S	*	7/1998	Hattori	D8/61
D410,182 S	*	5/1999	Etter et al.	D8/69
5,971,245 A	*	10/1999	Robinson	227/130
D434,628 S	*	12/2000	Etter et al.	D8/69
D435,769 S	*	1/2001	Etter et al.	D8/69

OTHER PUBLICATIONS

Woodworker's Supply Catalogue #121, Woodtek 18 Gauge nailer, 832-371, 838-112, 838-119; p. 47.*

* cited by examiner

Primary Examiner—Doris V. Coles

Assistant Examiner—T. Chase Nelson

(74) *Attorney, Agent, or Firm*—Adan Ayala

(57) **CLAIM**

The ornamental design for a fastener tool, as shown and described.

DESCRIPTION

FIG. 1 is a right side elevational of an embodiment of a fastener tool showing my new design.

FIG. 2 is a left side elevational view of the embodiment.

FIG. 3 is a bottom plan view of the embodiment.

FIG. 4 is a top plan view of the embodiment.

FIG. 5 is a front elevational view of the embodiment.

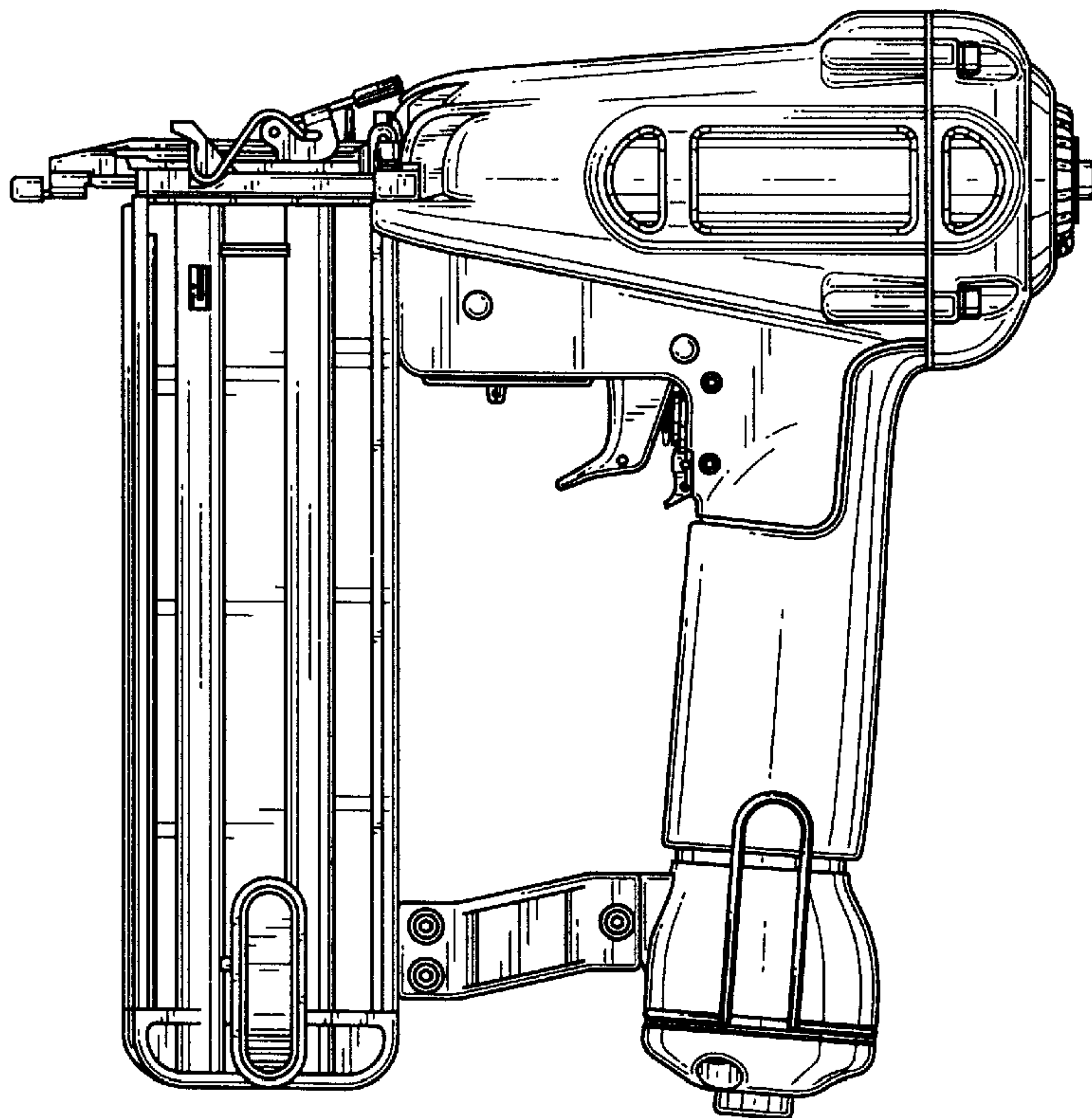
FIG. 6 is a rear elevational view of the embodiment.

FIG. 7 is a perspective view from the right side of the embodiment; and,

FIG. 8 is a perspective view from the left side of the embodiment.

The broken lines shown in FIG. 6 of the drawing are for illustrative purposes only and form no part of the claimed design.

1 Claim, 6 Drawing Sheets



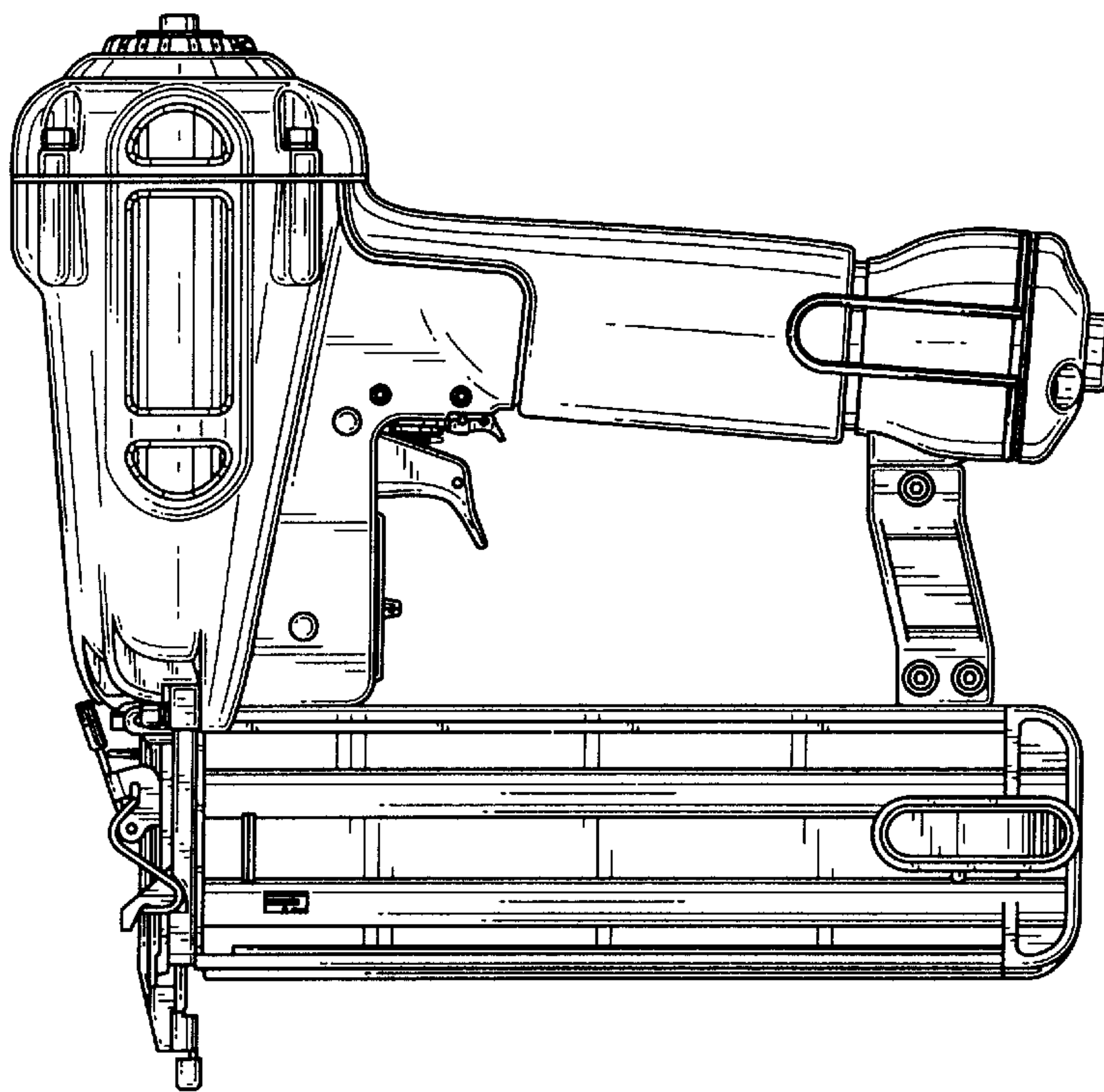


FIG. 1

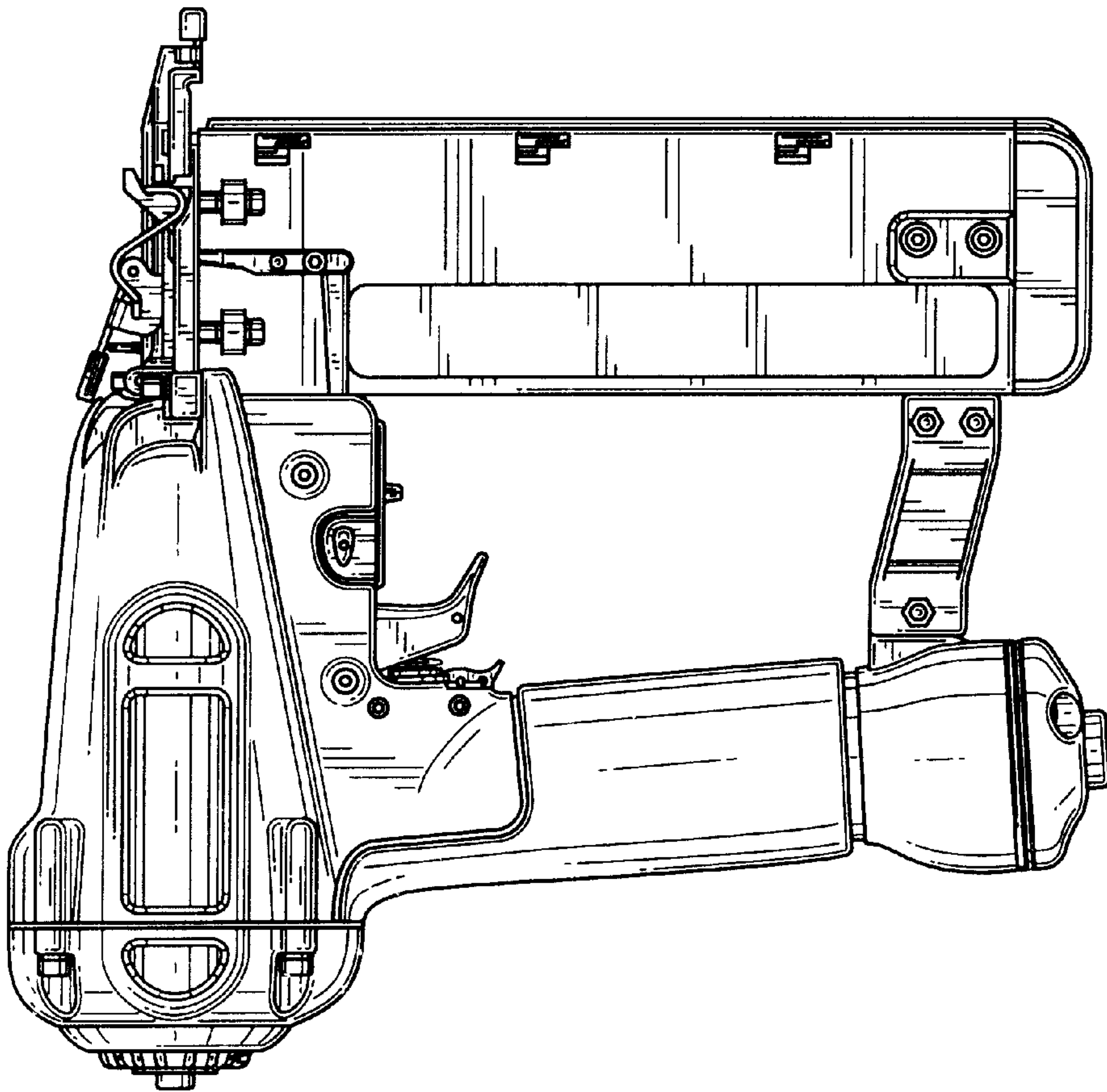


FIG. 2

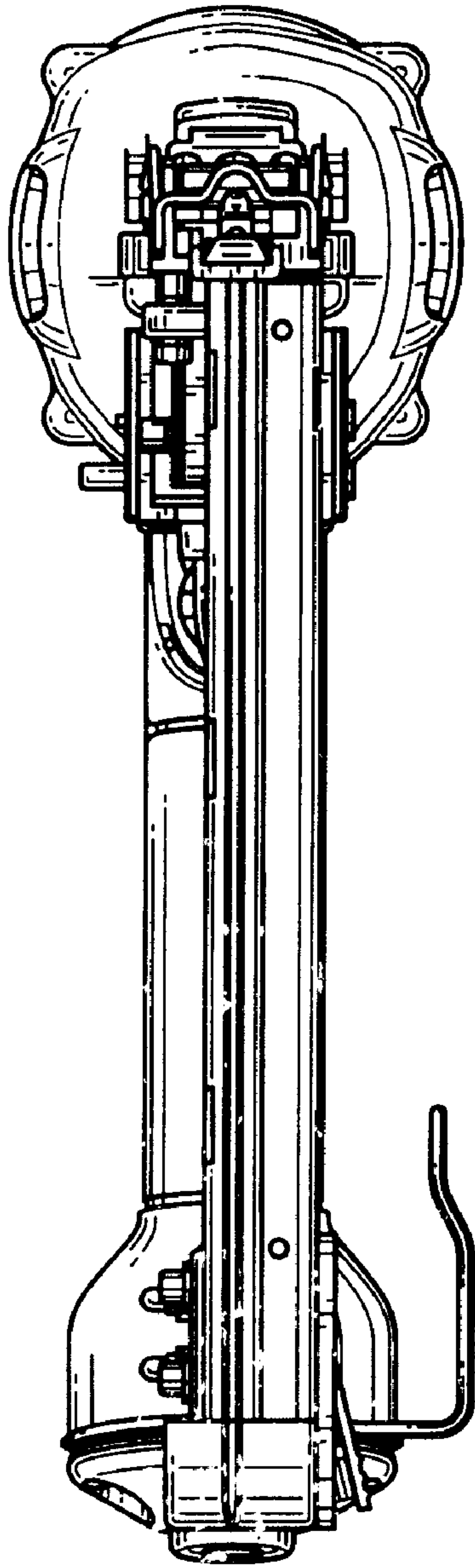


FIG. 3

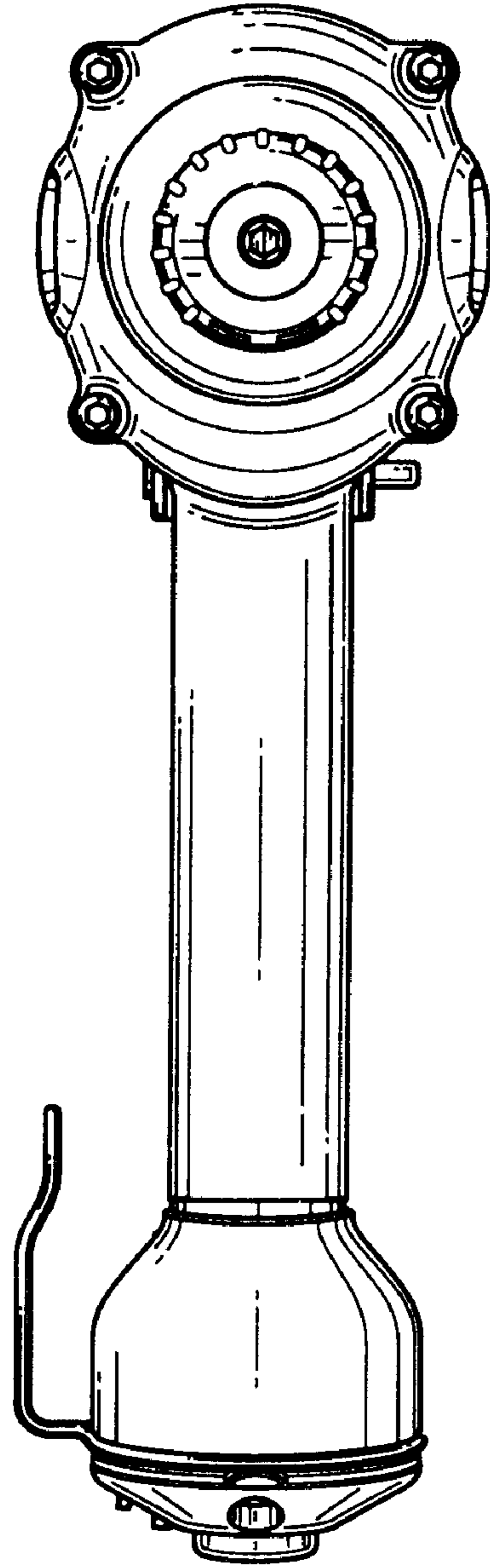


FIG. 4

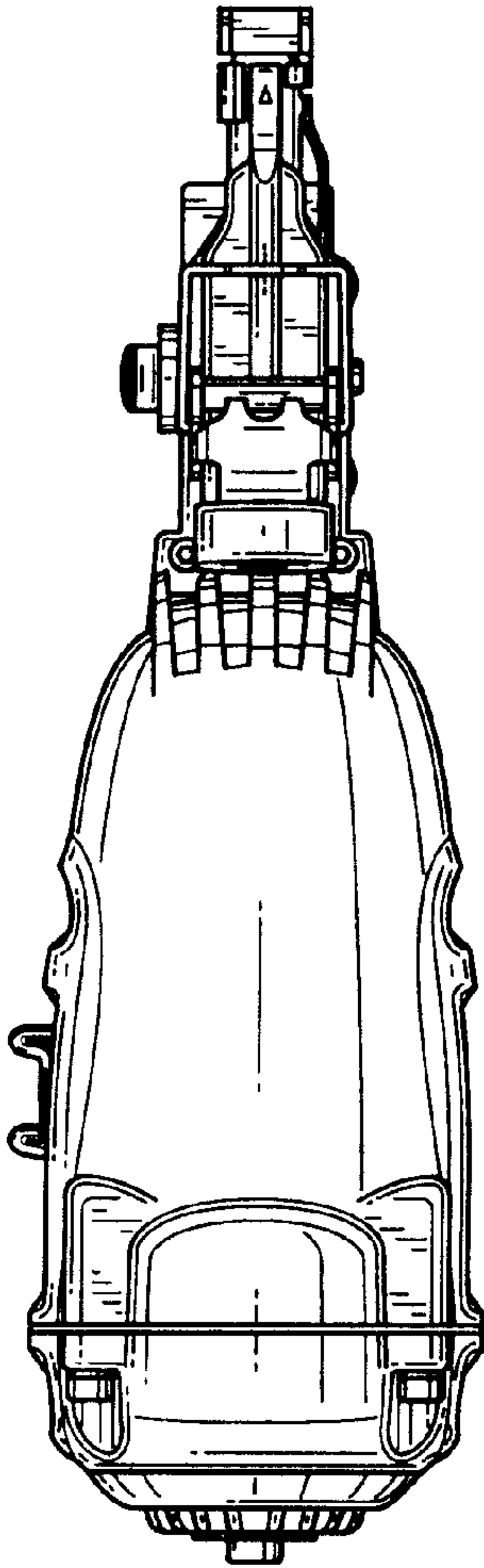


FIG. 5

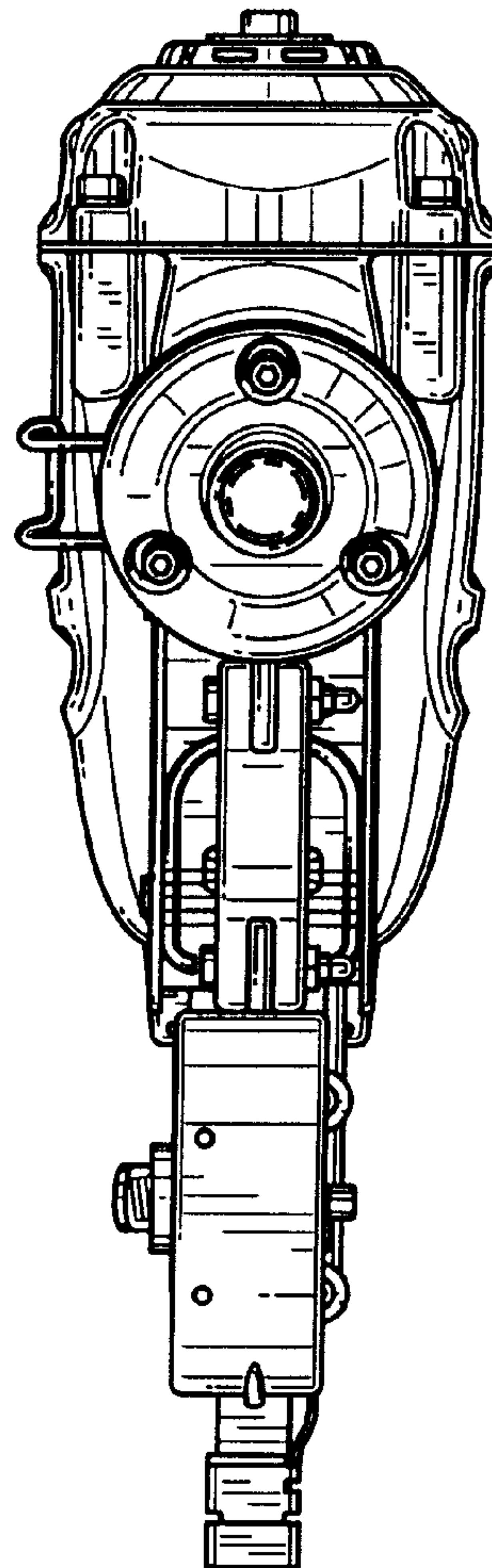


FIG. 6

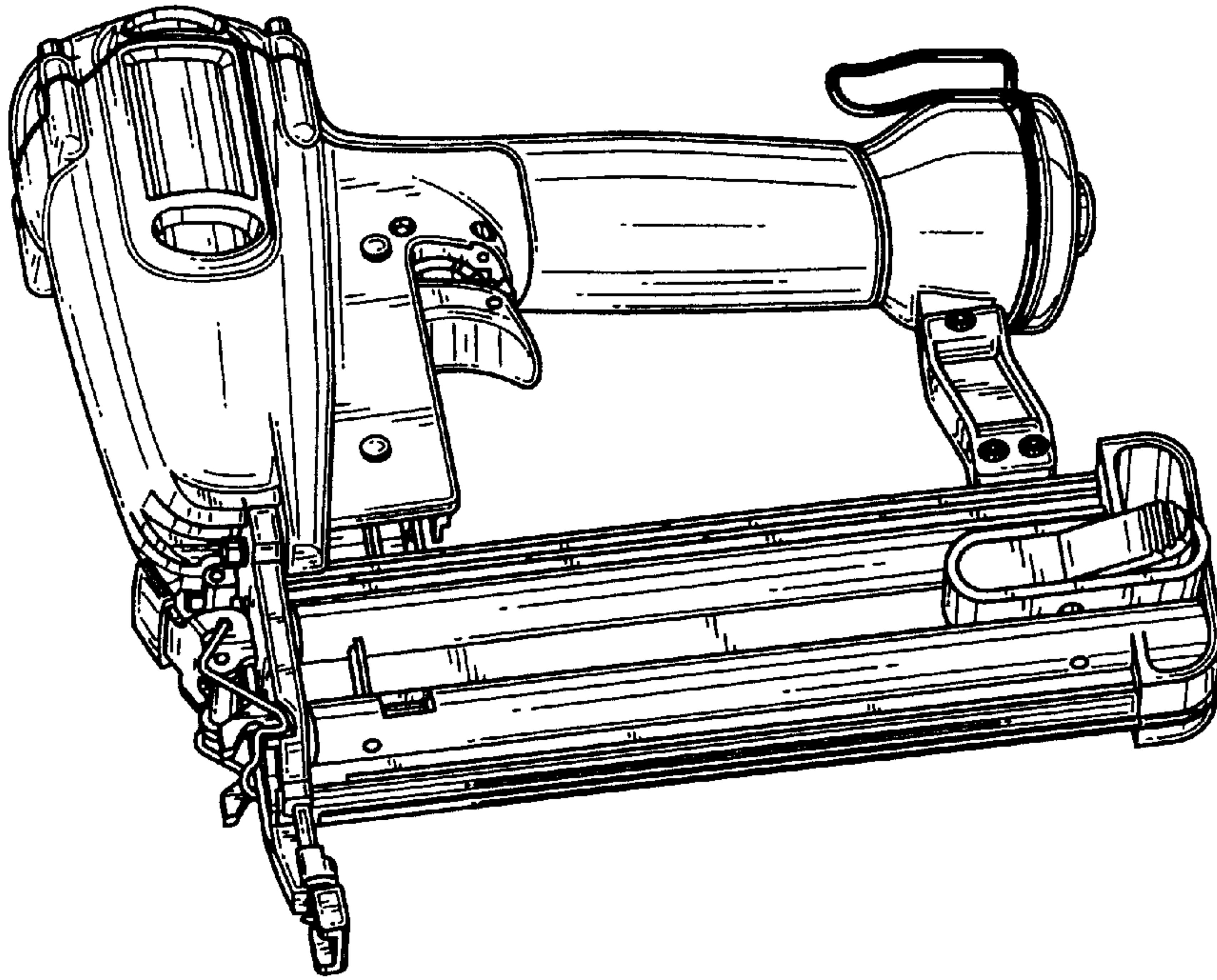


FIG. 7

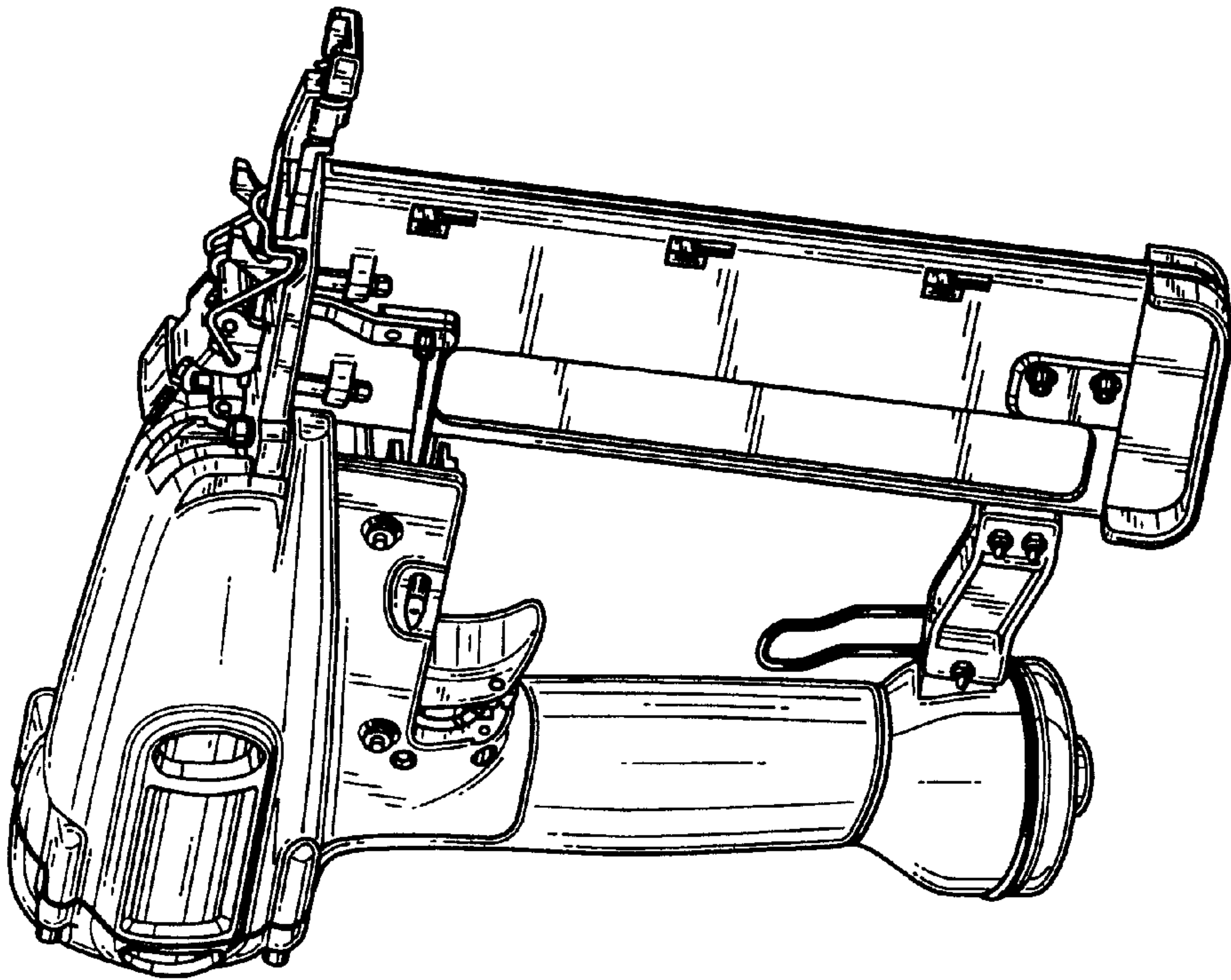


FIG. 8