



US00D459179S

(12) **United States Design Patent**  
**Morgan**

(10) **Patent No.:** **US D459,179 S**  
(45) **Date of Patent:** **\*\* Jun. 25, 2002**

(54) **PNEUMATIC TOOL**  
(75) **Inventor:** **Fred M. Morgan**, Jackson, TN (US)  
(73) **Assignee:** **DeVilbiss Air Power Company**,  
Jackson, TN (US)  
(\*\*) **Term:** **14 Years**

D294,001 S \* 2/1988 Greenlee et al. .... D8/68  
D378,891 S \* 4/1997 Sung ..... D8/68  
D396,620 S \* 8/1998 Sung ..... D8/68  
D410,830 S \* 6/1999 Pusateri et al. .... D8/68  
D434,298 S \* 11/2000 Izumisawa ..... D8/68  
6,158,459 A \* 12/2000 Chang ..... 81/489  
D437,760 S \* 2/2001 Izumisawa ..... D8/68  
D441,628 S \* 5/2001 Bass et al. .... D8/68

(21) **Appl. No.:** **29/149,143**  
(22) **Filed:** **Oct. 3, 2001**  
(51) **LOC (7) Cl.** ..... **08-05**  
(52) **U.S. Cl.** ..... **D8/68**  
(58) **Field of Search** ..... D8/49, 61, 62,  
D8/63, 64, 65, 66, 67, 68, 69, 70; 16/430;  
30/388; 81/52, 54, 55, 57.11, 57.13, 57.14,  
57.33, 57.42, 73, 177.1, 177.8, 177.85,  
409, 429, 436, 463, 464, 467, 469, 470,  
900, 901, DIG. 12; 173/13, 15, 19, 47,  
48, 81, 93, 93.5, 93.6, 94, 104, 109, 168,  
169, 170, 171, 176, 178, 180, 181, 213,  
216, 217, 221; 227/2, 8, 10, 66, 111, 112,  
113, 114, 115, 120, 130, 136; 400/156,  
181; 408/20, 120, 122, 124, 125, 234, 241 R,  
241 S; 451/344, 354, 357, 358, 359, 456

**OTHER PUBLICATIONS**

Light Assembly Air tools, impact wrench, #CP-9525-RSR,  
Chicago Pneumatic catalogue, p. 23.\*

\* cited by examiner

*Primary Examiner*—Doris V. Coles  
*Assistant Examiner*—T. Chase Nelson  
(74) *Attorney, Agent, or Firm*—Suiter & Associates PC

(57) **CLAIM**

The ornamental design for a pneumatic tool, as shown.

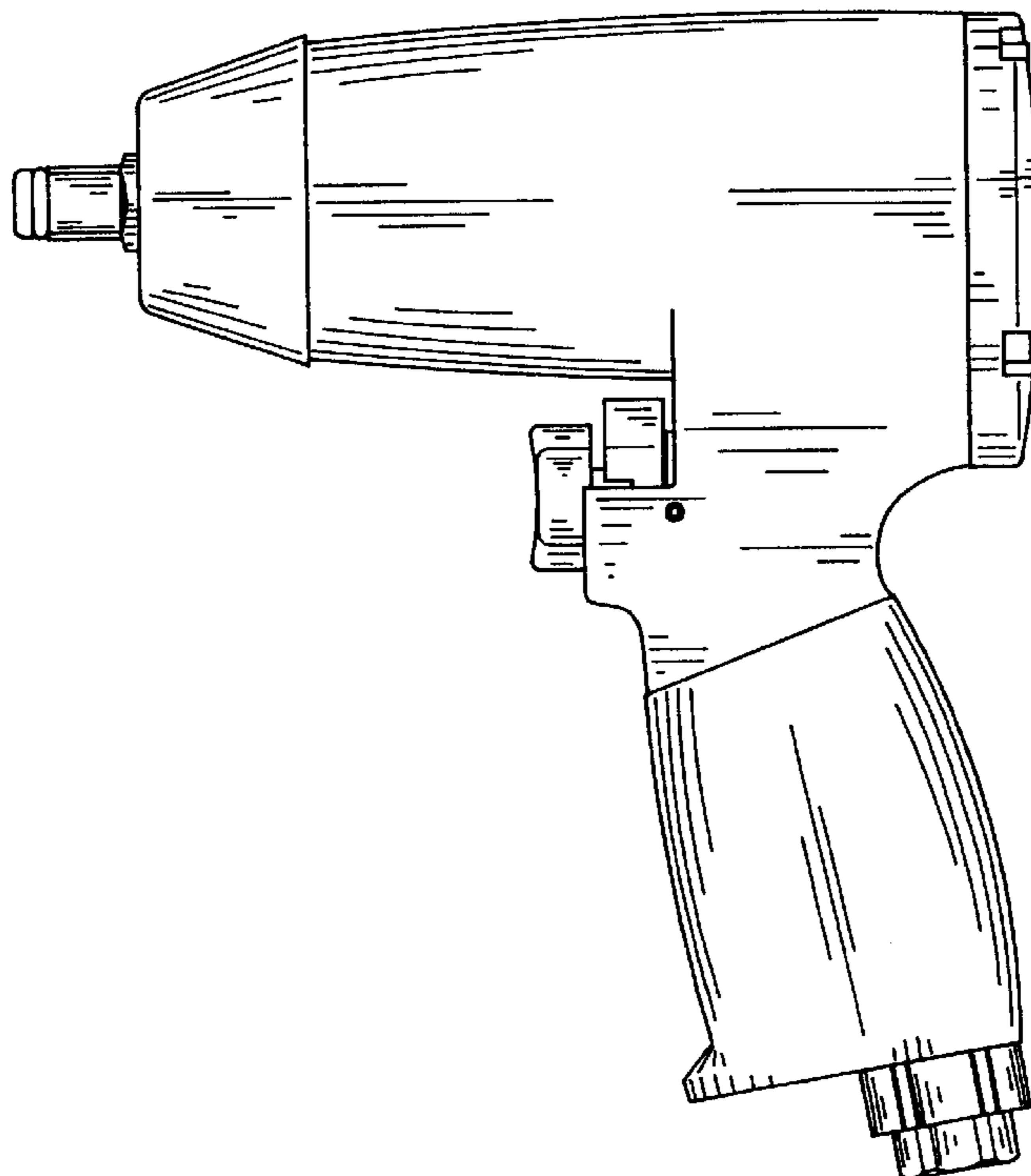
**DESCRIPTION**

FIG. 1 is top plan view of a pneumatic tool showing my new design;  
FIG. 2 is a front elevation view thereof;  
FIG. 3 is a left side elevation view thereof;  
FIG. 4 is rear elevation view thereof;  
FIG. 5 is a right side elevation view thereof; and,  
FIG. 6 is a bottom plan view thereof.

(56) **References Cited**  
**U.S. PATENT DOCUMENTS**

2,966,138 A \* 12/1960 Quackenbush ..... 173/213  
3,901,631 A \* 8/1975 Wickham et al. .... D8/68

**1 Claim, 2 Drawing Sheets**



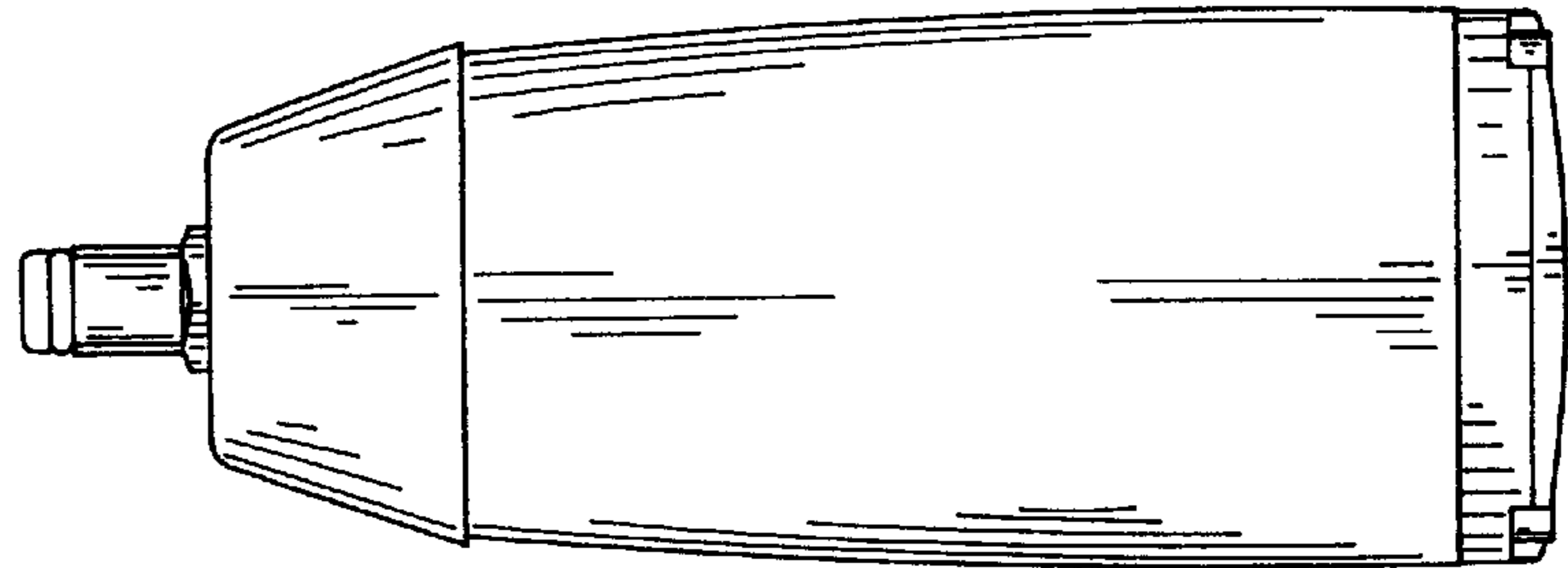


FIG. 1

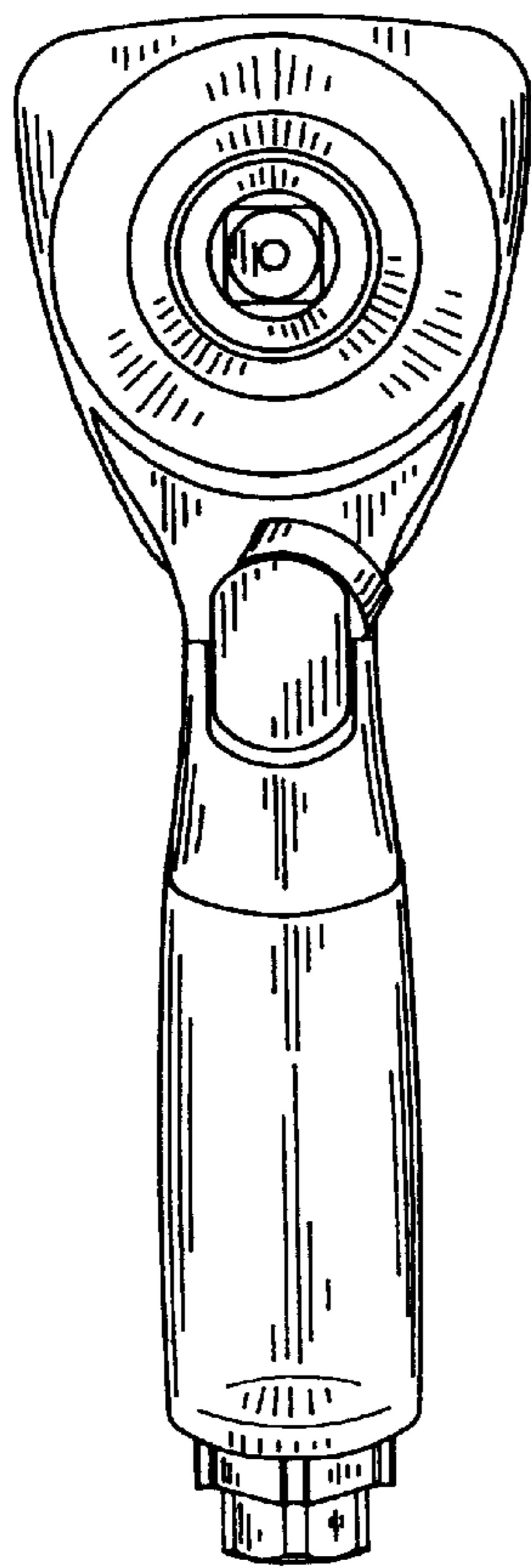


FIG. 2

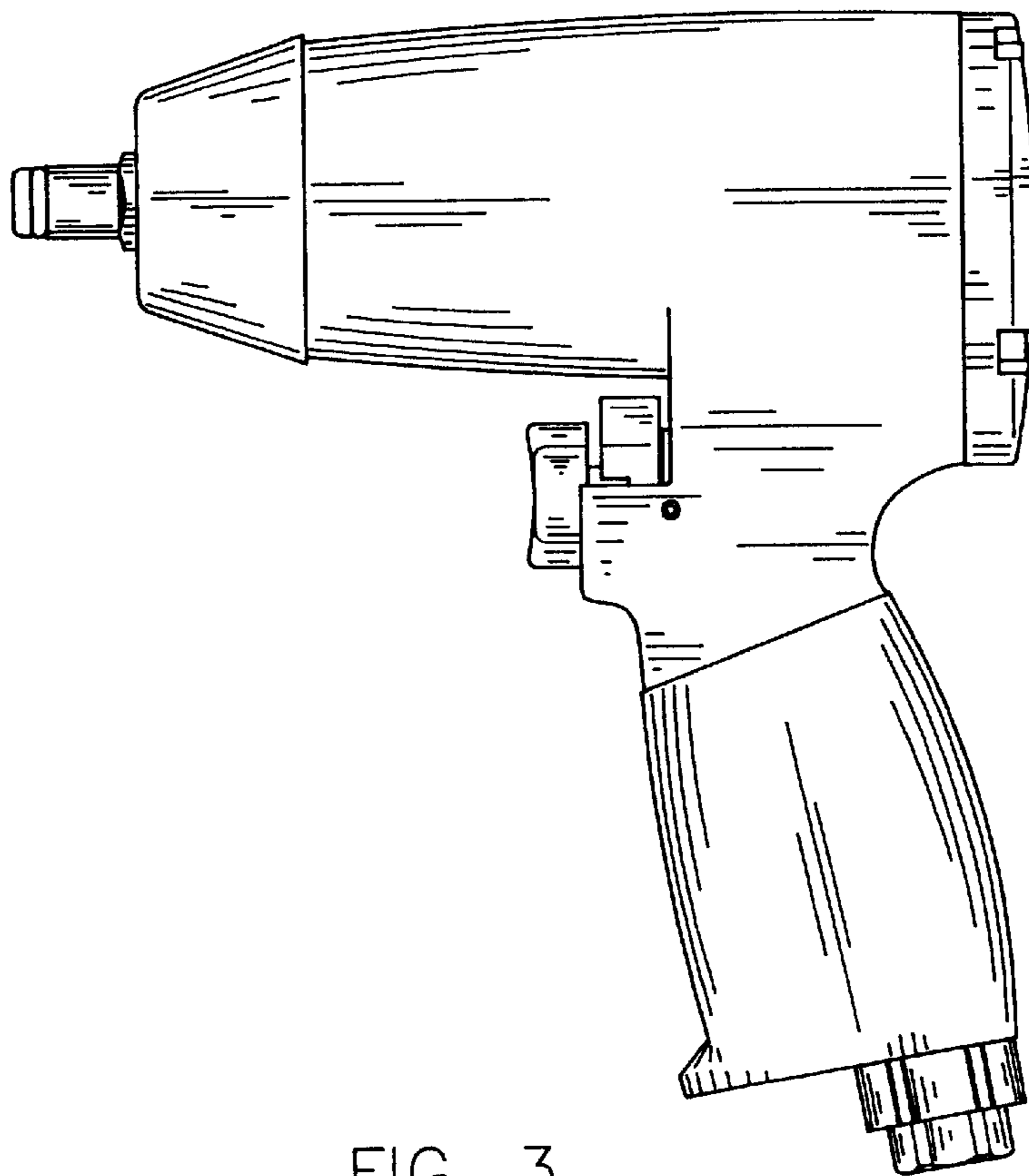


FIG. 3

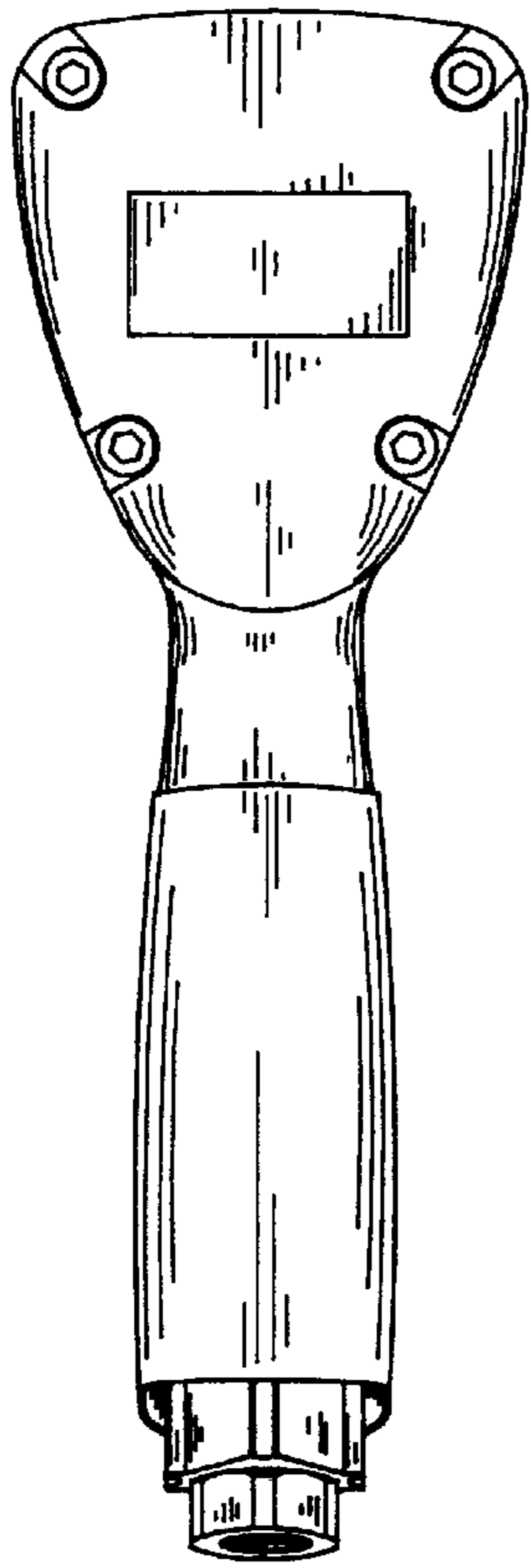


FIG. 4

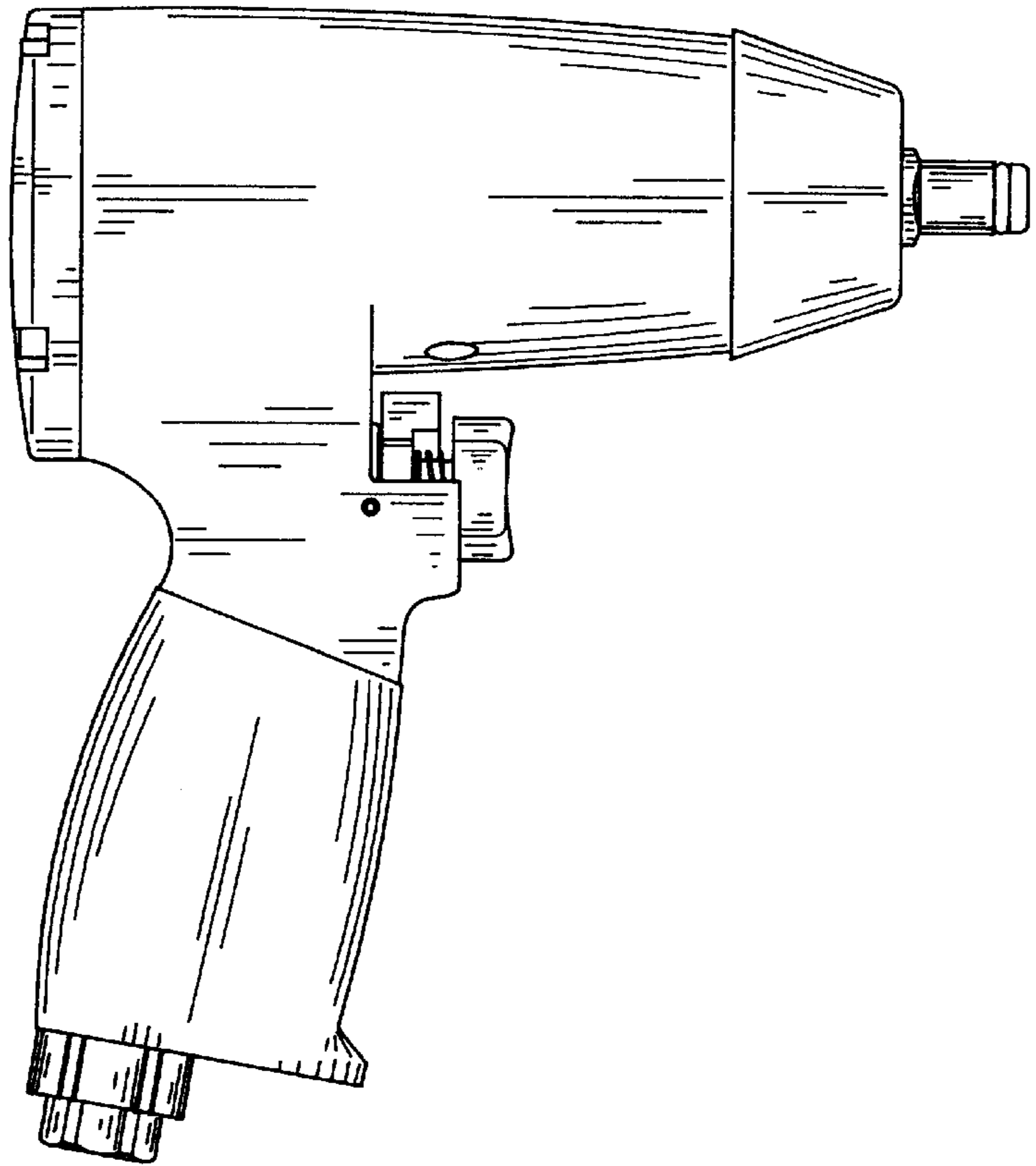


FIG. 5

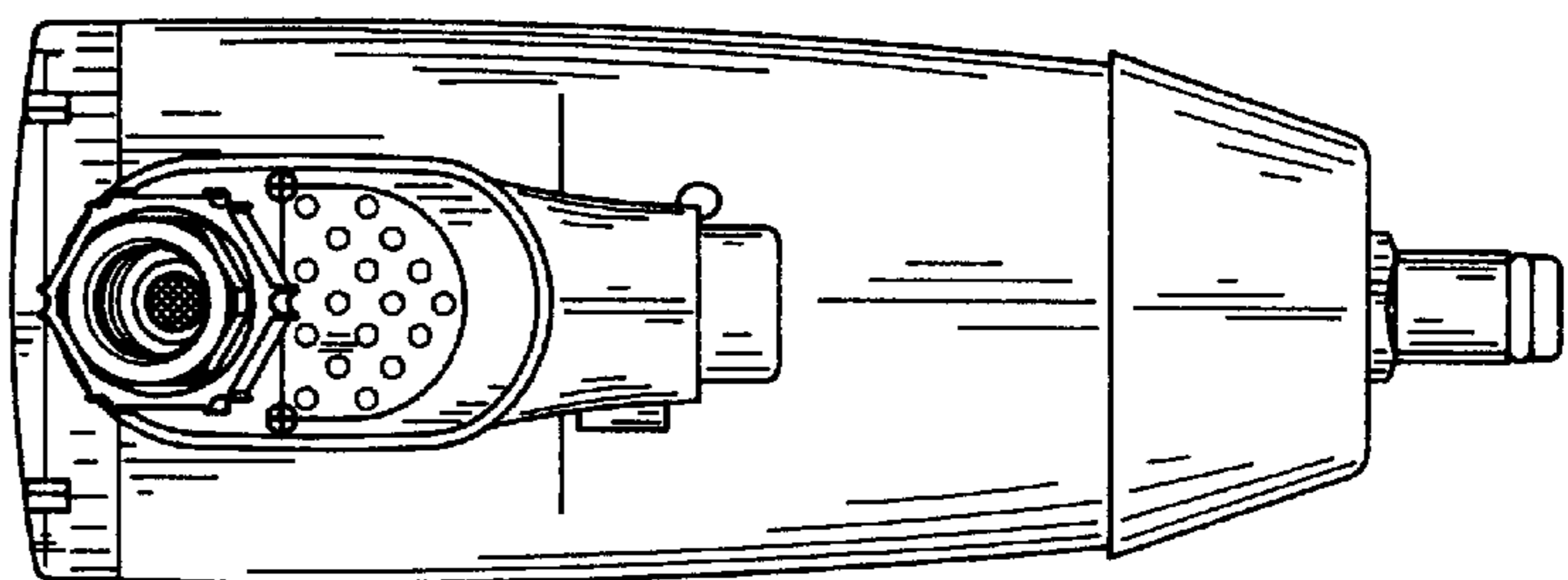


FIG. 6