



US00D459177S

(12) **United States Design Patent**  
**Chen**

(10) **Patent No.:** **US D459,177 S**

(45) **Date of Patent:** **\*\* Jun. 25, 2002**

(54) **PNEUMATIC TOOL**

(76) **Inventor:** **Ting-Yuan Chen**, No. 9, Lane 276,  
Alley 37, Sec. 1, Ya Huan Rd., Ta Ya  
Hsiang, Taichung Hsien (TW)

(\*\*) **Term:** **14 Years**

(21) **Appl. No.:** **29/144,108**

(22) **Filed:** **Jun. 27, 2001**

(51) **LOC (7) Cl.** ..... **08-05**

(52) **U.S. Cl.** ..... **D8/68**

(58) **Field of Search** ..... D8/49, 61, 62,  
D8/63, 64, 65, 66, 67, 68, 69, 70; 16/430;  
30/388; 81/52, 54, 55, 57.11, 57.13, 57.14,  
57.33, 57.42, 73, 177.1, 177.8, 177.85,  
409, 429, 436, 463, 464, 467, 469, 470,  
900, 901, DIG. 12; 173/13, 15, 19, 47,  
48, 81, 93, 93.5, 93.6, 94, 104, 109, 168,  
169, 170, 171, 176, 178, 180, 181, 213,  
216, 217, 221; 227/2, 8, 10, 66, 111, 112,  
113, 114, 115, 120, 130, 136; 400/156,  
181; 408/20, 120, 122, 124, 125, 234, 241 R,  
241 S; 451/344, 354, 357, 358, 359, 456

(56) **References Cited**

**U.S. PATENT DOCUMENTS**

D289,136 S \* 4/1987 Doman ..... D8/68  
D299,411 S \* 1/1989 Porcaro ..... D8/68

5,953,965 A \* 9/1999 Kaneyama et al. .... 81/469  
D427,871 S \* 7/2000 Price ..... D8/62  
6,149,356 A \* 11/2000 Chu et al. .... 81/466  
D444,365 S \* 7/2001 Bass et al. .... D8/68  
D447,033 S \* 8/2001 Izumisawa ..... D8/68

**OTHER PUBLICATIONS**

Sioux Professional Power Tools, Industrial Air Screwdrivers,  
No. 2P2307, Catalogue #871, p. 31.\*

\* cited by examiner

*Primary Examiner*—Doris V. Coles

*Assistant Examiner*—T. Chase Nelson

(74) *Attorney, Agent, or Firm*—Rosenberg, Klein & Lee

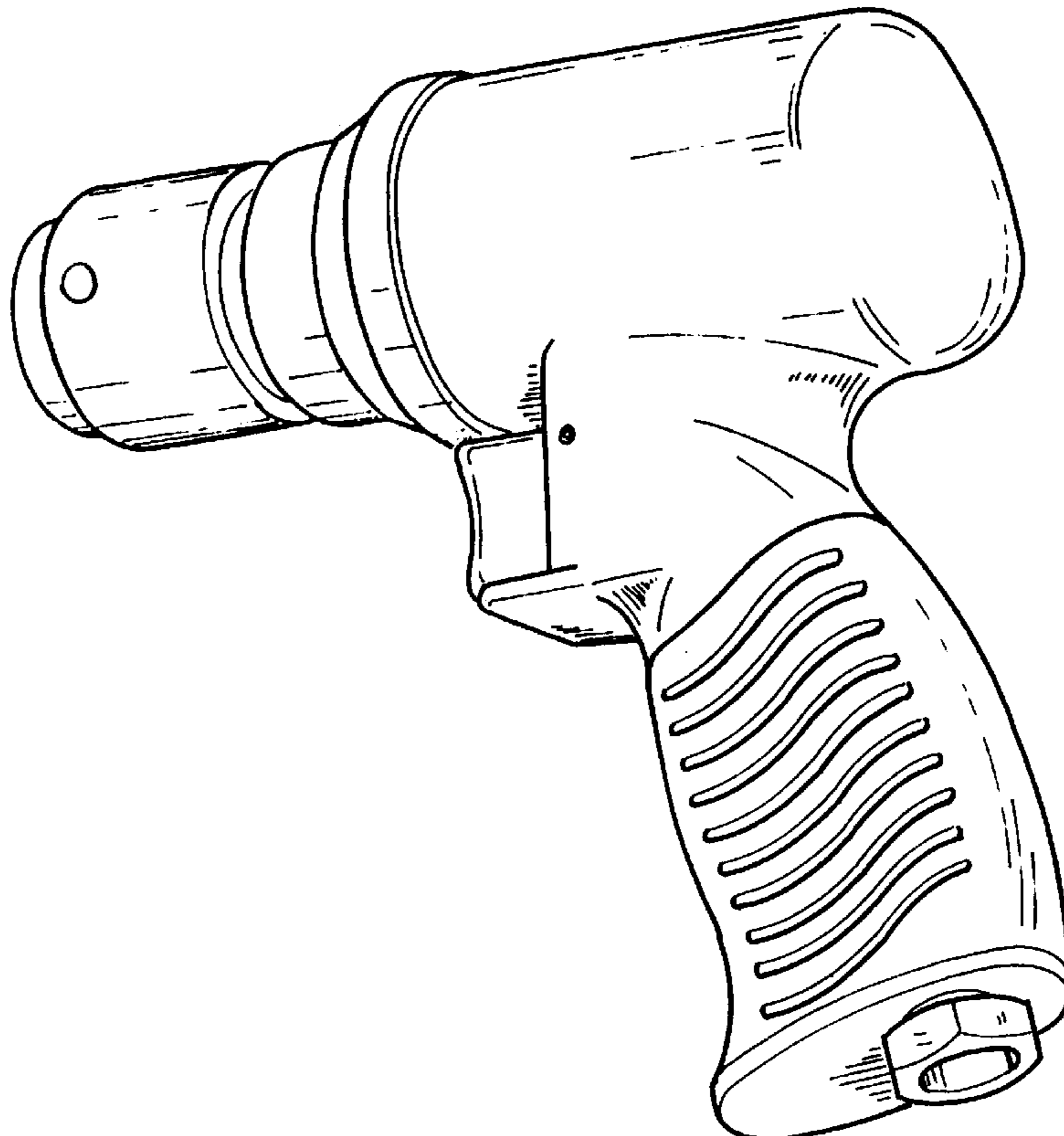
(57) **CLAIM**

The ornamental design for a pneumatic tool, as shown and  
described.

**DESCRIPTION**

FIG. 1 is a perspective view of a pneumatic tool, showing  
my new design;  
FIG. 2 is a front elevational view thereof;  
FIG. 3 is a rear elevational view thereof;  
FIG. 4 is a right side view thereof;  
FIG. 5 is a left side view thereof;  
FIG. 6 is a top view thereof; and,  
FIG. 7 is a bottom view thereof.

**1 Claim, 5 Drawing Sheets**



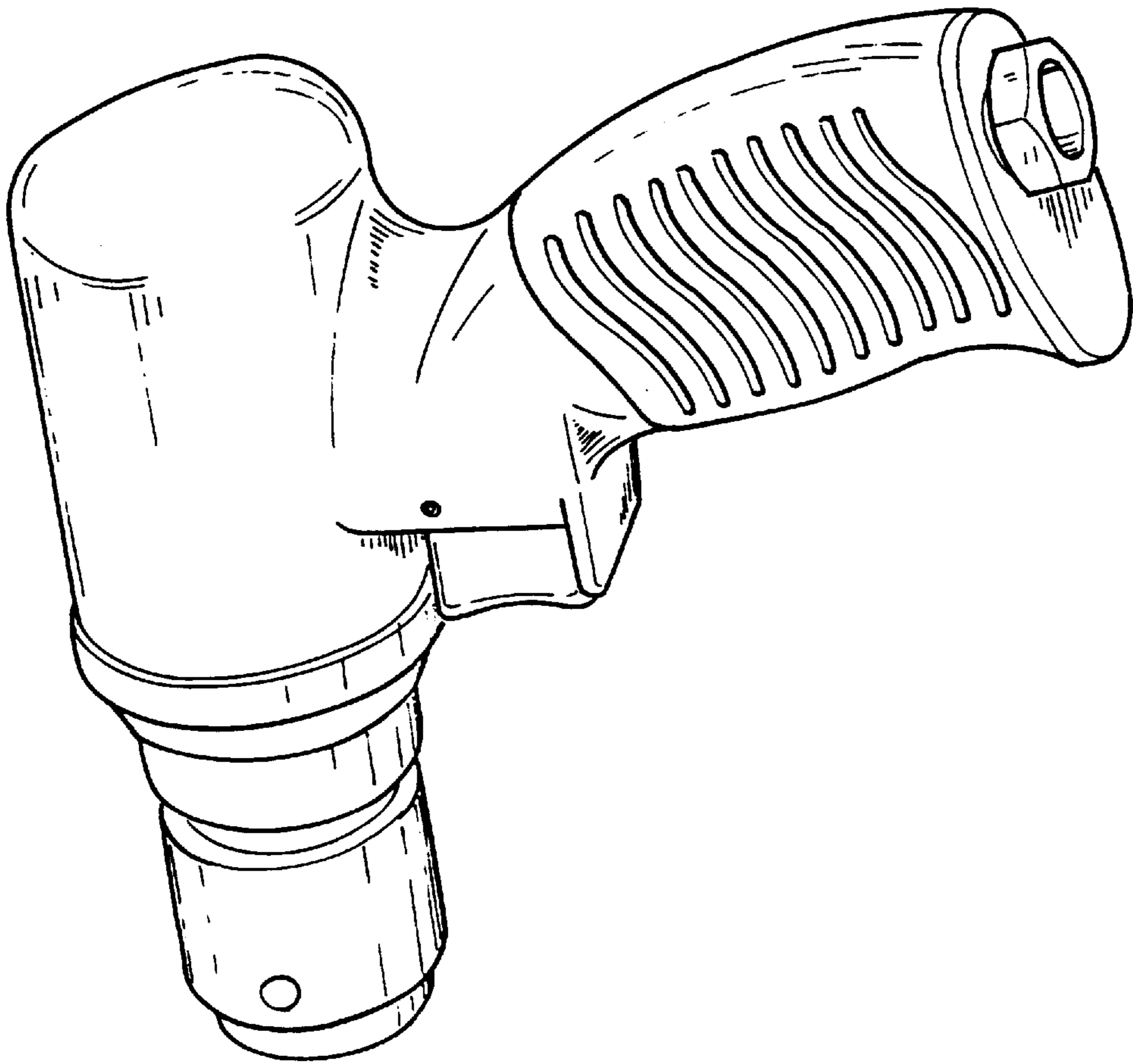


FIG.1

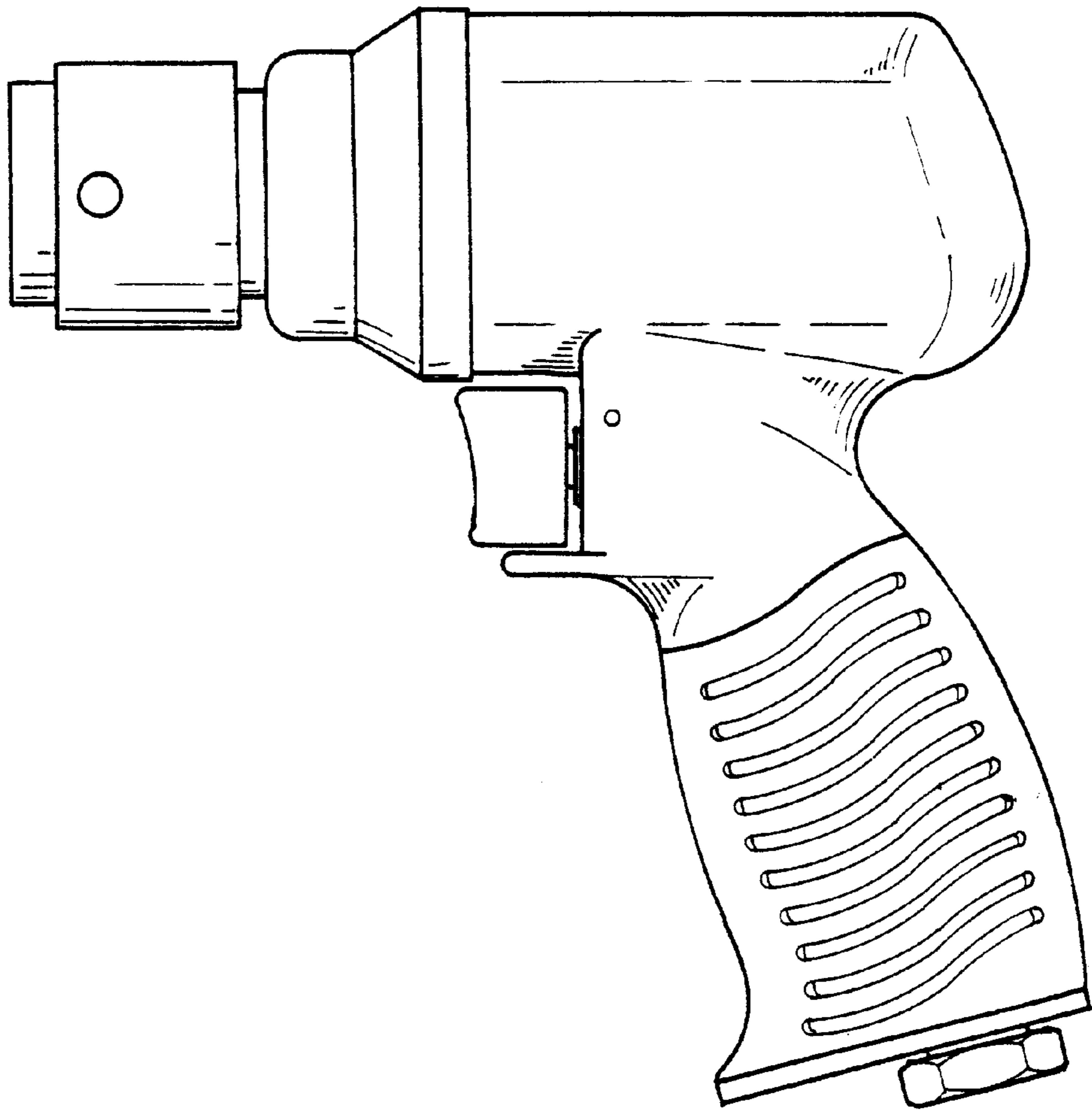


FIG.2

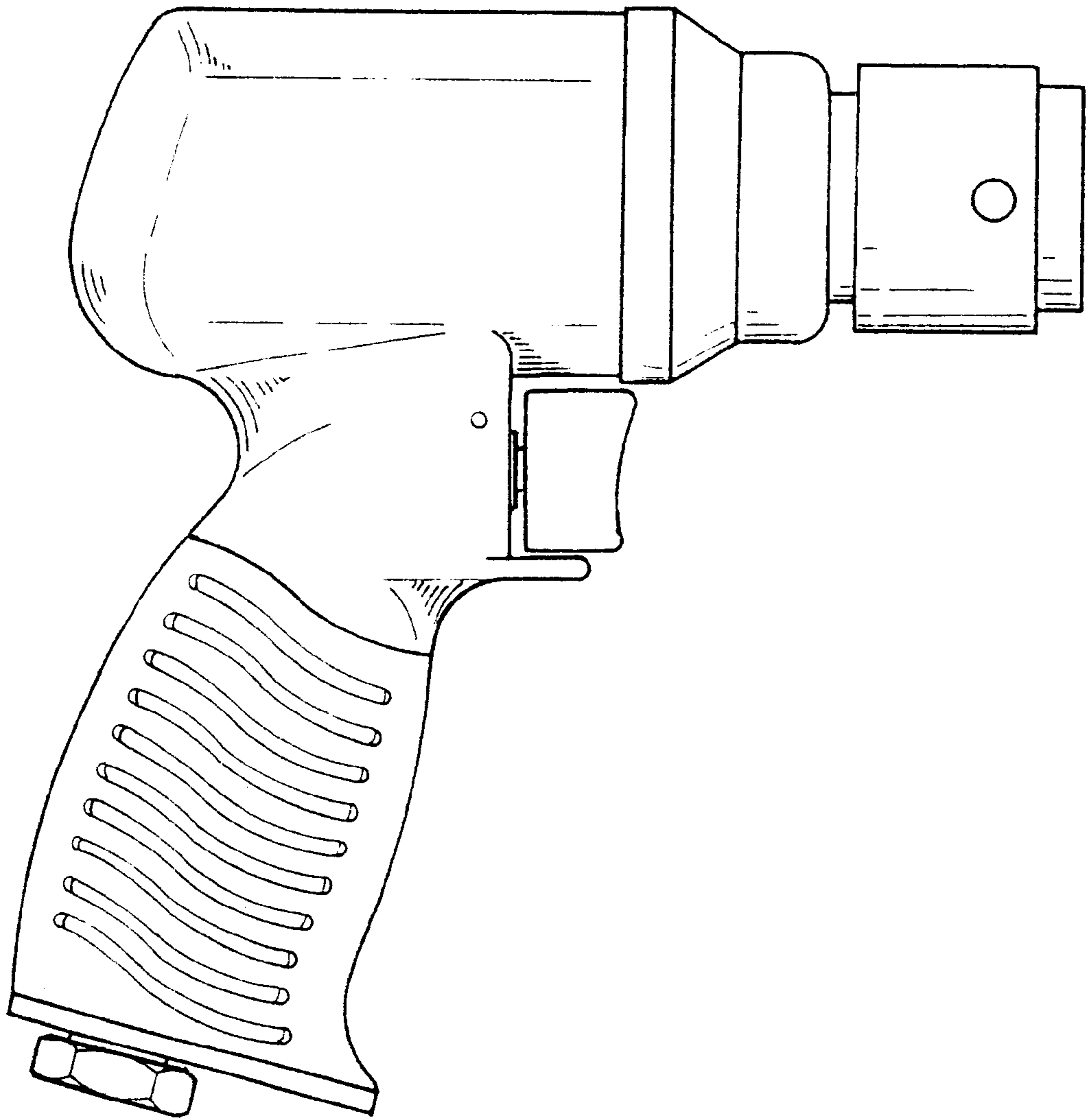


FIG.3

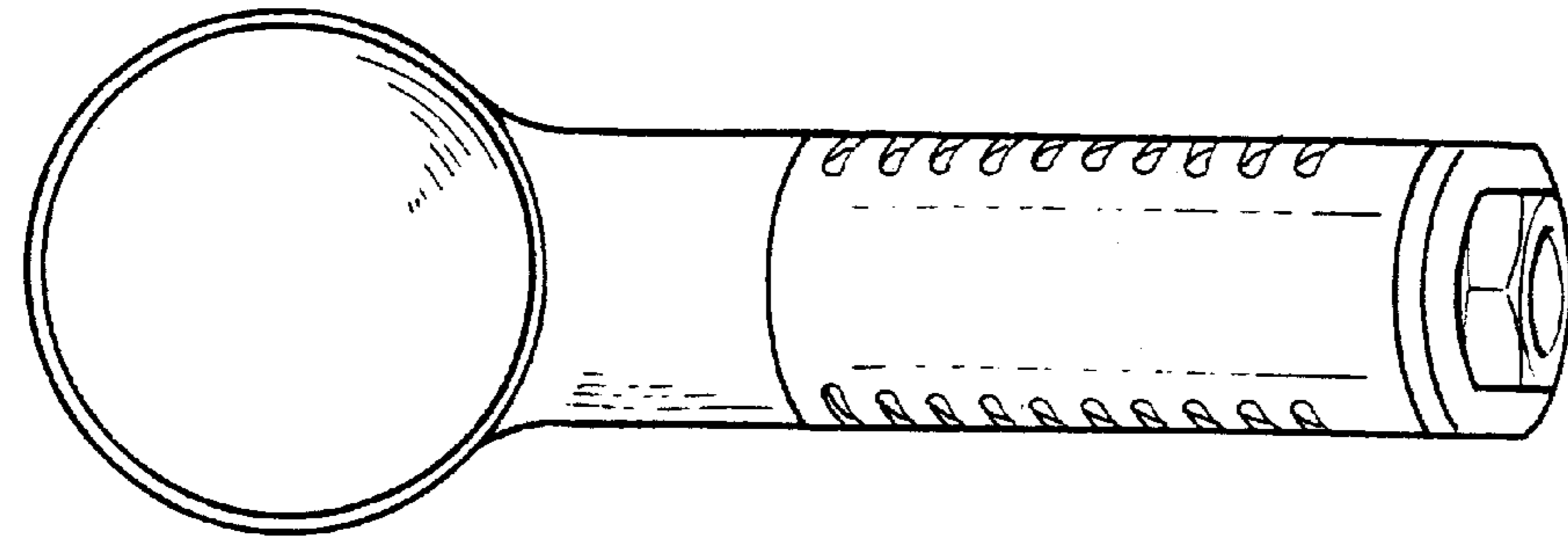


FIG. 5

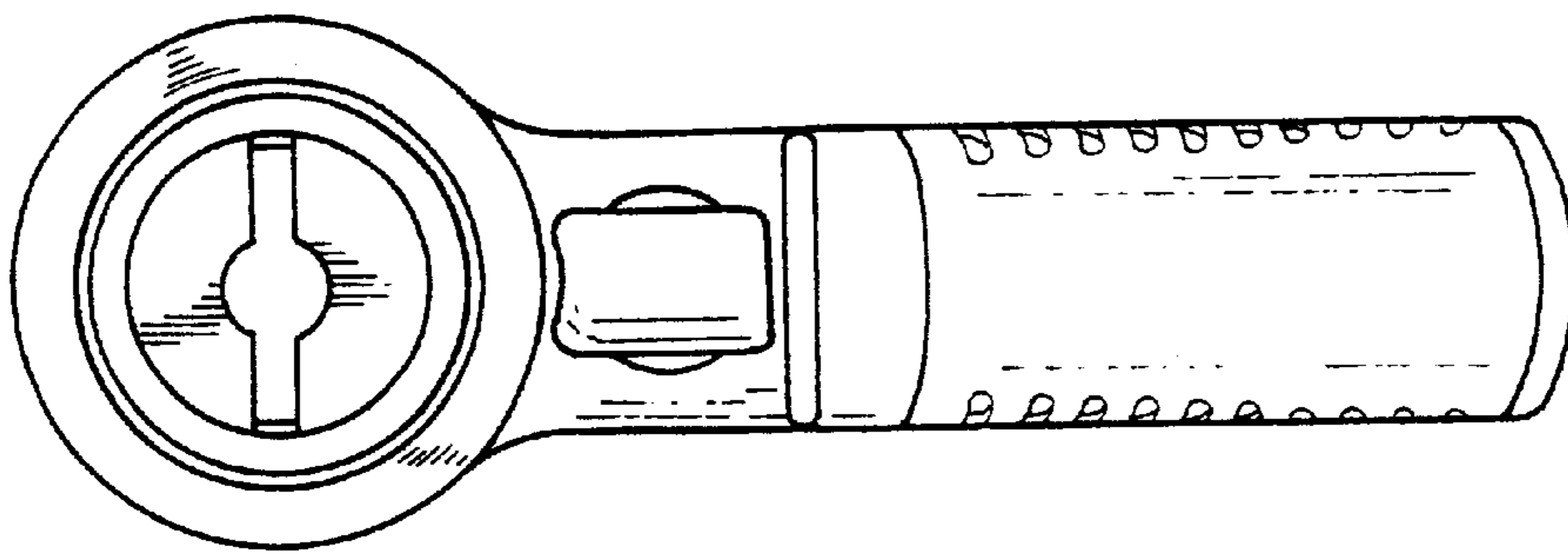


FIG. 4

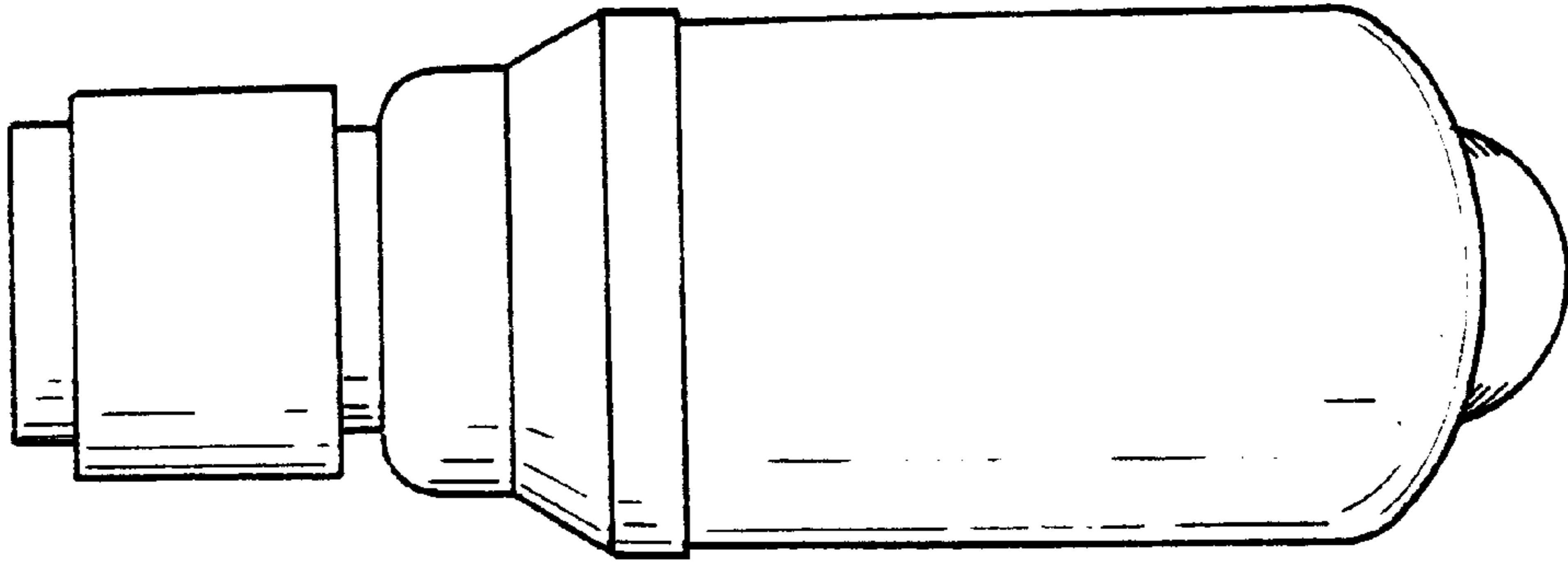


FIG. 6

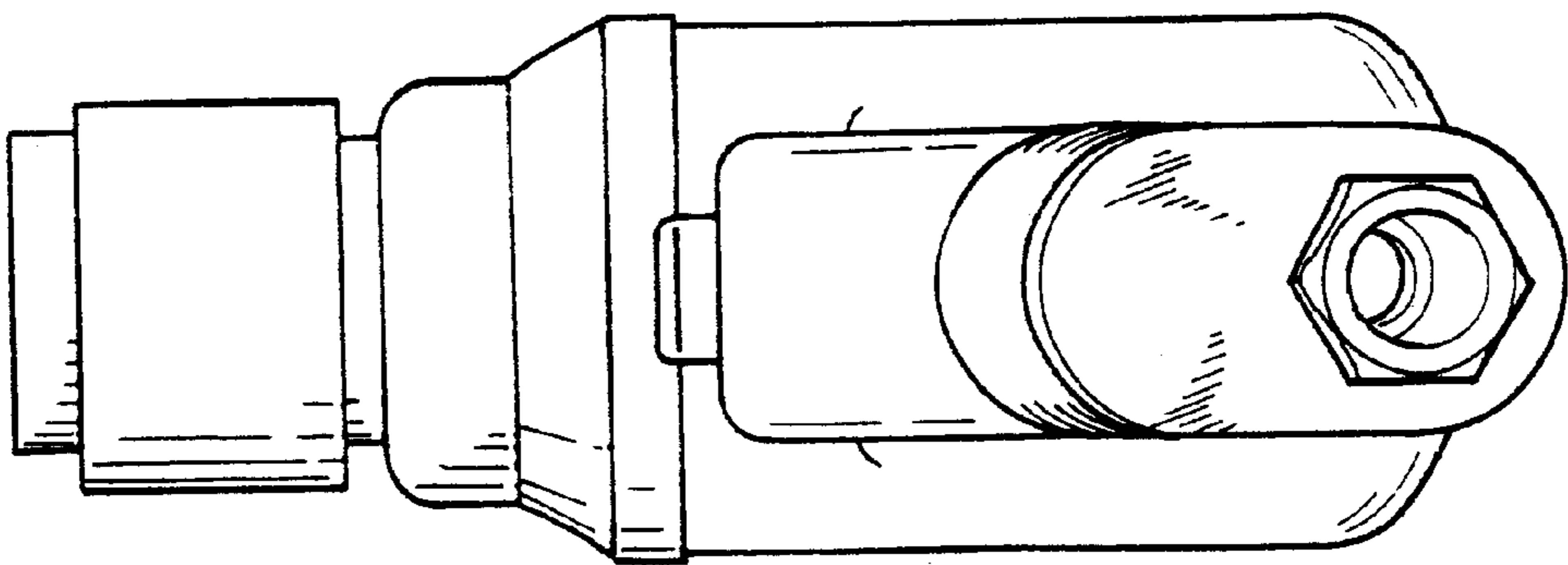


FIG. 7