



US00D459176S

(12) **United States Design Patent**  
**Duennes**

(10) **Patent No.:** **US D459,176 S**

(45) **Date of Patent:** **\*\* Jun. 25, 2002**

(54) **HAND-HELD ROTARY TOOL**

(75) **Inventor:** **Mark D. Duennes**, Glenview, IL (US)

(73) **Assignee:** **S-B Power Tool Company**, Chicago, IL (US)

(\*\*) **Term:** **14 Years**

(21) **Appl. No.:** **29/141,103**

(22) **Filed:** **Apr. 30, 2001**

(51) **LOC (7) Cl.** ..... **08-05**

(52) **U.S. Cl.** ..... **D8/61**

(58) **Field of Search** ..... D8/25, 61, 62,  
D8/64, 67, 68; 81/54, 57, 57.11, 57.13,  
57.14, 57.42, 57.29, 58, 57.39, 60, 61,  
62, 63, 63.1, 63.2, 469, 474; 173/169, 170,  
182, 217; 451/357, 358, 359; 310/50

(56) **References Cited**

**U.S. PATENT DOCUMENTS**

3,873,863 A \* 3/1975 Pew ..... 310/50  
4,777,393 A \* 10/1988 Peot ..... 310/50  
D325,502 S \* 4/1992 Rahm et al. .... D8/61

5,298,821 A \* 3/1994 Michel ..... 310/50  
5,929,386 A \* 7/1999 Hornick ..... 174/135  
D414,668 S 10/1999 Duennes et al.

\* cited by examiner

*Primary Examiner*—Doris V. Coles

*Assistant Examiner*—Elizabeth A. Albert

(74) *Attorney, Agent, or Firm*—Leo H McCormick, Jr.;  
Warren Comstock

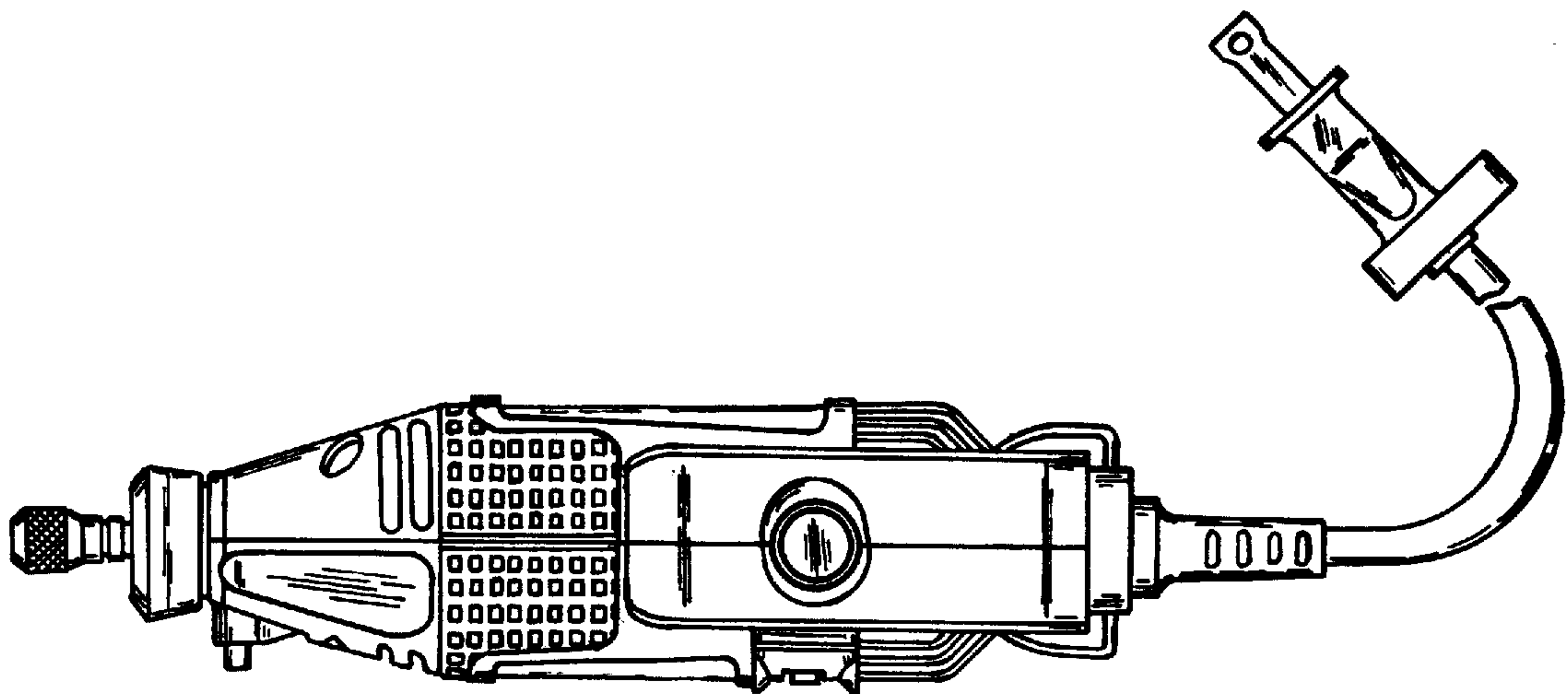
(57) **CLAIM**

The ornamental design for a hand-held rotary tool, as shown and described.

**DESCRIPTION**

FIG. 1 is a top plan view of a hand-held rotary tool with the end of the cord broken away for illustrative purposes only showing my new design;  
FIG. 2 is a left side elevation view thereof;  
FIG. 3 is a bottom plan view thereof;  
FIG. 4 is a right side elevation view thereof;  
FIG. 5 is a front elevation view thereof; and,  
FIG. 6 is a rear elevation view thereof.

**1 Claim, 2 Drawing Sheets**



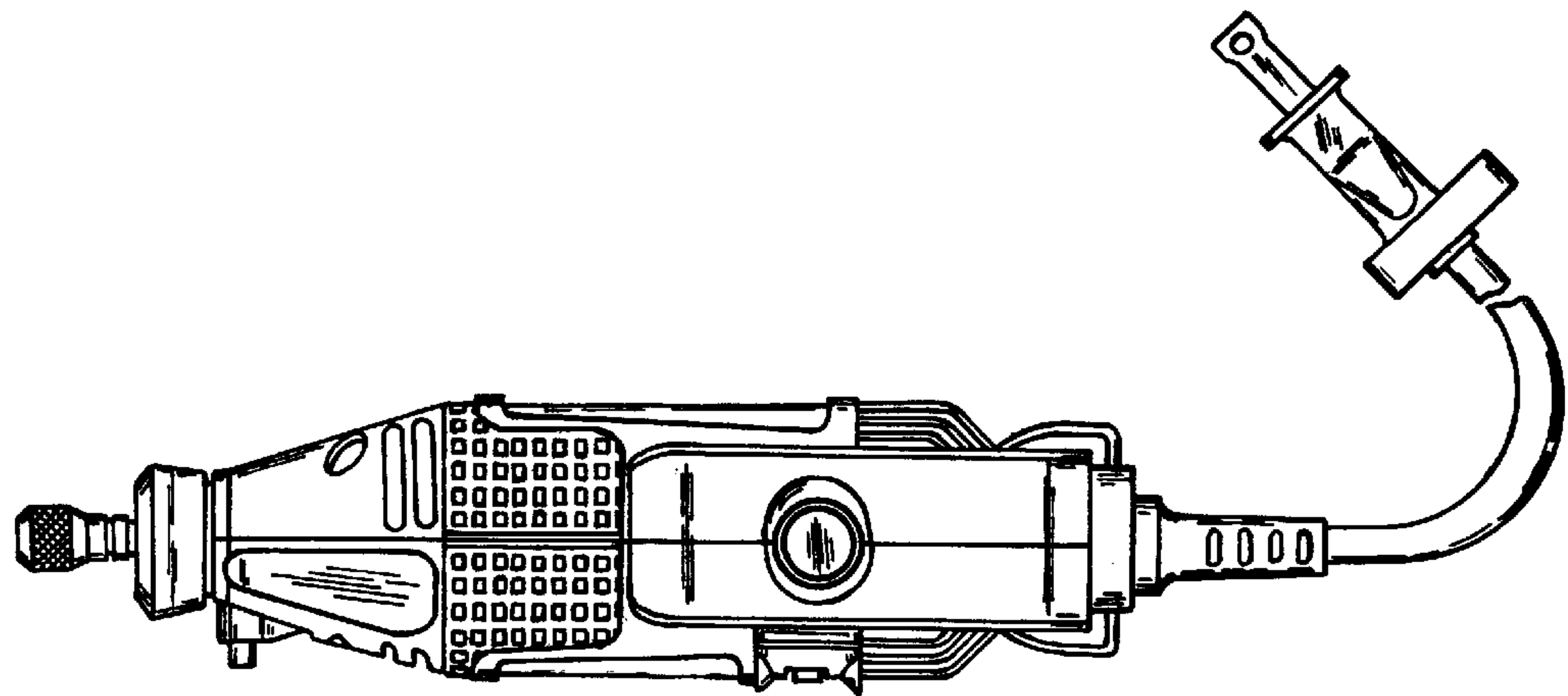


FIG. 1

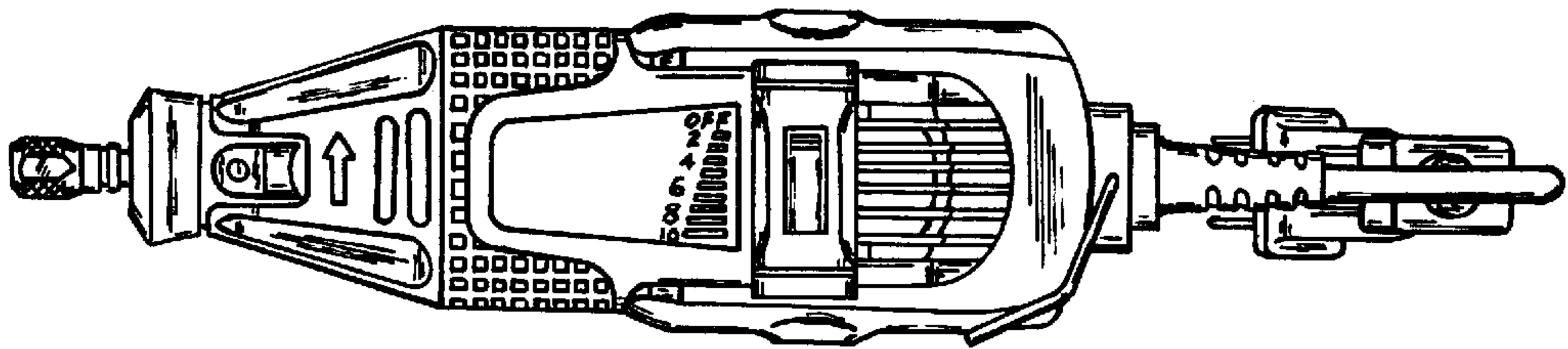


FIG. 2

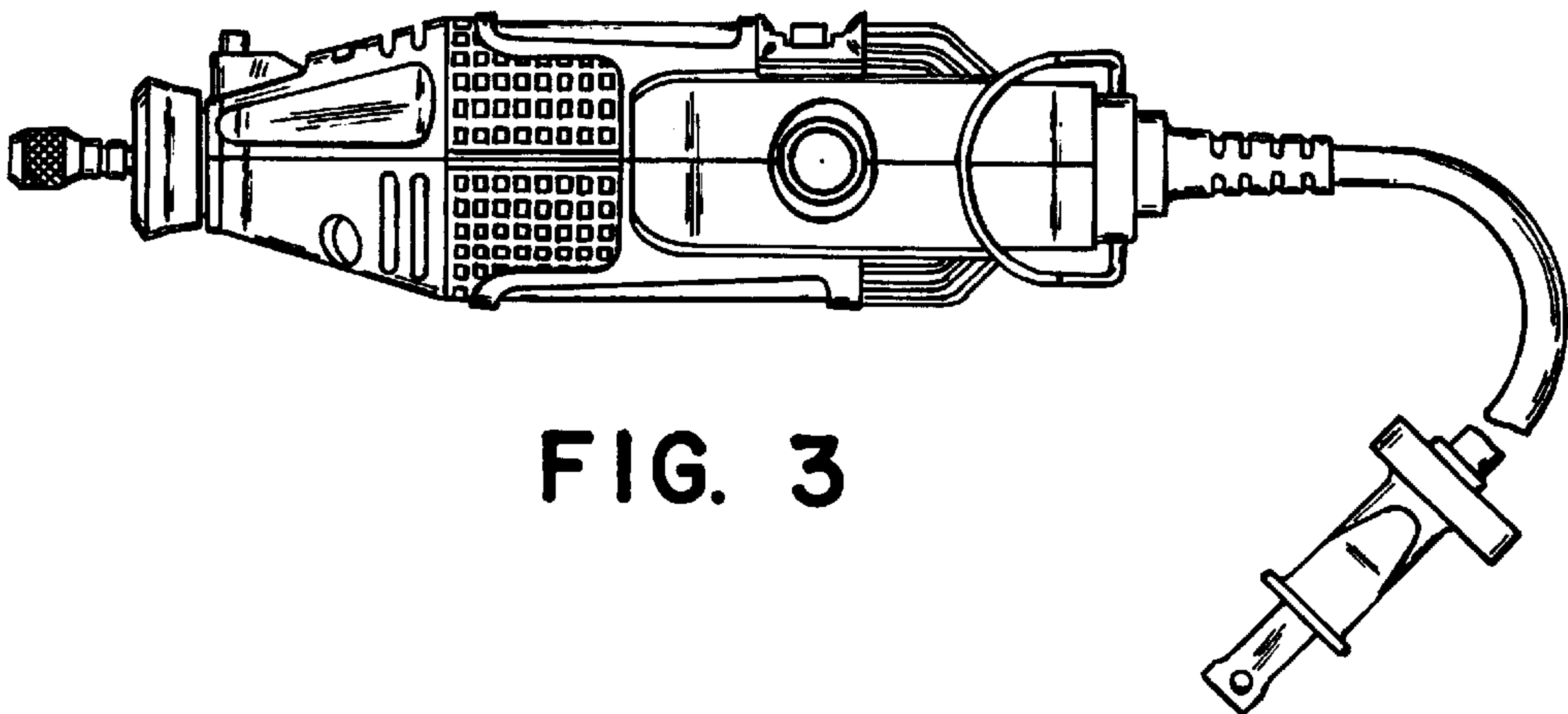


FIG. 3

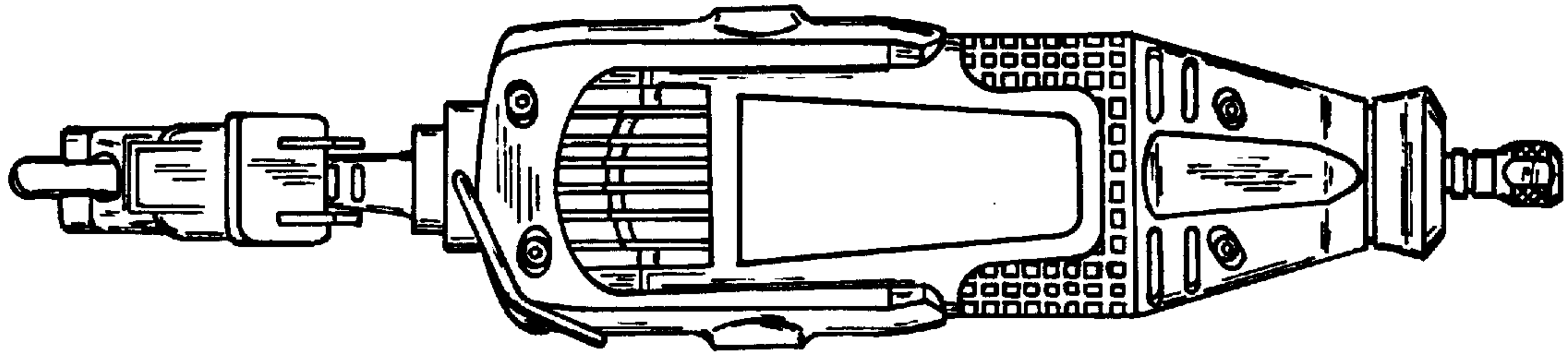


FIG. 4

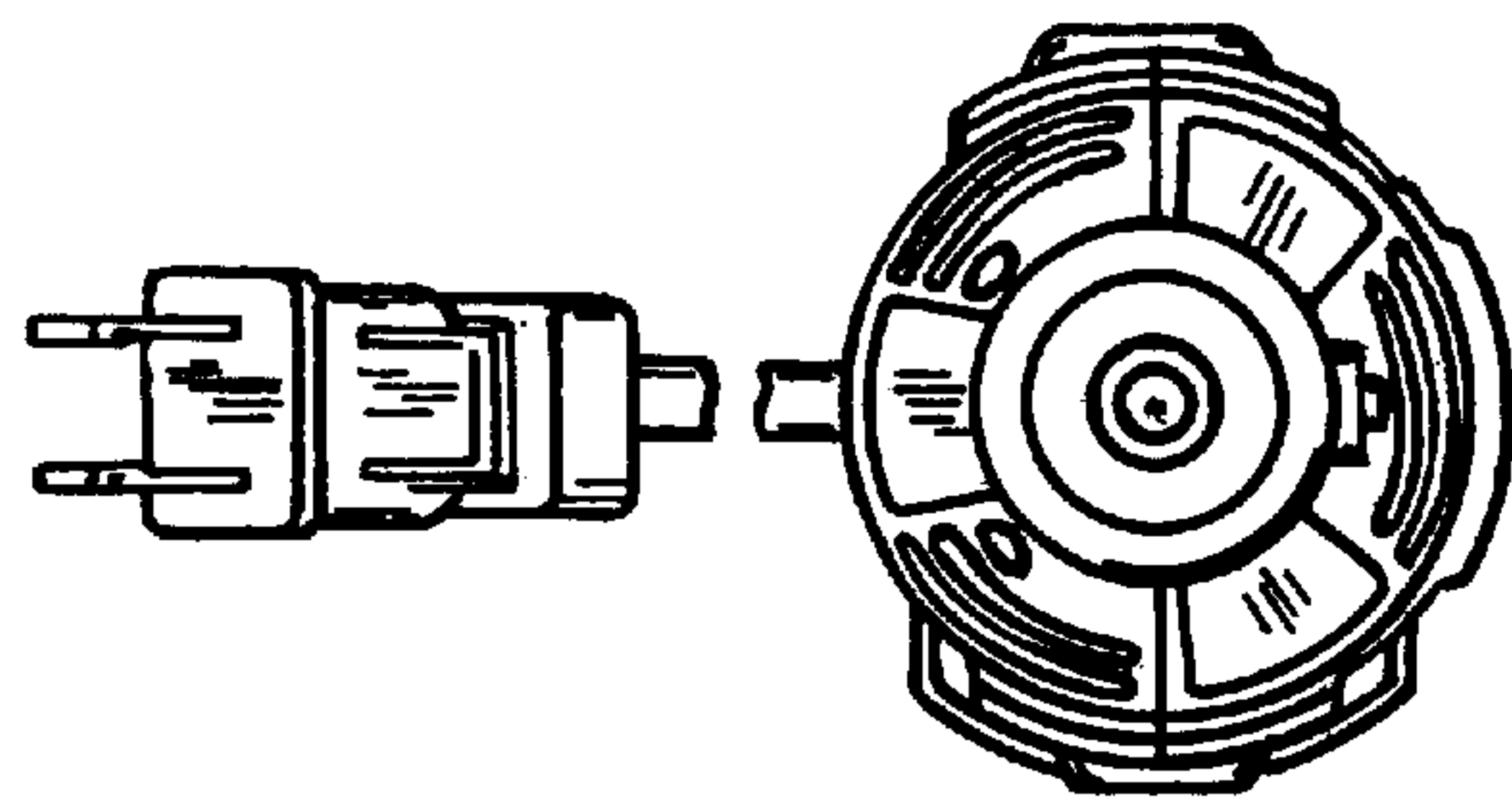


FIG. 5

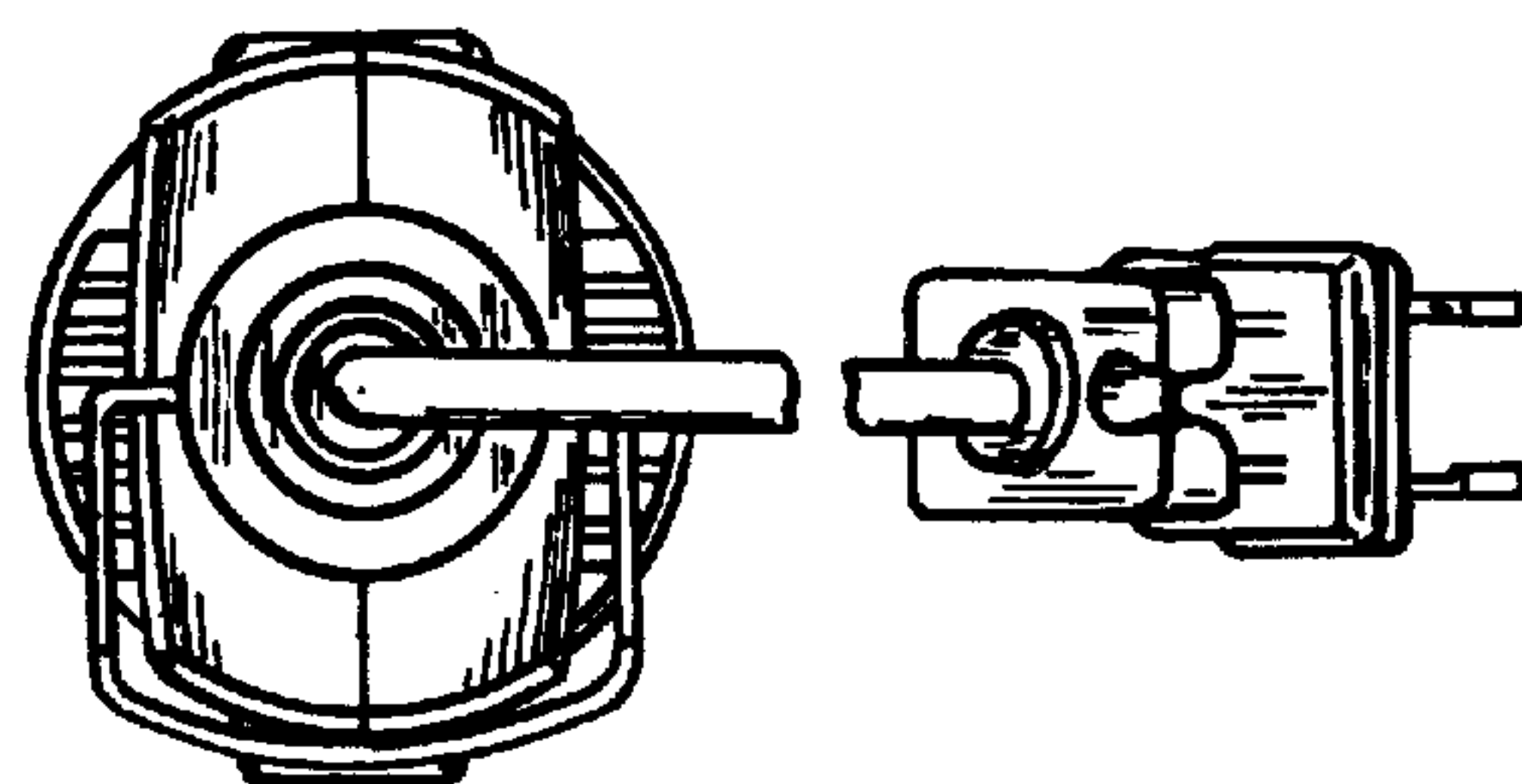


FIG. 6