



US00D459175S

(12) **United States Design Patent**  
**Monteil**

(10) **Patent No.:** **US D459,175 S**

(45) **Date of Patent:** **\*\* \*Jun. 25, 2002**

(54) **CONCRETE GROOVE TOOL**

5,846,176 A \* 12/1998 Zieger et al. .... 492/13

(76) Inventor: **Joseph E. Monteil**, 3702 E. 233<sup>rd</sup> St.,  
Cleveland, MO (US) 64734

\* cited by examiner

(\* ) Notice: This patent is subject to a terminal dis-  
claimer.

*Primary Examiner*—Philip S. Hyder  
(74) *Attorney, Agent, or Firm*—Lathrop & Gage LC

(\*\*) Term: **14 Years**

(57) **CLAIM**

The ornamental design for a concrete groove tool, as shown  
and described.

(21) Appl. No.: **29/121,447**

**DESCRIPTION**

(22) Filed: **Apr. 6, 2000**

(51) **LOC (7) Cl.** ..... **08-05**

(52) **U.S. Cl.** ..... **D8/45**

(58) **Field of Search** ..... D8/45, 14, 51;  
492/13, 19; 15/230.11, 244.2; 404/124,  
122, 117

FIG. 1 is a perspective view of the concrete groove tool  
showing the new design;

FIG. 2 is a front view of the concrete groove tool, the rear  
view side being a mirror image thereof;

FIG. 3 is a left side view of the concrete groove tool, the  
right side view being a mirror image thereof;

FIG. 4 is a bottom plan view of the concrete groove tool;  
and,

FIG. 5 is a top plan view of the concrete groove tool.

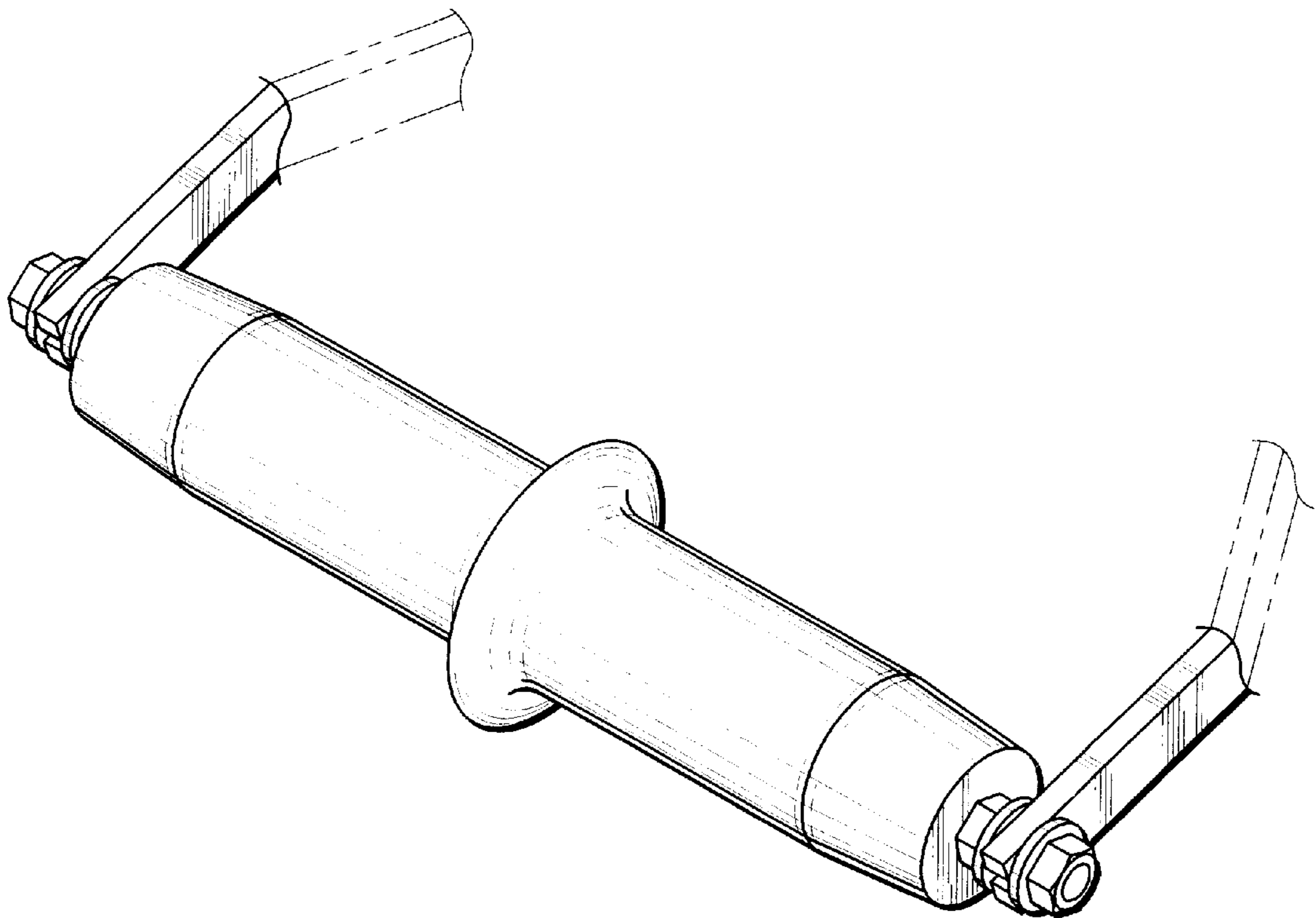
The broken lines of FIGS. 1, 2, and 3 depict portions of a  
concrete finishing tool incorporating the concrete groove  
tool but do not form any part of the claimed design.

(56) **References Cited**

**U.S. PATENT DOCUMENTS**

- 1,592,250 A \* 7/1926 Yerkes
- 4,476,806 A \* 10/1984 Lubniewski et al. .... 118/110
- 4,742,597 A \* 5/1988 LaFlamme ..... 15/244.2
- 5,228,799 A \* 7/1993 Sondreal ..... 404/124
- 5,480,259 A \* 1/1996 Thrower ..... 404/117

**1 Claim, 1 Drawing Sheet**



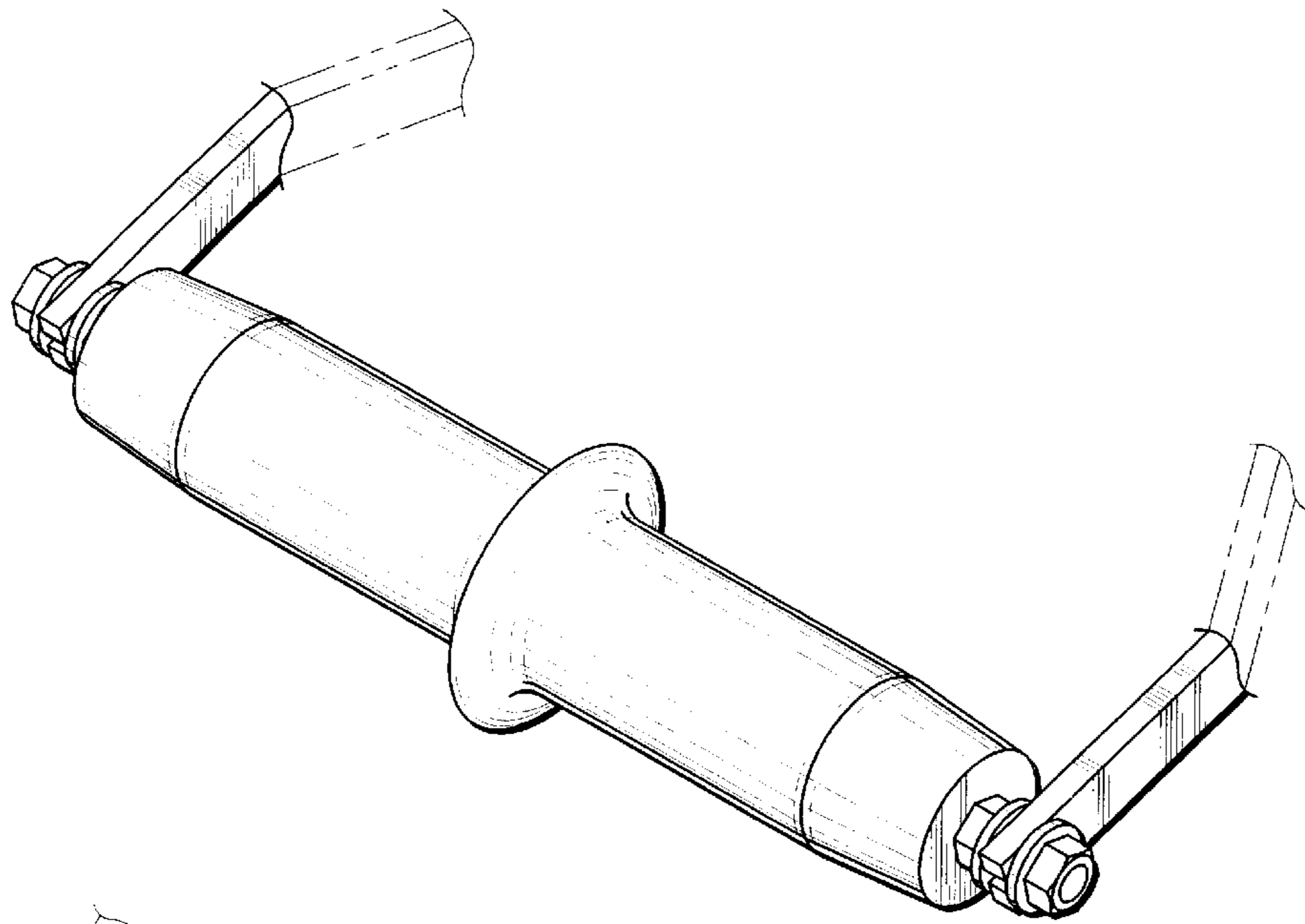


FIG. 1

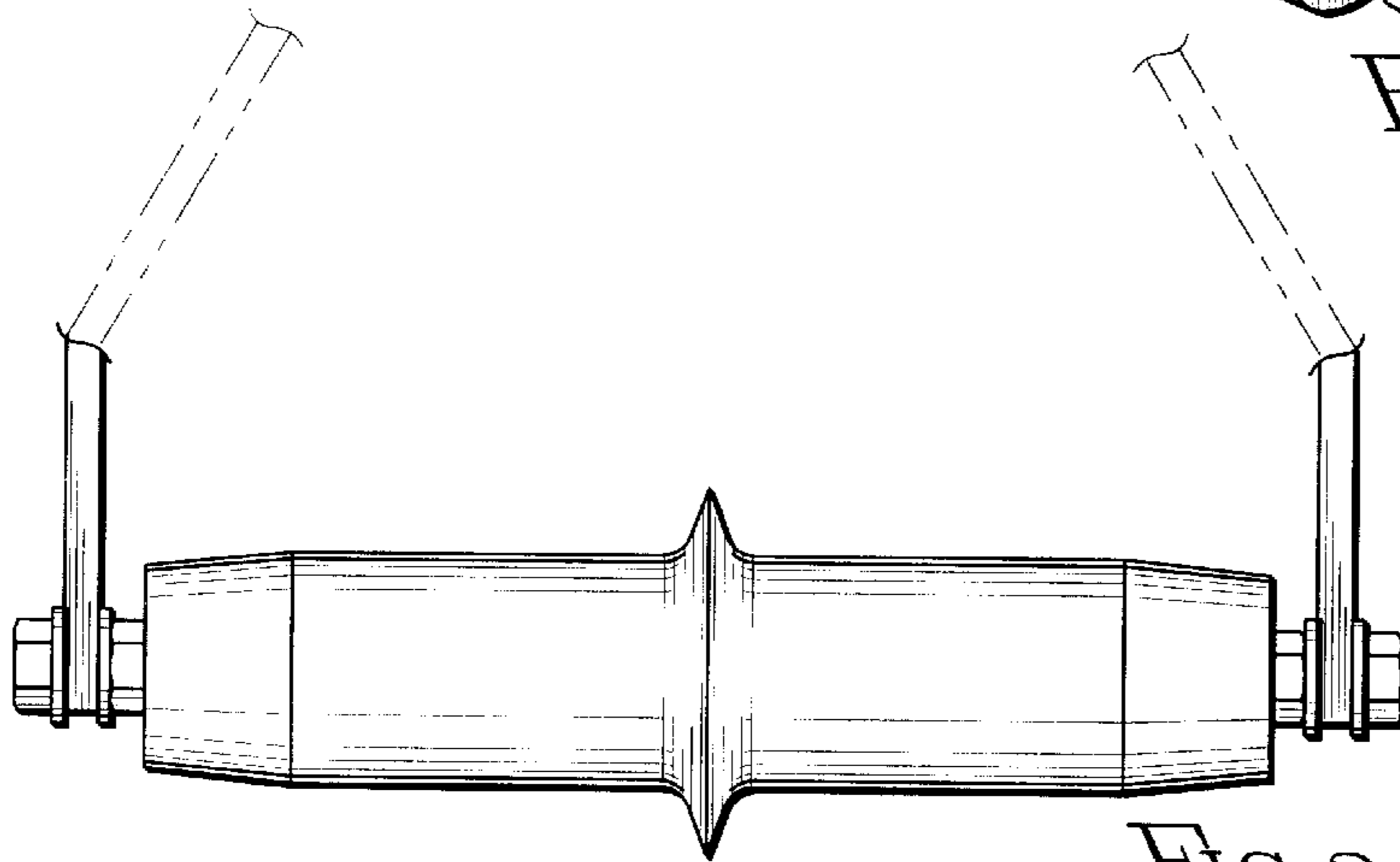


FIG. 2

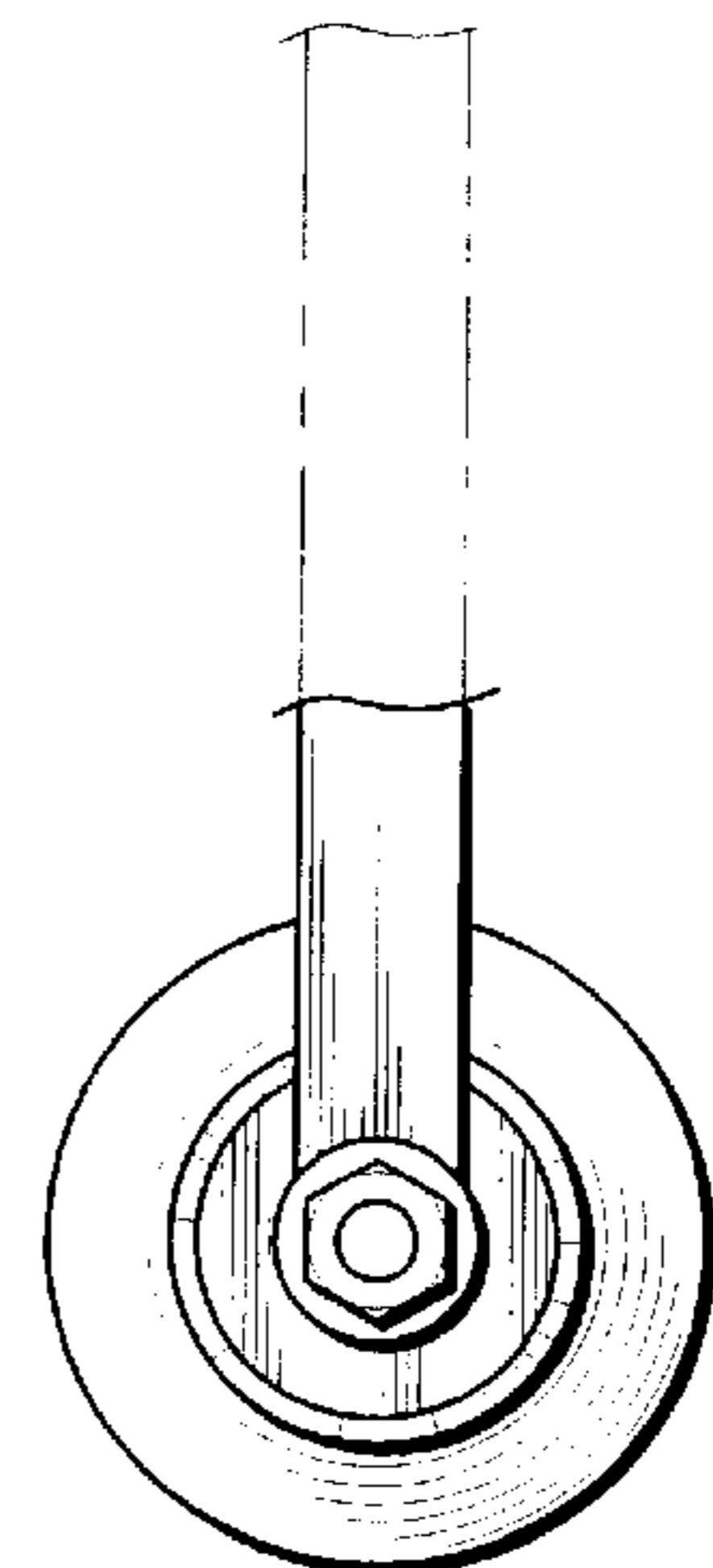


FIG. 3

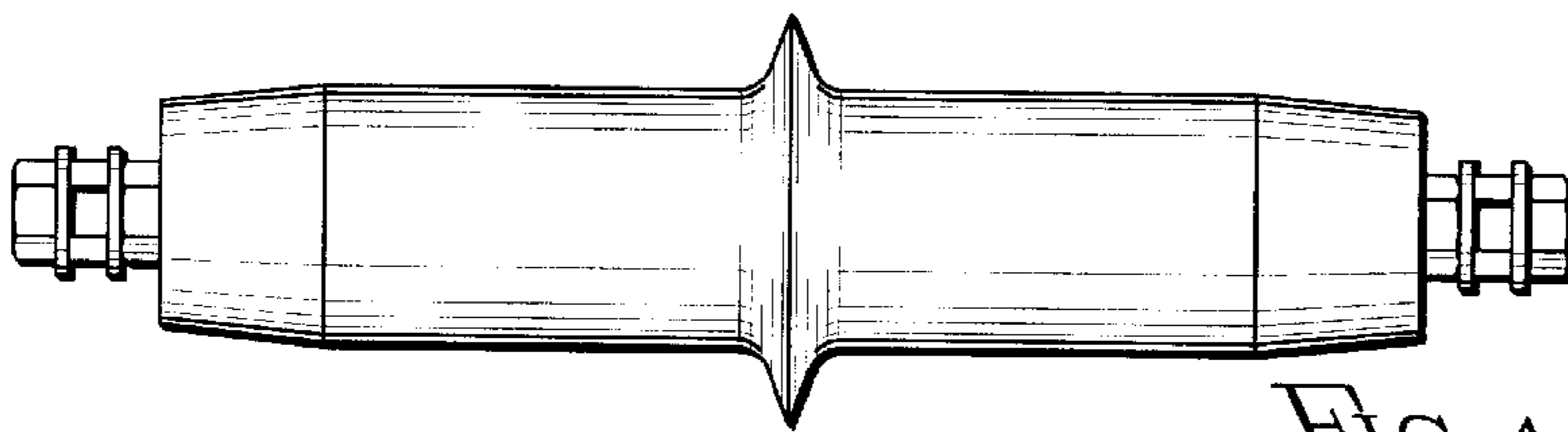


FIG. 4

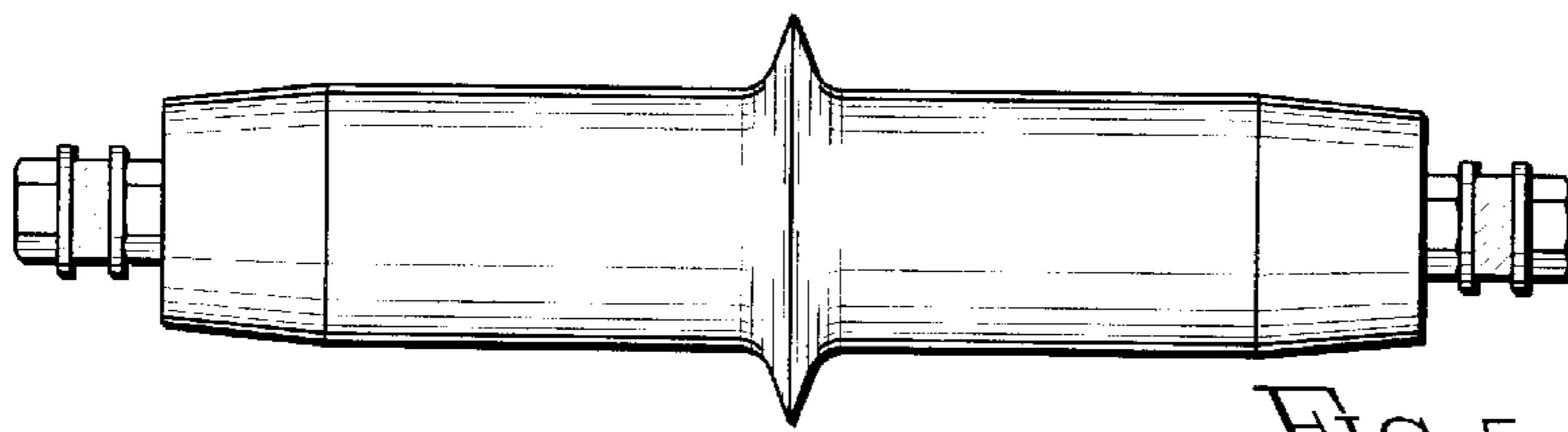


FIG. 5