



US00D459169S

(12) **United States Design Patent**
Clivio

(10) **Patent No.:** **US D459,169 S**

(45) **Date of Patent:** **** Jun. 25, 2002**

(54) **SPADE**

(75) Inventor: **Franco Clivio**, Erlenbach (CH)

(73) Assignee: **Gardena Kress + Kastner GmbH**
(DE)

(**) Term: **14 Years**

(21) Appl. No.: **29/137,570**

(22) Filed: **Feb. 23, 2001**

(30) **Foreign Application Priority Data**

Aug. 26, 2000 (DE) 4 00 08 365

(51) **LOC (7) Cl.** **08-01**

(52) **U.S. Cl.** **D8/10**

(58) **Field of Search** D8/1, 10; 294/49,
294/54.5, 57

(56) **References Cited**

U.S. PATENT DOCUMENTS

- 2,279,324 A * 4/1942 Pallen et al. 297/57
- 2,737,318 A * 3/1956 Molinare D8/10
- 2,956,831 A * 10/1960 Duppengiesser 294/57
- 3,848,915 A * 11/1974 Wherry 294/49
- D267,772 S * 2/1983 Heindal D8/1

OTHER PUBLICATIONS

Pp. 1, 8,9, 10, 14, 15, 17 and 19 of a catalog entitled "Garten Freizeit Landshaft" published by Ideal, made available to the public at GAFA (Garden Fair in Germany) in 1998.

A brochure entitled "Damit der Garten mehr Spaß als Arbeit macht!", published by Ideal, made available to the public at GAFA (Garden Fair in Germany) in 1998.

2 pages of a catalog entitled "Werga Fiskars 2000", made available to the public in 1999.

2 pages of a catalog entitled "Gardena 2000", published by Gardena Kress + Kastner GmbH, made available to the public in 1999.

* cited by examiner

Primary Examiner—Robin V. Taylor

(74) *Attorney, Agent, or Firm*—Akerman Senterfitt

(57) **CLAIM**

The ornamental design for a spade, as shown and described.

DESCRIPTION

FIG. 1 is a side perspective view of a spade showing my new design;

FIG. 2 is a front elevation view thereof;

FIG. 3 is a side elevation view thereof (the opposite side being a mirror image);

FIG. 4 is a bottom plan view thereof;

FIG. 5 is a top plan view thereof; and,

FIG. 6 is a rear elevation view thereof.

1 Claim, 3 Drawing Sheets

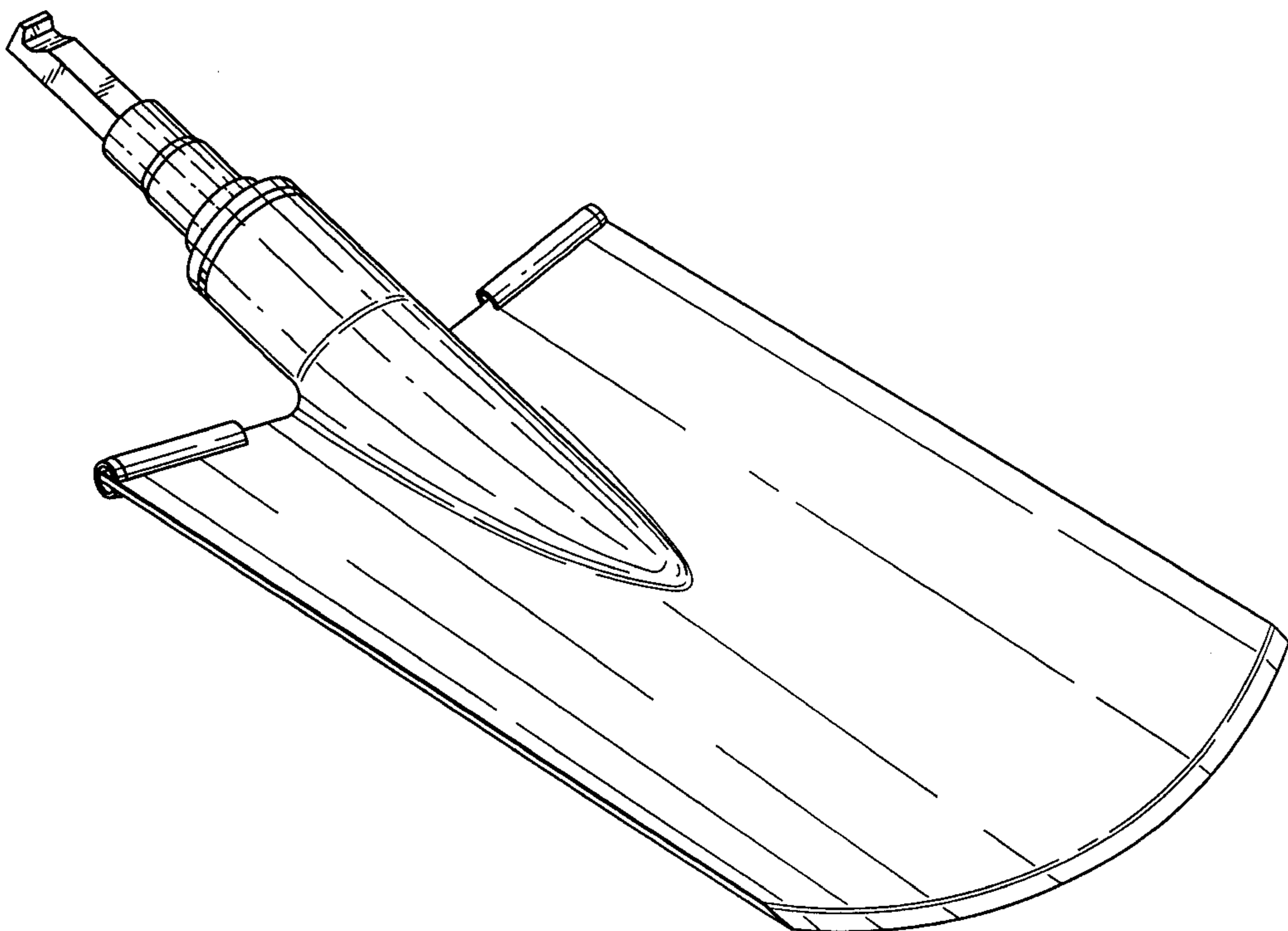


FIG. 1

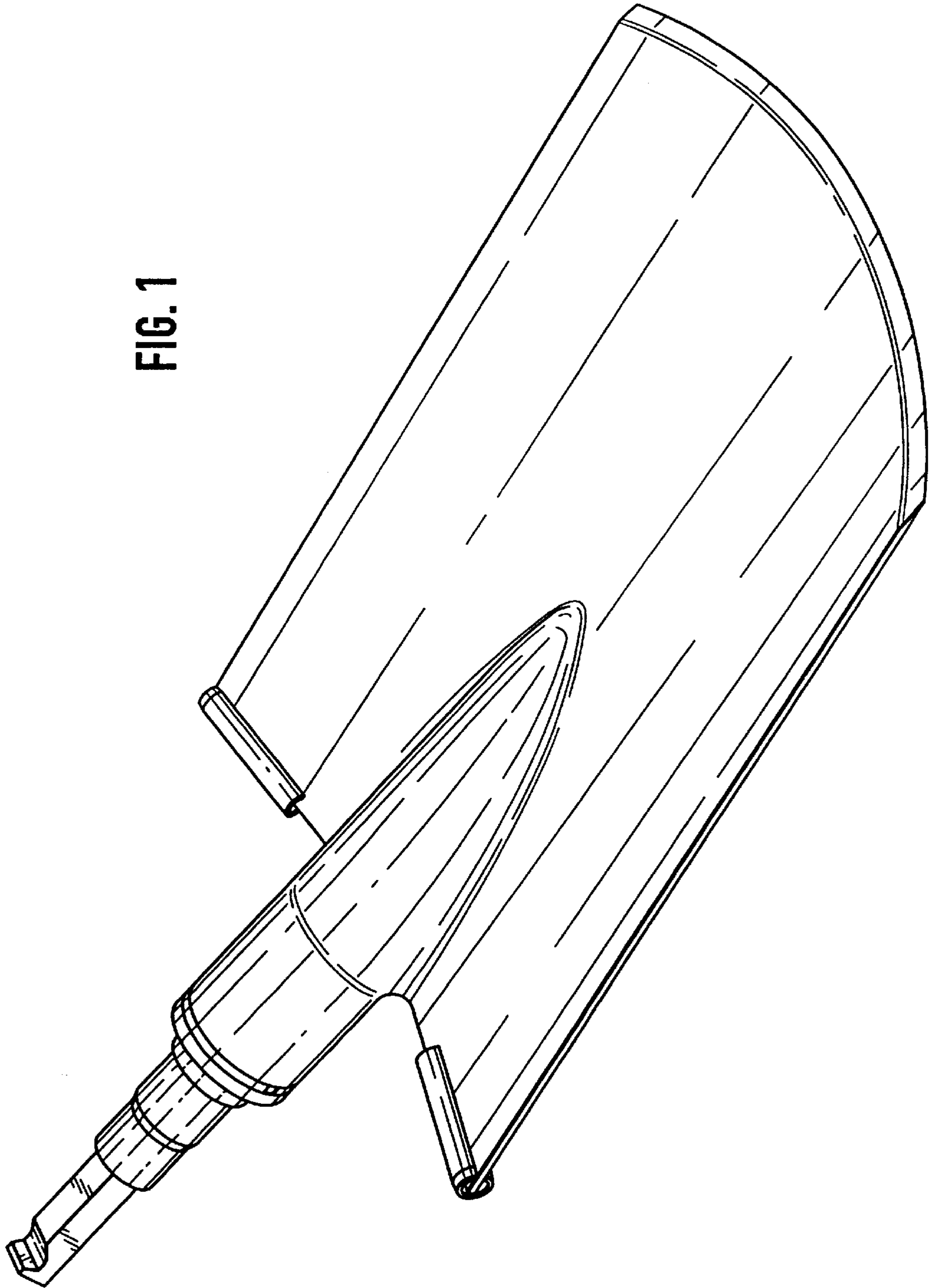


FIG. 2

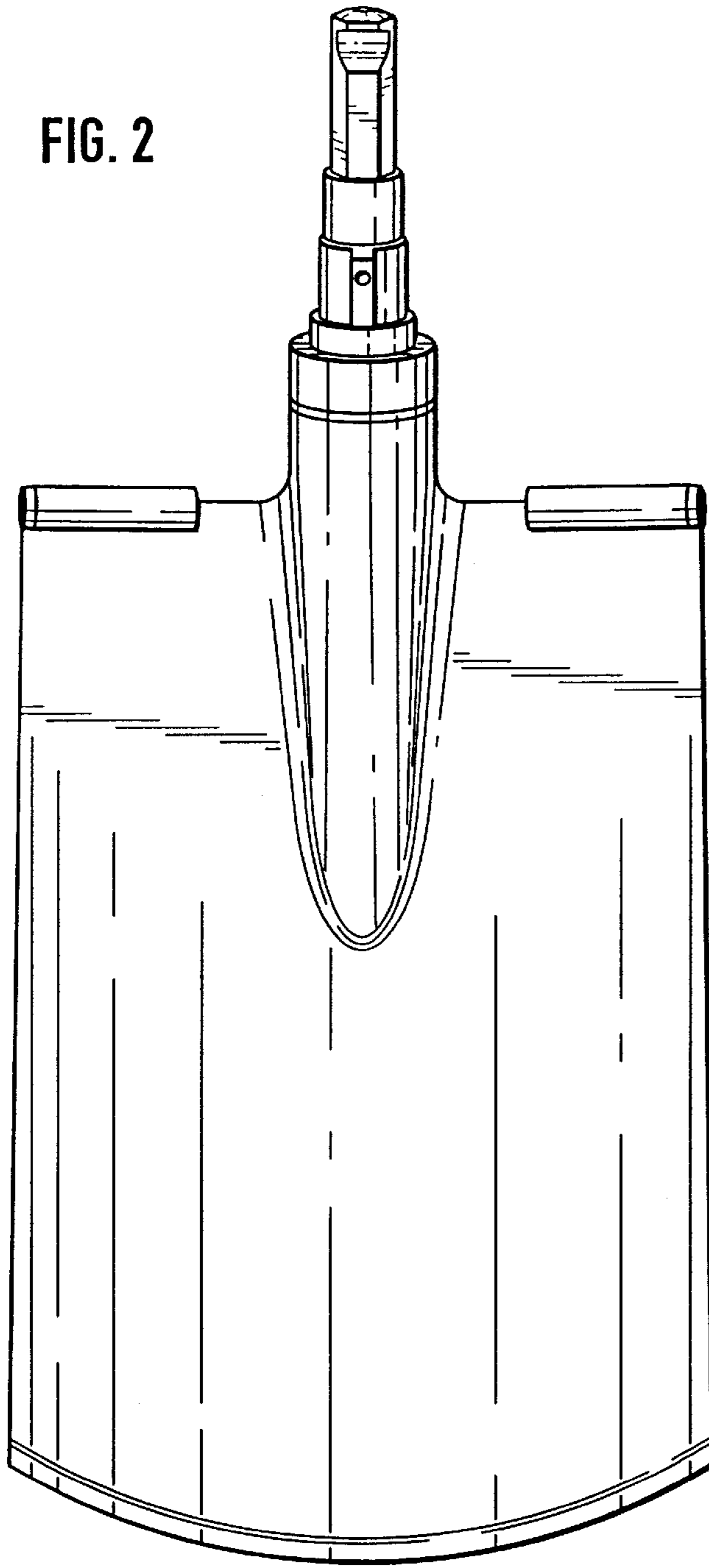


FIG. 3

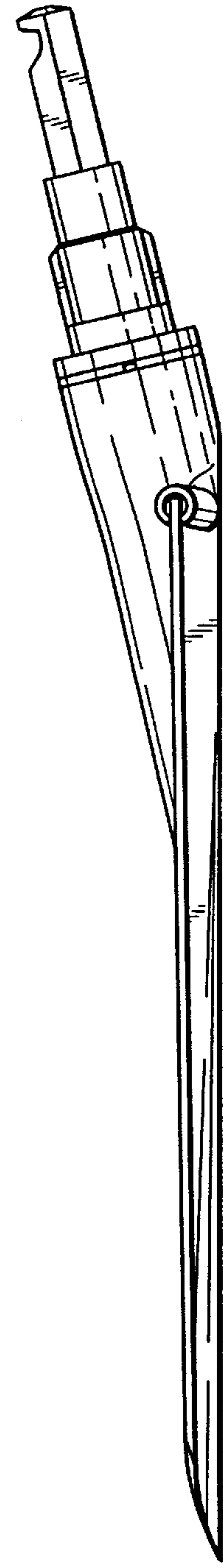


FIG. 4

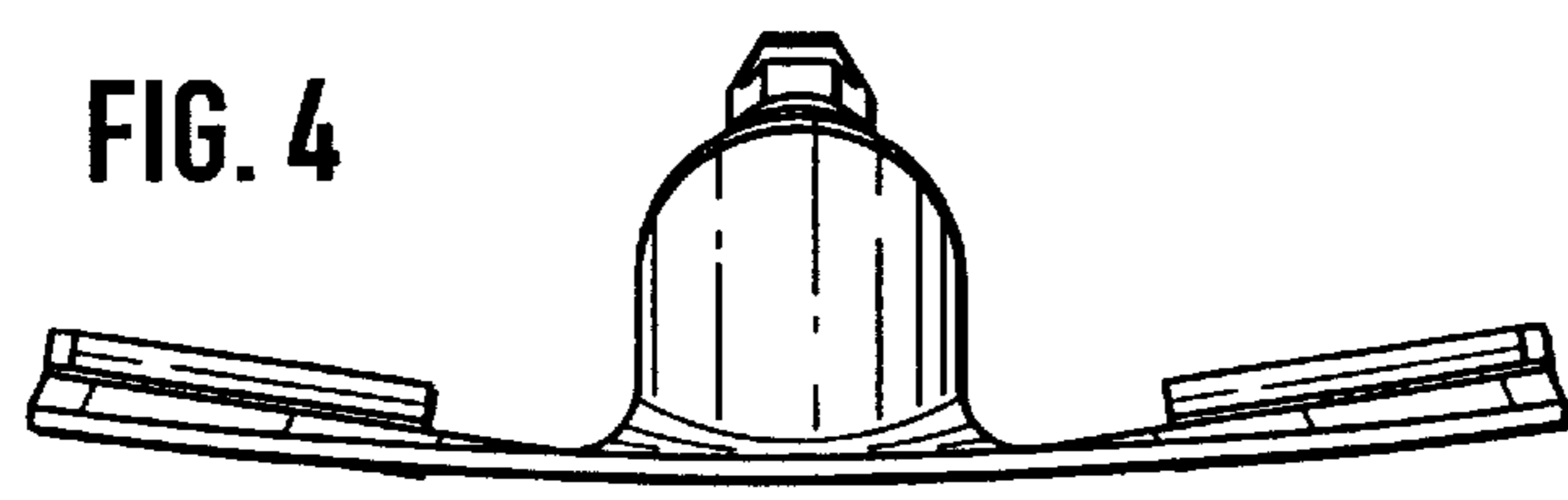


FIG. 5

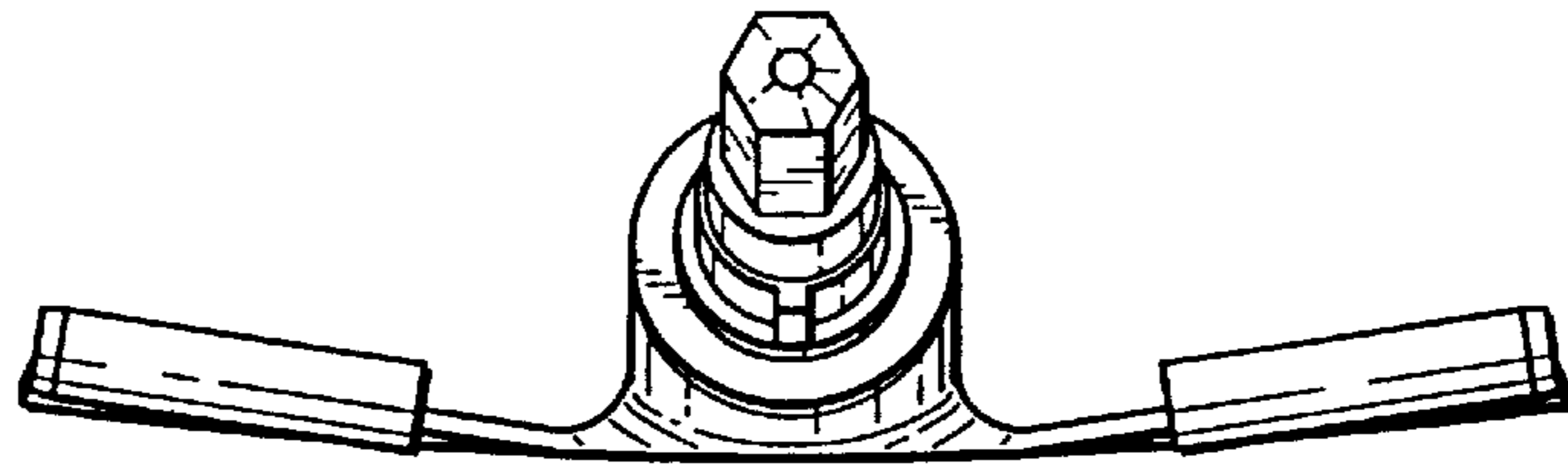


FIG. 6

