



US00D459167S

(12) **United States Design Patent**  
**Meyer, II et al.**

(10) **Patent No.:** **US D459,167 S**  
(45) **Date of Patent:** **\*\* Jun. 25, 2002**

(54) **TREE WATERING DEVICE**

*Primary Examiner*—Robin V. Taylor

(76) Inventors: **Floyd A Meyer, II; Bridget M Meyer,**  
both of 2544 Wheeler Rd., Bay City,  
MI (US) 48706

(57) **CLAIM**

The ornamental design for a tree watering device, as shown and described.

(\*\*) Term: **14 Years**

**DESCRIPTION**

(21) Appl. No.: **29/140,967**

FIG. 1 is a front elevational view of the tree watering device of the present invention;

(22) Filed: **Apr. 27, 2001**

FIG. 2 is a rear elevational view of the tree watering device of FIG. 1;

(51) **LOC (7) Cl.** ..... **08-01**

(52) **U.S. Cl.** ..... **D8/1**

(58) **Field of Search** ..... D8/1, 2; 47/48.5,  
47/40.5; D23/200; D11/125; D7/700

FIG. 3 is a left side elevational view of the tree watering device of FIG. 1;

(56) **References Cited**

**U.S. PATENT DOCUMENTS**

5,349,997 A	9/1994	Rial	
5,410,839 A	5/1995	Granger	
5,473,838 A	* 12/1995	Denbigh	47/40.5
D373,939 S	9/1996	Swerdlick et al.	
5,809,691 A	9/1998	Frantz	
D417,596 S	* 12/1999	Crowder	D8/1
D426,432 S	* 6/2000	Saddler	D8/1
D427,028 S	* 6/2000	Zinger et al.	D8/1
6,073,390 A	6/2000	Baudier	
6,082,043 A	7/2000	Andrews	

FIG. 4 is a right side elevational view of the tree watering device of FIG. 1;

FIG. 5 is a top plan view of the tree watering device of FIG. 1; and,

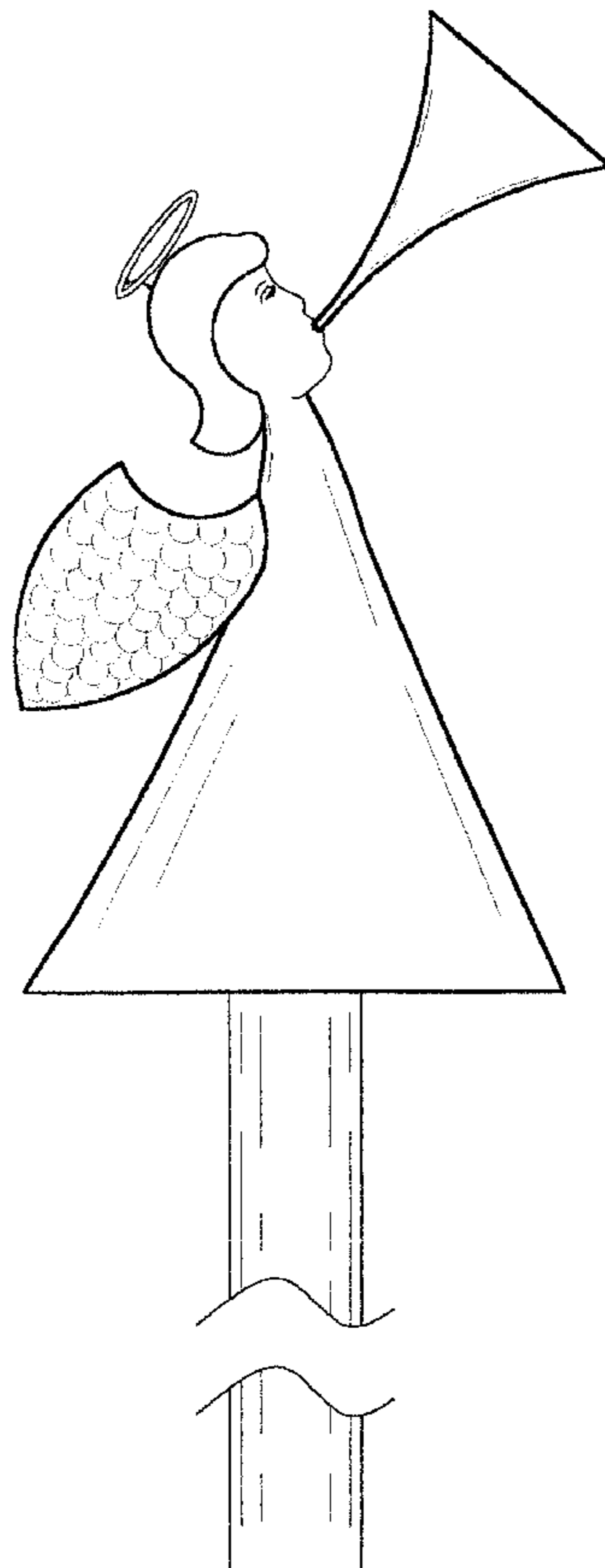
FIG. 6 is a bottom plan view of the tree watering device of FIG. 1.

The hollow interior of the angel and tube as shown in FIG. 6 is plain and unornamental and forms no part of the claimed design.

The claimed design is shown fragmented in FIGS. 1-4 to indicate indeterminate length.

\* cited by examiner

**1 Claim, 3 Drawing Sheets**



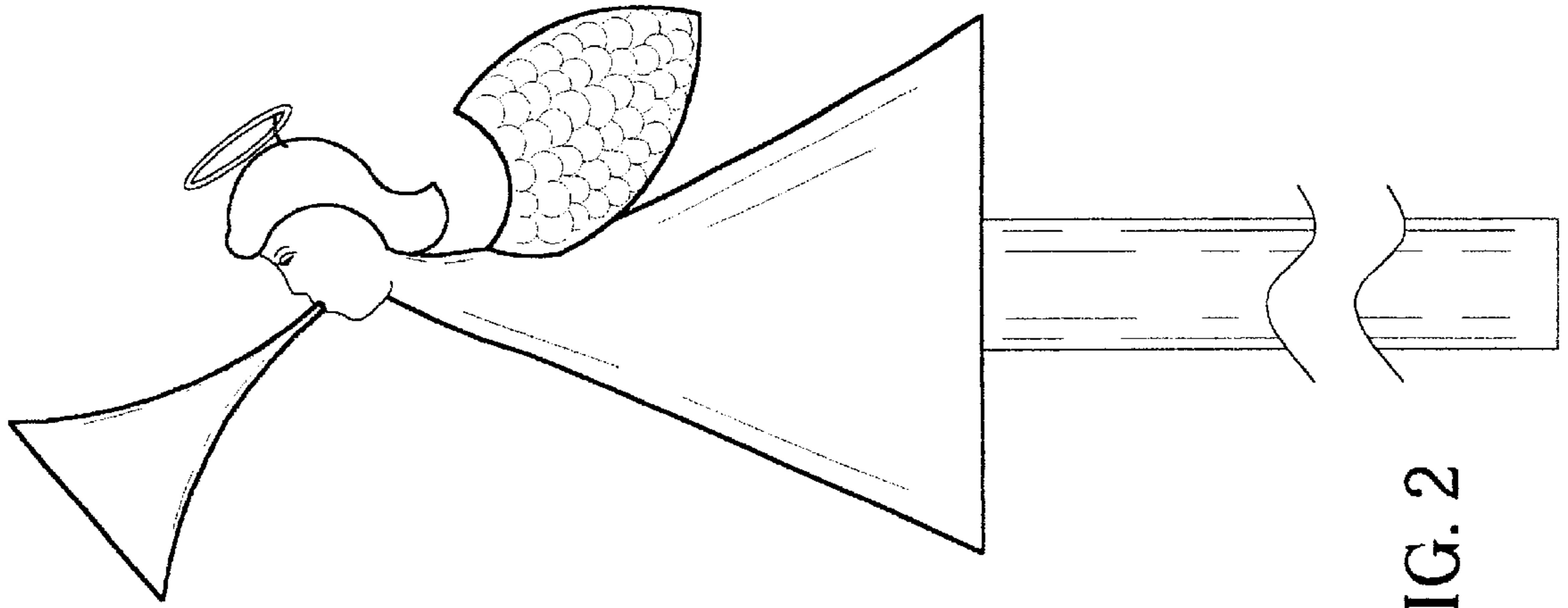


FIG. 1

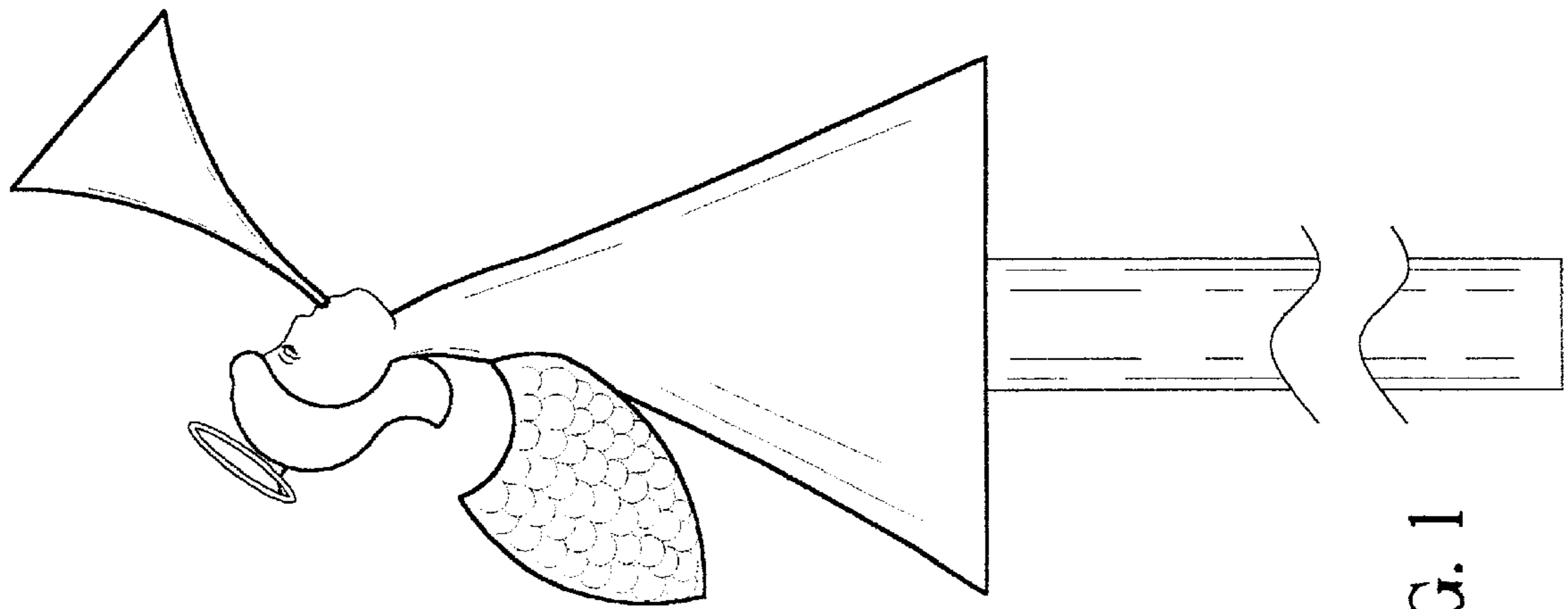


FIG. 2

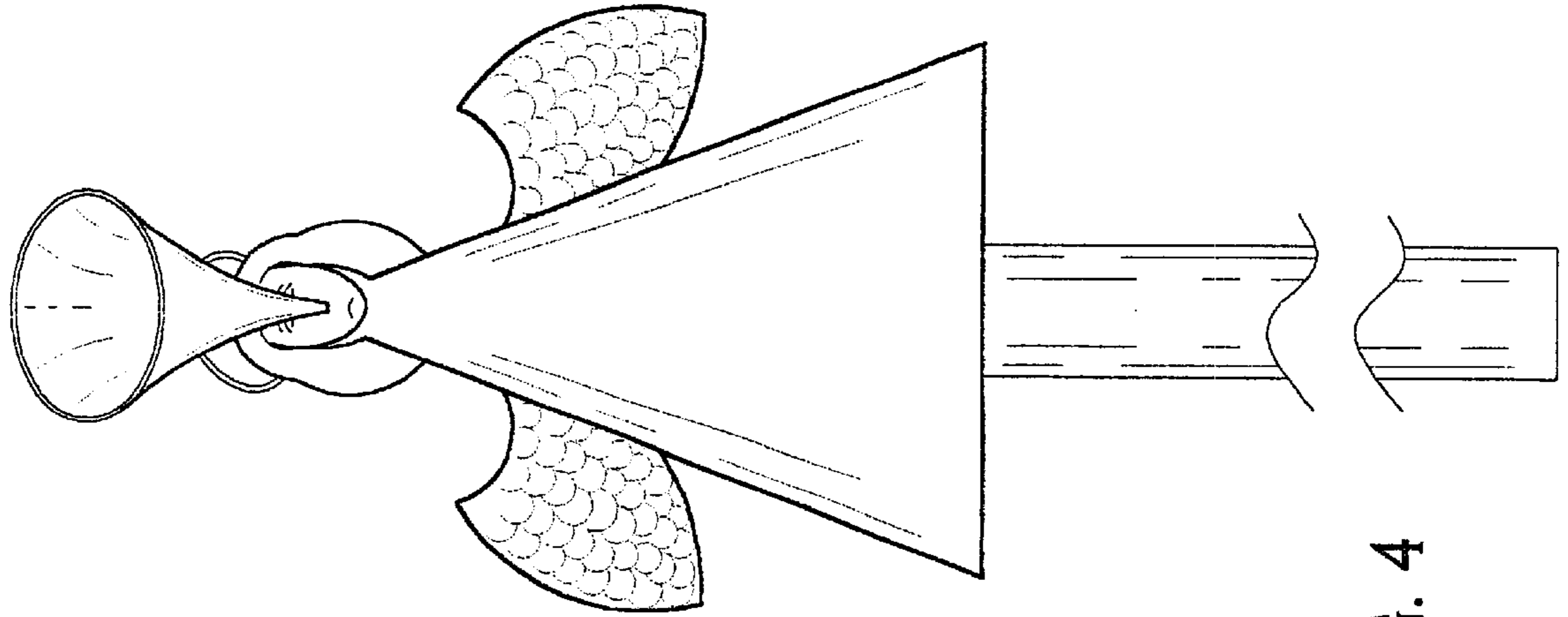


FIG. 4

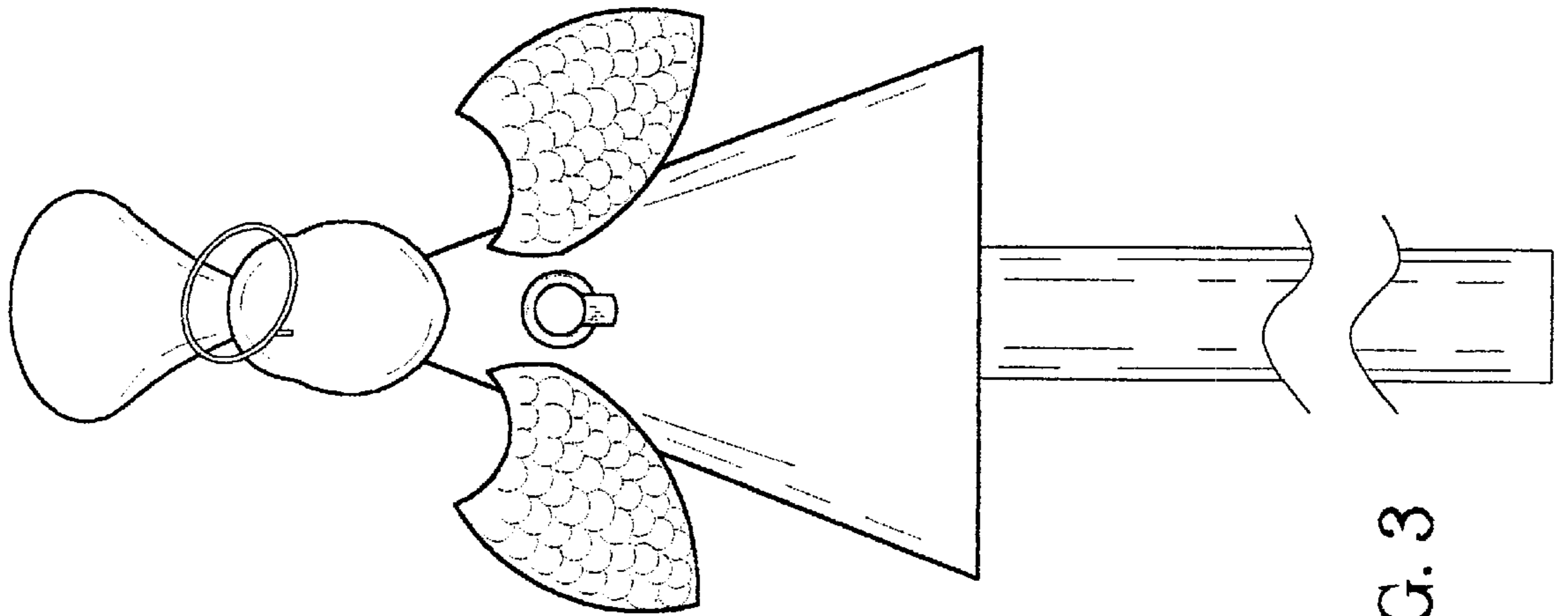


FIG. 3

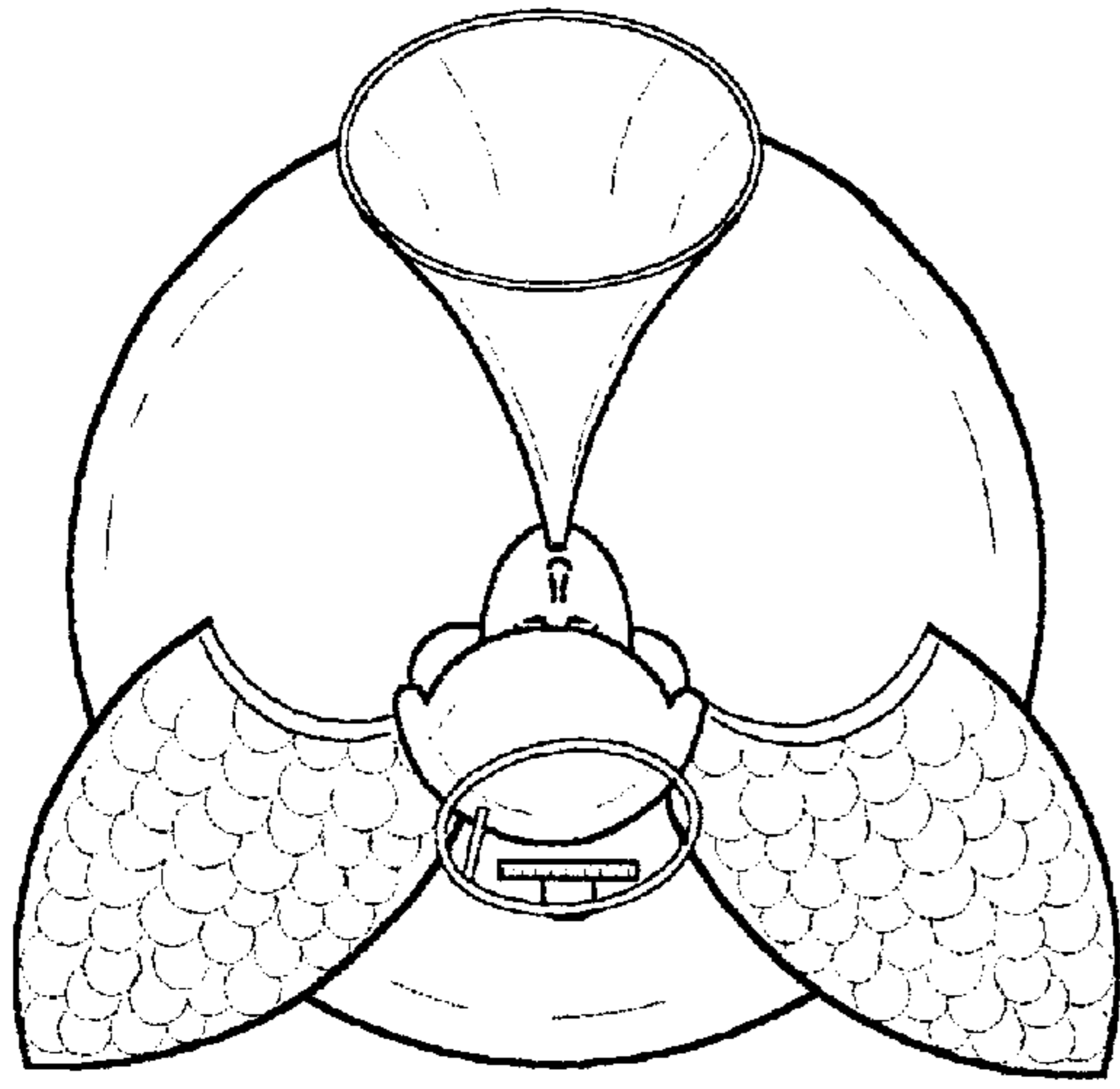


FIG. 5

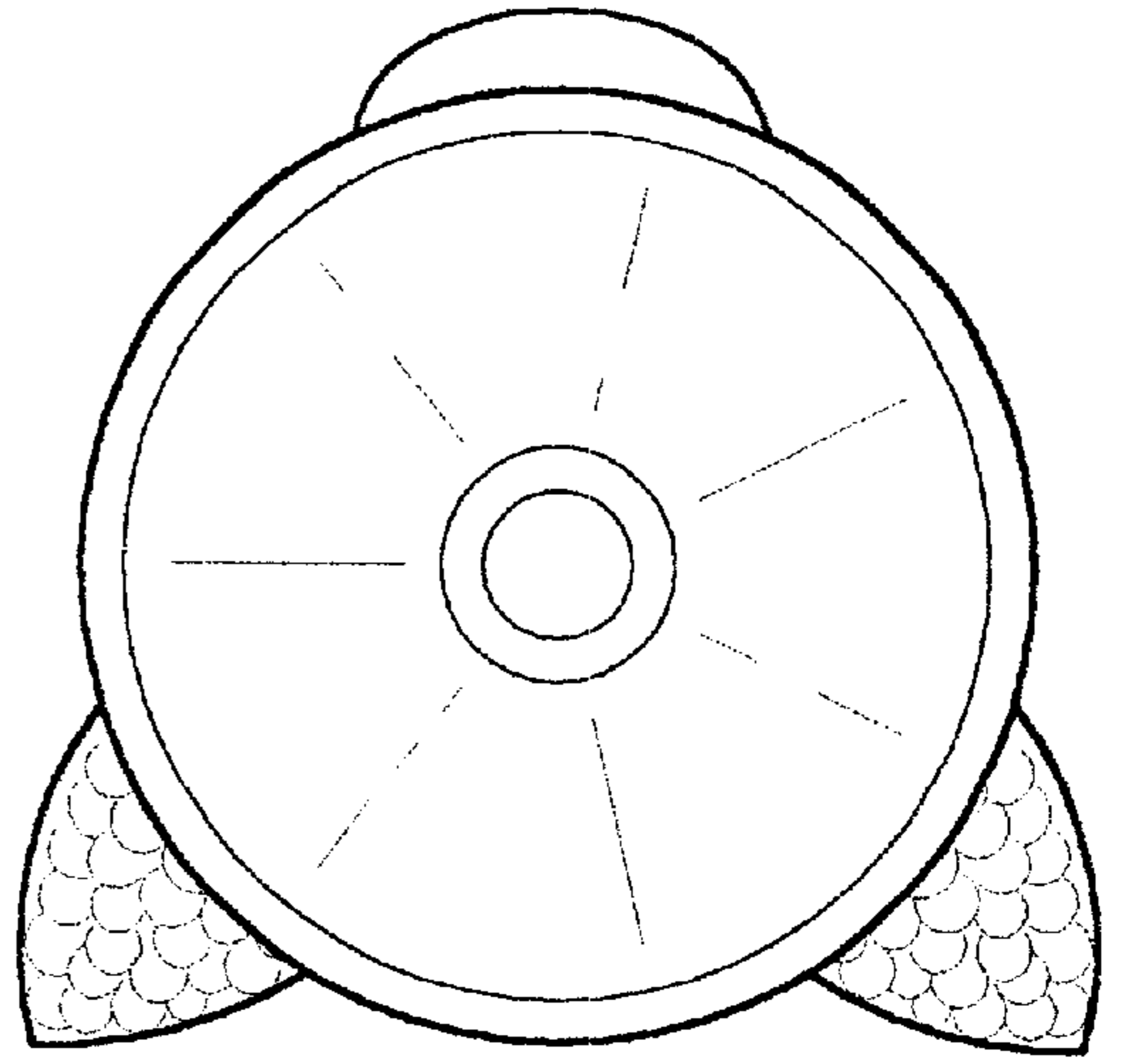


FIG. 6