



US00D459165S

(12) **United States Design Patent**
Henderson et al.

(10) **Patent No.:** **US D459,165 S**

(45) **Date of Patent:** **** Jun. 25, 2002**

(54) **SHELF ORGANIZER FOR BOTTLES**

(75) Inventors: **William Henderson**, New Rochelle;
Peter J. Tenuch, Tarrytown, both of
NY (US)

(73) Assignee: **Sidney Frank Importing Co., Inc.**,
New Rochelle, NY (US)

(**) Term: **14 Years**

(21) Appl. No.: **29/145,367**

(22) Filed: **Jul. 19, 2001**

(51) **LOC (7) Cl.** **07-06**

(52) **U.S. Cl.** **D7/704**

(58) **Field of Search** D7/701, 704, 707,
D7/708, 619; D6/458, 462, 487, 512; 211/13.1,
71.01, 74, 181.1; 248/309.1, 311.2, 146,
153

(56) **References Cited**

U.S. PATENT DOCUMENTS

1,544,291 A * 6/1925 Wright 211/181.1 X

2,259,667 A * 10/1941 Smith 211/74
2,262,597 A * 11/1941 Watral 211/74 X
3,104,040 A * 9/1963 Stevens 211/74 X
D386,363 S * 11/1997 Dardashti D7/704

* cited by examiner

Primary Examiner—Terry A. Wallace

(74) *Attorney, Agent, or Firm*—Schweitzer Cornman Gross
& Bondell LLP

(57) **CLAIM**

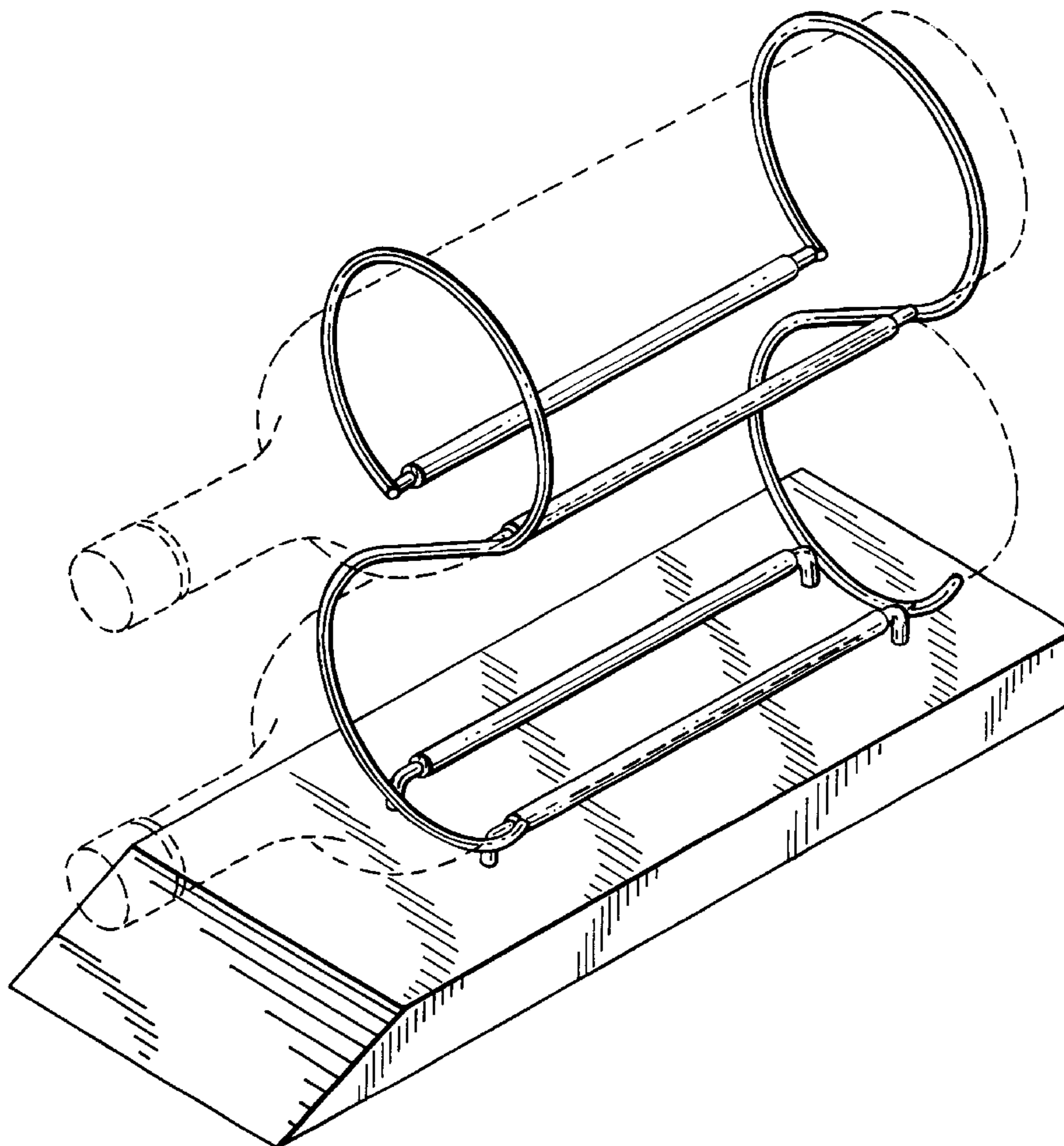
The ornamental design for a shelf organizer for bottles, as
shown and described.

DESCRIPTION

FIG. 1 is a perspective view;
FIG. 2 is a top plan view;
FIG. 3 is a side elevational view; and,
FIG. 4 is an end elevational view.

The broken lines are for illustrative purposes only and form
no part of the claimed design.

1 Claim, 4 Drawing Sheets



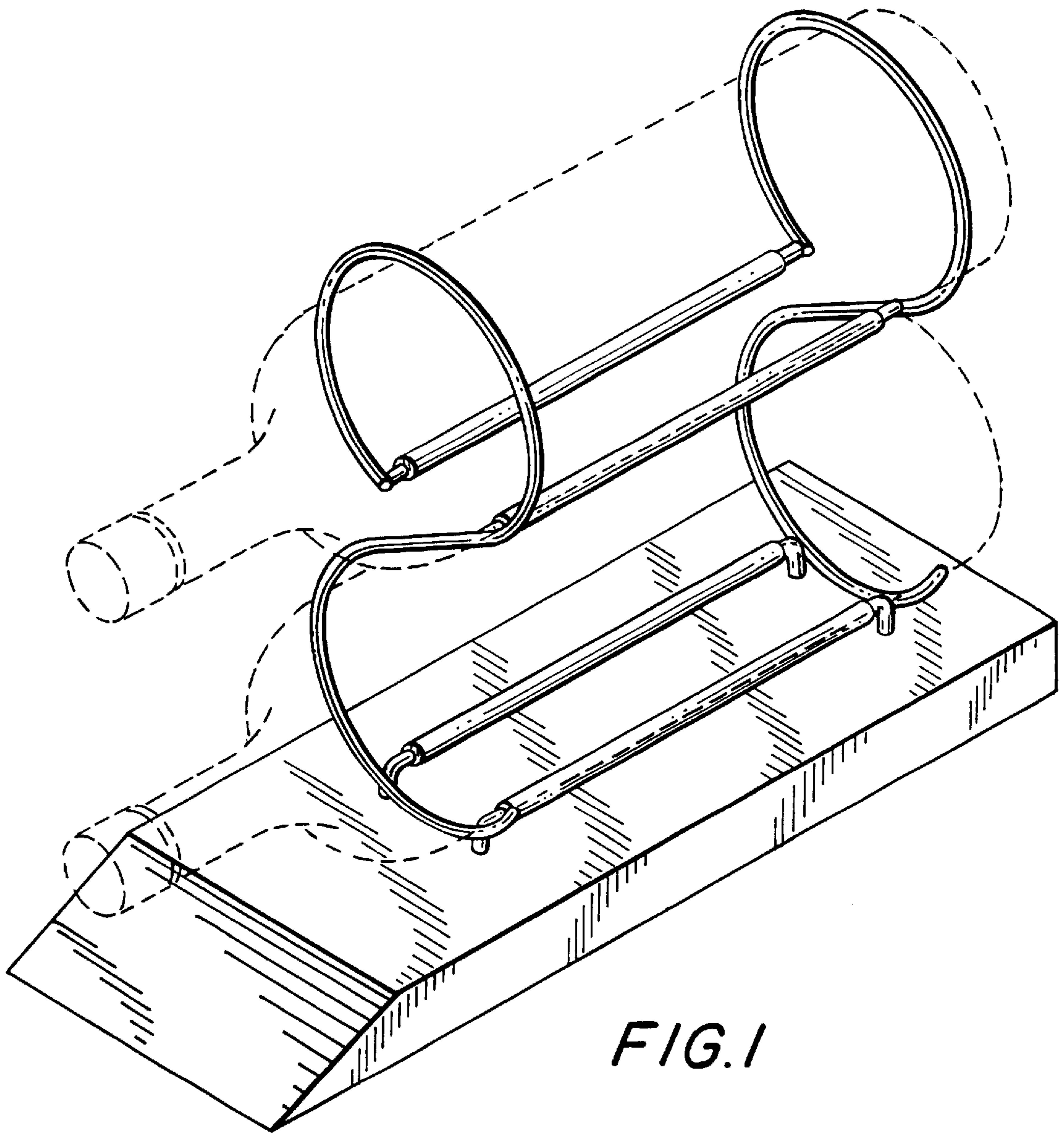


FIG. 1

FIG. 2

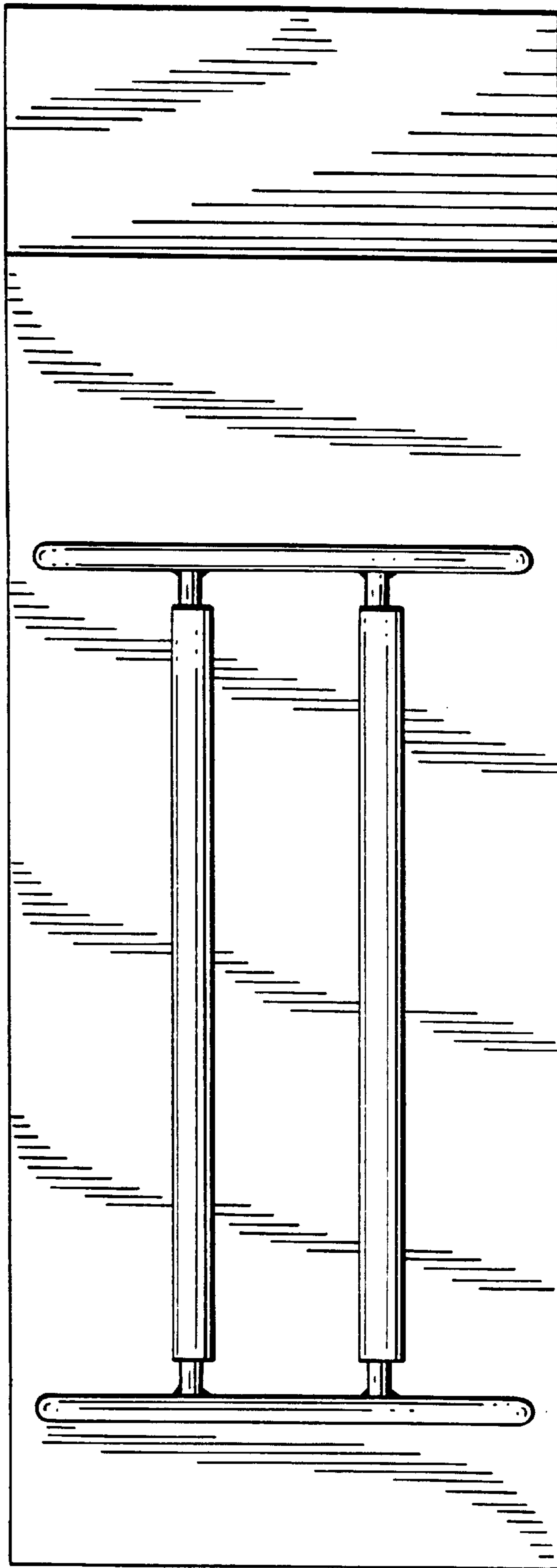


FIG. 3

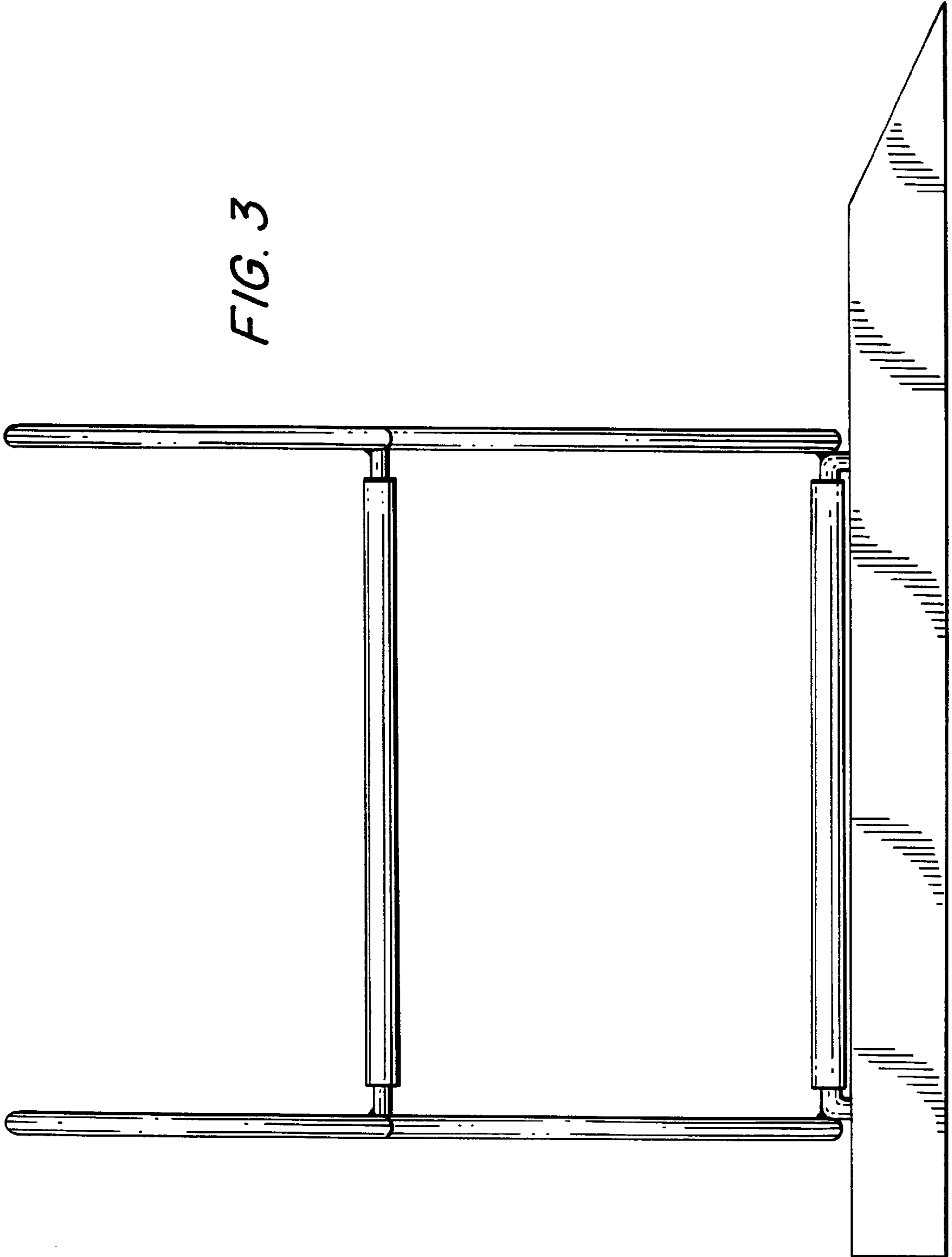


FIG. 4

