



US00D459163S

(12) **United States Design Patent**
Rowe et al.

(10) **Patent No.:** **US D459,163 S**

(45) **Date of Patent:** **** Jun. 25, 2002**

(54) **SPATULA WITH JOINED SHANK**

4,711,029 A * 12/1987 Somerset 294/7 X

(75) Inventors: **Mike Rowe**, Dayton, OH (US);
Andrew Kahler, Fortson, GA (US);
Alan Cummings, Opelika, AL (US)

* cited by examiner

Primary Examiner—Terry A. Wallace

(73) Assignee: **W. C. Bradley Company**, Columbus,
GA (US)

(74) *Attorney, Agent, or Firm*—James W. Kayden; Thomas,
Kayden, Horstemeyer & Risley

(**) Term: **14 Years**

(57) **CLAIM**

The ornamental design of spatula with joined shank, as shown and described.

(21) Appl. No.: **29/142,705**

DESCRIPTION

(22) Filed: **May 31, 2001**

(51) **LOC (7) Cl.** **07-02**

FIG. 1 is a perspective view showing our new spatula with joined shank;

(52) **U.S. Cl.** **D7/692**

FIG. 2 is a front elevational view thereof;

(58) **Field of Search** D7/688, 691, 692;
294/7, 8; 16/110.1, 430; 15/236.01, 236.08;
30/148, 169

FIG. 3 is a rear elevational view thereof;

FIG. 4 is a top plan view thereof;

FIG. 5 is a right side elevational view thereof;

FIG. 6 is a bottom plan view thereof; and,

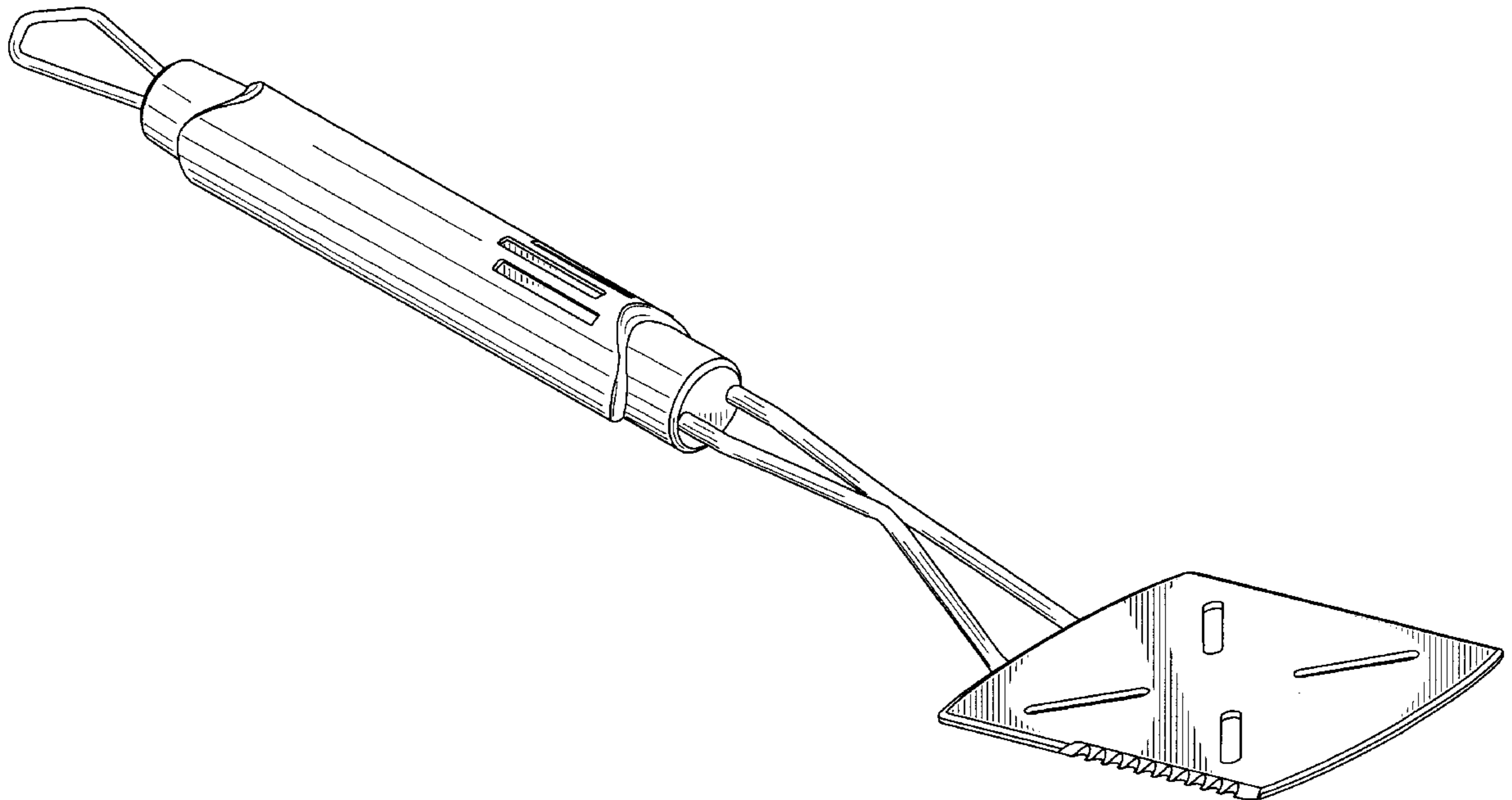
FIG. 7 is a left side elevational view thereof.

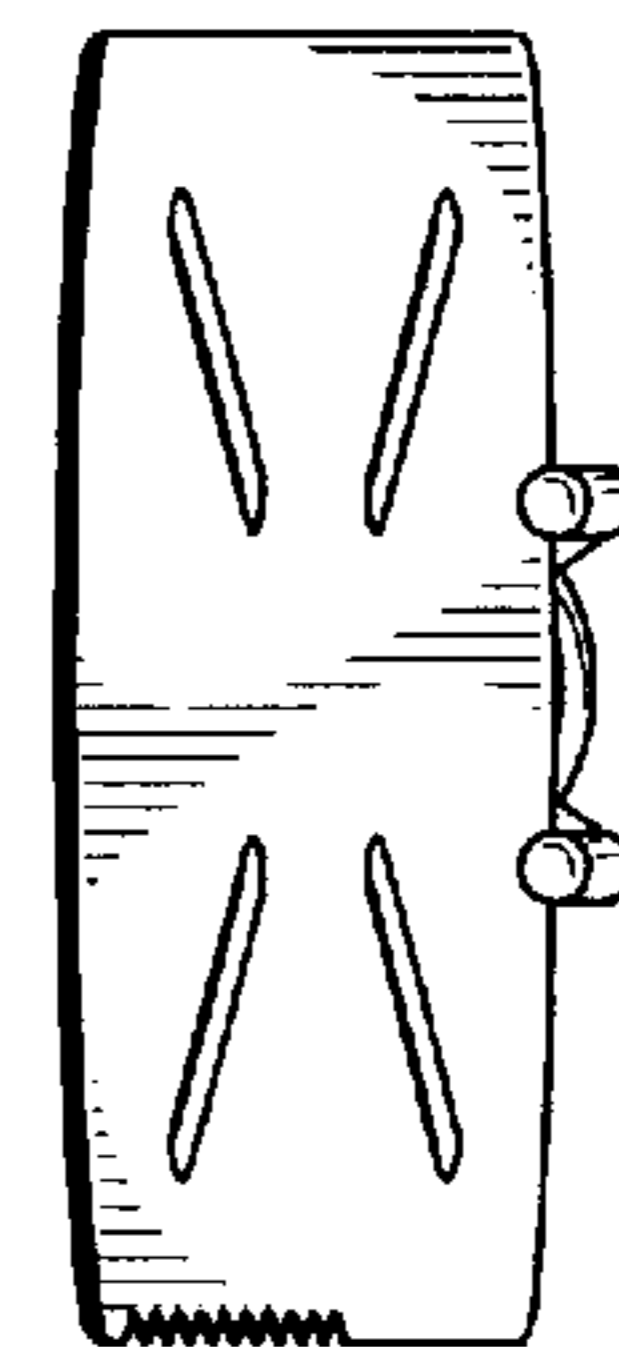
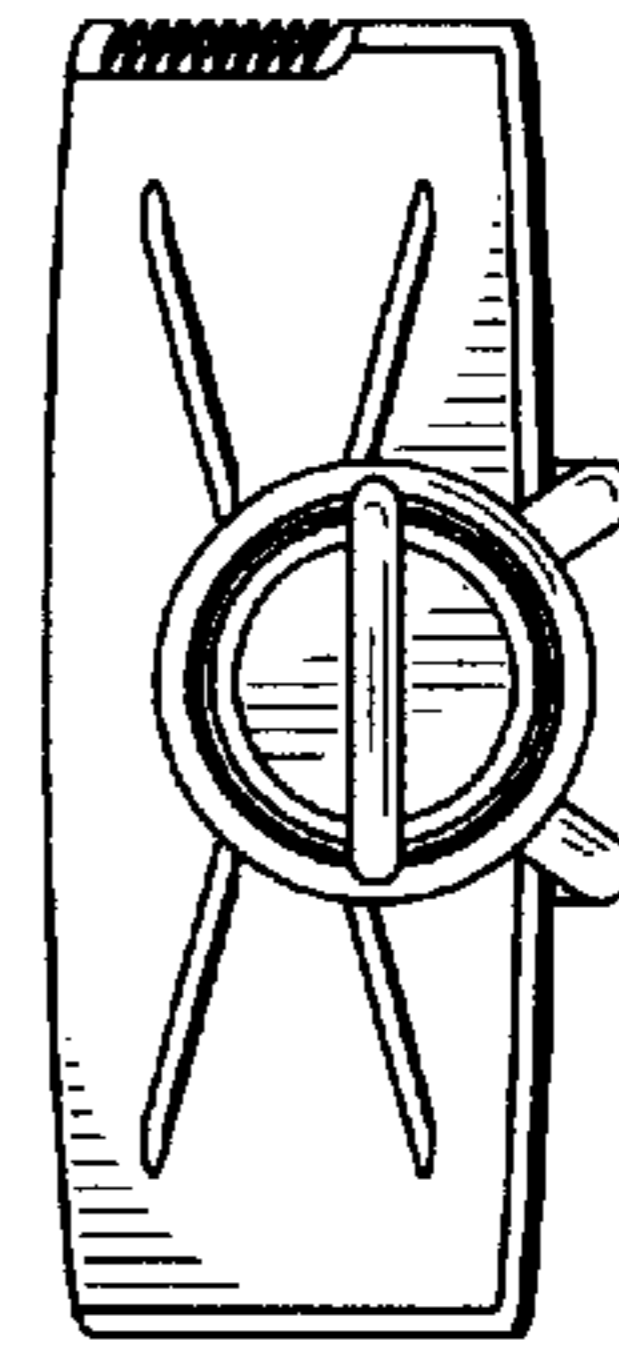
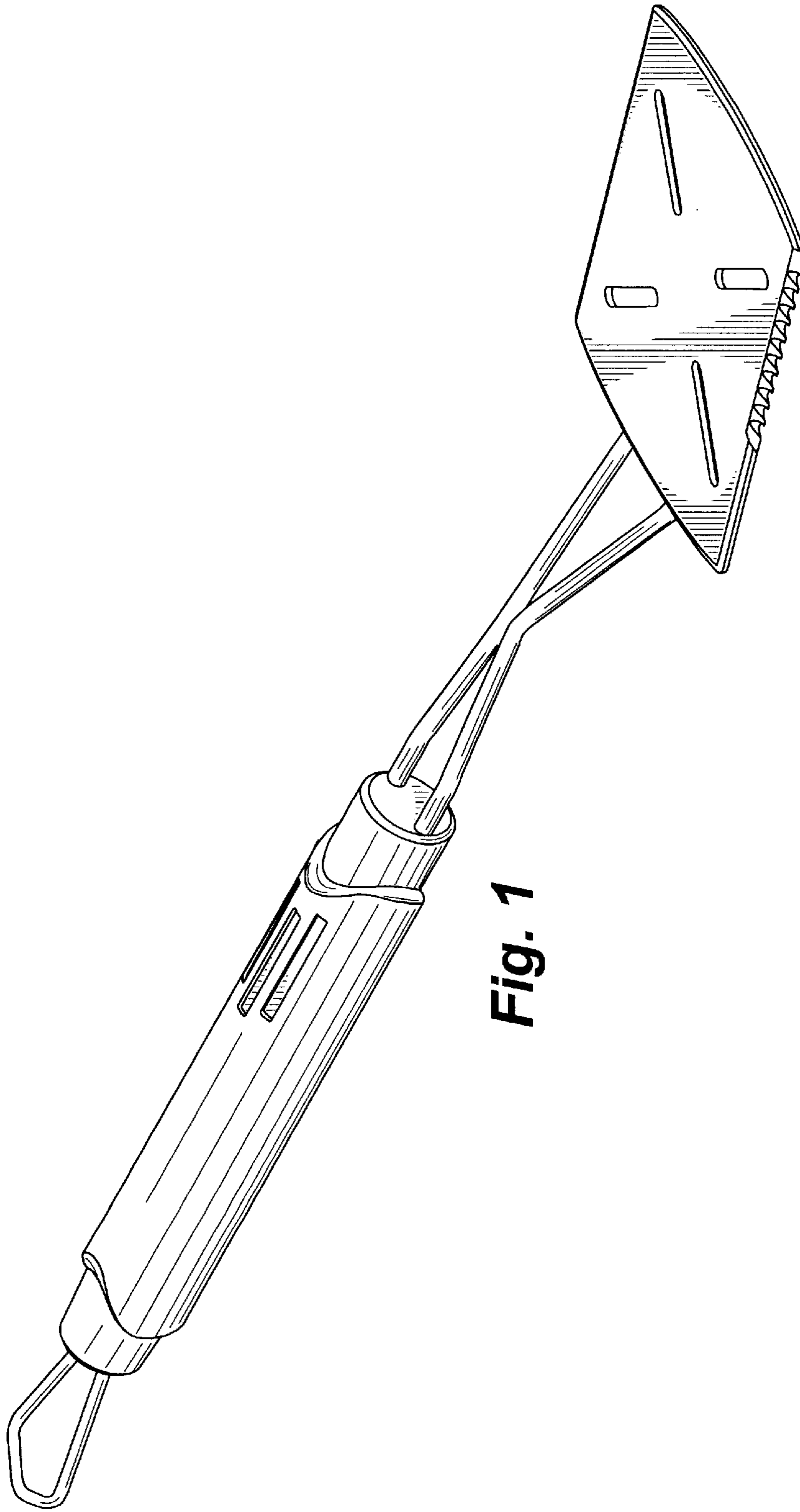
(56) **References Cited**

U.S. PATENT DOCUMENTS

1,219,818 A * 3/1917 Hanson 294/8

1 Claim, 3 Drawing Sheets





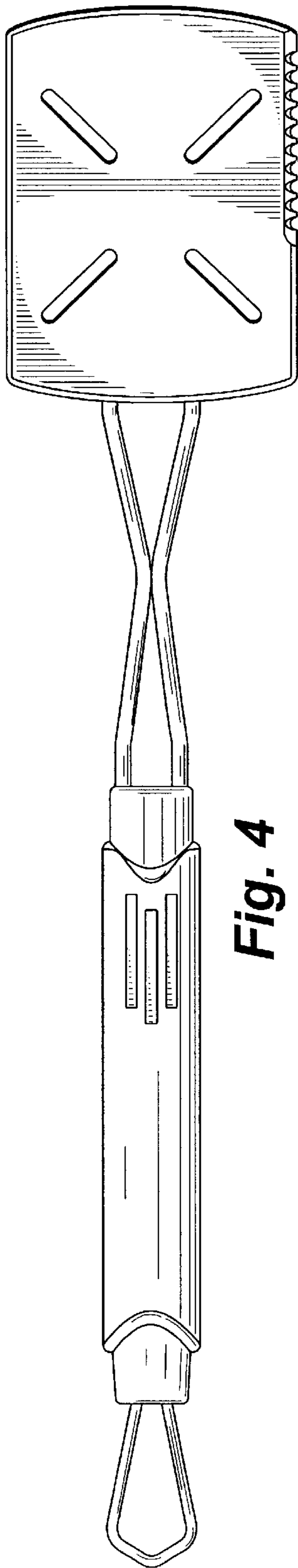


Fig. 4

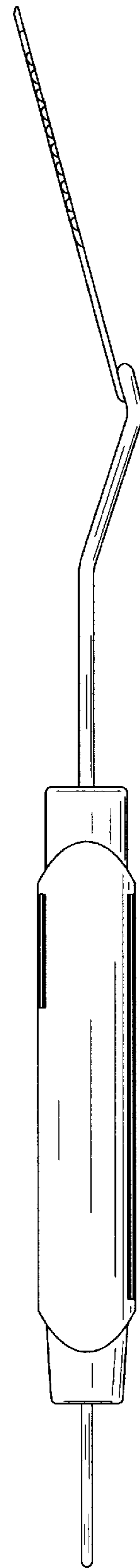


Fig. 5

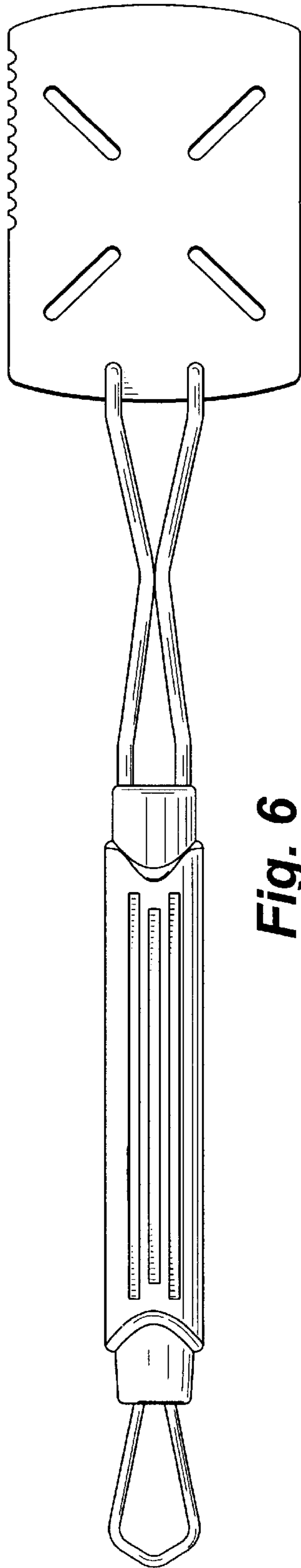


Fig. 6

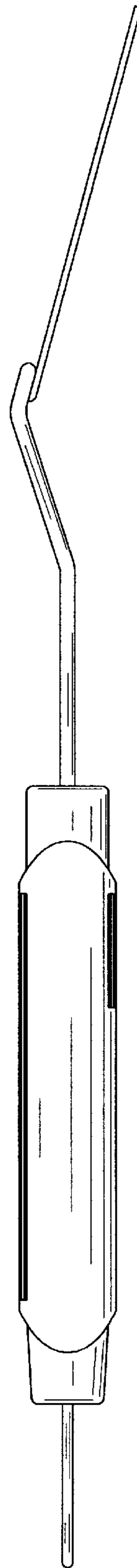


Fig. 7