



US00D459162S

(12) **United States Design Patent**
Pocorus

(10) **Patent No.:** **US D459,162 S**

(45) **Date of Patent:** **** Jun. 25, 2002**

(54) **FOOD SERVING DEVICE**

D423,304 S 4/2000 Kontou et al.

(76) Inventor: **Ronald Pocorus**, 1240 Mission Rd., #
25, Latrobe, PA (US) 15650

* cited by examiner

Primary Examiner—Terry A. Wallace

(**) Term: **14 Years**

(57) **CLAIM**

(21) Appl. No.: **29/145,738**

The ornamental design for a food serving device, as shown and described.

(22) Filed: **Jul. 27, 2001**

(51) **LOC (7) Cl.** **07-06**

(52) **U.S. Cl.** **D7/683; D7/686**

(58) **Field of Search** D7/683, 686, 687;
30/129, 322, 323; 294/50.5, 99.1, 99.2,
118, 119

DESCRIPTION

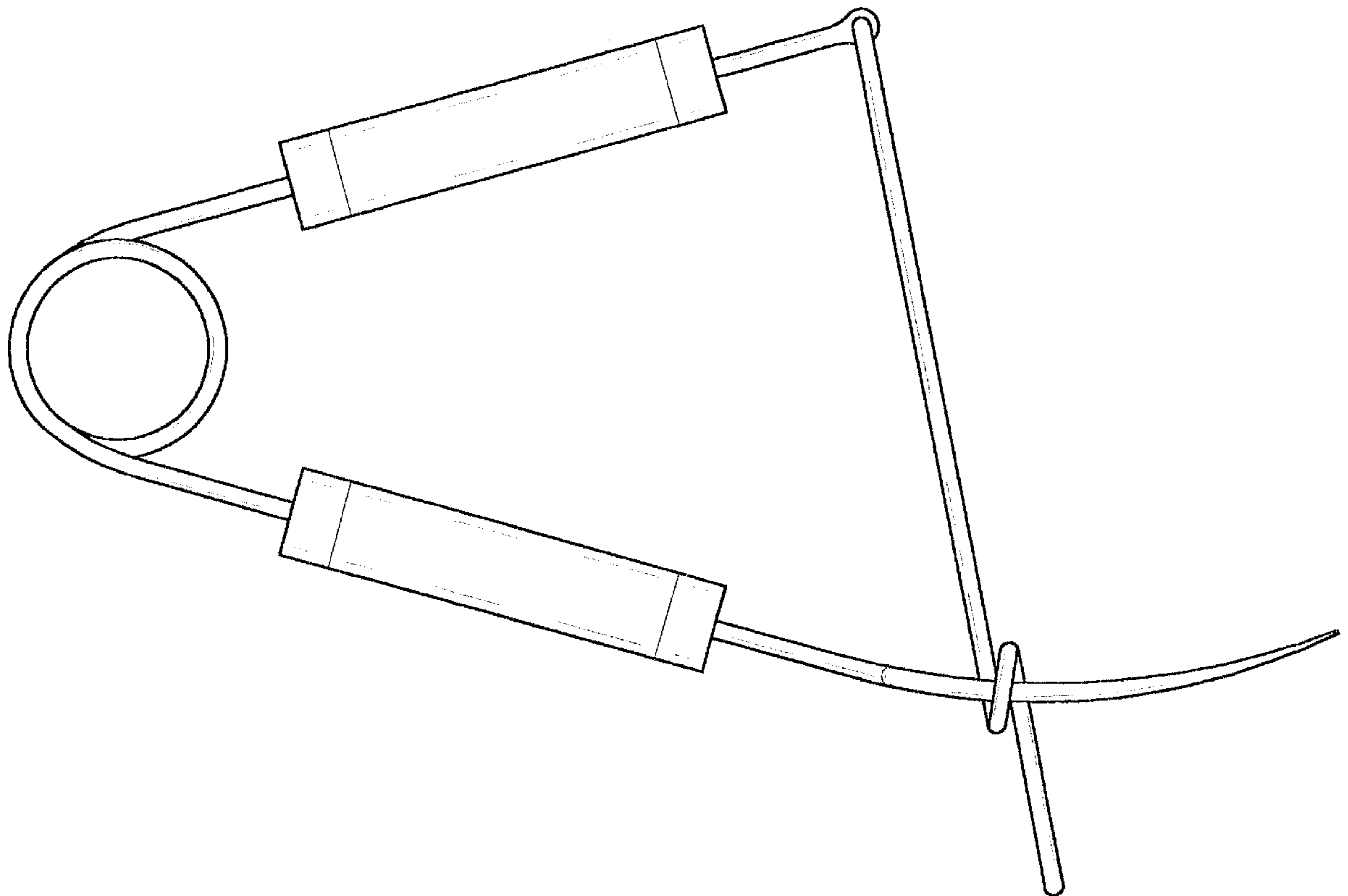
FIG. 1 is a front elevational view of the food serving device of the present invention;
FIG. 2 is a rear elevational view of the food serving device of FIG. 1;
FIG. 3 is a left side elevational view of the food serving device of FIG. 1;
FIG. 4 is a right side elevational view of the food serving device of FIG. 1;
FIG. 5 is a top plan view of the food serving device of FIG. 1; and,
FIG. 6 is a bottom plan view of the food serving device of FIG. 1.

(56) **References Cited**

U.S. PATENT DOCUMENTS

540,958 A	6/1895	Dow	
1,065,433 A	6/1913	Dow et al.	
1,321,594 A	* 11/1919	Burlingame 294/99.2
1,432,108 A	10/1922	Johnson	
2,783,535 A	3/1957	Cesare	
5,447,351 A	* 9/1995	Klunder 294/99.2
D402,860 S	12/1998	Stills	

1 Claim, 4 Drawing Sheets



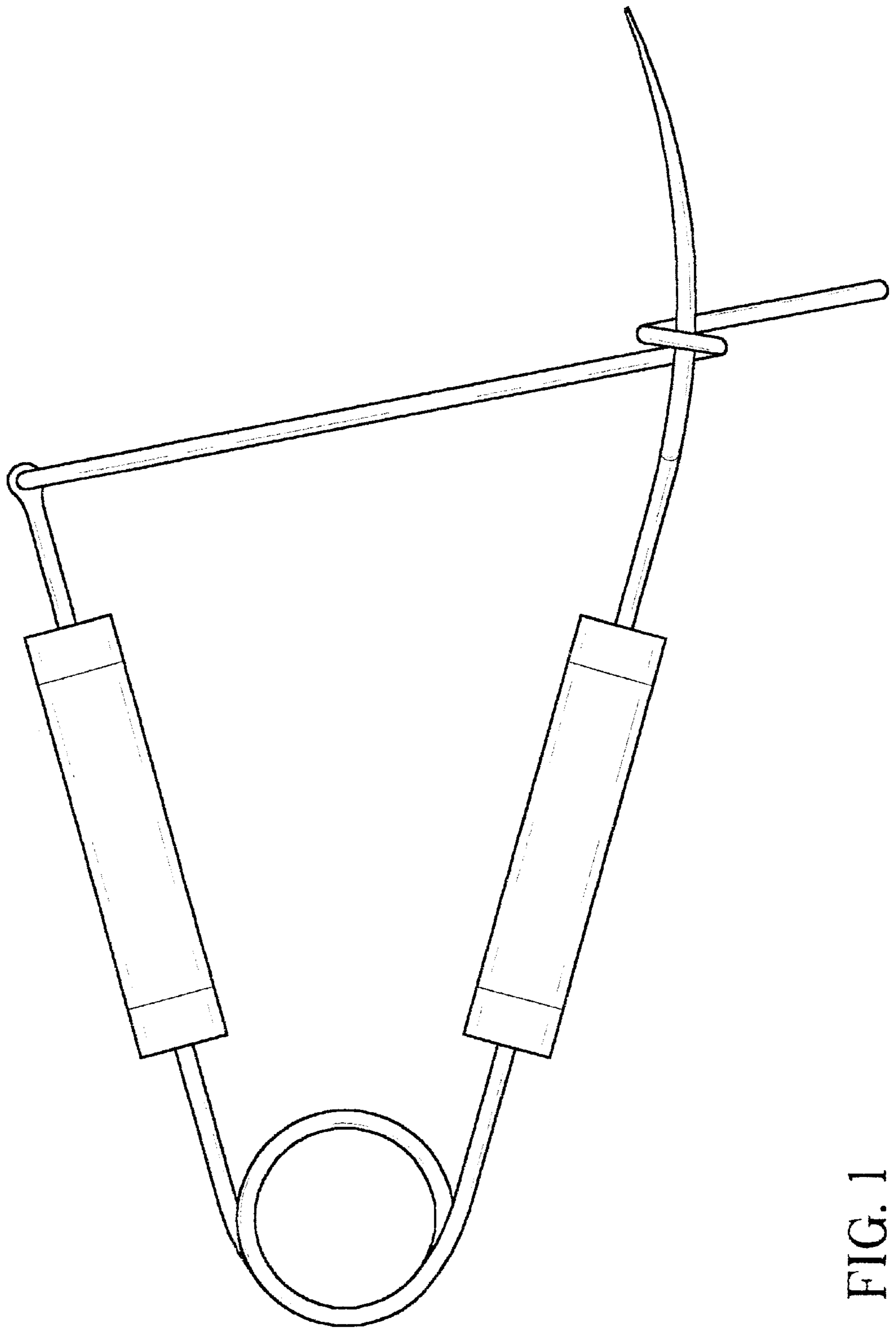


FIG. 1

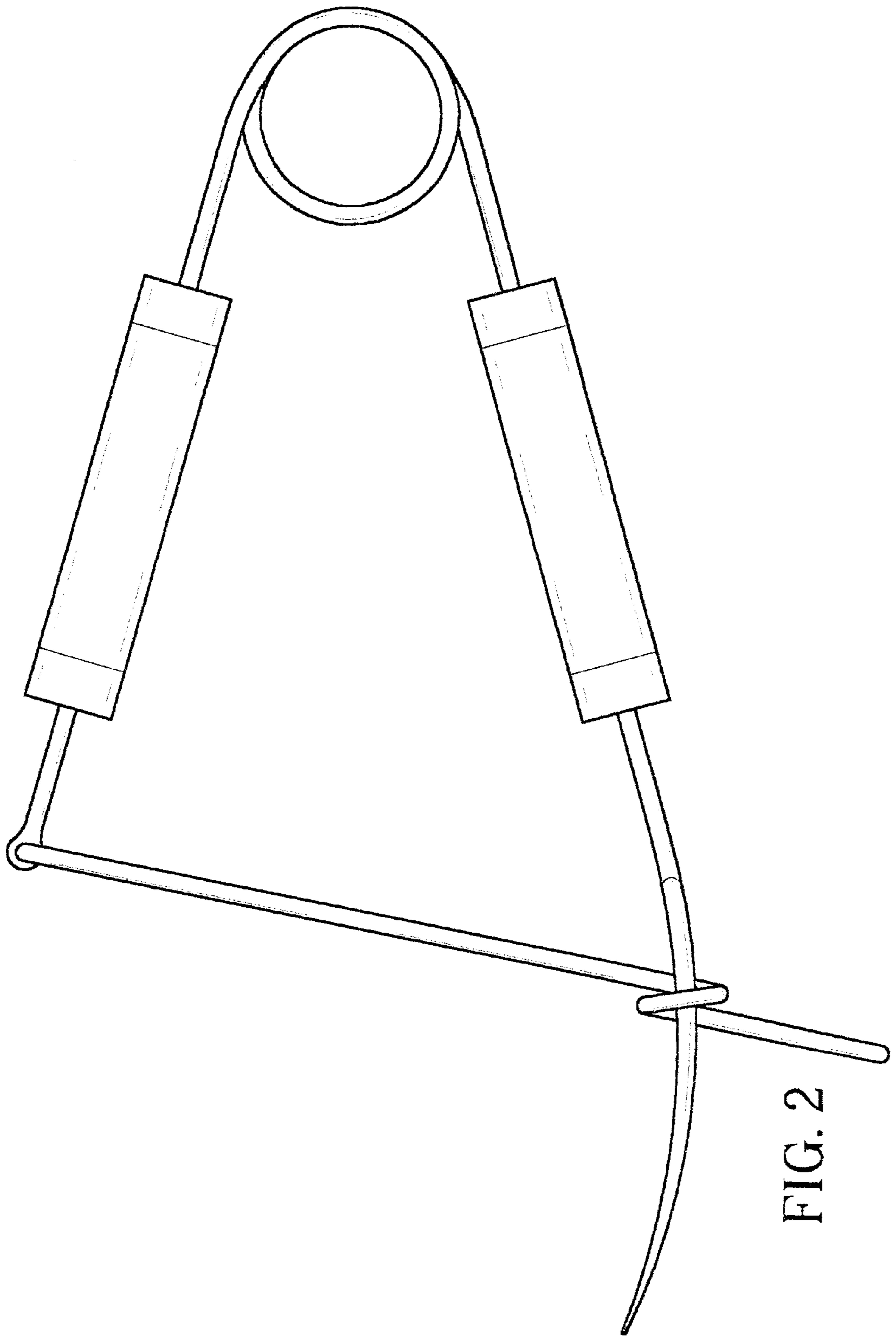


FIG. 2

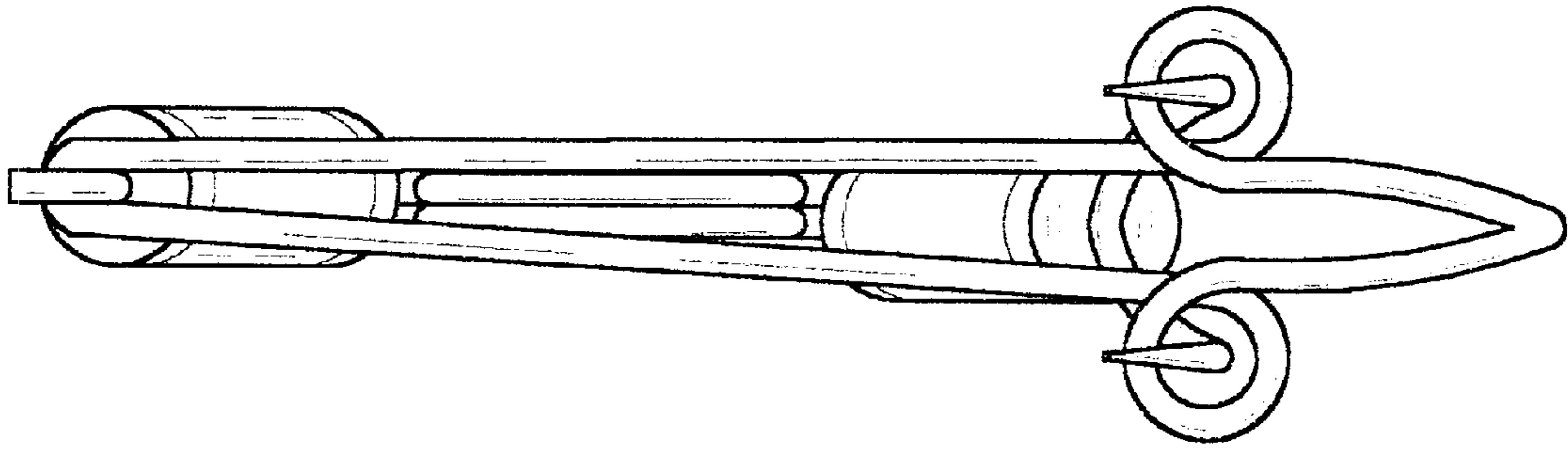


FIG. 4

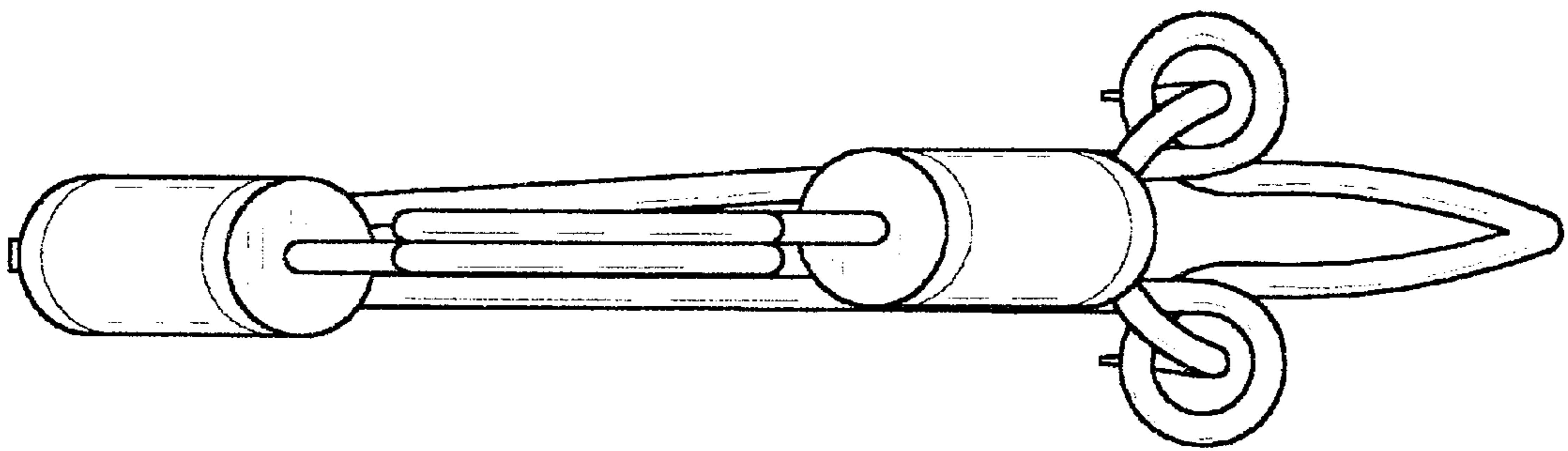


FIG. 3

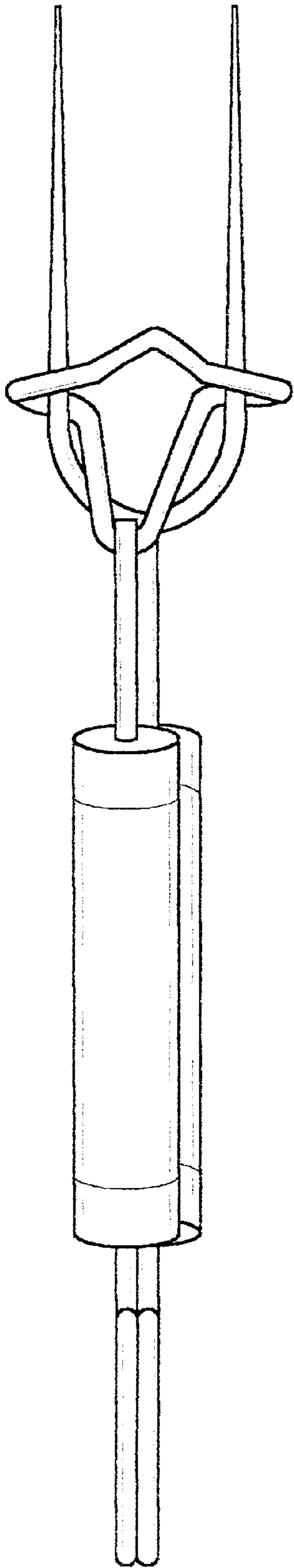


FIG. 5

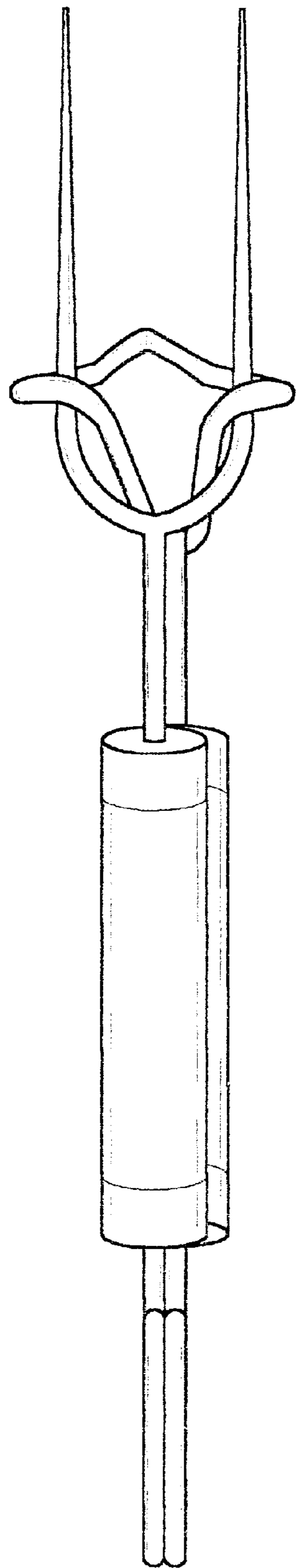


FIG. 6