



US00D459161S

(12) **United States Design Patent**  
**Rowe et al.**

(10) **Patent No.:** **US D459,161 S**

(45) **Date of Patent:** **\*\* Jun. 25, 2002**

(54) **FORK WITH JOINED SHANK**

D424,869 S \* 5/2000 Chau ..... D7/395  
D447,385 S \* 9/2001 Saunders ..... D7/395

(75) Inventors: **Mike Rowe**, Dayton, OH (US);  
**Andrew Kahler**, Forston, GA (US);  
**Alan Cummings**, Opelika, AL (US)

\* cited by examiner

(73) Assignee: **W. C. Bradley Company**, Columbus,  
GA (US)

*Primary Examiner*—Terry A. Wallace  
(74) *Attorney, Agent, or Firm*—James W. Kayden; Thomas,  
Kayden, Horstemeyer & Risley

(\*\*) Term: **14 Years**

(57) **CLAIM**

(21) Appl. No.: **29/142,742**

The ornamental design of fork with joined shank, as shown  
and described.

(22) Filed: **May 31, 2001**

**DESCRIPTION**

(51) **LOC (7) Cl.** ..... **07-02**

(52) **U.S. Cl.** ..... **D7/683**

(58) **Field of Search** ..... D7/393–395, 401.2,  
D7/682–696; D8/107; 16/110.1, 430, 431,  
444; 30/322, 323

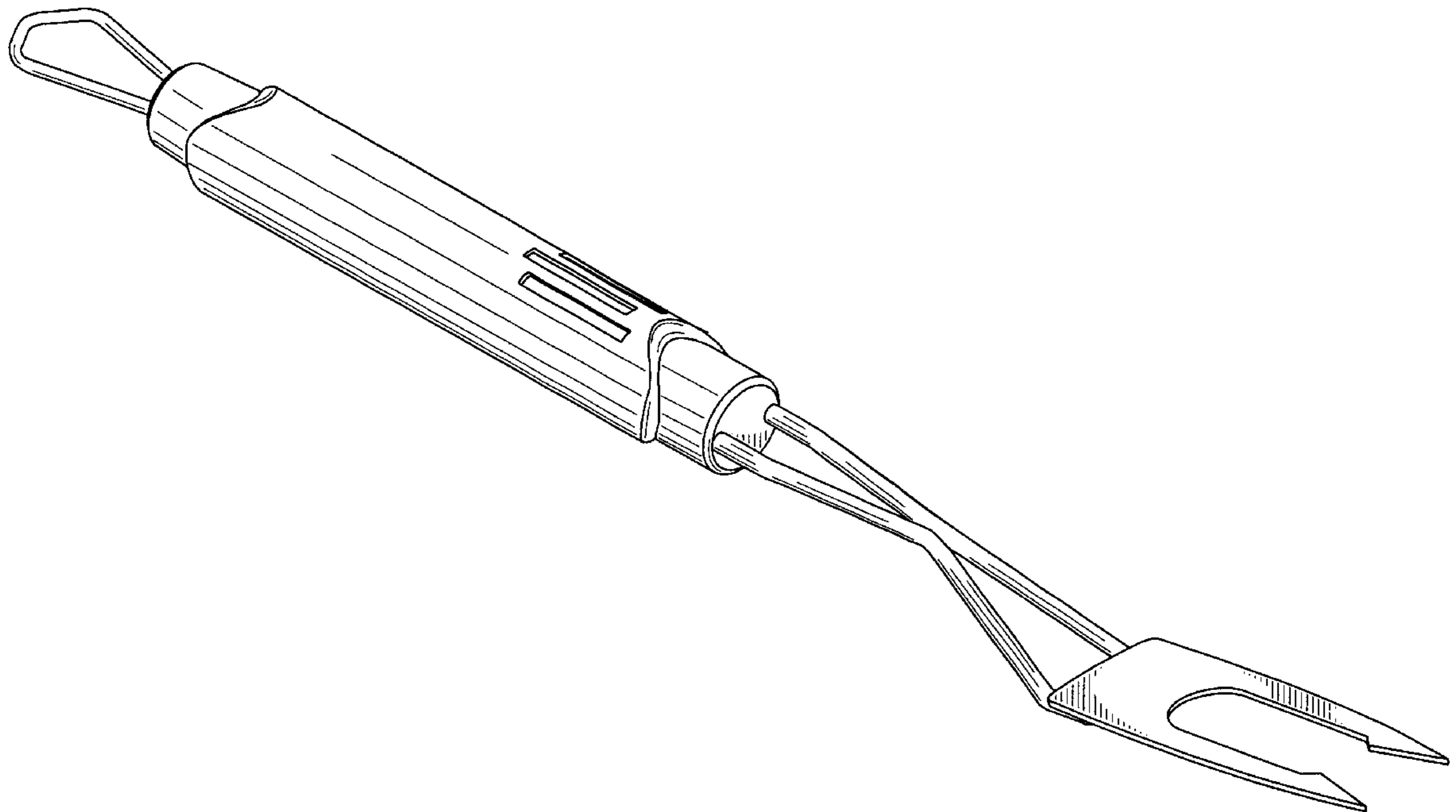
FIG. 1 is a perspective view showing our new fork with  
joined shank;  
FIG. 2 is a front elevational view thereof;  
FIG. 3 is a rear elevational view thereof;  
FIG. 4 is a top plan view thereof;  
FIG. 5 is a right elevational side view thereof, the left side  
elevational view thereof being a mirror image of that which  
is shown; and,  
FIG. 6 is a bottom plan view thereof.

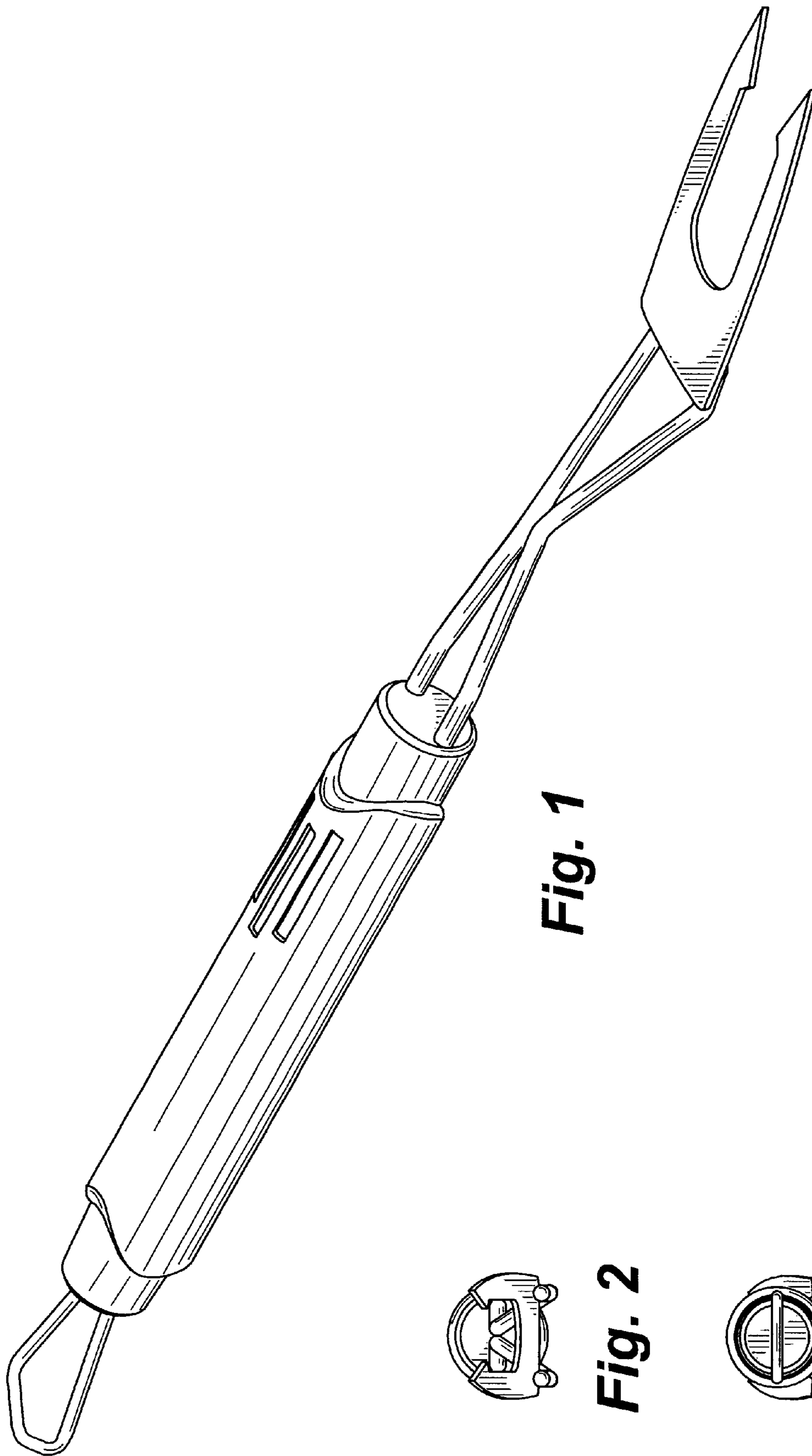
(56) **References Cited**

**U.S. PATENT DOCUMENTS**

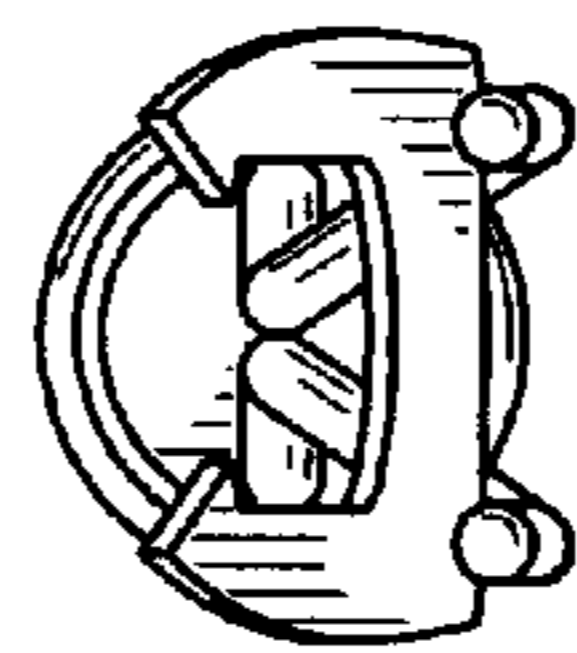
2,248,685 A \* 7/1941 Lunz ..... D7/683 X  
D392,848 S \* 3/1998 Zeller ..... D7/683

**1 Claim, 2 Drawing Sheets**

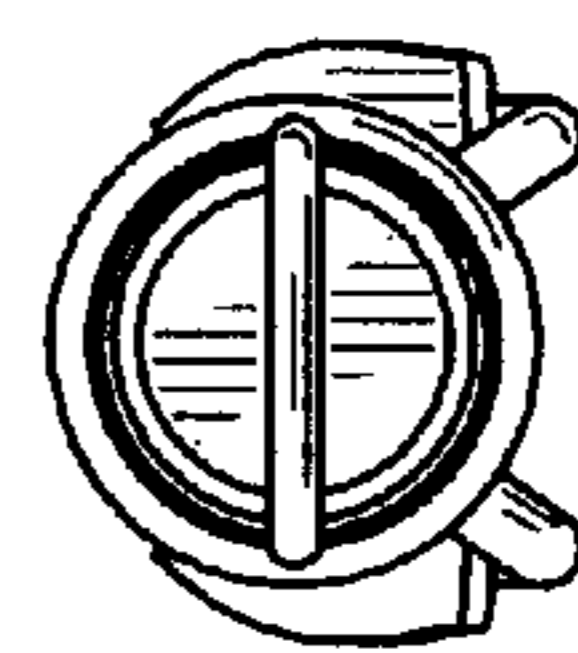




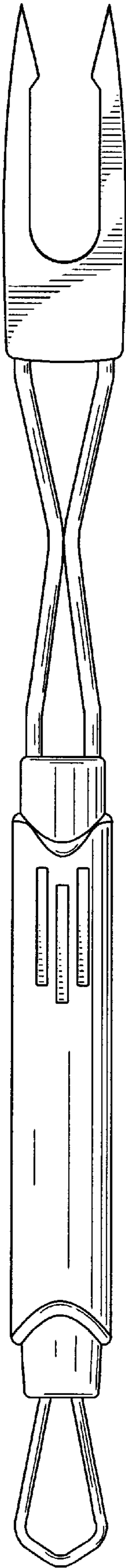
**Fig. 1**



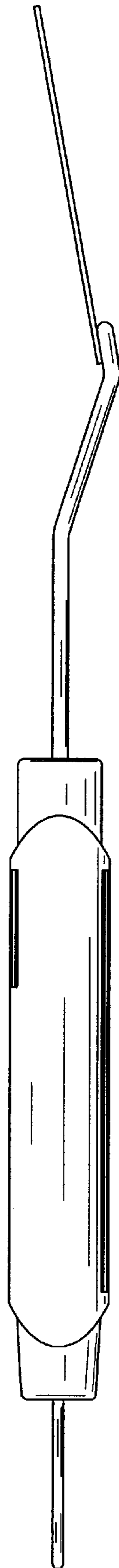
**Fig. 2**



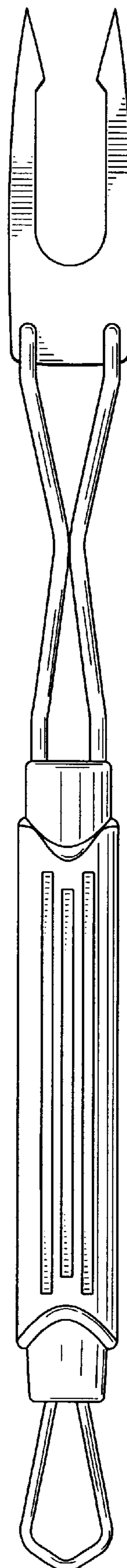
**Fig. 3**



**Fig. 4**



**Fig. 5**



**Fig. 6**