



US00D459157S

(12) **United States Design Patent**  
**Manning**

(10) **Patent No.:** **US D459,157 S**

(45) **Date of Patent:** **\*\* Jun. 25, 2002**

(54) **INSULATED DUAL THERMOS**

(76) Inventor: **Debra Manning**, 1575 E. 98th St., 1st Floor, Brooklyn, NY (US) 11236

(\*\*) Term: **14 Years**

(21) Appl. No.: **29/144,733**

(22) Filed: **Jul. 10, 2001**

(51) **LOC (7) Cl.** ..... **07-01**

(52) **U.S. Cl.** ..... **D7/608**

(58) **Field of Search** ..... D7/605-608; 62/457.1-457.4, 62/371; 215/6, 12.1, 12.2, 13.1; 220/592.27

(56) **References Cited**

**U.S. PATENT DOCUMENTS**

2,963,188 A	*	12/1960	Palermo	.....	215/12.2
3,371,807 A		3/1968	Clouser	.....	215/6
D236,315 S	*	8/1975	Russo	.....	D7/605
D316,013 S		4/1991	Jones	.....	D7/608
D316,653 S	*	5/1991	Spencer	.....	D7/605

5,086,926 A 2/1992 Paige et al. .... 206/542

D339,033 S \* 9/1993 Bishop ..... D7/605

5,485,921 A 1/1996 Tolendano ..... 206/545

\* cited by examiner

*Primary Examiner*—Terry A. Wallace

(74) *Attorney, Agent, or Firm*—Goldstein Law Office, P.C.

(57) **CLAIM**

The ornamental design for an insulated dual thermos, as shown and described.

**DESCRIPTION**

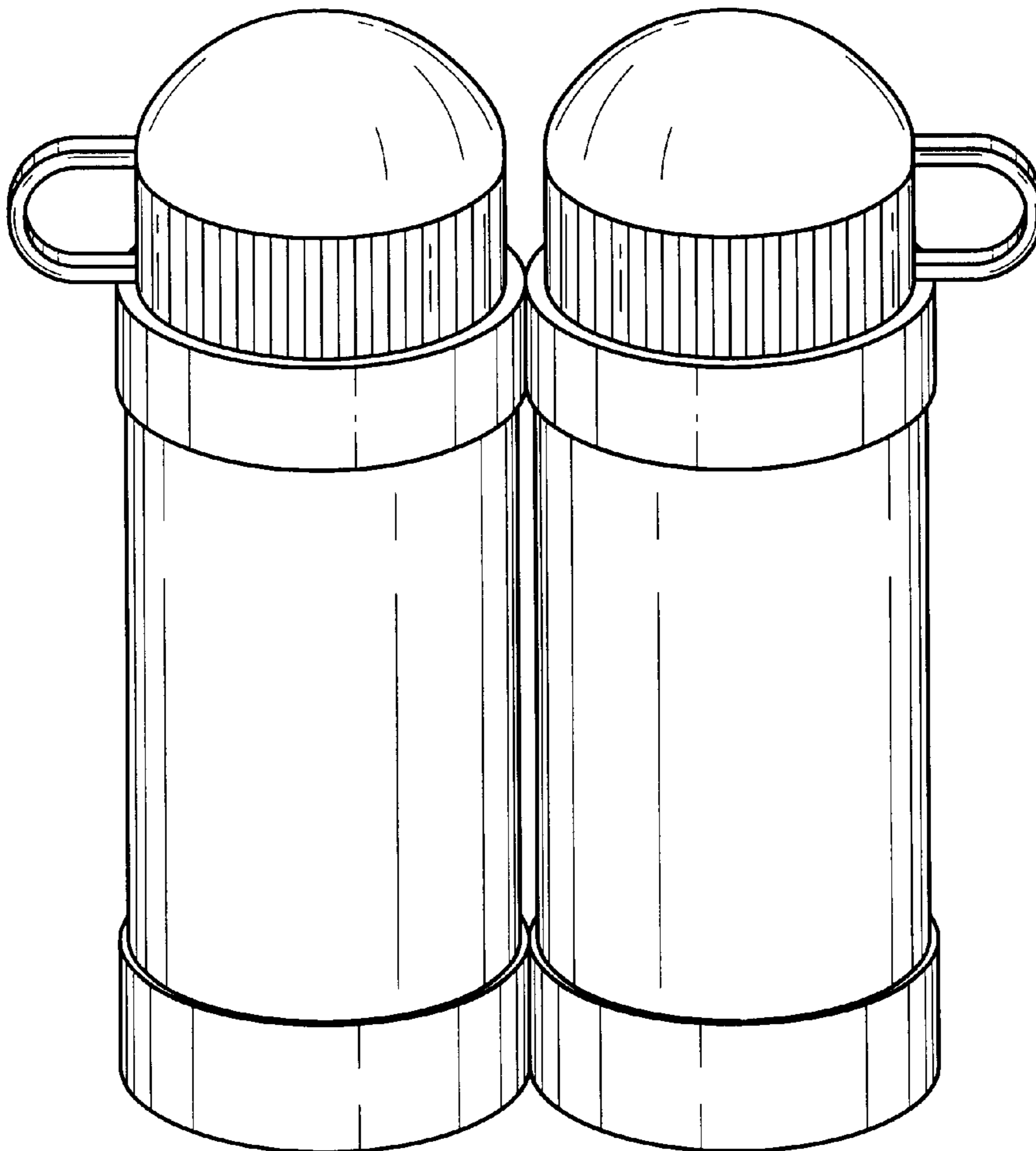
FIG. 1 is a perspective view of an insulated dual thermos. FIG. 2 is a front elevational view thereof, the rear elevational view being a mirror image of the front view.

FIG. 3 is a top plan view thereof.

FIG. 4 is a bottom plan view thereof; and,

FIG. 5 is a left side elevational view thereof, the right side elevational view being a mirror image of the left side view.

**1 Claim, 2 Drawing Sheets**



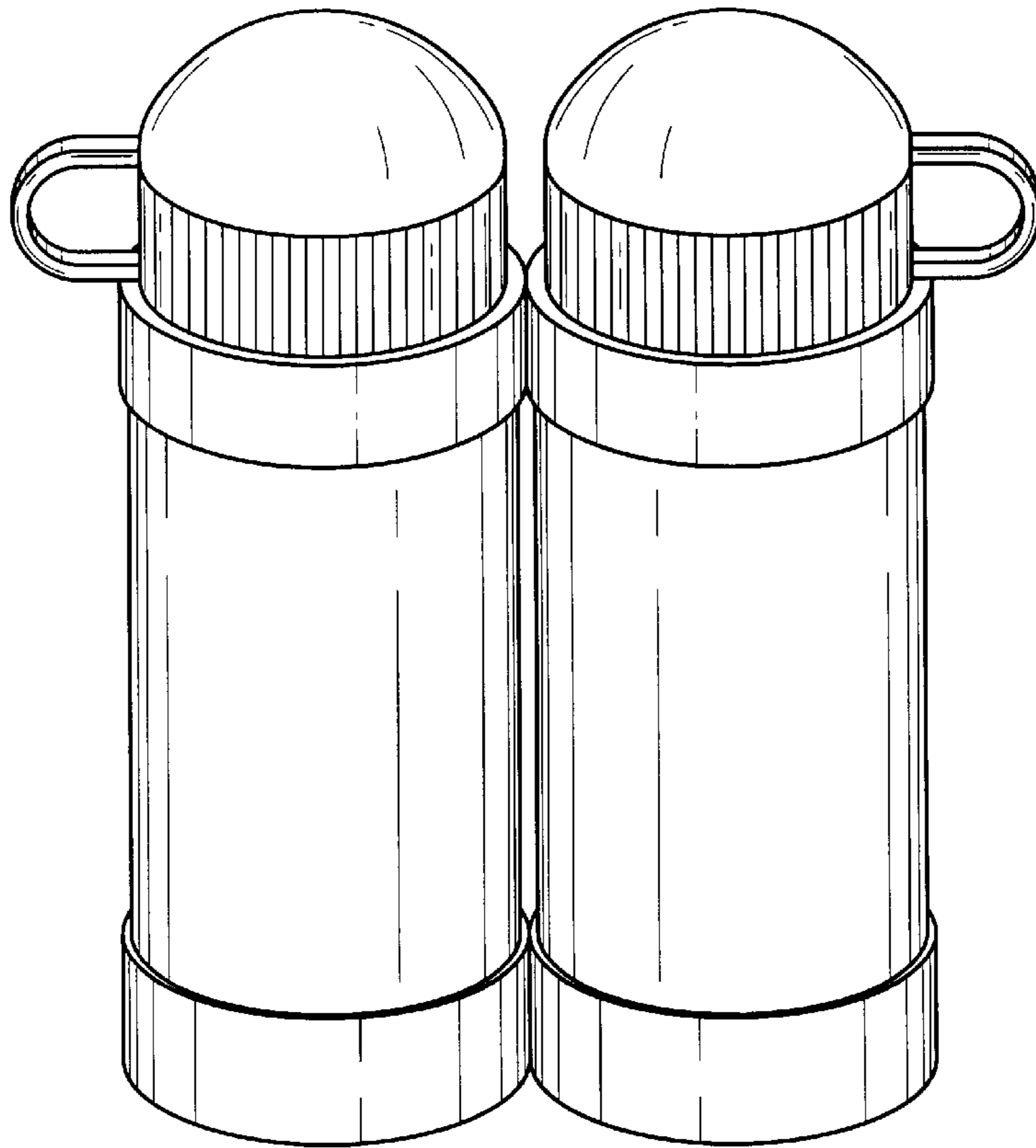


Fig. 1

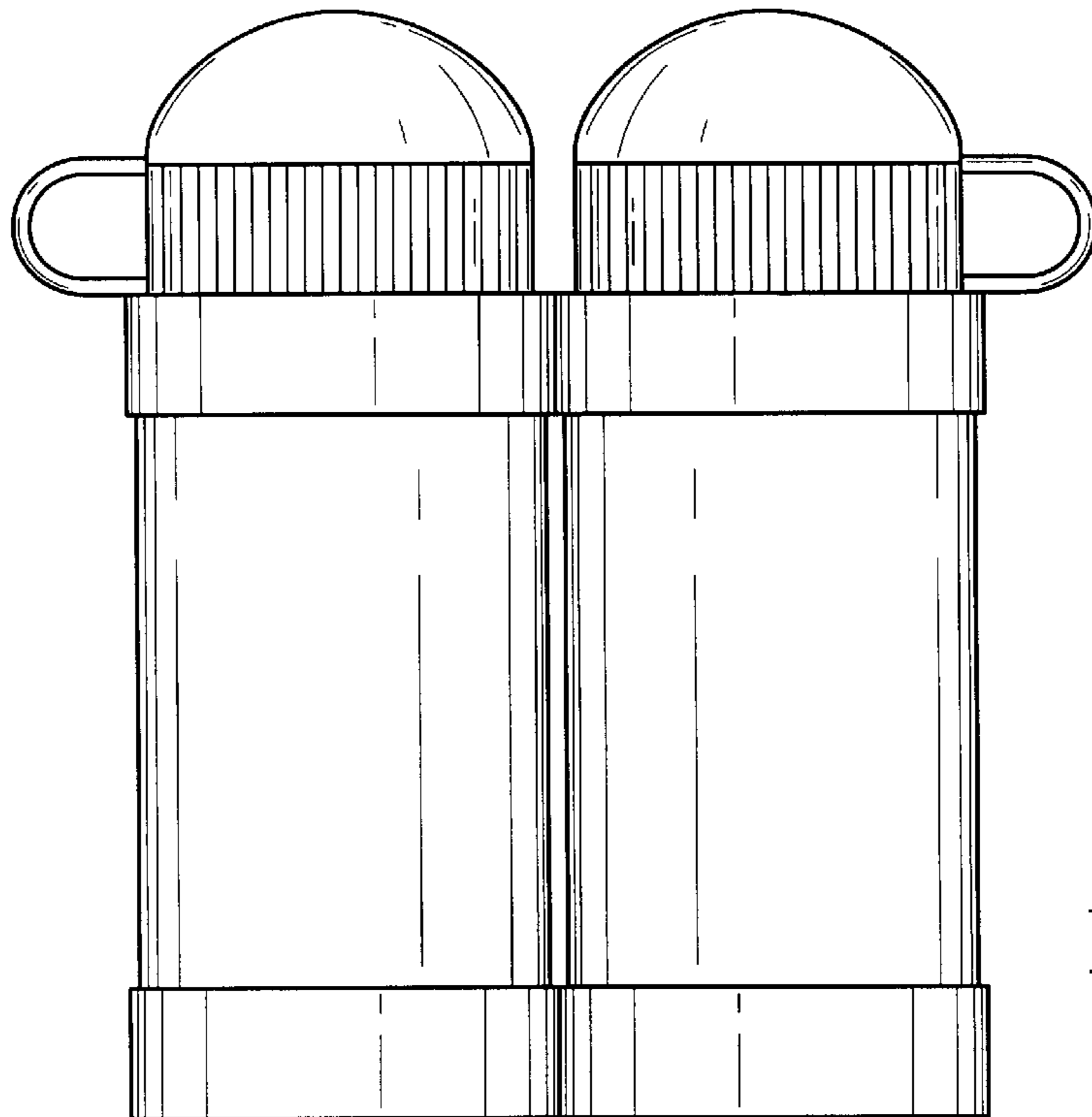


Fig. 2

Fig. 3

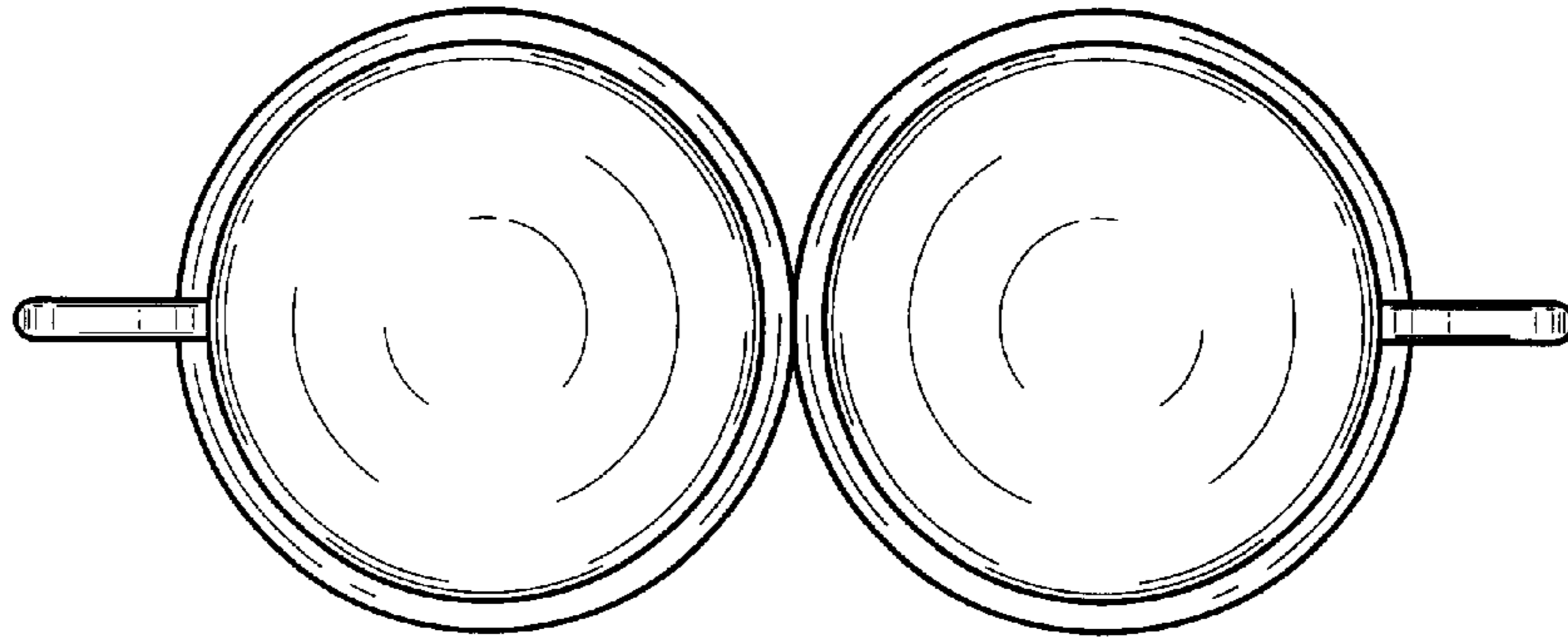


Fig. 4

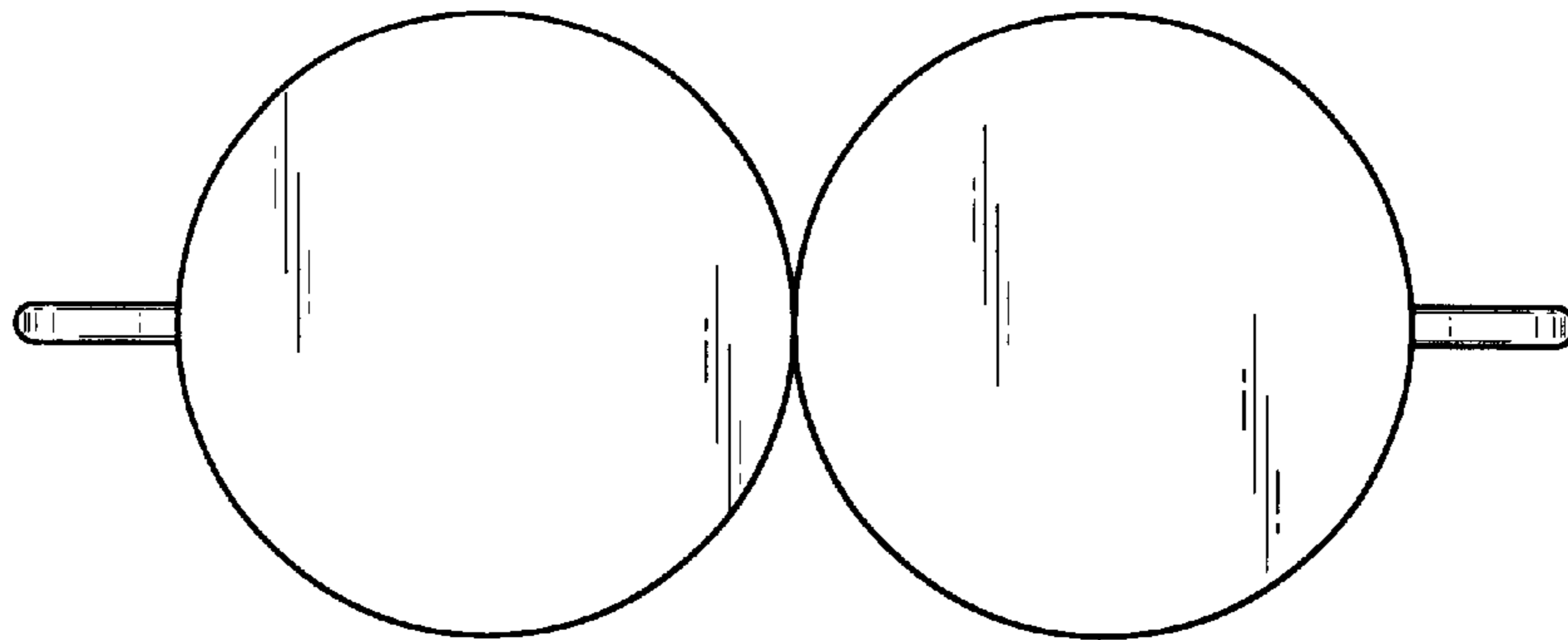


Fig. 5

