



US00D459155S

(12) **United States Design Patent**
Atkin et al.

(10) **Patent No.:** **US D459,155 S**
(45) **Date of Patent:** **** Jun. 25, 2002**

(54) **NON-SPILL CUP**

(75) Inventors: **Edward Atkin; Graham Antony Tulett**, both of London (GB)

(73) Assignee: **Cannon Rubber Limited**, London (GB)

(**) Term: **14 Years**

(21) Appl. No.: **29/130,154**

(22) Filed: **Sep. 29, 2000**

(30) **Foreign Application Priority Data**

Mar. 29, 2000 (GB) 2091750

(51) **LOC (7) Cl.** **07-01**

(52) **U.S. Cl.** **D7/510; D7/511**

(58) **Field of Search** D7/509, 510, 511,
D7/536, 392.1, 523; 220/714, 254, 703,
715, 713; D24/197; 215/12.1, 307, 309,
13.1

(56) **References Cited**

U.S. PATENT DOCUMENTS

D165,778 S * 1/1952 Olsen D7/510

D326,796 S * 6/1992 Kawano D7/510
D341,892 S * 11/1993 Yagi D24/197
D359,417 S * 6/1995 Chen D7/510
D371,304 S * 7/1996 Onneweer D9/503
D397,906 S * 9/1998 Briggs et al. D7/392.1
D407,269 S * 3/1999 Fletcher D7/510
D408,221 S * 4/1999 Asberg D7/511
D417,591 S * 12/1999 Roehrig D7/510
D421,878 S * 3/2000 Roehrig D7/510
D438,758 S * 3/2001 Tal et al. D7/510
D439,111 S * 3/2001 Tal et al. D7/511
D442,435 S * 5/2001 Takagi D7/510
D446,685 S * 8/2001 Atkin et al. D7/510

* cited by examiner

Primary Examiner—M. N. Pandozzi

(74) *Attorney, Agent, or Firm*—McDermott, Will & Emery

(57) **CLAIM**

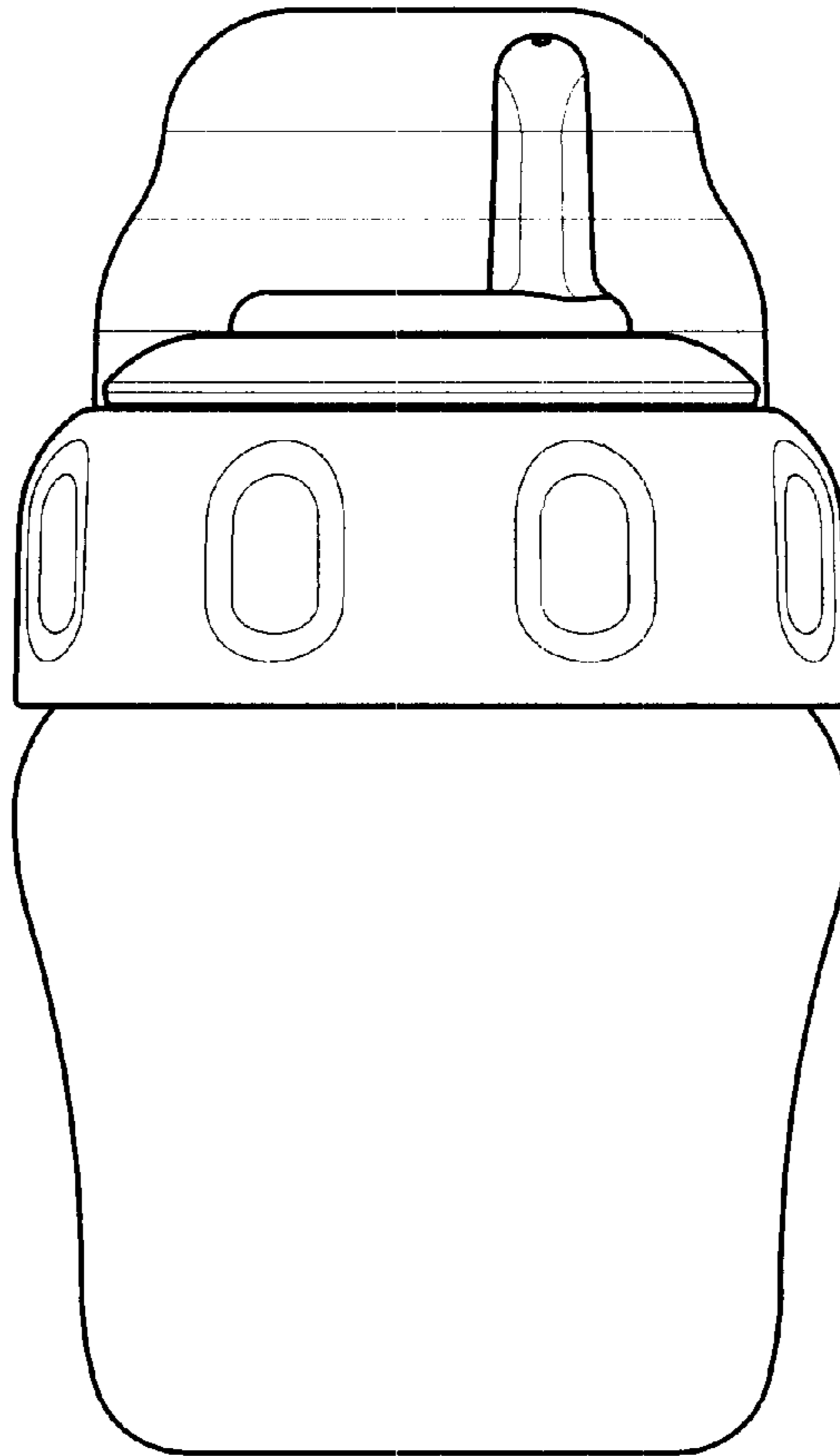
The ornamental design for a non-spill cup, as shown and described.

DESCRIPTION

FIG. 1 is a side view of a non-spill cup, showing my new design; and,

FIG. 2 is a perspective view thereof.

1 Claim, 1 Drawing Sheet



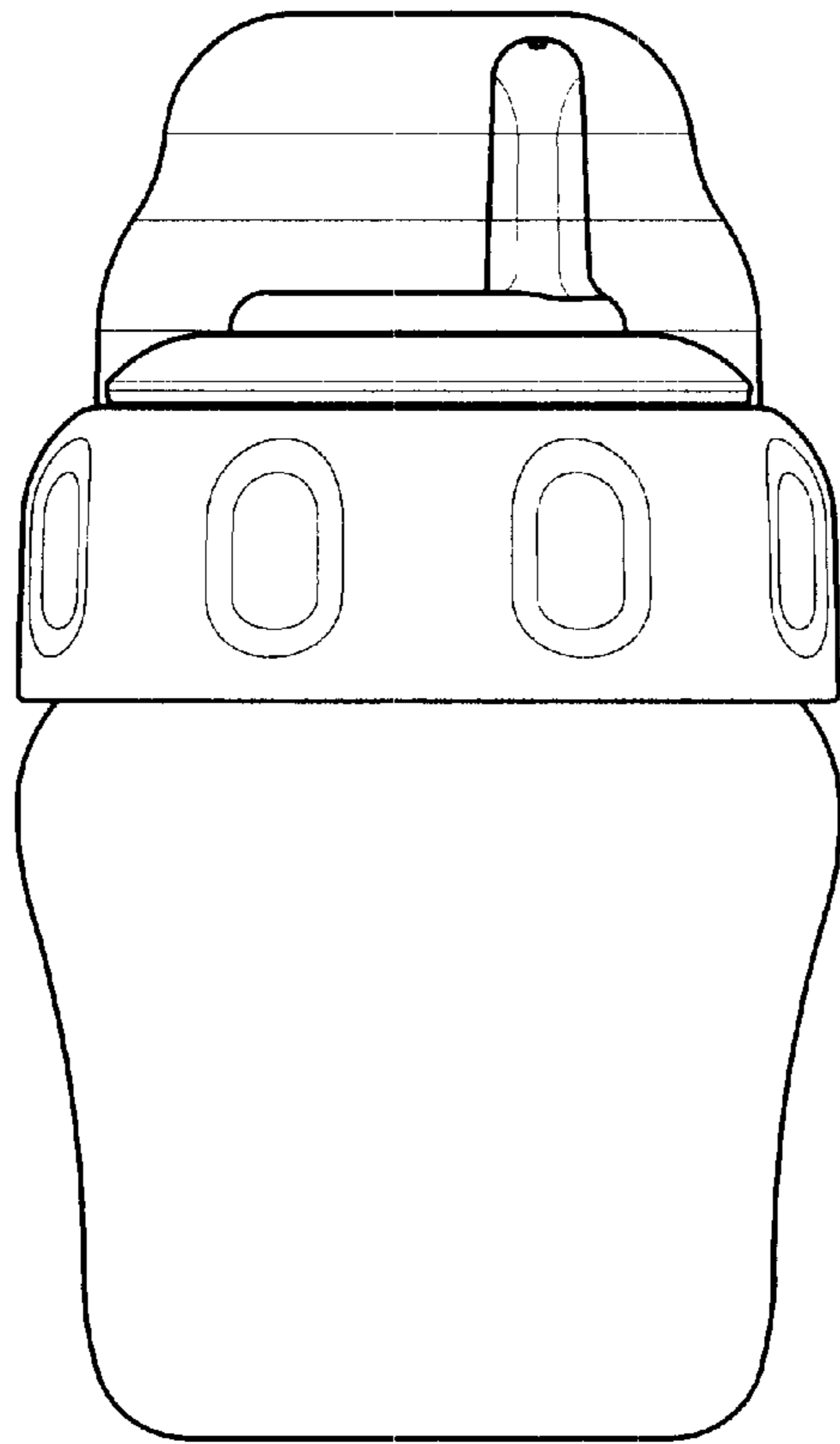


FIGURE 1

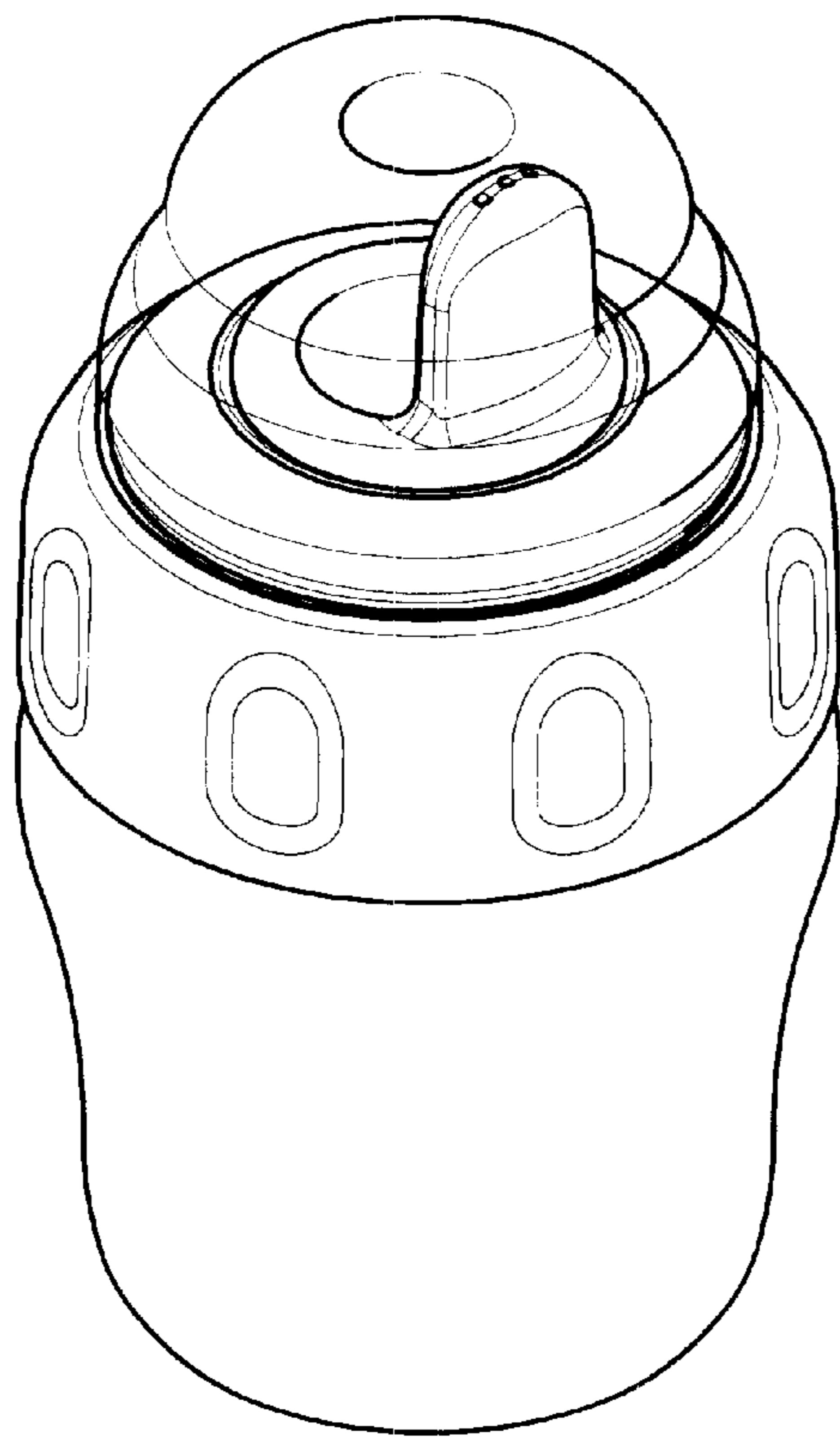


FIGURE 2