



US00D459154S

(12) **United States Design Patent**  
**Liu**

(10) **Patent No.:** **US D459,154 S**  
(45) **Date of Patent:** **\*\* Jun. 25, 2002**

(54) **CHARCOAL STARTER**

(76) **Inventor:** **George C. M. Liu**, No. 1-10,  
Hsing-Chung Rd., Tou-Nan Chen,  
Yunlin Hsien (TW)

(\*\*) **Term:** **14 Years**

(21) **Appl. No.:** **29/146,228**

(22) **Filed:** **Aug. 6, 2001**

(51) **LOC (7) Cl.** ..... **07-99**

(52) **U.S. Cl.** ..... **D7/417**

(58) **Field of Search** ..... D7/417, 416; 126/414,  
126/25 B, 146, 9 R; 431/254; D23/386

(56) **References Cited**

**U.S. PATENT DOCUMENTS**

2,920,614 A	*	1/1960	Phelps	.....	126/25 B
3,734,034 A	*	5/1973	Fowler	.....	126/25 B
3,884,214 A	*	5/1975	Duncan	.....	126/25 B
D237,888 S	*	12/1975	Weidenborner et al.	.....	D7/417
3,934,520 A	*	1/1976	Brennan	.....	126/25 B
D245,096 S	*	7/1977	Heidelbach	.....	D7/417
D245,256 S	*	8/1977	Heidelbach	.....	D7/417
D245,622 S	*	8/1977	Storandt	.....	D7/417

4,227,510 A	*	10/1980	Frazier et al.	.....	126/25 B
4,282,854 A	*	8/1981	Byars	.....	126/25 B
D271,237 S	*	11/1983	Palmer et al.	.....	D7/417
D288,843 S	*	3/1987	Barnes	.....	D7/417
5,230,325 A	*	7/1993	Williams	.....	126/25 B
D366,392 S	*	1/1996	Stephen et al.	.....	D7/417
6,009,867 A	*	1/2000	Walton	.....	126/25 B

\* cited by examiner

*Primary Examiner*—M. N. Pandozzi

(74) *Attorney, Agent, or Firm*—Dellett and Walters

(57) **CLAIM**

The ornamental design for a charcoal starter, as shown.

**DESCRIPTION**

FIG. 1 is a perspective view of a charcoal starter showing my new design;

FIG. 2 is a front elevational view thereof;

FIG. 3 is a rear elevational view thereof;

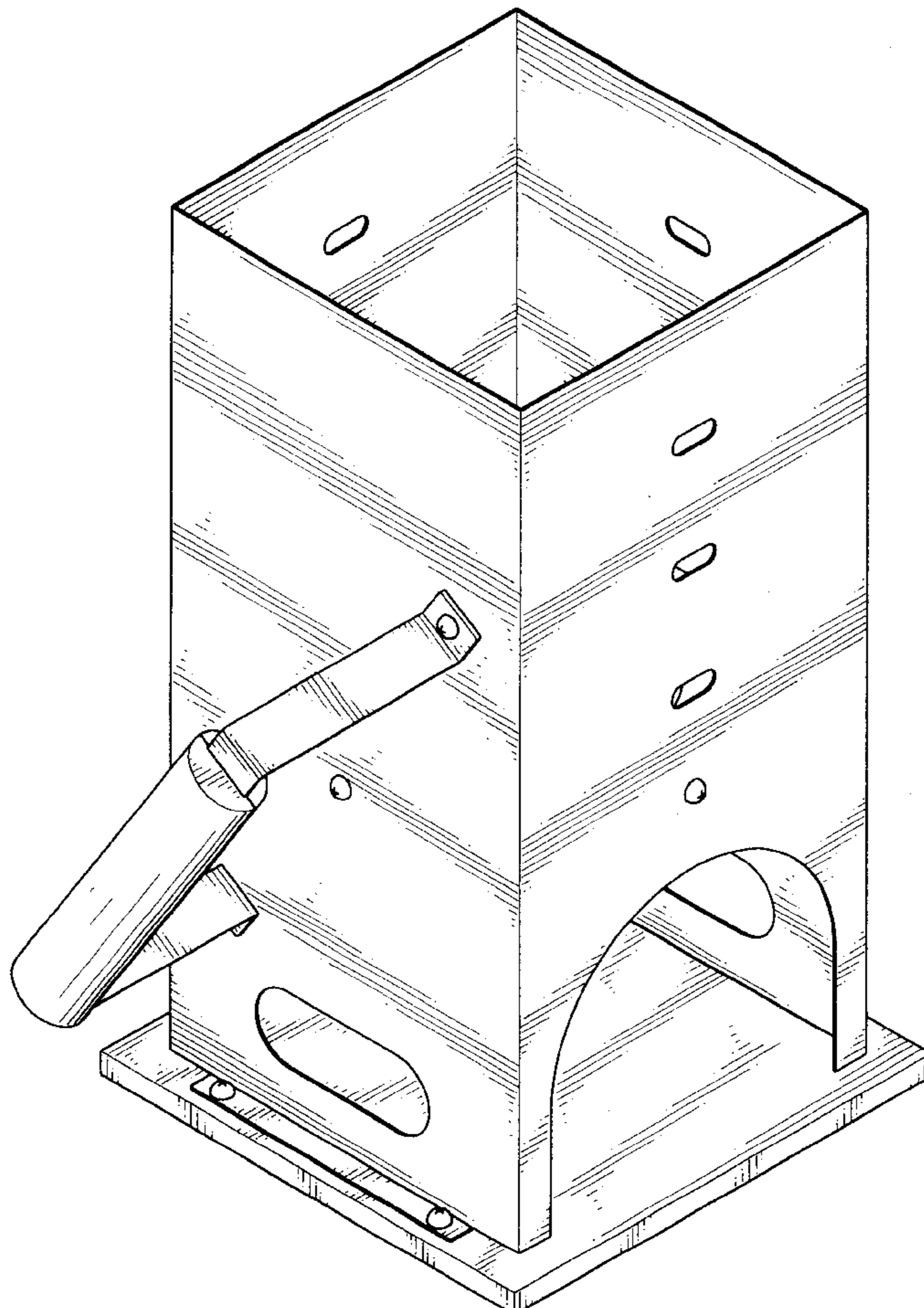
FIG. 4 is a left side view thereof;

FIG. 5 is a right side view thereof;

FIG. 6 is a top plain view thereof; and,

FIG. 7 is a bottom plain view thereof.

**1 Claim, 4 Drawing Sheets**



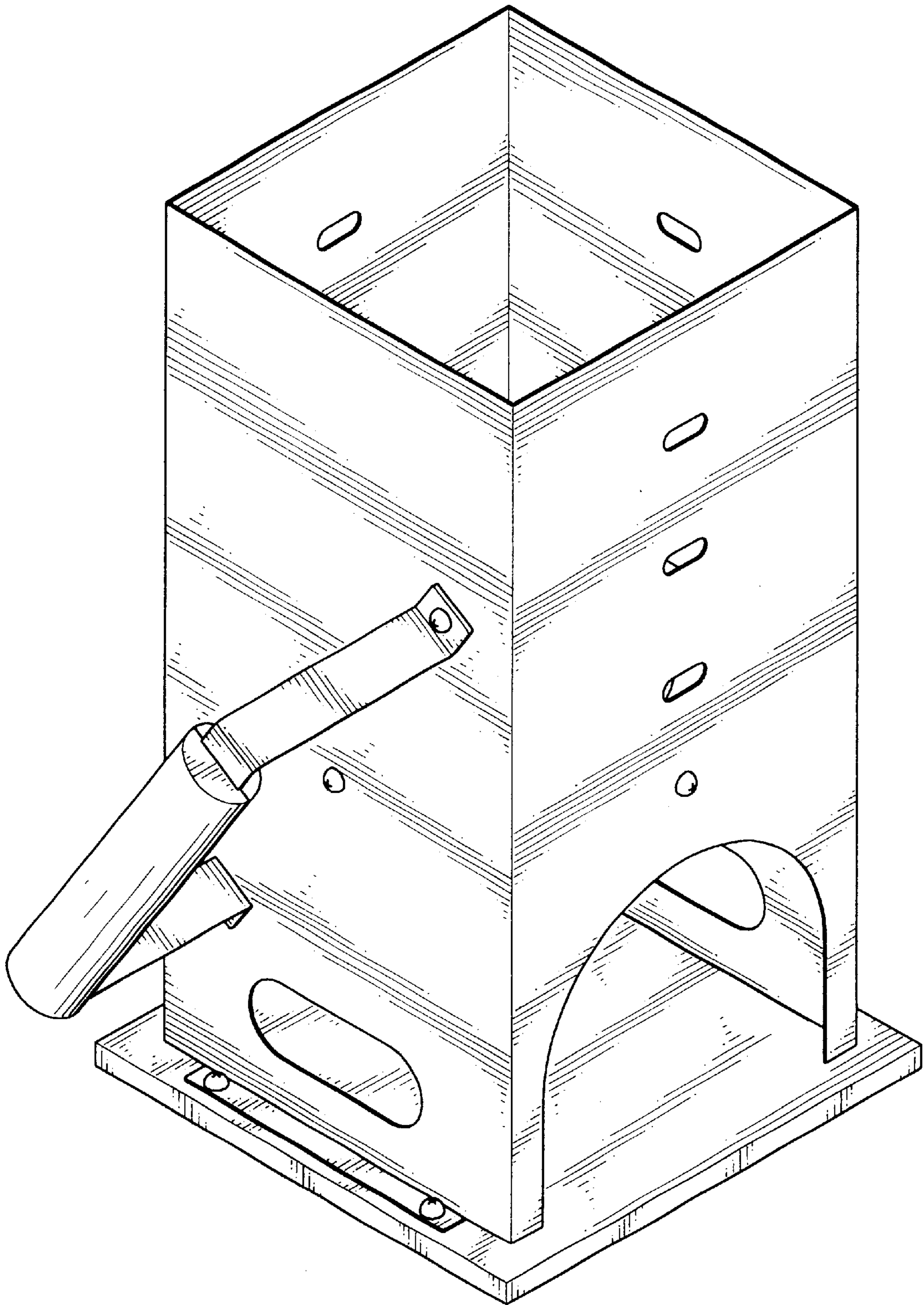


FIG. 1

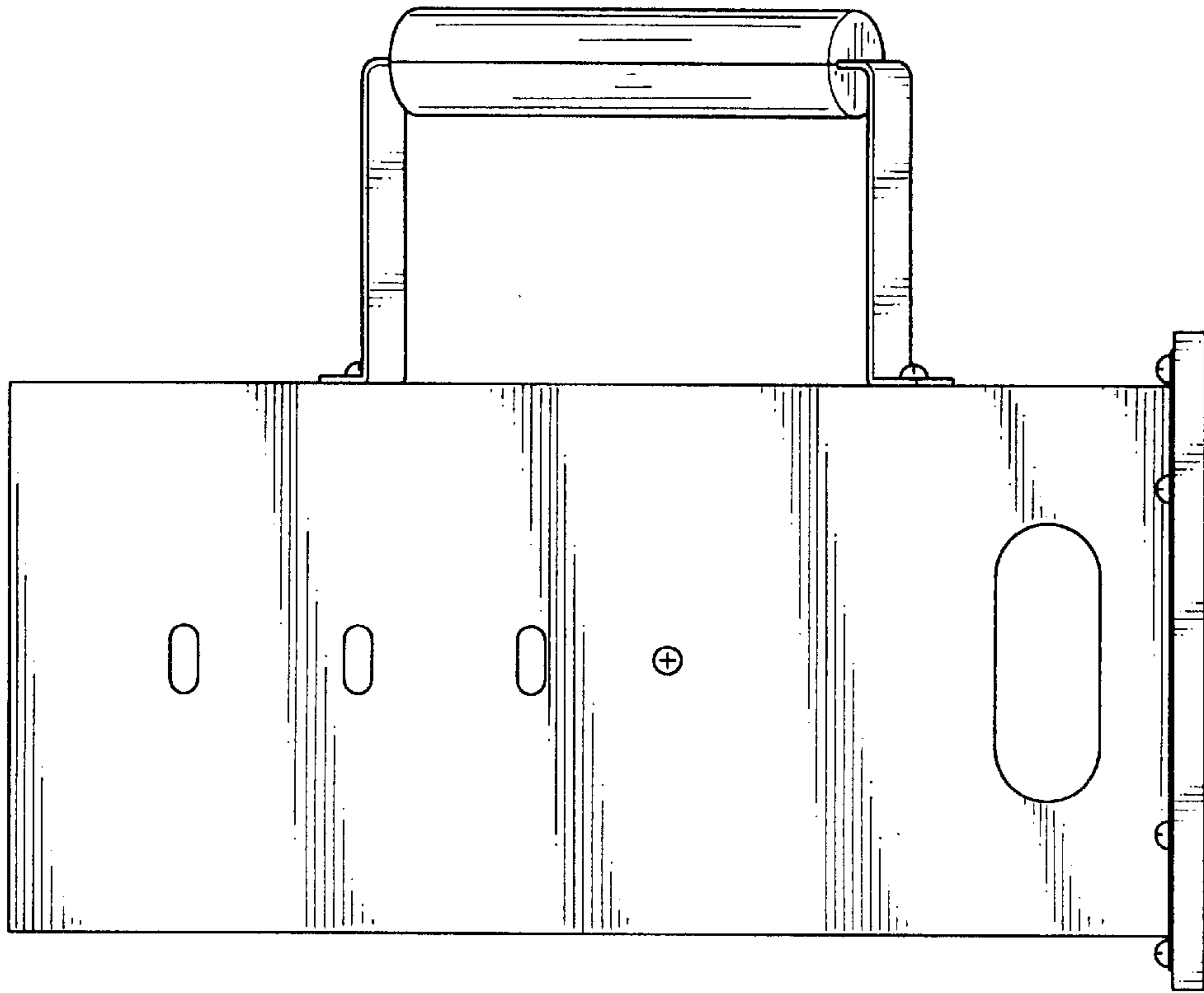


FIG. 3

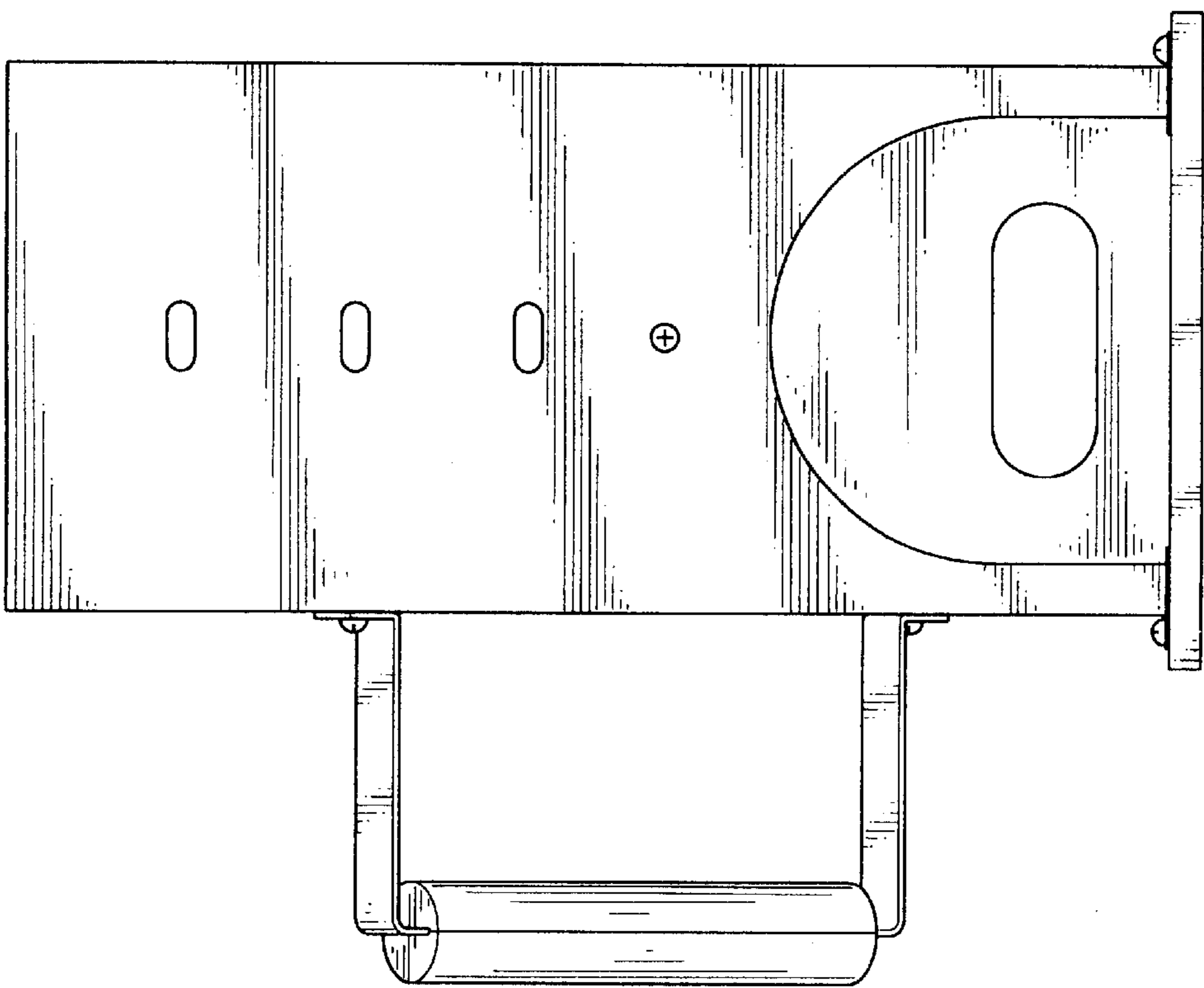


FIG. 2

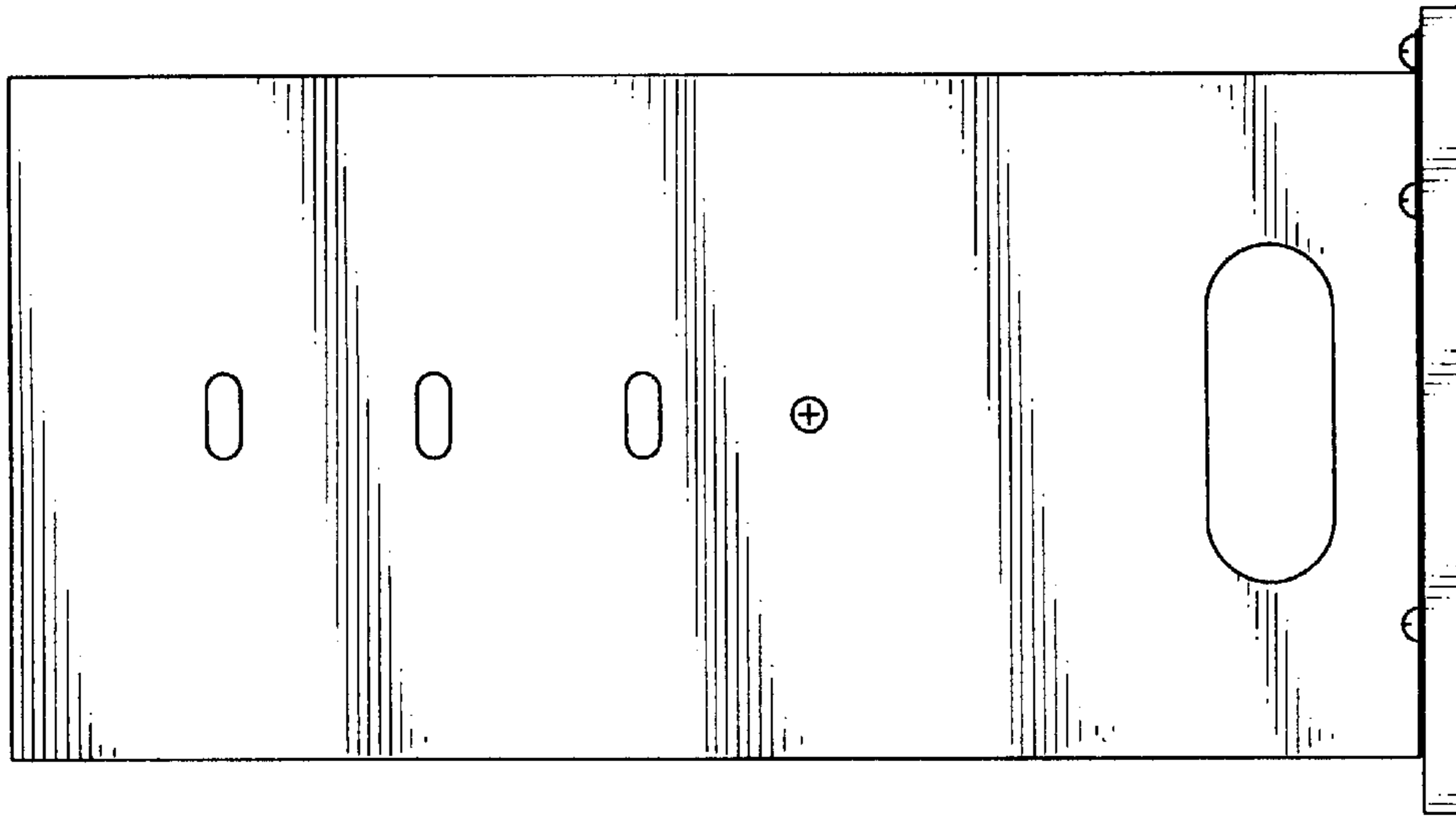


FIG. 5

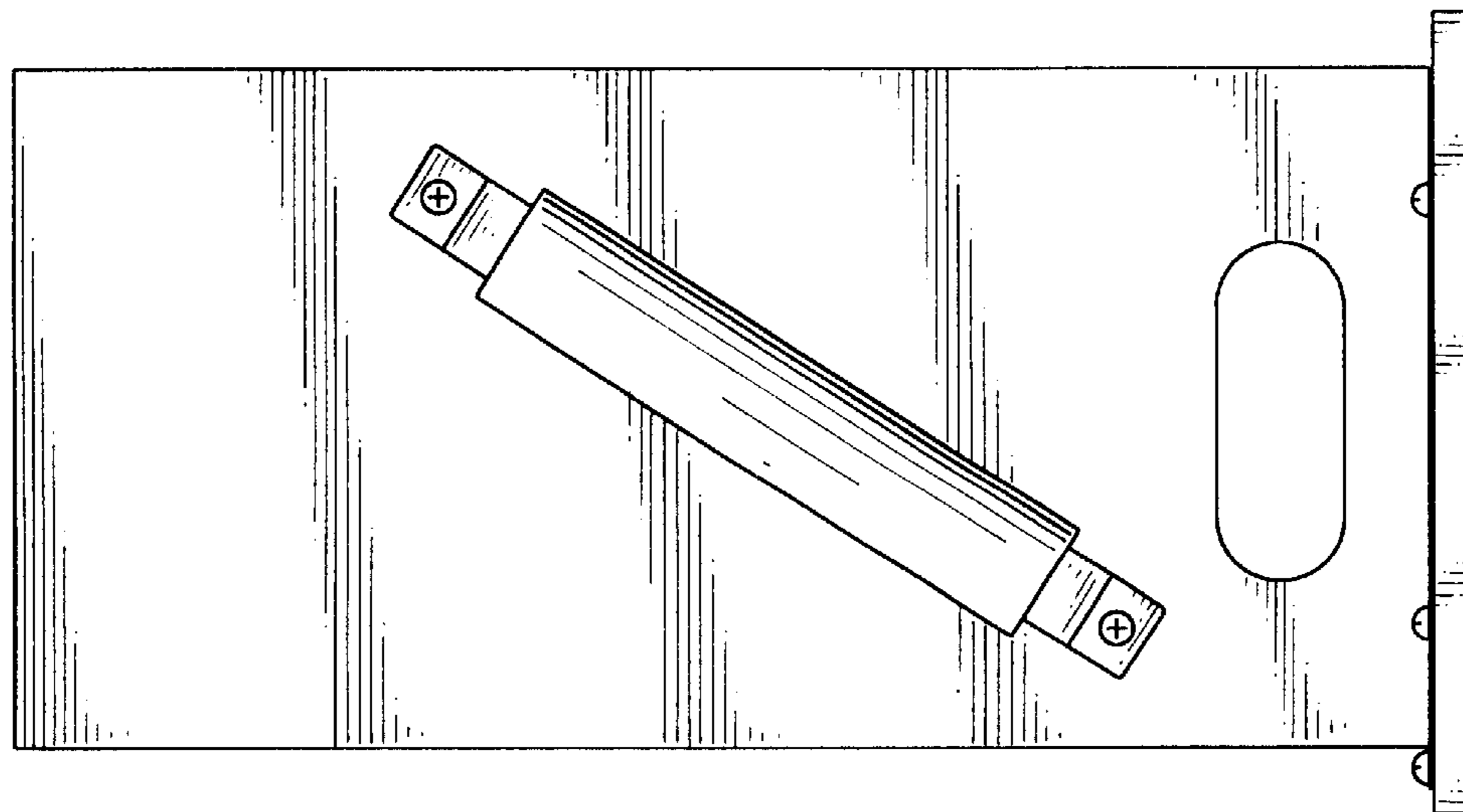


FIG. 4

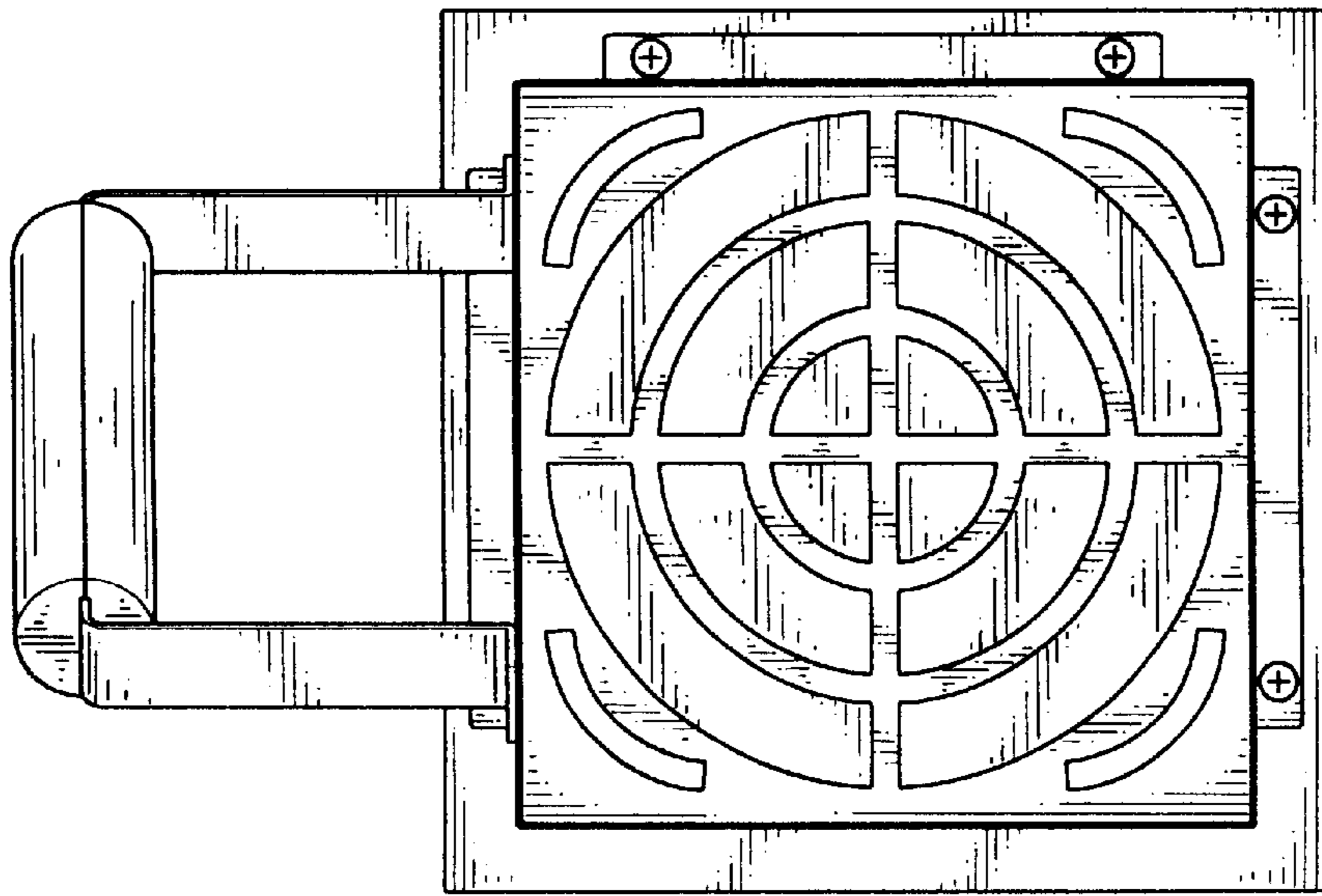


FIG. 6

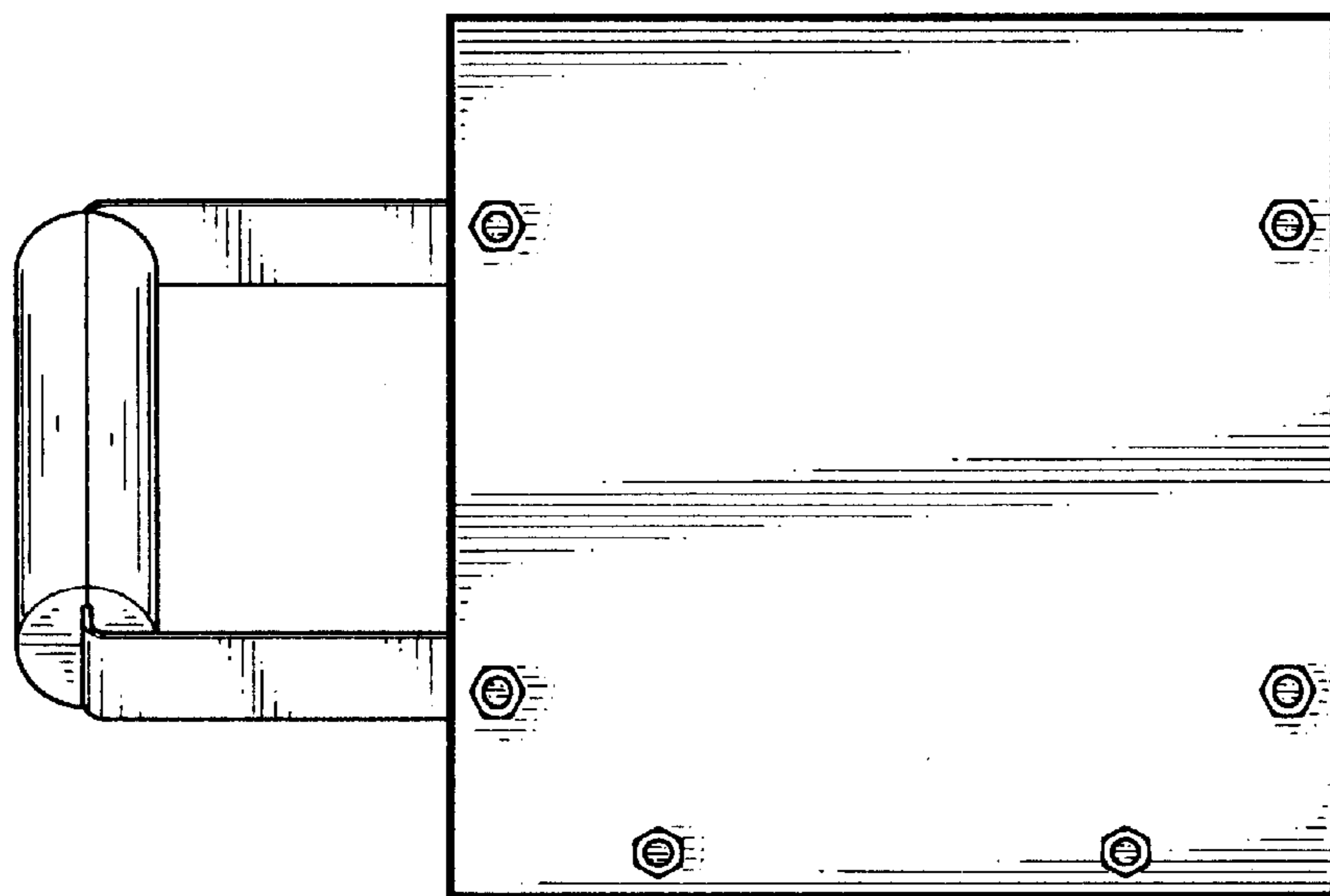


FIG. 7