



US00D459153S

(12) **United States Design Patent**  
**Taylor-McCune**

(10) **Patent No.:** **US D459,153 S**

(45) **Date of Patent:** **\*\* Jun. 25, 2002**

(54) **CONDIMENT DISPENSER NOZZLE**

(75) **Inventor:** **Christopher J. Taylor-McCune,**  
**Mission Viejo, CA (US)**

(73) **Assignee:** **SHURflo Pump Manufacturing Co.,**  
**Inc., Santa Ana, CA (US)**

(\*\*) **Term:** **14 Years**

(21) **Appl. No.:** **29/123,651**

(22) **Filed:** **May 22, 2000**

(51) **LOC (7) Cl.** ..... **07-06**

(52) **U.S. Cl.** ..... **D7/401.1**

(58) **Field of Search** ..... **D7/590, 401.1;**  
**239/463, 459, 302, 569, 570, DIG. 19;**  
**222/108, 129.1-129.4, 135, 136, 640; 141/95,**  
**206**

(56) **References Cited**

**U.S. PATENT DOCUMENTS**

3,539,112 A	*	11/1970	William et al. ....	239/459 X
5,366,117 A		11/1994	Mesenbring et al. ....	222/132
5,429,308 A		7/1995	Brown .....	239/414
5,431,343 A		7/1995	Kubiak et al. ....	239/105
5,540,774 A		7/1996	Smitherman .....	118/315
5,542,574 A		8/1996	Stern .....	222/137
5,566,863 A		10/1996	Mesenbring et al. ....	222/132
5,624,056 A		4/1997	Martindale .....	222/148
D401,477 S		11/1998	Martindale .....	D7/590
5,875,930 A	*	3/1999	Nakajima et al. ....	222/129.1

5,906,296 A	5/1999	Martindale et al. ....	222/108
5,992,764 A	11/1999	Bougamont et al. ....	239/459
5,996,846 A	12/1999	Martindale .....	222/132
6,058,986 A	5/2000	Bethuy et al. ....	141/198
6,082,587 A	7/2000	Martindale et al. ....	222/108

**OTHER PUBLICATIONS**

Product Brochure, "Hunt's Pumpable Condiments", Hunt-Wesson, Inc., 1997.

Product Brochure, "Introducing SAUCEflo Powered Condiment Dispense Systems", SHURflo Pump Manufacturing Co. (undated).

\* cited by examiner

*Primary Examiner*—Terry A. Wallace

(74) *Attorney, Agent, or Firm*—Michael Best & Friedrich LLP

(57) **CLAIM**

The ornamental design for a condiment dispenser nozzle, as shown and described.

**DESCRIPTION**

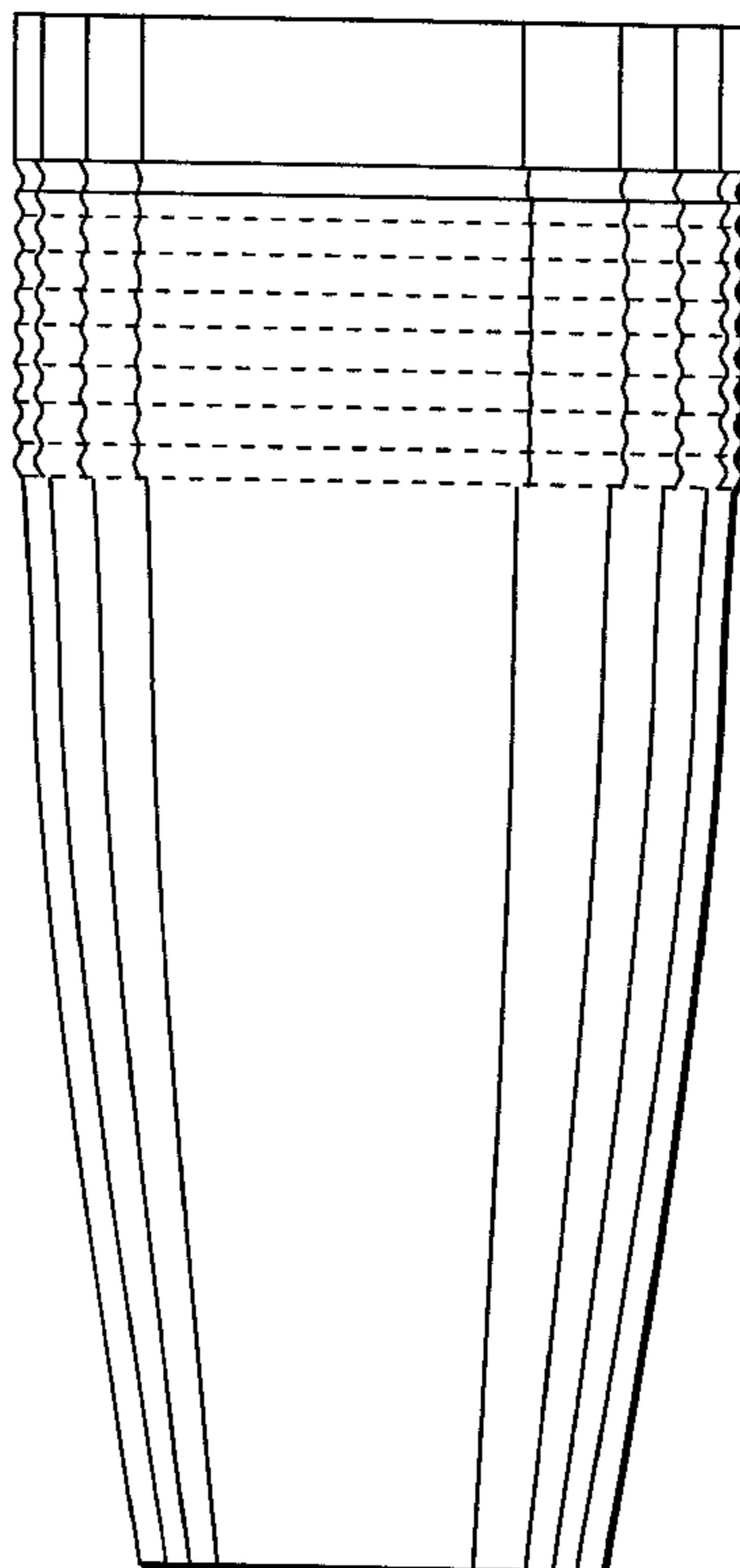
FIG. 1 is a perspective view of a condiment dispenser nozzle showing my new design, the broken lines are for illustrative purposes only and form no part of the claimed design;

FIG. 2 is a front elevation view thereof;

FIG. 3 is a rear elevation view thereof; and,

FIG. 4 is a side elevation view thereof, the remaining sides being a mirror image.

**1 Claim, 2 Drawing Sheets**



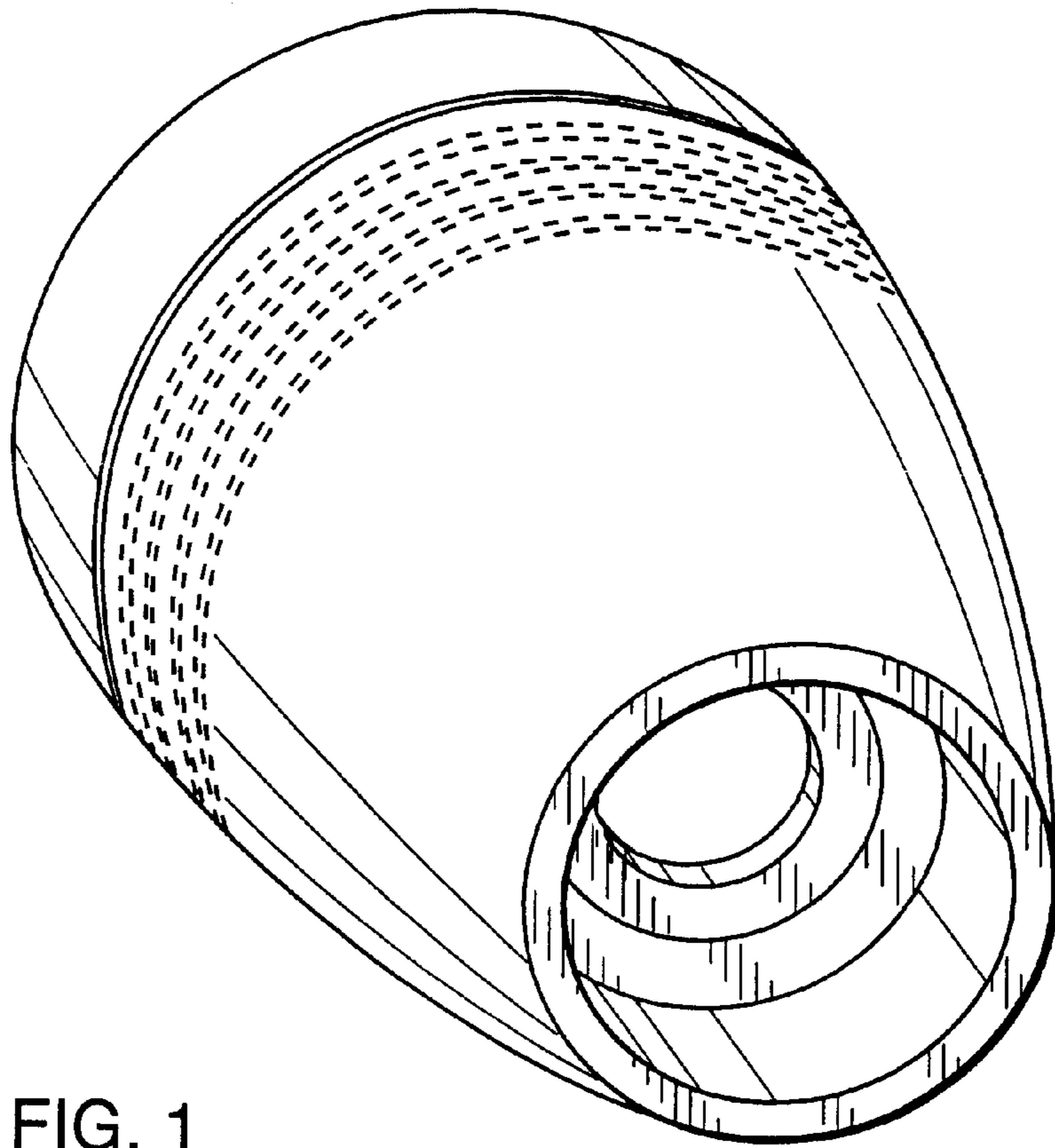


FIG. 1

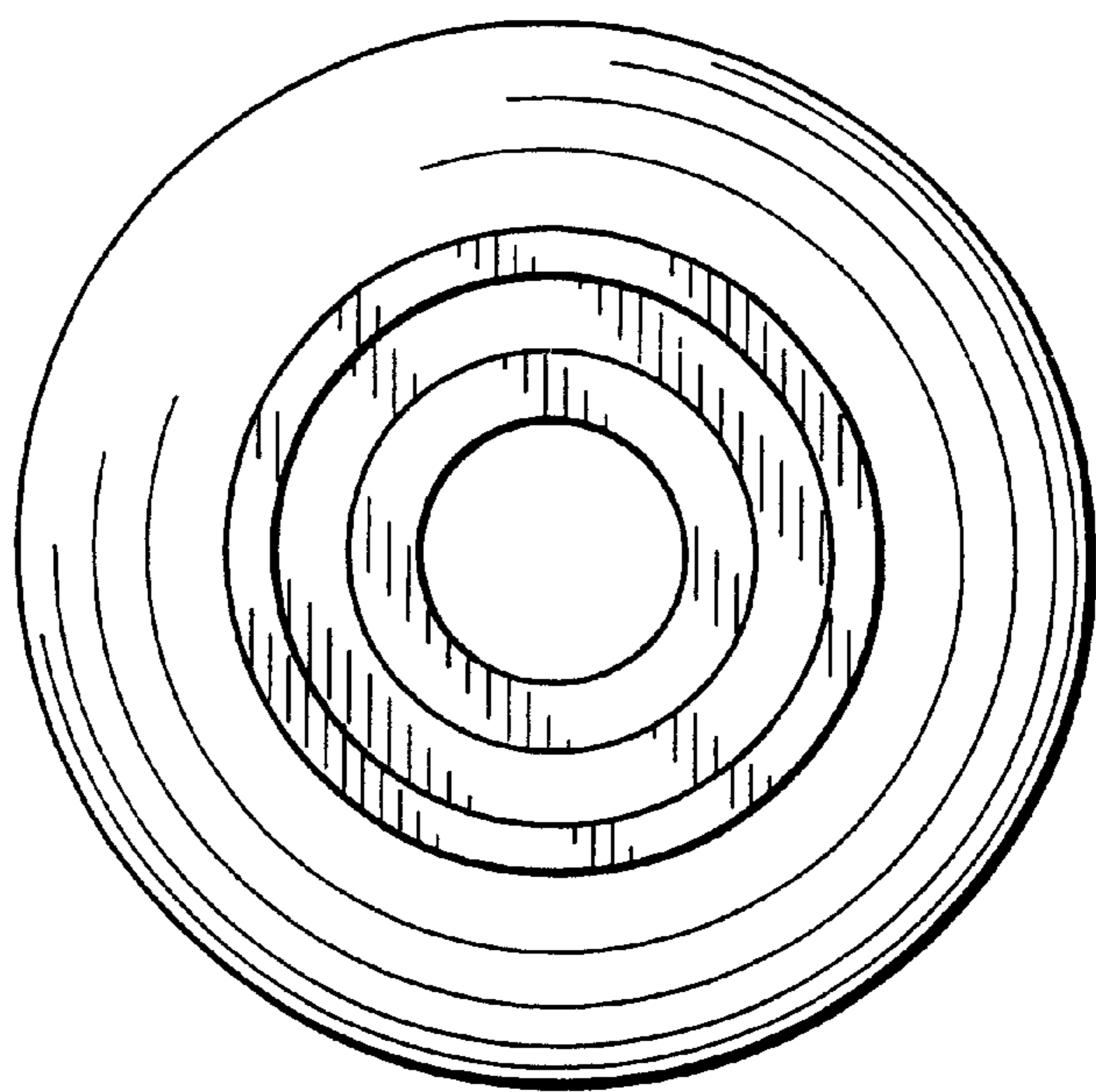


FIG. 2

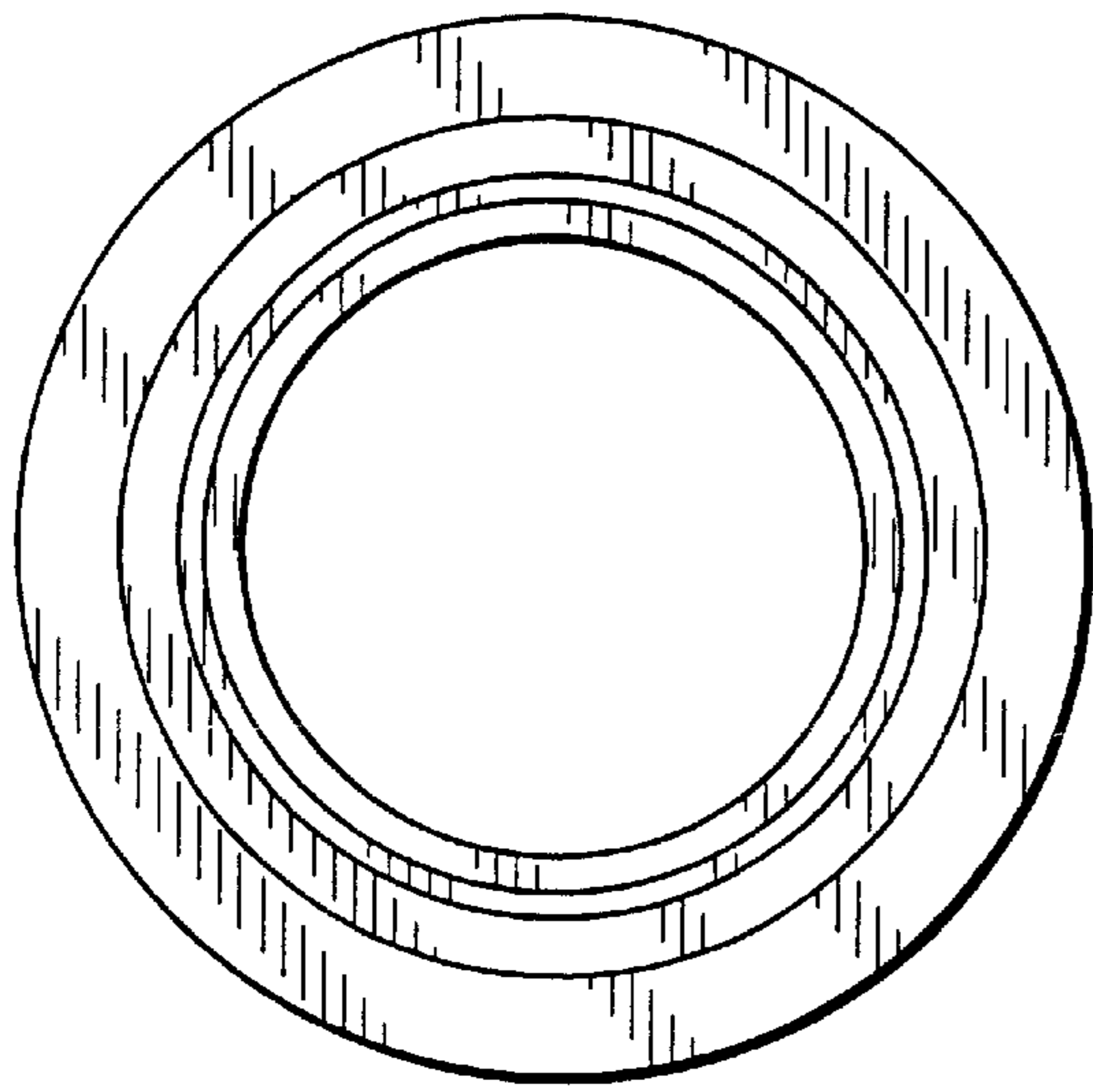


FIG. 3

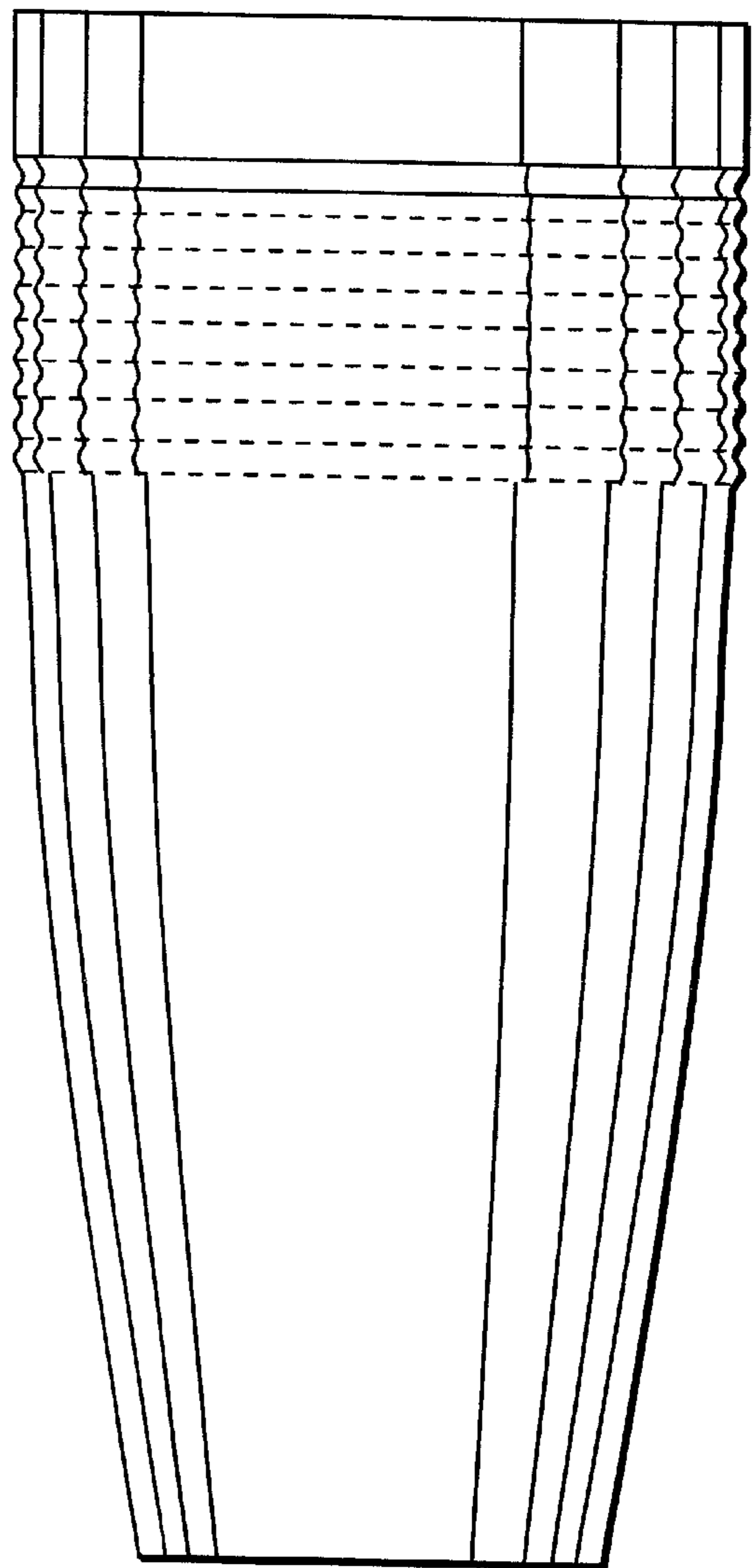


FIG. 4