

US00D459152S

(12) **United States Design Patent**
Fischer et al.

(10) **Patent No.:** **US D459,152 S**
(45) **Date of Patent:** **** Jun. 25, 2002**

(54) **LARGE BREW BASKET**

(75) Inventors: **Rudolph Fischer**, Huntersville; **Ron Hinson**, Concord; **James D. Hinson**, Statesville; **Roland D. Wolfe**, Concord, all of NC (US)

(73) Assignee: **S&D Coffee, Inc.**, Concord, NC (US)

(**) Term: **14 Years**

(21) Appl. No.: **29/119,550**

(22) Filed: **Feb. 29, 2000**

(51) **LOC (7) Cl.** **07-99**

(52) **U.S. Cl.** **D7/400**

(58) **Field of Search** D7/400, 399; 99/323, 99/280, 295, 299, 304, 306; 210/474, 480, 470, 456, 473

(56) **References Cited**

U.S. PATENT DOCUMENTS

3,610,132 A	*	10/1971	Martin et al.	99/295
D225,077 S	*	11/1972	Martin et al.	D7/400
3,719,282 A		3/1973	Schwartz	210/477
3,795,182 A	*	3/1974	Damme	99/306
3,935,112 A	*	1/1976	Greutert	210/456
4,149,454 A	*	4/1979	Kemp	99/295
4,280,401 A	*	7/1981	Cleland	99/295
D288,057 S		2/1987	Webster	D7/400
4,642,190 A	*	2/1987	Zimmerman	210/464
4,739,697 A	*	4/1988	Roberts	99/295
4,794,853 A		1/1989	Weber	99/295
4,825,757 A		5/1989	Stoner	99/279
4,832,845 A	*	5/1989	Hendretti	210/470
4,859,348 A		8/1989	Jusaitis et al.	210/799
4,865,737 A		9/1989	McMichael	210/477
5,036,755 A		8/1991	Abdenour	99/306
5,064,533 A		11/1991	Anson	210/232
D322,735 S		12/1991	Morton	D7/400
D341,286 S		11/1993	Grykiewicz et al.	D7/400
RE34,473 E		12/1993	Ryan et al.	99/307
D341,992 S		12/1993	Gasser	D7/400
5,287,797 A		2/1994	Grykiewicz et al.	99/295
5,290,444 A	*	3/1994	Campbell	210/473
5,309,820 A		5/1994	Baxter et al.	D7/400 X
5,347,916 A	*	9/1994	Fond et al.	99/295
5,515,771 A		5/1996	Smit	99/280

5,555,791 A	*	9/1996	McNeill et al.	99/296
5,669,287 A		9/1997	Jefferson, Jr. et al.	99/299
5,687,636 A		11/1997	Diore et al.	99/285
D389,697 S	*	1/1998	Smit	D7/400
5,725,765 A		3/1998	Shen	210/238
5,736,042 A		4/1998	Aoki	210/474
5,778,764 A		7/1998	Nielsen	99/285
5,813,319 A		9/1998	Lee	99/299
5,826,493 A		10/1998	Tien Lin	99/306
5,870,943 A		2/1999	Levi et al.	99/287
D423,284 S	*	4/2000	Fischer	D7/400
D442,430 S	*	5/2001	Pope	D7/400
6,260,476 B1	*	7/2001	Pope	99/323

OTHER PUBLICATIONS

Photographs of a plastic brew basket, Bunn-o-matic Corp.
 Photographs of a plastic brew basket, Bunn-o-matic Corp.
 Photographs of a plastic brew basket, Bunn-o-matic Corp.
 Photographs of a metal brew basket, Bloomfield.
 Photographs of a metal brew basket, Bunn-o-matic Corp.
 Photographs of a metal brew basket, Wilbur.
 Photographs of a plastic brew basket, Bunn.
 Mechanical drawings of a stainless steel basket, Bunn-o-matic Corp., Jun. 18, 1998.

* cited by examiner

Primary Examiner—M. N. Pandozzi
(74) *Attorney, Agent, or Firm*—Womble Carlyle Sandridge & Rice, PLLC

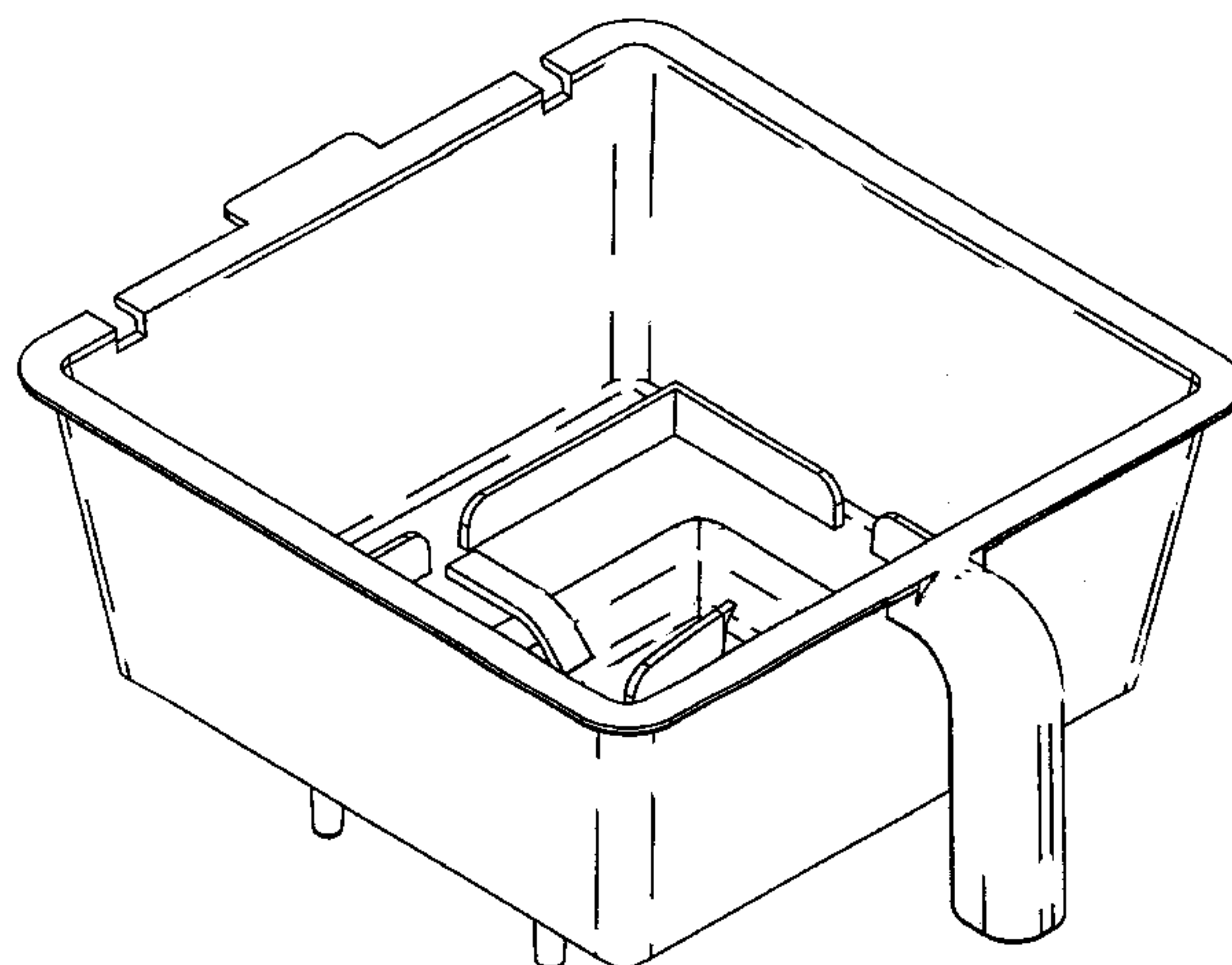
(57) **CLAIM**

The ornamental design for a large brew basket, as shown and described.

DESCRIPTION

FIG. 1 is a top left front perspective view of a large brew basket showing our new design;
 FIG. 2 is a front elevational view thereof; and
 FIG. 3 is a rear elevational view thereof;
 FIG. 4 is a left side elevational view, the opposite side being a mirror image thereof;
 FIG. 5 is a bottom view thereof;
 FIG. 6 is a top view thereof; and,
 FIG. 7 is a cross-sectional view thereof taken along line 7—7 in FIG. 6.

1 Claim, 4 Drawing Sheets



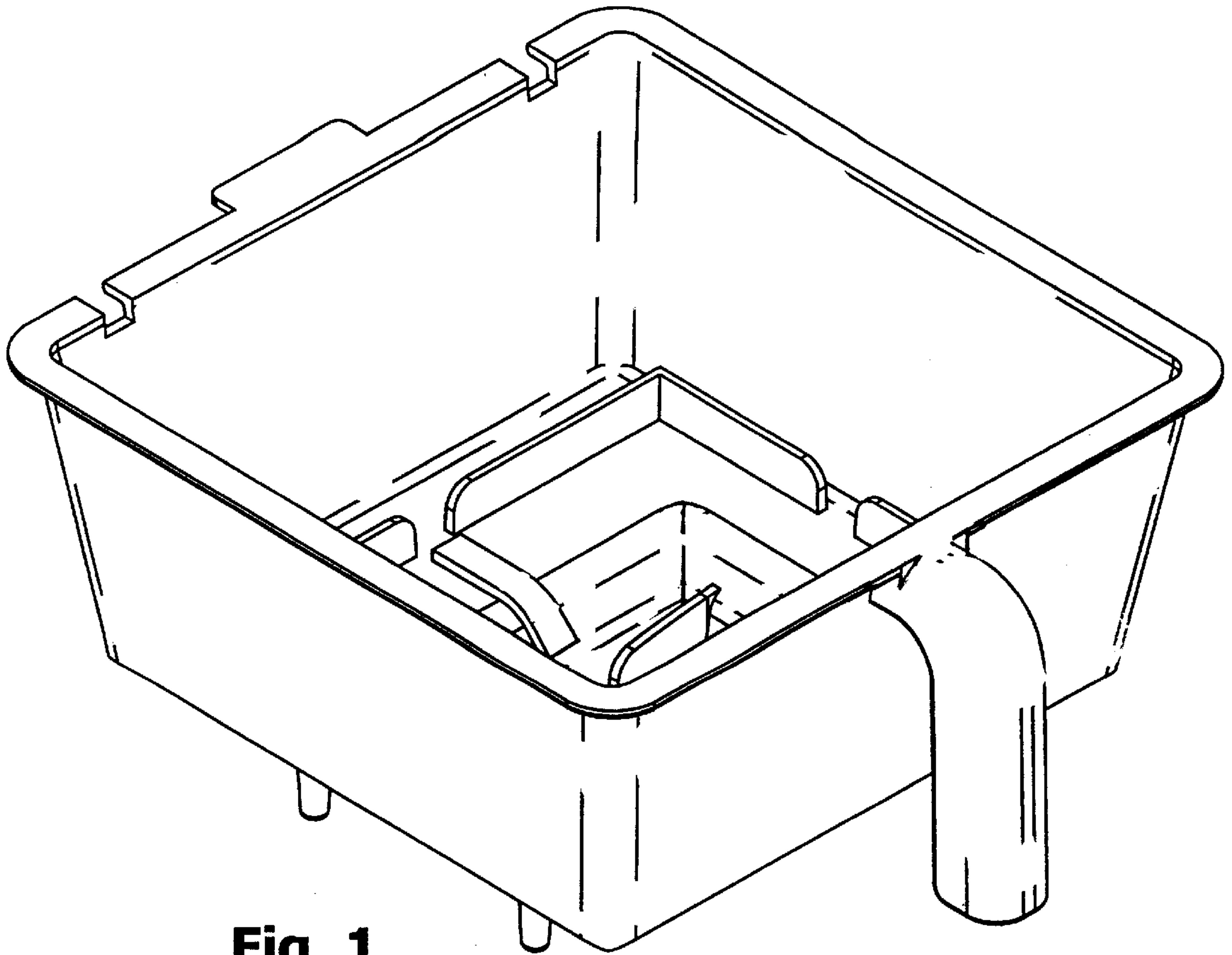
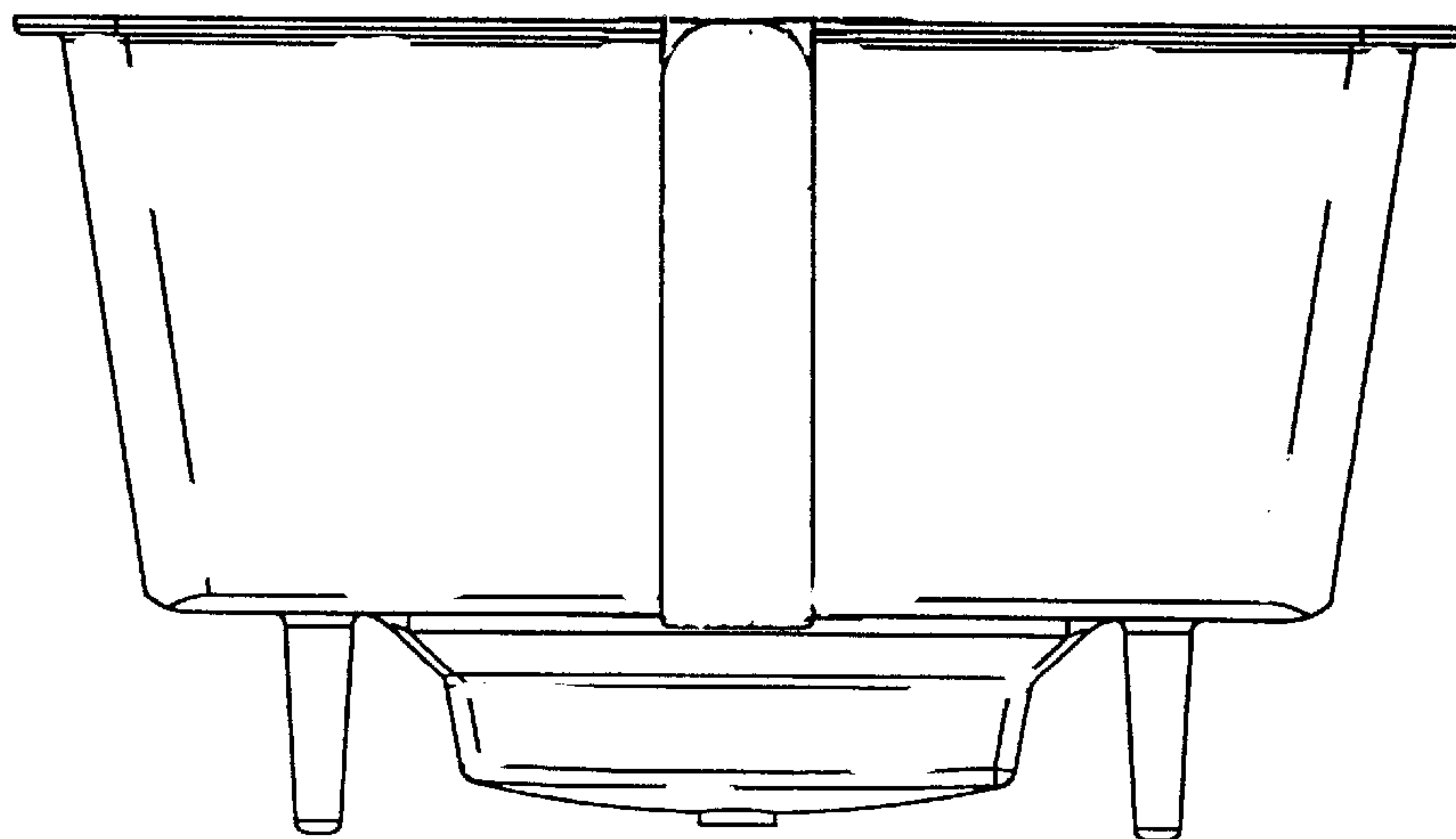


Fig. 1

Fig. 2



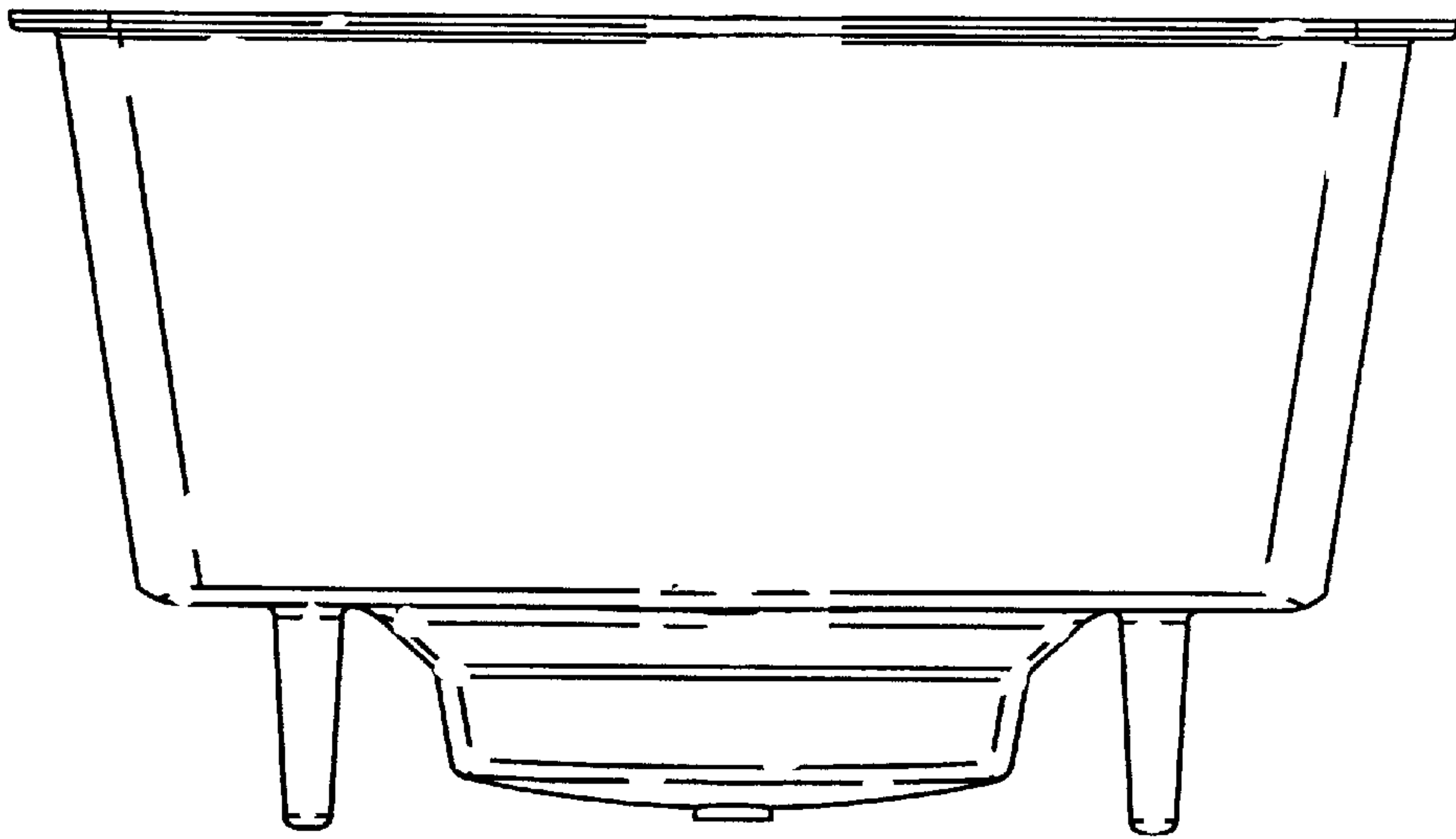


Fig. 3

Fig. 4

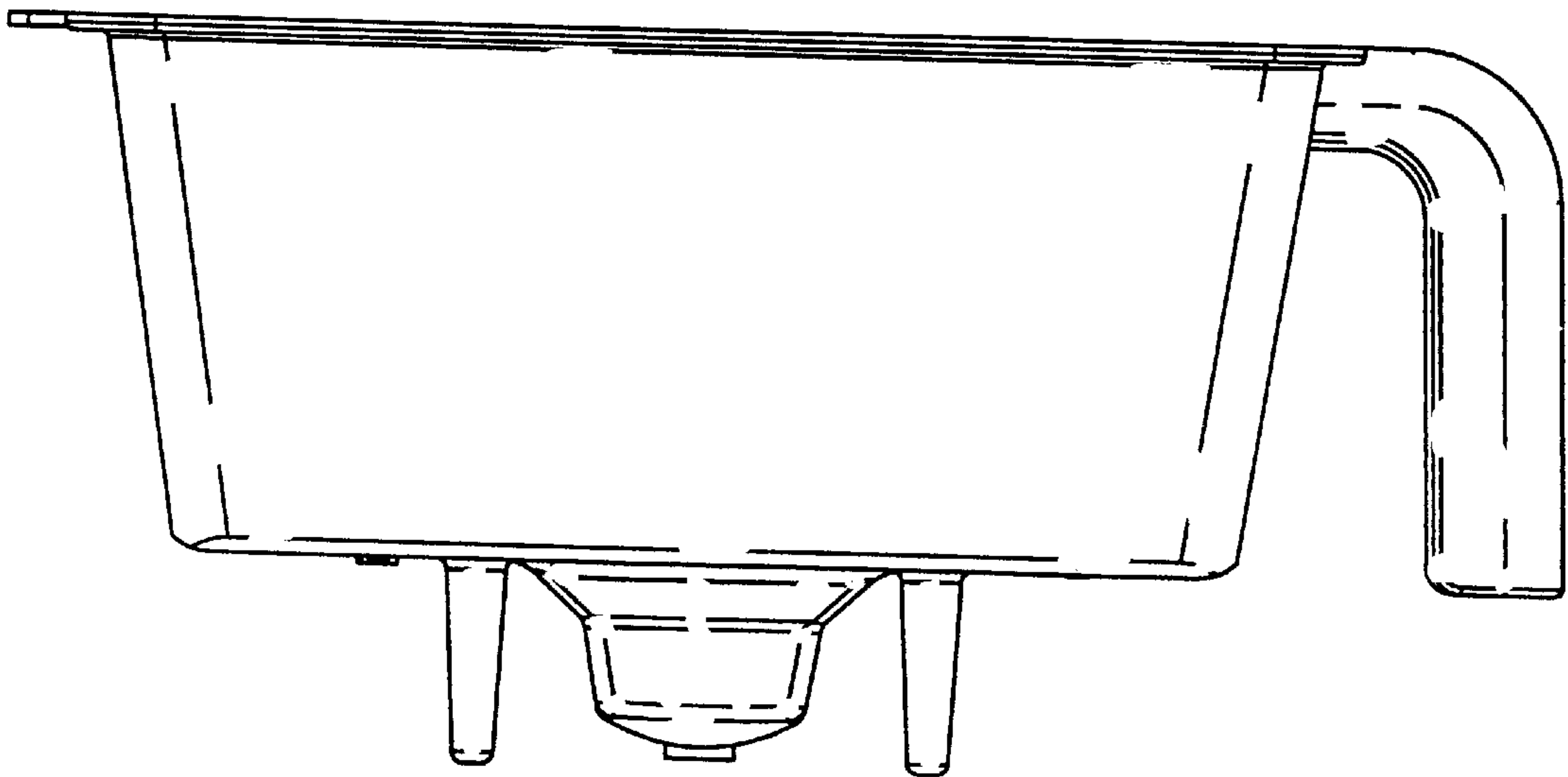
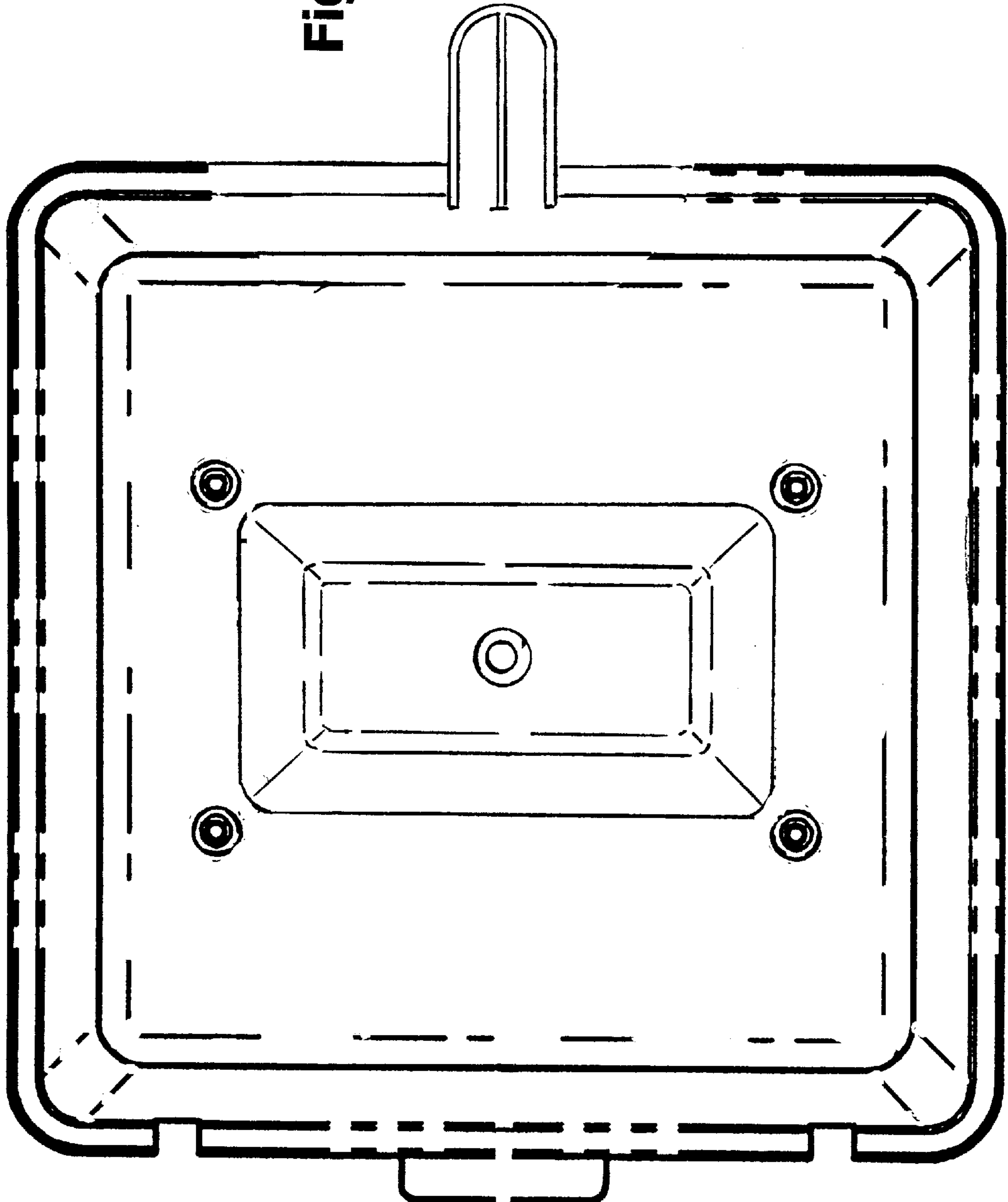


Fig. 5



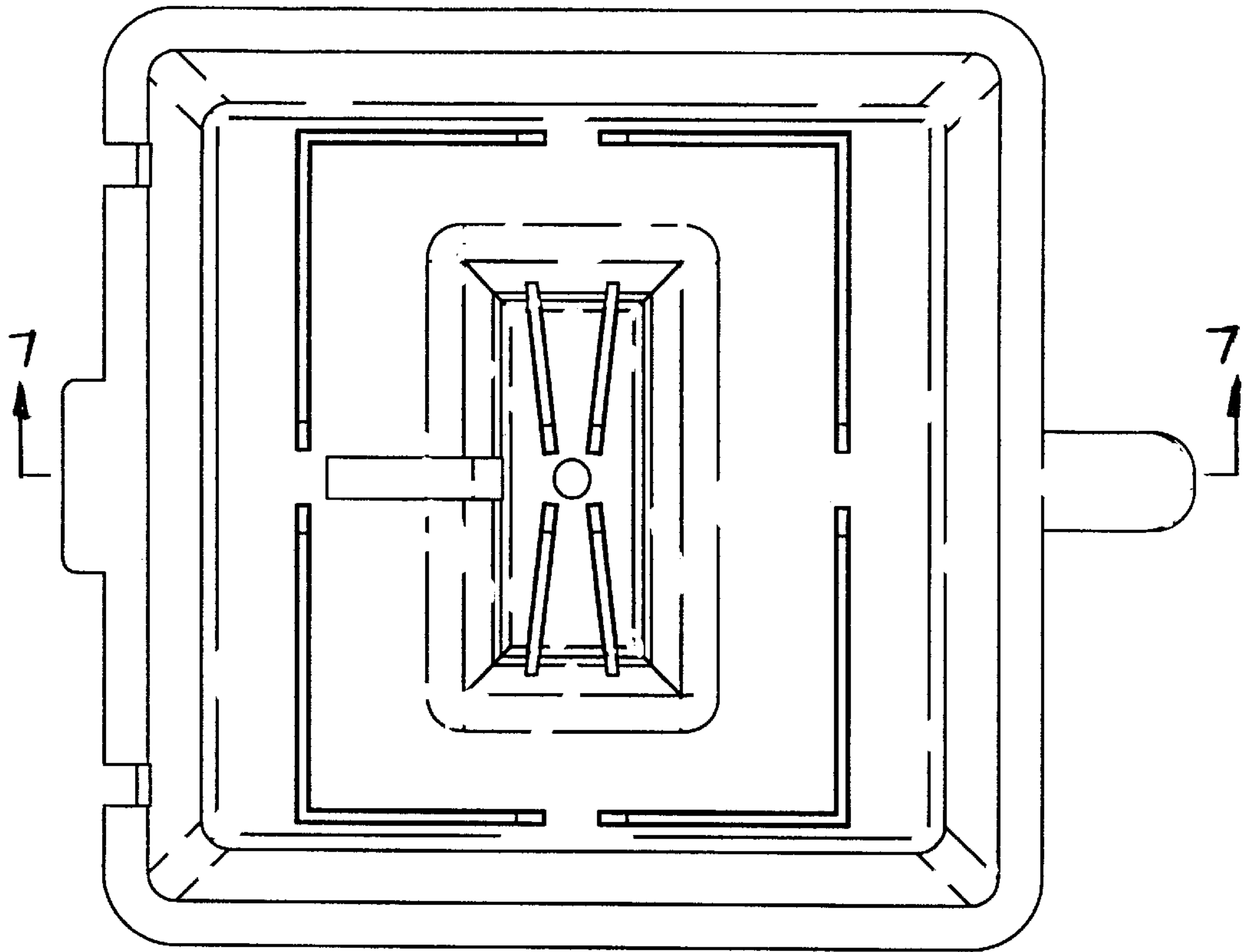


Fig. 6

Fig. 7

