



US00D459149S

(12) **United States Design Patent**  
**Richied et al.**

(10) **Patent No.:** **US D459,149 S**  
(45) **Date of Patent:** **\*\* Jun. 25, 2002**

(54) **HANDLE FOR COOKING UTENSILS WITH RAISED CONTOURS**

D424,869 S \* 5/2000 Chau ..... D7/395  
D447,385 S \* 9/2001 Saunders et al. .... D7/395

(75) Inventors: **Ken Richied**, Middletown; **Mike Rowe**, Dayton, both of OH (US); **Andrew Kahler**, Fortson, GA (US); **Alan Cummins**, Opelika, AL (US)

\* cited by examiner

*Primary Examiner*—Terry A. Wallace  
(74) *Attorney, Agent, or Firm*—James W. Kayden; Thomas, Kayden, Horstemeyer & Risley

(73) Assignee: **W. C. Bradley Company**, Columbus, GA (US)

(57) **CLAIM**

(\*\*) Term: **14 Years**

The ornamental design of handle for cooking utensils with raised contours, as shown and described.

(21) Appl. No.: **29/142,714**

**DESCRIPTION**

(22) Filed: **May 31, 2001**

FIG. 1 is a perspective view showing our new handle for cooking utensils with raised contours;  
FIG. 2 is a right side elevational view thereof, the left side being a mirror image thereof;  
FIG. 3 is a top plan view thereof;  
FIG. 4 is a bottom plan view thereof;  
FIG. 5 is a front elevational view thereof; and,  
FIG. 6 is a rear elevational view thereof.  
The broken lines are for illustrative purposes only and form no part of the claimed design.

(51) **LOC (7) Cl.** ..... **07-02**

(52) **U.S. Cl.** ..... **D7/395**

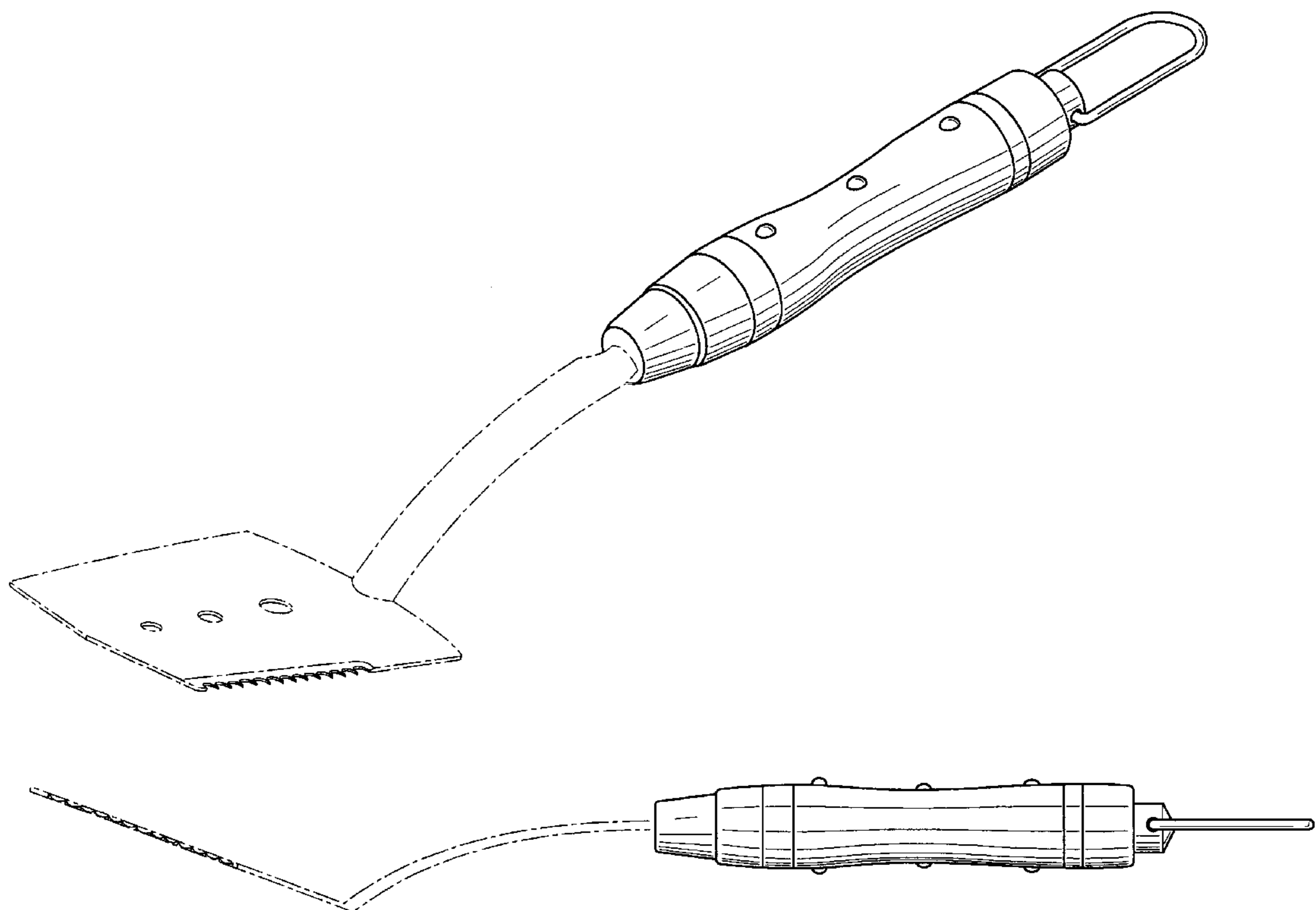
(58) **Field of Search** ..... D7/393-395, 401.2, D7/683-696; D8/107; 16/110.1, 430, 431, 444; 294/7, 8; 30/322, 323

(56) **References Cited**

**U.S. PATENT DOCUMENTS**

D312,561 S \* 12/1990 Skerker et al. .... D7/696

**1 Claim, 2 Drawing Sheets**



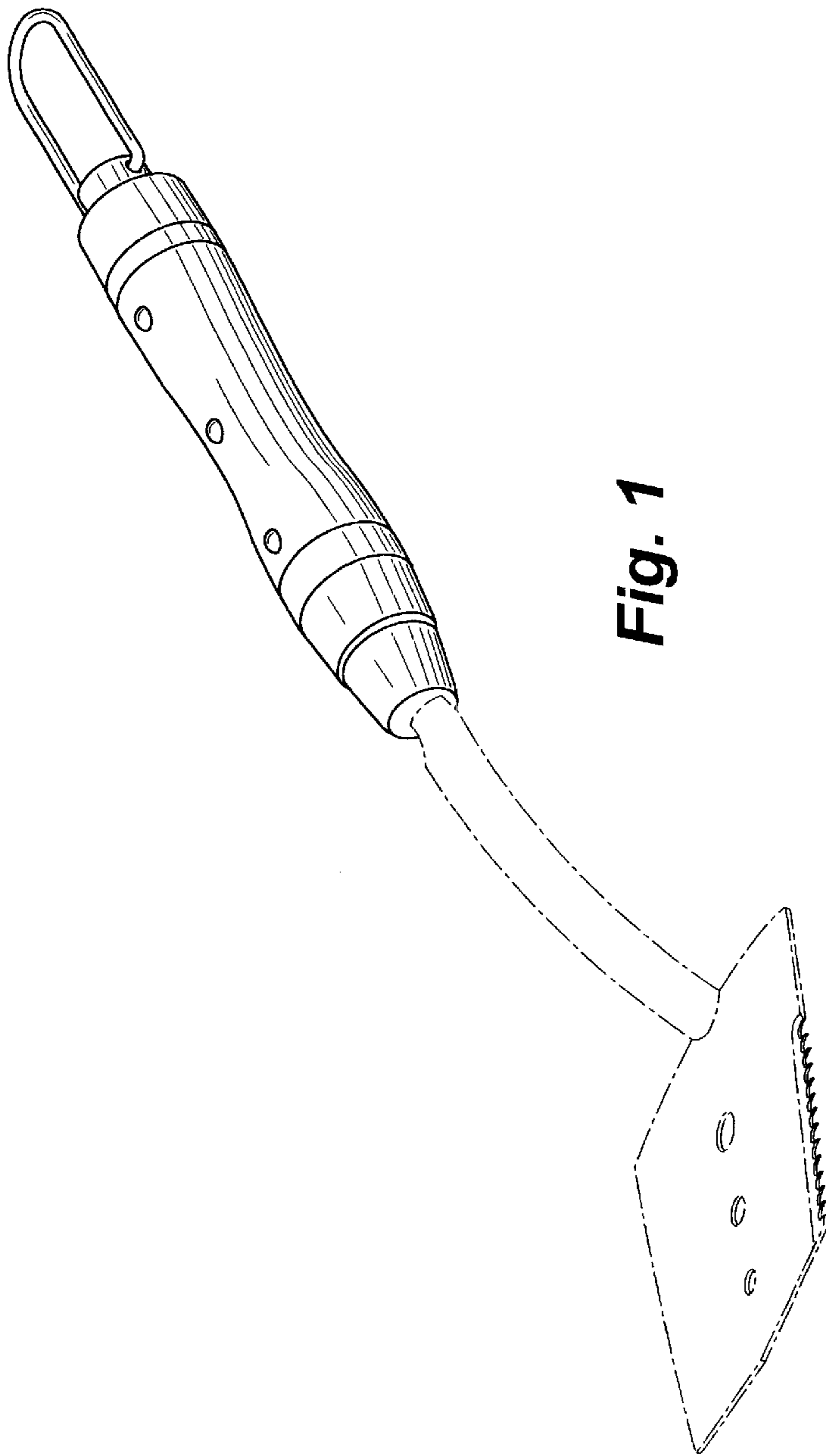


Fig. 1

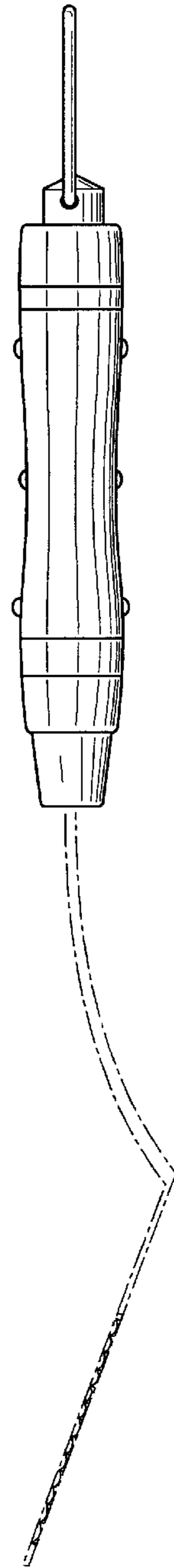
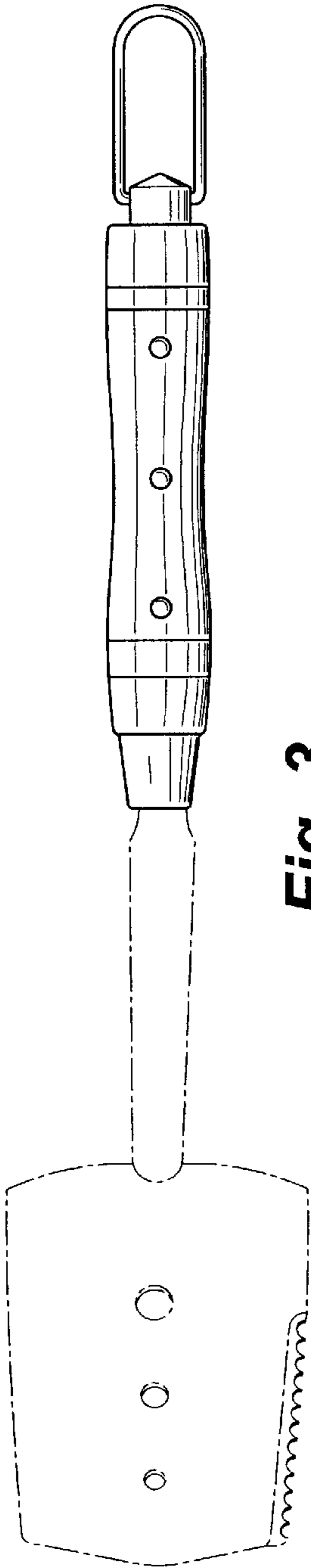
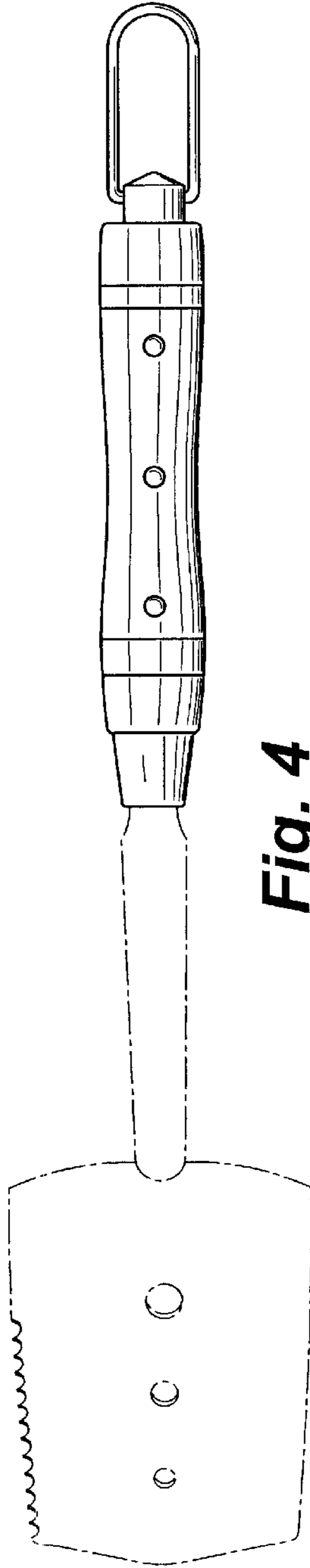


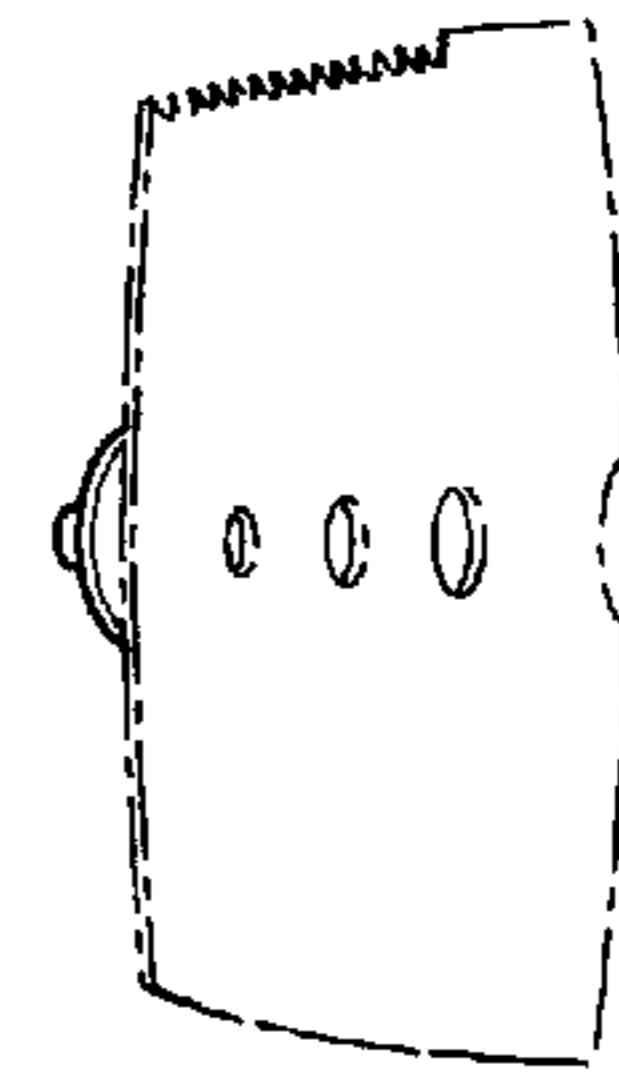
Fig. 2



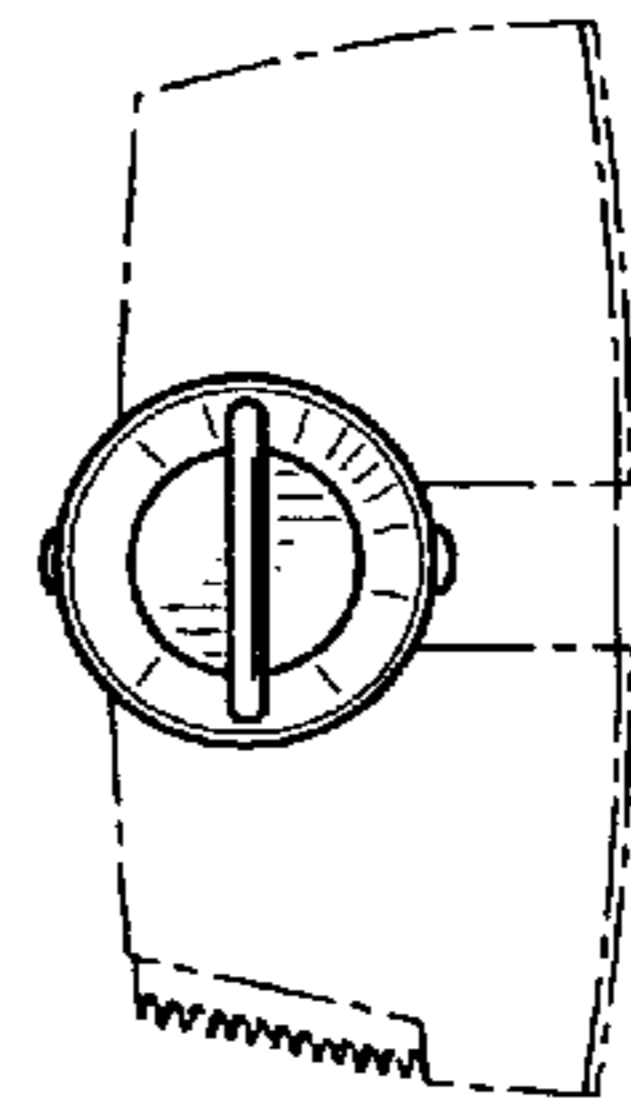
**Fig. 3**



**Fig. 4**



**Fig. 5**



**Fig. 6**