



US00D459143S

(12) **United States Design Patent**  
**Pasternak**

(10) **Patent No.:** **US D459,143 S**

(45) **Date of Patent:** **\*\* Jun. 25, 2002**

(54) **SHISH-KABOB COOKER**

(76) **Inventor:** **Igor Pasternak**, 44 Queenston St Apt  
5, St Catharines, Ontario (CA), L2R  
2Y9

(\*\*) **Term:** **14 Years**

(21) **Appl. No.:** **29/145,034**

(22) **Filed:** **Jul. 13, 2001**

(51) **LOC (7) Cl.** ..... **07-02**

(52) **U.S. Cl.** ..... **D7/338**

(58) **Field of Search** ..... D7/331, 332, 337-338,  
D7/402, 409, 350.1, 350.3, 350.4; 126/25 R;  
99/419, 421 R, 421 V, 443 R, 448; 219/388,  
386, 405

(56) **References Cited**

**U.S. PATENT DOCUMENTS**

D198,962 S	*	8/1964	Wickenberg	.....	D7/360
3,221,638 A	*	12/1965	Wickenberg	.....	99/340
D262,709 S		1/1982	Williams et al.		
4,324,174 A		4/1982	Conradt		
4,483,241 A		11/1984	Vaughn		
5,001,971 A		3/1991	Beller		
5,377,582 A		1/1995	Nersesian		
5,539,184 A	*	7/1996	Su	.....	219/388

D375,654 S	*	11/1996	Ferris	.....	D7/392.1
5,575,196 A	*	11/1996	Masel et al.	.....	99/421 V
5,665,258 A	*	9/1997	Hsu	.....	219/388
5,709,142 A		1/1998	Nersesian		
5,845,563 A	*	12/1998	Haring et al.	.....	99/419
5,907,994 A	*	6/1999	Dotan	.....	99/332
6,199,473 B1	*	3/2001	Dotan et al.	.....	99/332

\* cited by examiner

*Primary Examiner*—Ruth McInroy

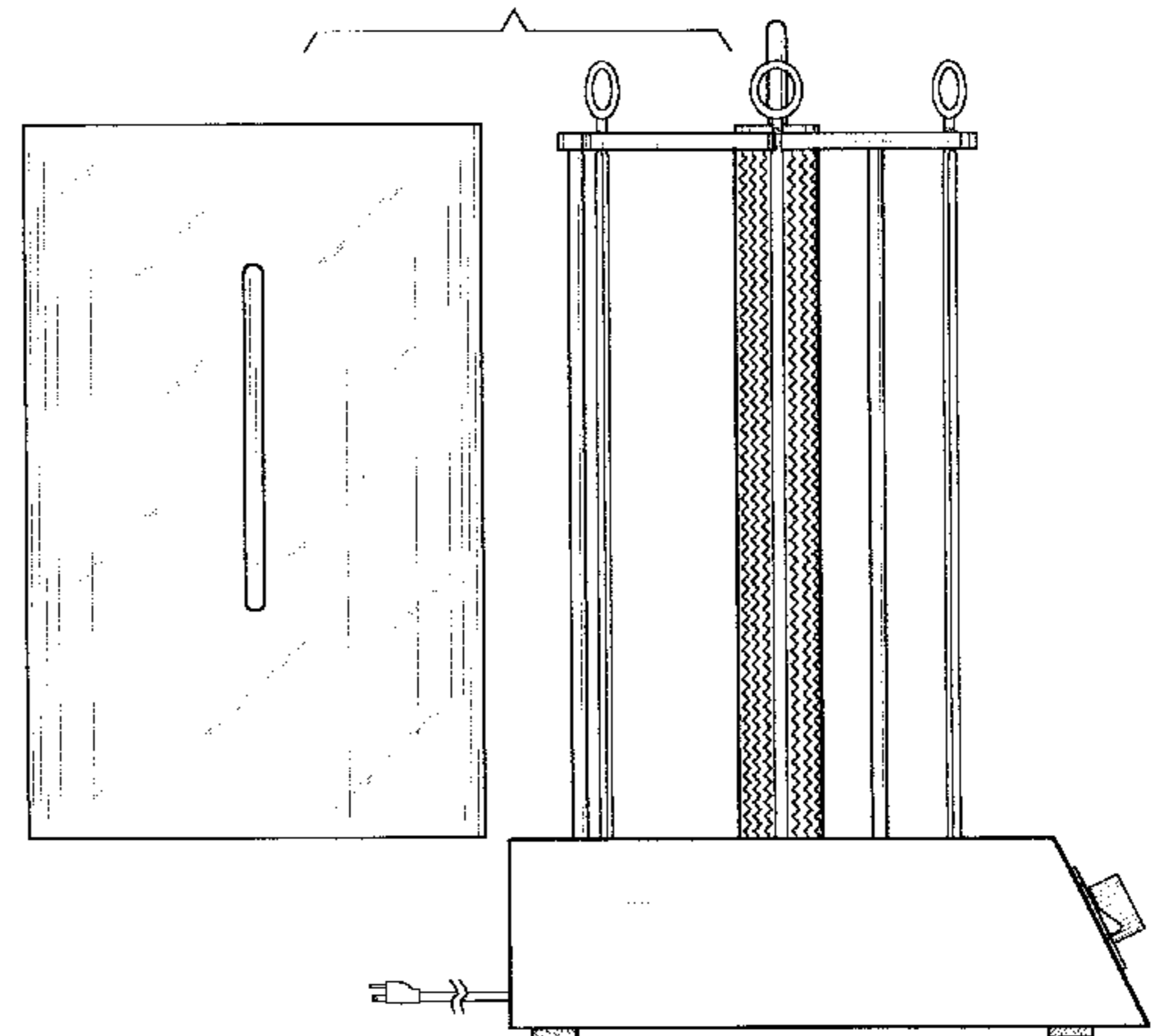
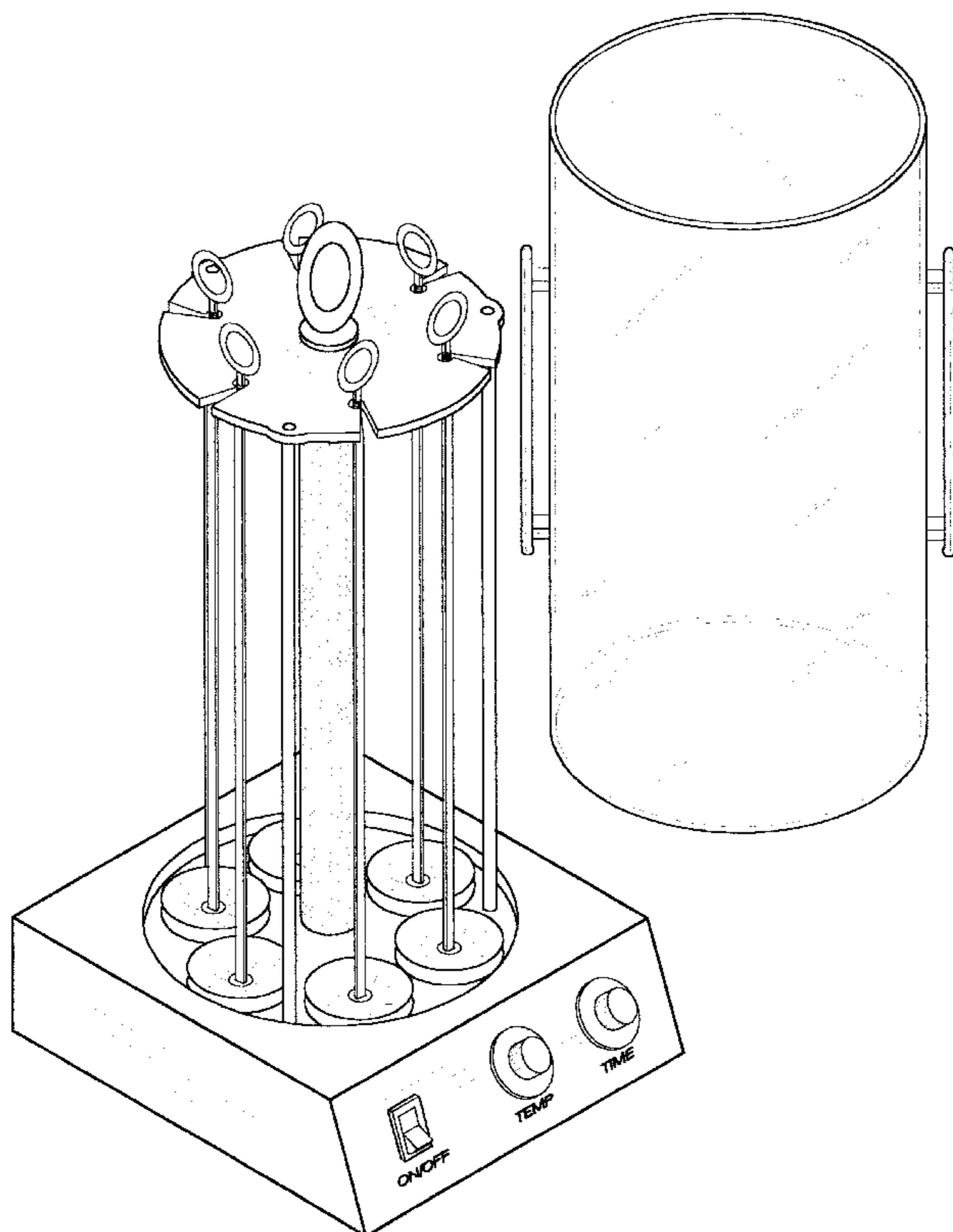
(57) **CLAIM**

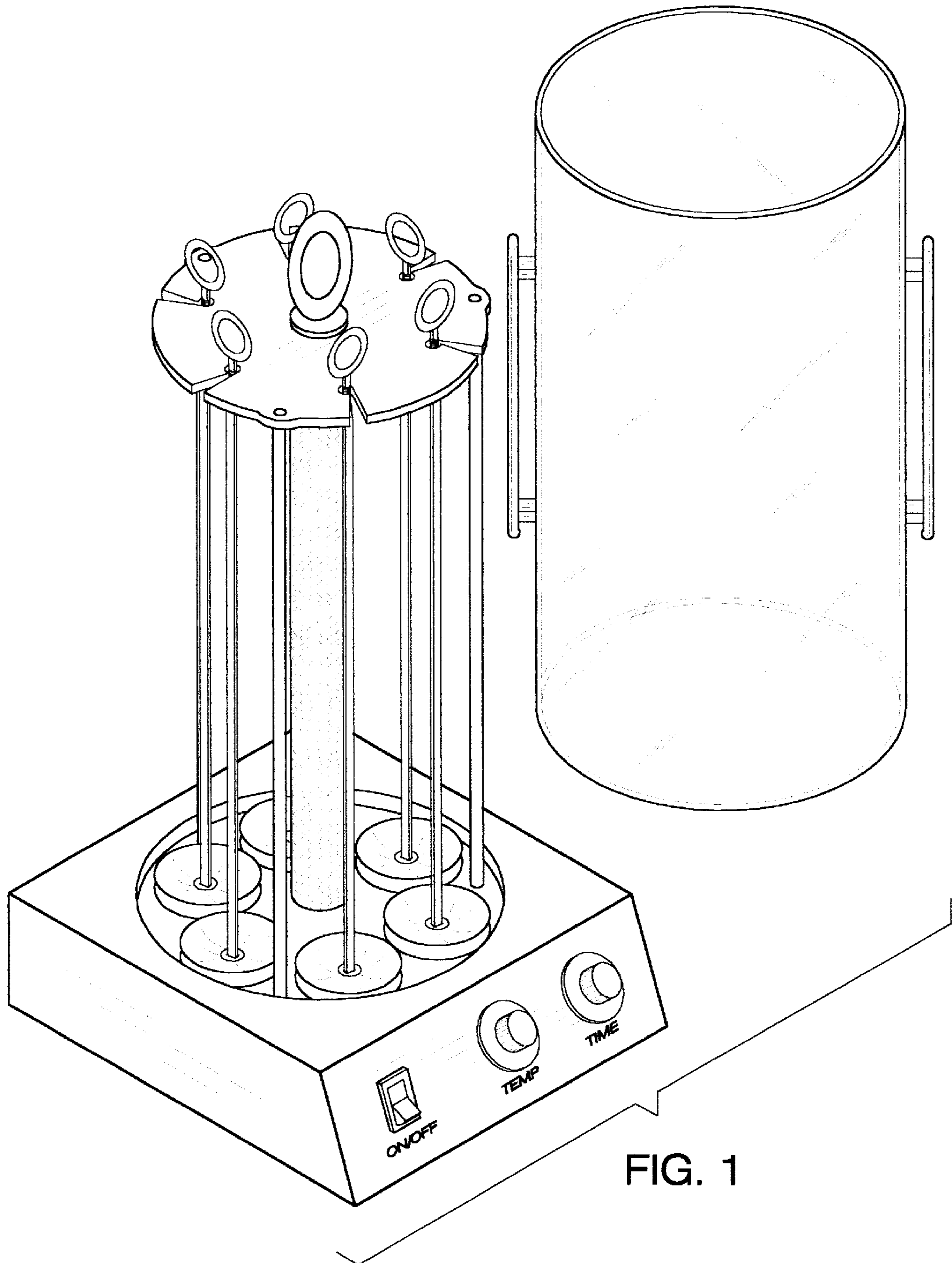
The ornamental design for a shish-kabob cooker, as shown and described.

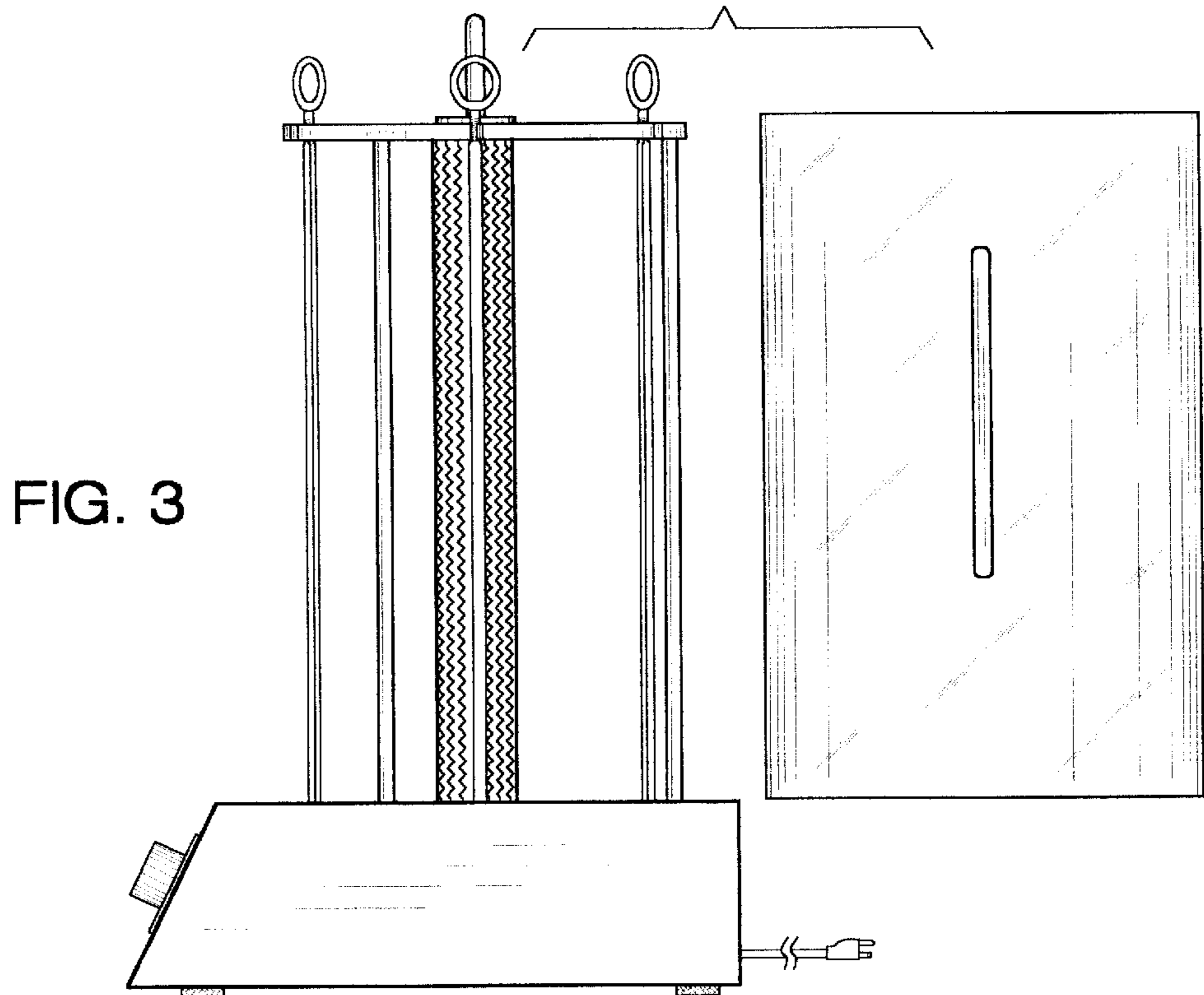
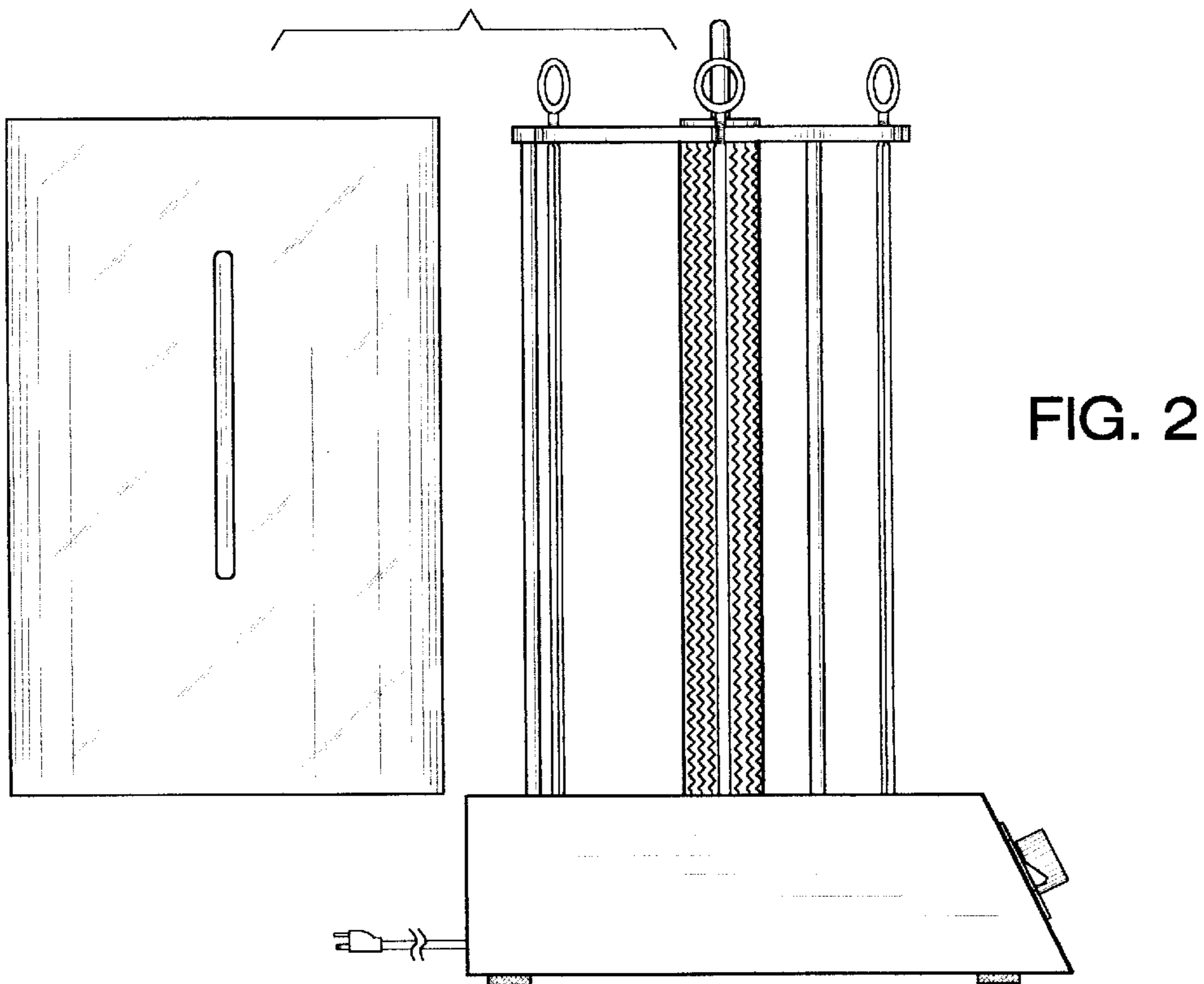
**DESCRIPTION**

FIG. 1 is an exploded top, front and left side perspective view of a shish-kabob cooker showing my new design; FIG. 2 is an exploded left side elevational view thereof; FIG. 3 is an exploded right side elevational view thereof; FIG. 4 is an exploded front elevational view thereof; FIG. 5 is an exploded rear elevational view thereof; FIG. 6 is an exploded top plan view thereof; and, FIG. 7 is an exploded bottom plan view thereof. The electric cord shown broken away in FIGS. 2, 3, 6 and 7 is understood to represent indeterminate length.

**1 Claim, 4 Drawing Sheets**







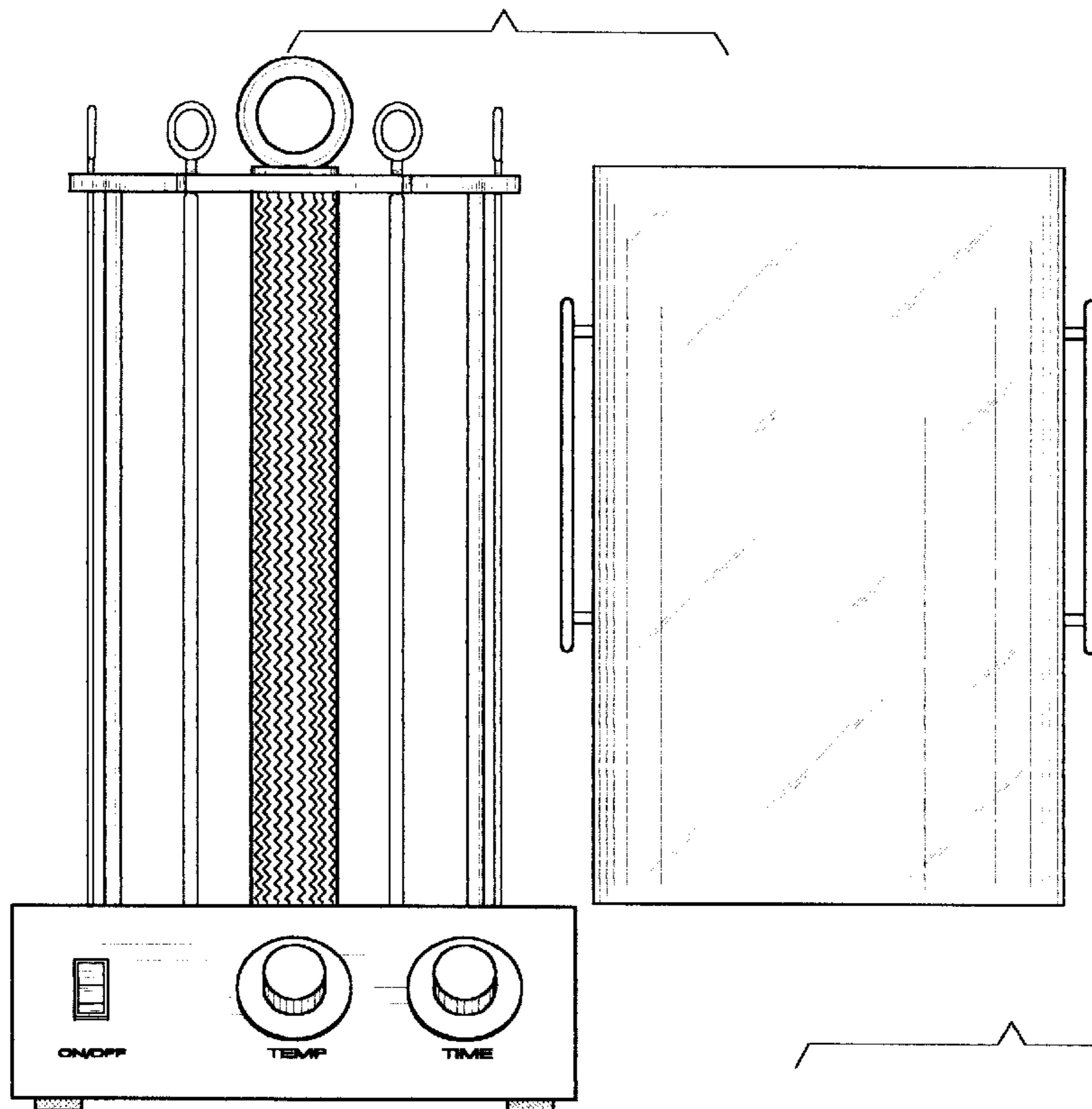


FIG. 4

FIG. 5

