



US00D459142S

(12) **United States Design Patent**
Wu

(10) **Patent No.:** **US D459,142 S**

(45) **Date of Patent:** **** Jun. 25, 2002**

(54) **GRILL**

(75) **Inventor:** **Tsan-Kuen Wu, Tainan Hsien (TW)**

(73) **Assignee:** **Tsann Kuen USA Inc., Pasadena, CA (US)**

(**) **Term:** **14 Years**

(21) **Appl. No.:** **29/146,076**

(22) **Filed:** **Aug. 2, 2001**

(51) **LOC (7) Cl.** **07-02**

(52) **U.S. Cl.** **D7/334**

(58) **Field of Search** D7/332-337, 402-405;
126/25 R, 25 A, 25 AA, 29-30, 33, 38,
41 R; 99/421 H, 419, 427, 449

(56) **References Cited**

U.S. PATENT DOCUMENTS

- D172,797 S * 8/1954 Long D7/334
- 2,787,995 A * 4/1957 Alter 126/25 R
- D322,909 S * 1/1992 Parent et al. D7/334

- D325,316 S * 4/1992 Parent et al. D7/334
- D327,805 S * 7/1992 Parent et al. D7/334
- D351,308 S * 10/1994 Pai D7/334
- D361,466 S * 8/1995 Peterson et al. D7/334

* cited by examiner

Primary Examiner—Ruth McInroy

(74) *Attorney, Agent, or Firm*—Justin B. Rand; Brinks Hofer Gilson & Lione

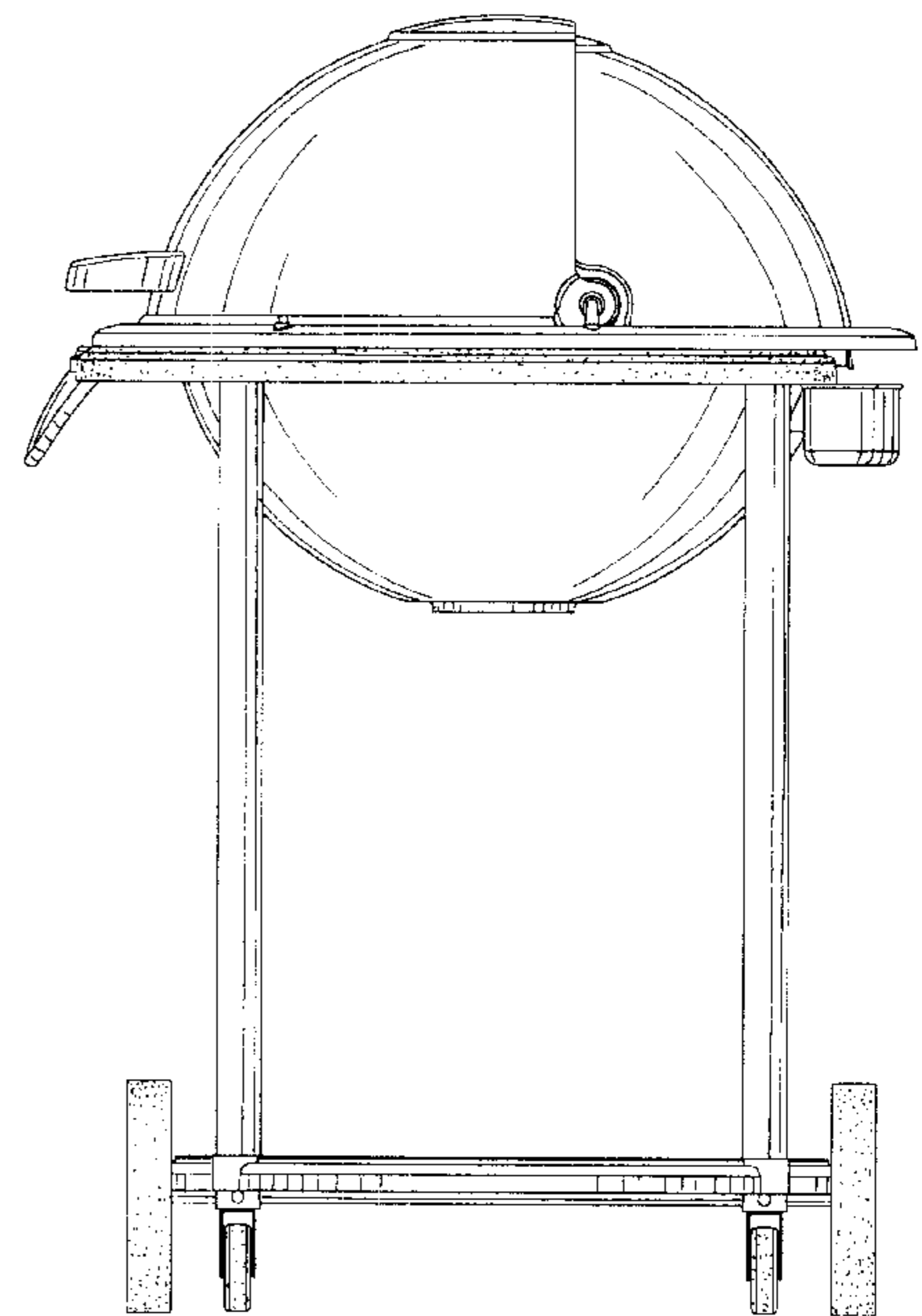
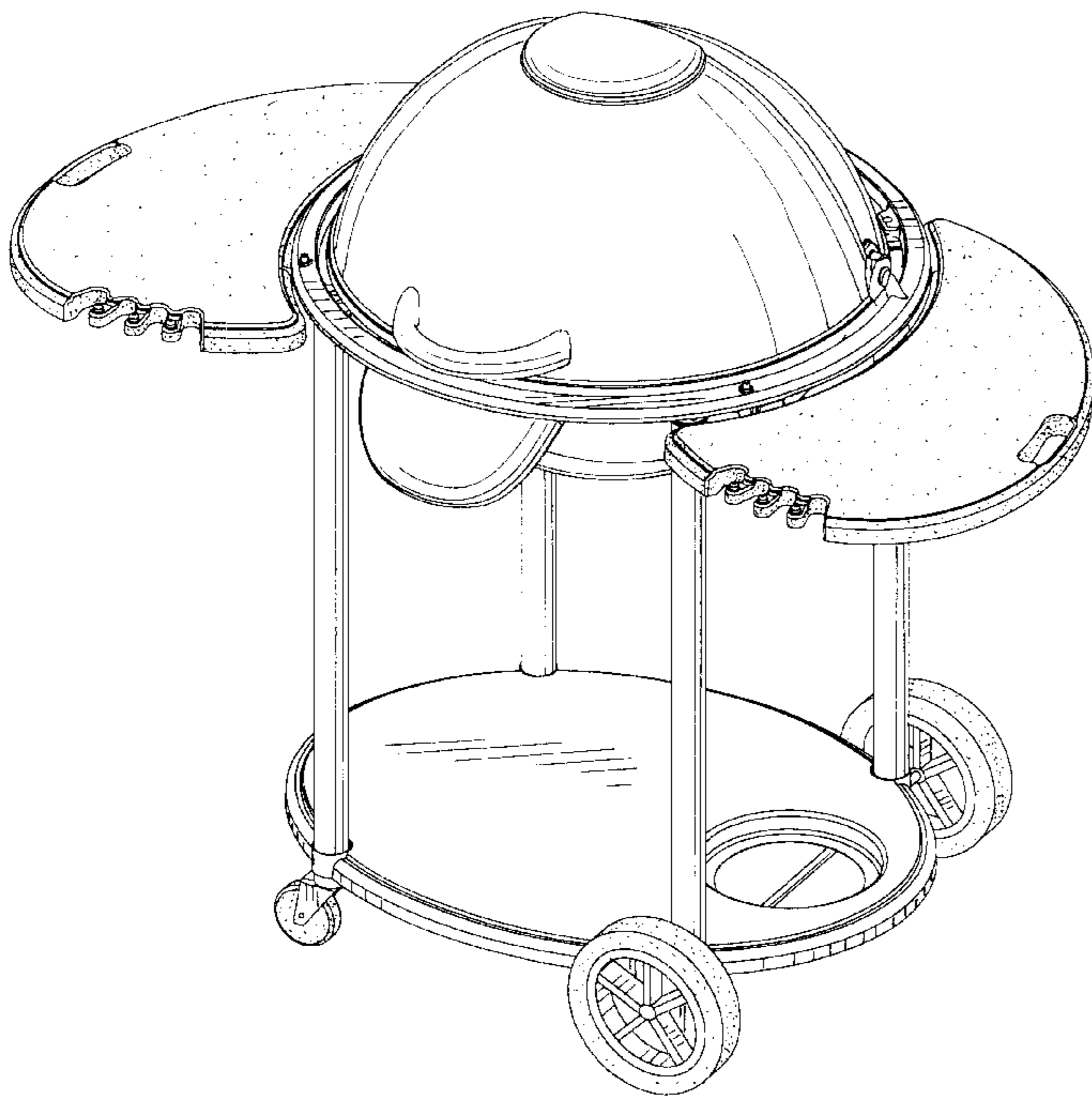
(57) **CLAIM**

The ornamental design for grill, as shown and described.

DESCRIPTION

FIG. 1 is a perspective view of a grill showing my new design;
 FIG. 2 is a front elevational view thereof;
 FIG. 3 is a rear elevational view thereof;
 FIG. 4 is a left side elevational view thereof;
 FIG. 5 is a right side elevational view thereof;
 FIG. 6 is a top plan view thereof; and,
 FIG. 7 is a bottom plan view thereof.

1 Claim, 7 Drawing Sheets



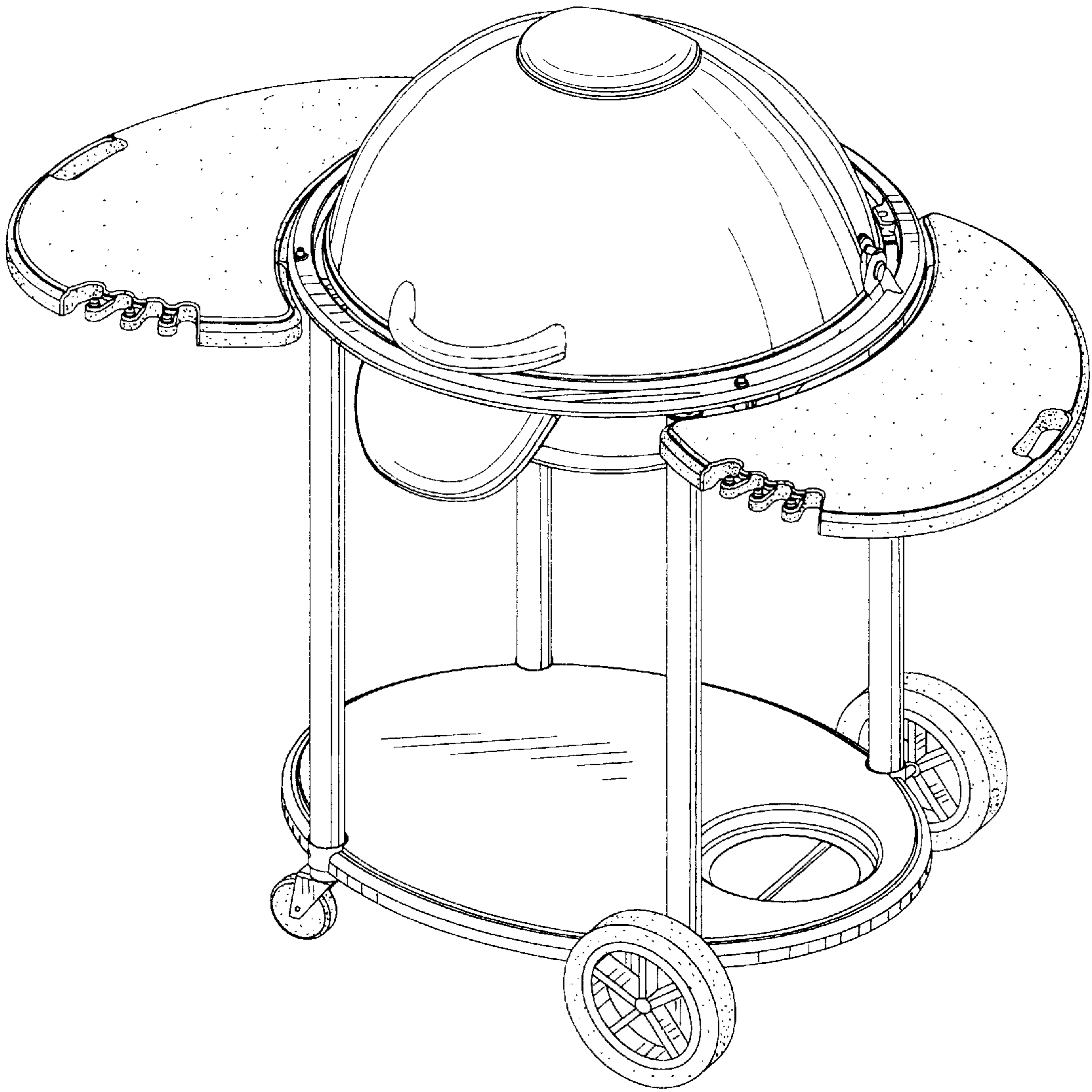


FIG. 1

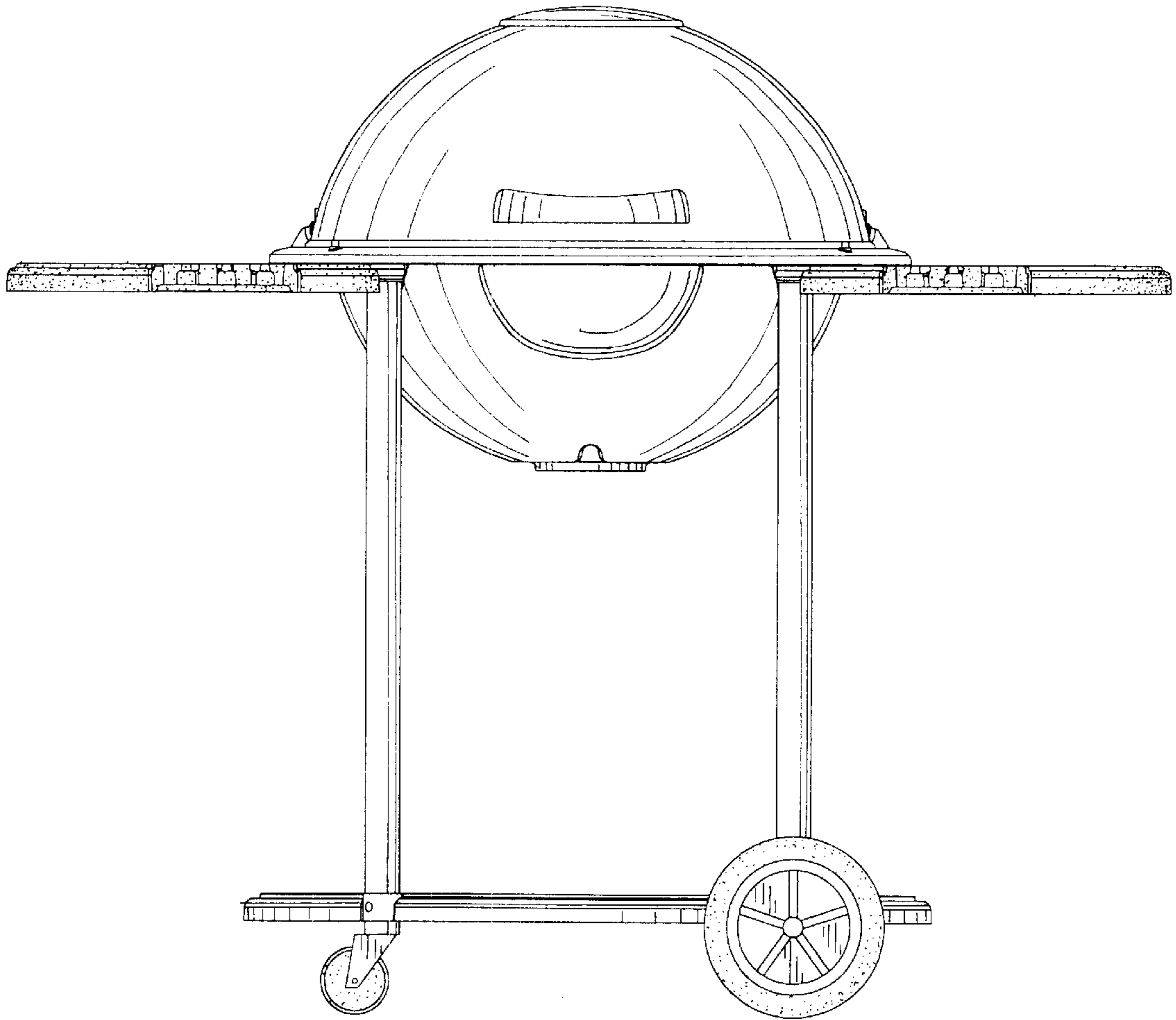


FIG. 2

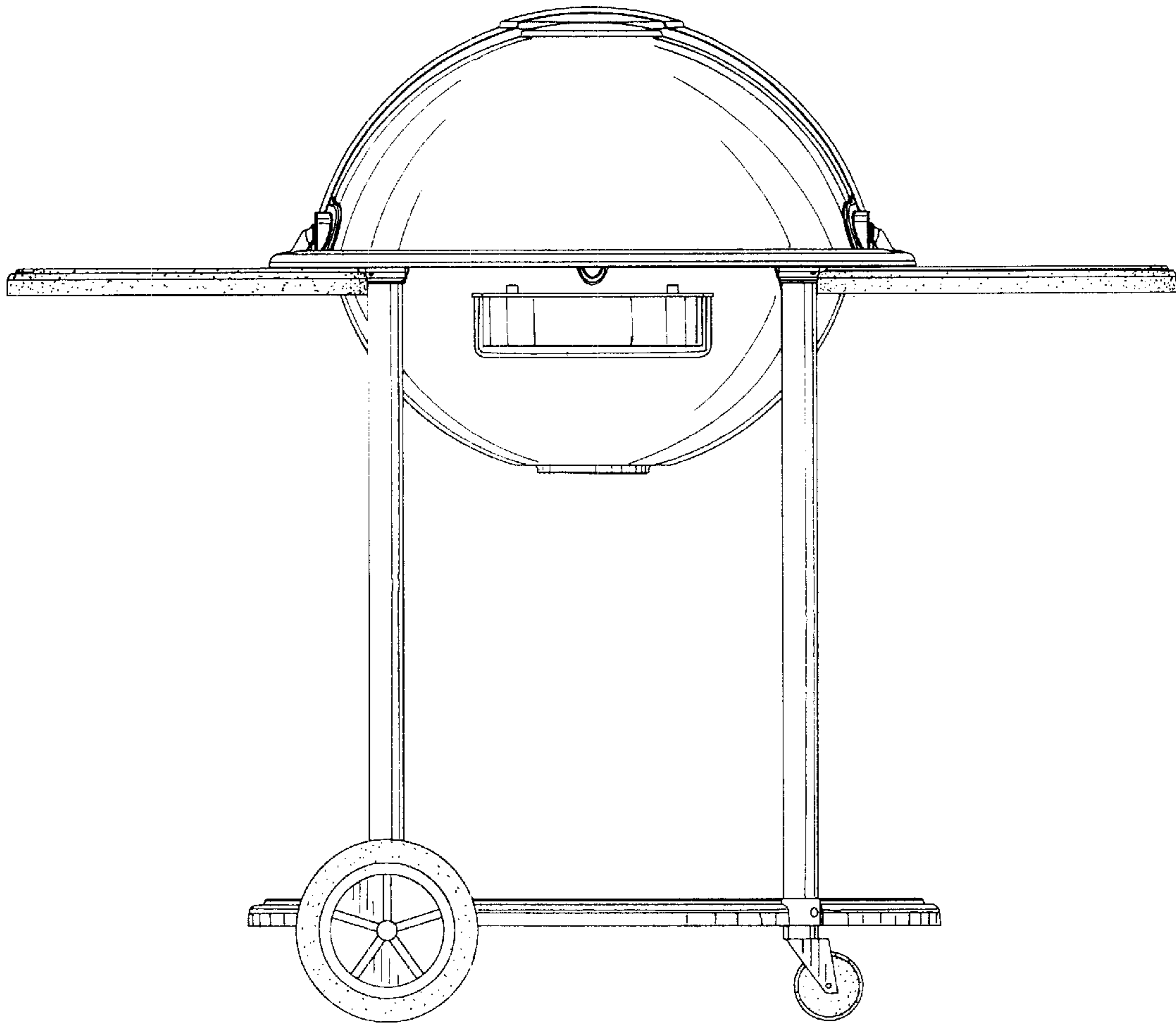


FIG. 3

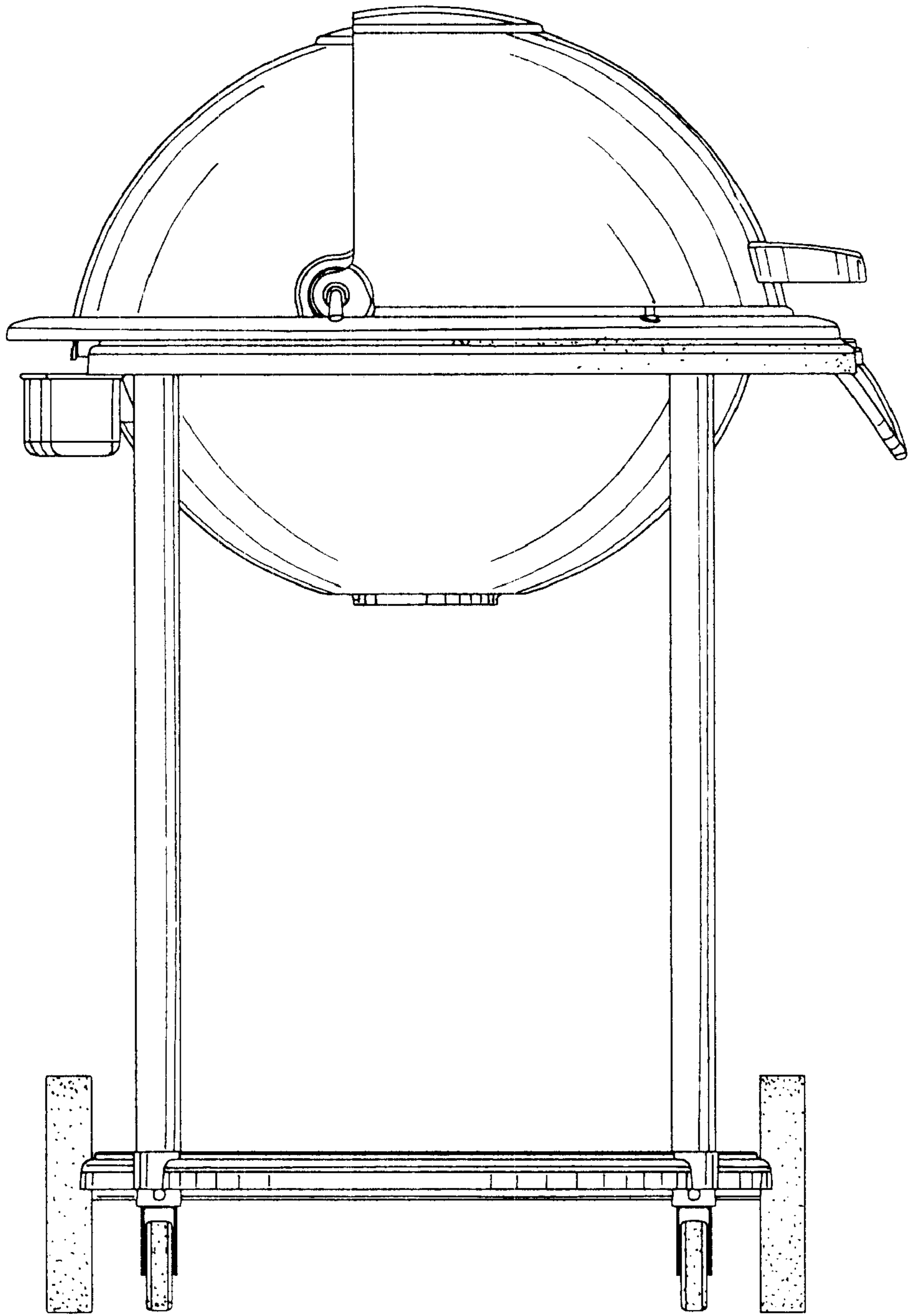


FIG. 4

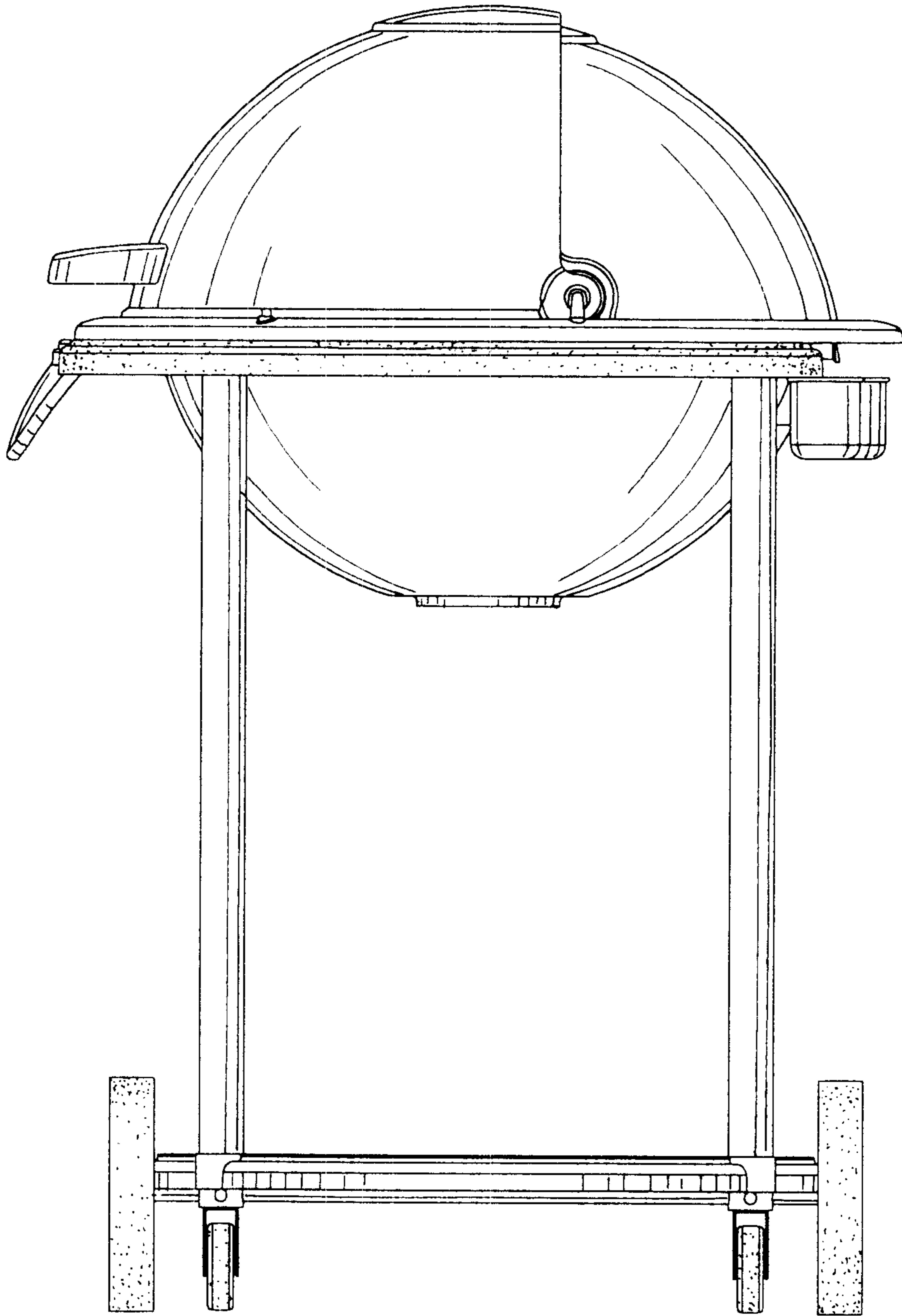


FIG. 5

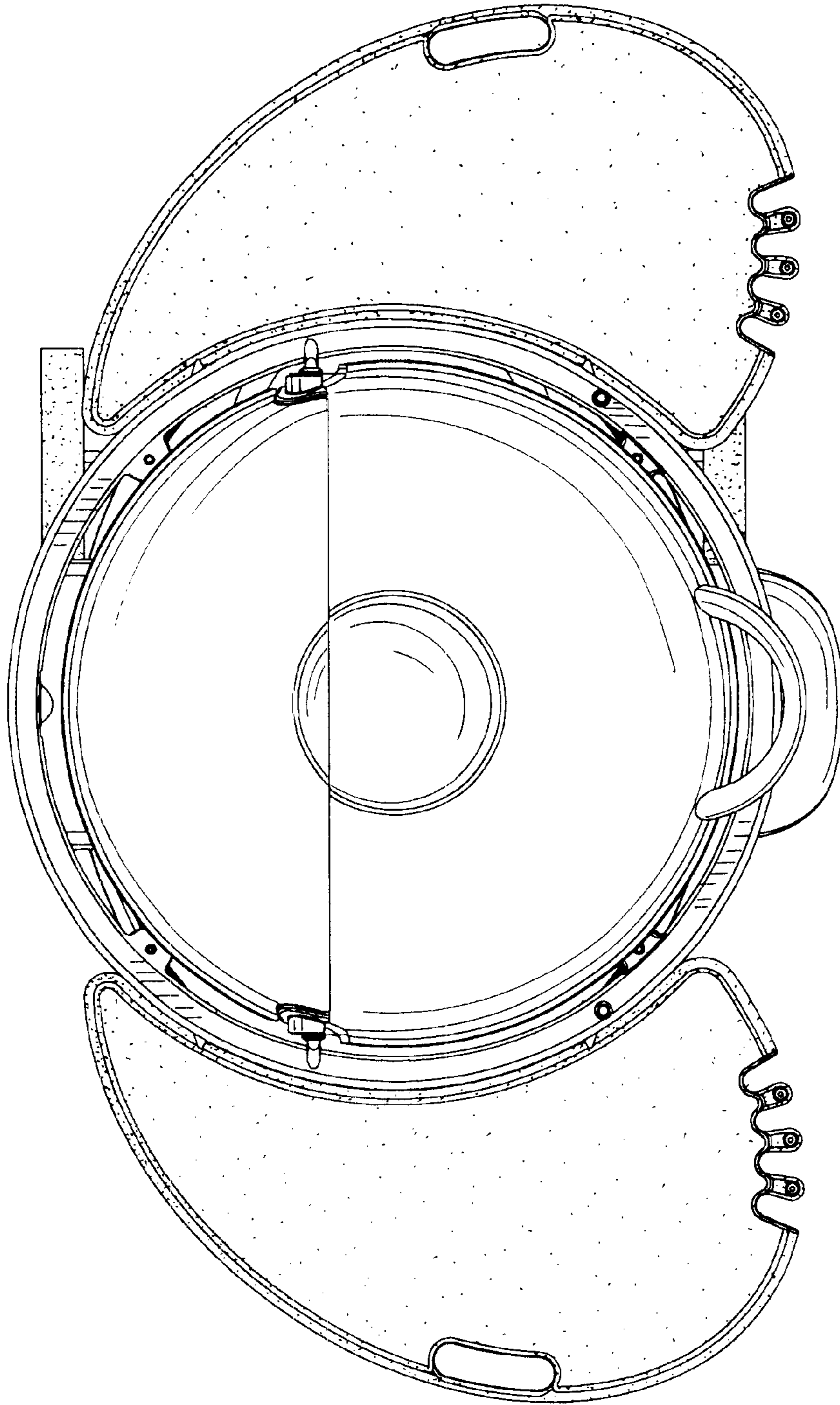


FIG. 6

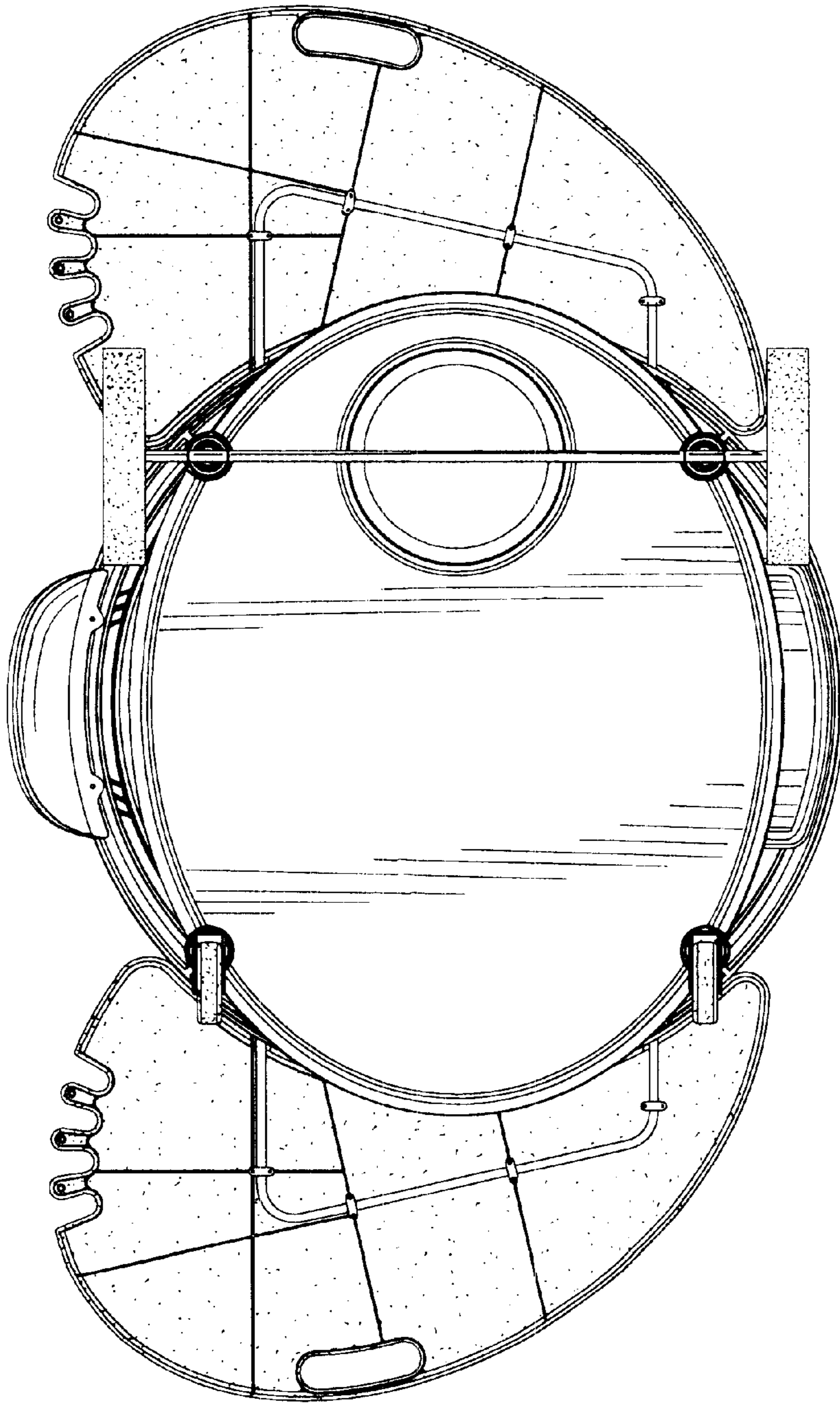


FIG. 7