



US00D459132S

(12) **United States Design Patent**
Shea

(10) **Patent No.:** **US D459,132 S**

(45) **Date of Patent:** **** Jun. 25, 2002**

(54) **SWING STRIP DISPLAY**

2,935,210 A 5/1960 Cohen

(76) Inventor: **Thomas M. Shea**, 1343 Rochester Rd.,
Suite 100, Troy, MI (US) 48083

(List continued on next page.)

(**) Term: **14 Years**

Primary Examiner—Brian N. Vinson
(74) *Attorney, Agent, or Firm*—Gifford, Krass, Groh,
Sprinkle, Anderson & Citkowski, P.C.

(21) Appl. No.: **29/128,427**

(57) **CLAIM**

(22) Filed: **Aug. 24, 2000**

I claim the ornamental design for a swing strip display, as shown and described.

Related U.S. Application Data

DESCRIPTION

(63) Continuation-in-part of application No. 09/280,285, filed on Mar. 29, 1999, now Pat. No. 6,202,866, which is a continuation-in-part of application No. 09/225,671, filed on Jan. 5, 1999, now Pat. No. 6,070,747, and a continuation-in-part of application No. 08/888,558, filed on Jul. 7, 1997, now Pat. No. 5,957,422.

FIG. 1 is a top, front, and left side perspective view of a swing strip display showing my new design;

(51) **LOC (7) Cl.** **06-04**

FIG. 2 is a left side elevational view of the vertical component thereof;

(52) **U.S. Cl.** **D6/567; D6/566**

FIG. 3 is a front elevational view of the vertical component thereof;

(58) **Field of Search** D6/552, 553, 567, D6/566, 513, 514, 512; 211/87.01, 86.01, 57.1, 59.1, 103, 105.3, 105.1, 113, 181.1, 182; 248/251, 302, 309.1, 309.2, 317

FIG. 4 is a right side elevational view of the vertical component thereof;

FIG. 5 is a rear elevational view of the vertical component thereof;

(56) **References Cited**

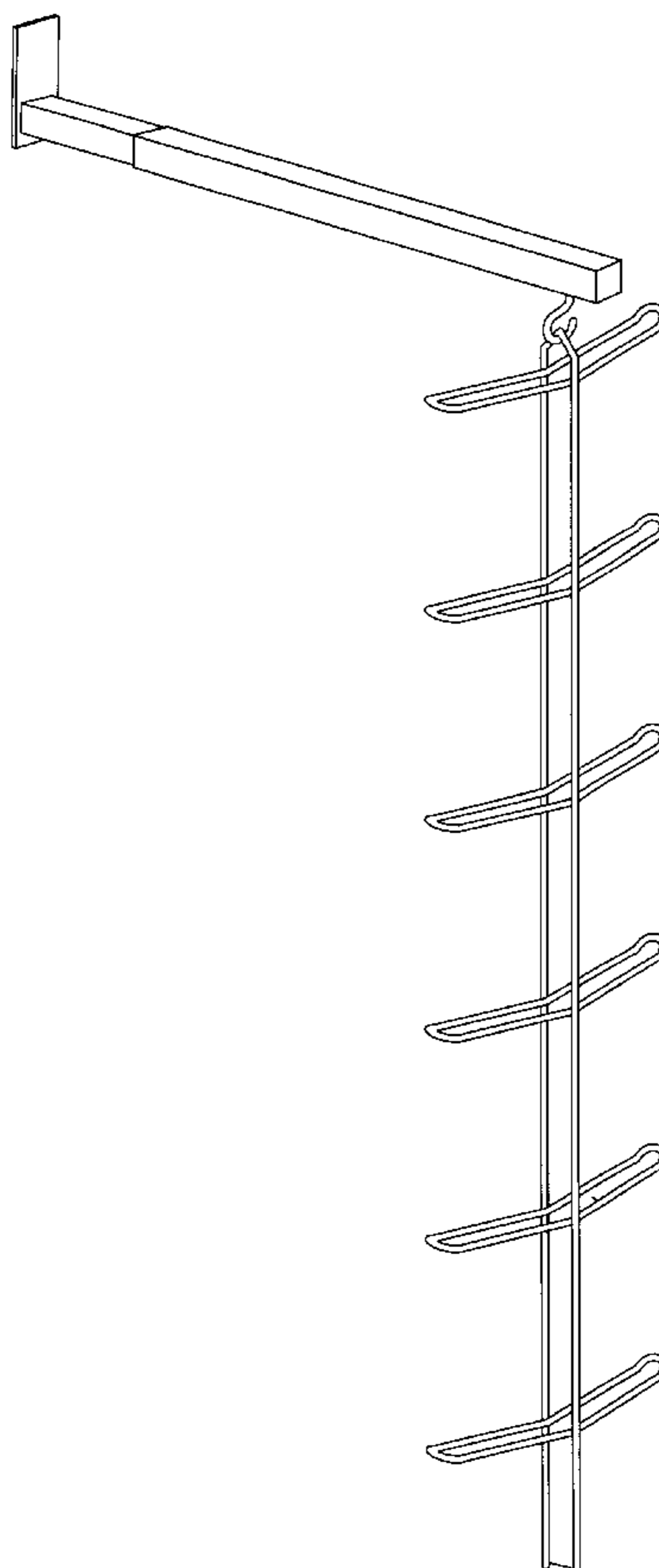
FIG. 6 is a bottom plan view of the vertical component thereof; and,

U.S. PATENT DOCUMENTS

FIG. 7 is a top plan view of the vertical component thereof. The horizontal component has been omitted from most views for convenience of illustration.

431,110 A 7/1890 Driver
2,020,991 A 11/1935 Brody

1 Claim, 2 Drawing Sheets



US D459,132 S

Page 2

U.S. PATENT DOCUMENTS

3,018,898 A	1/1962	Frazelle	5,284,259 A	2/1994	Conway et al.
3,087,624 A	4/1963	Hucker	5,370,249 A	12/1994	Harvey et al.
3,221,893 A	12/1965	Glaerson et al.	5,386,916 A	2/1995	Valiulis
3,513,606 A	5/1970	Jones	5,405,022 A	4/1995	Rissley
3,677,415 A	7/1972	Radek	5,415,370 A	5/1995	Valiulis
3,935,357 A	1/1976	Padovani	5,443,167 A	8/1995	Menaged et al.
D251,351 S	3/1979	Ham	5,505,318 A	4/1996	Goff
4,159,814 A	7/1979	Fibus	5,505,319 A	4/1996	Todd, Jr.
4,286,006 A	8/1981	Boelter	5,526,944 A	6/1996	Merl
4,461,443 A	7/1984	Dauman	5,547,088 A	8/1996	Belokin et al.
4,629,075 A	12/1986	Hutten	5,553,721 A	9/1996	Gebka
4,718,627 A	1/1988	Fast et al.	5,556,064 A	9/1996	Cowe
4,720,016 A	1/1988	Kay	5,620,104 A	4/1997	Maglione
4,767,012 A	8/1988	Simmons	5,657,884 A	8/1997	Zilincar, III
4,911,392 A	3/1990	Fast	5,660,286 A	8/1997	Shea
4,919,280 A	4/1990	Phillips	D384,534 S	* 10/1997	Kiggins D6/567
D320,719 S	10/1991	Kolsrud et al.	5,678,702 A	10/1997	Menaged et al.
5,090,725 A	2/1992	Feldner	D390,398 S	* 2/1998	Baker et al. D6/566
5,096,070 A	3/1992	Jaynes	5,762,207 A	6/1998	Maglione
D327,187 S	6/1992	Swon	D435,381 S	* 12/2000	Shea D6/566

* cited by examiner

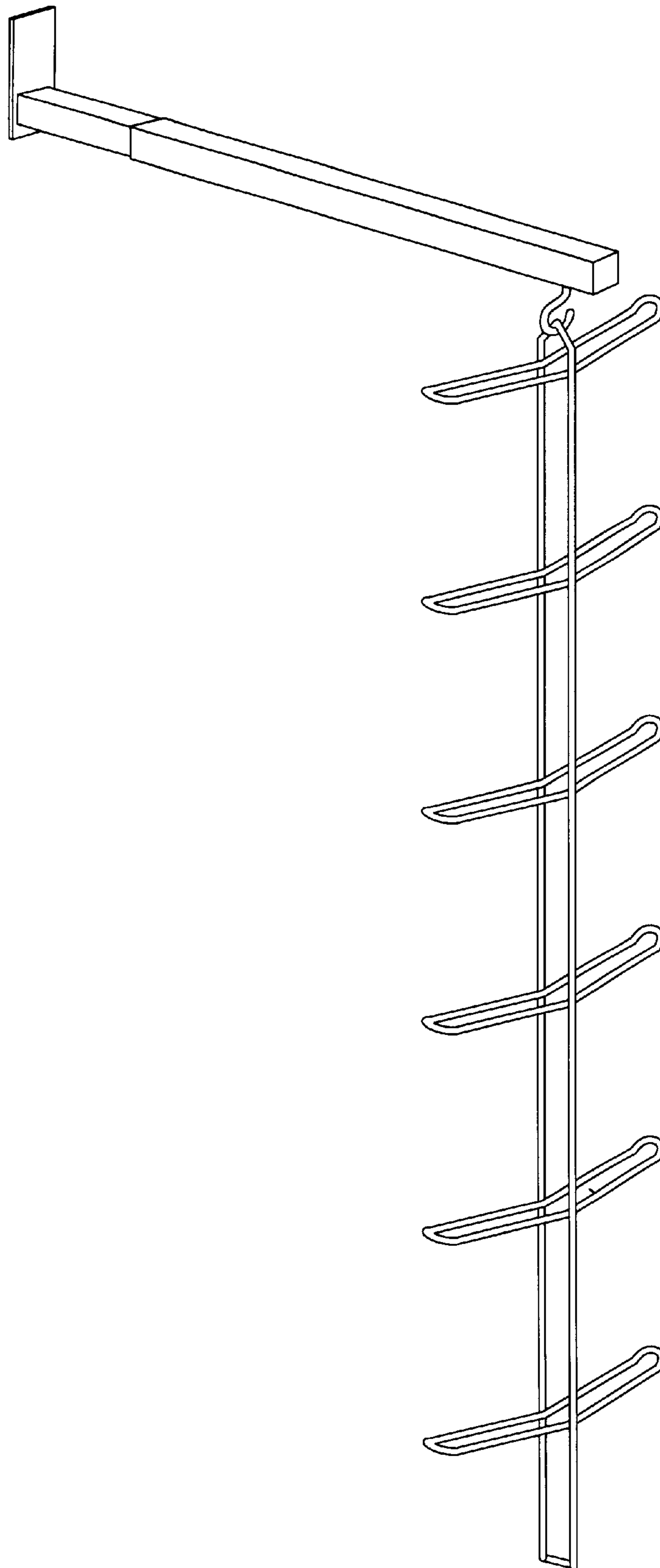


Fig-1

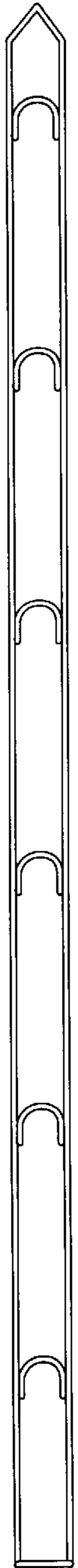


Fig-2

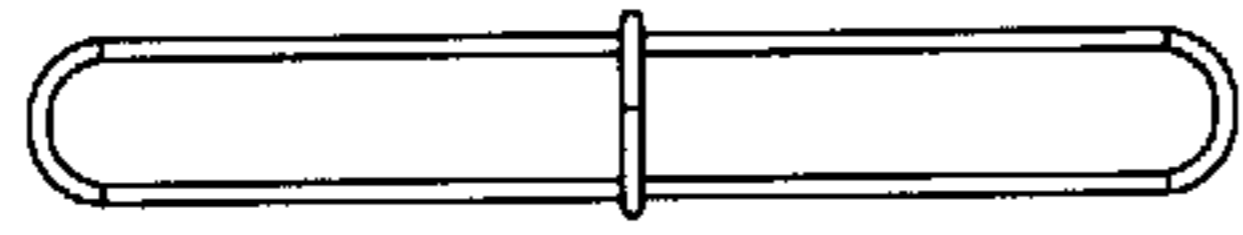


Fig-7

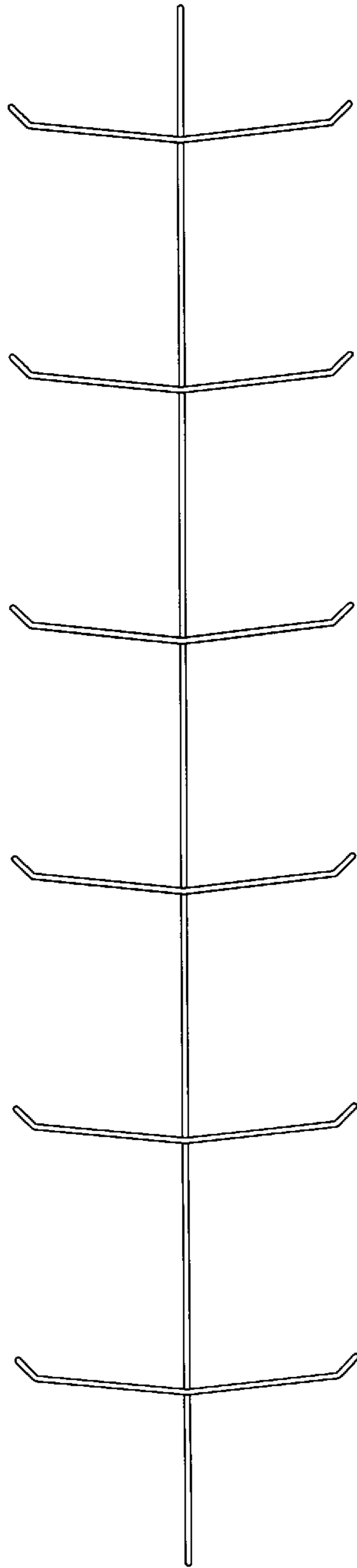


Fig-3



Fig-4

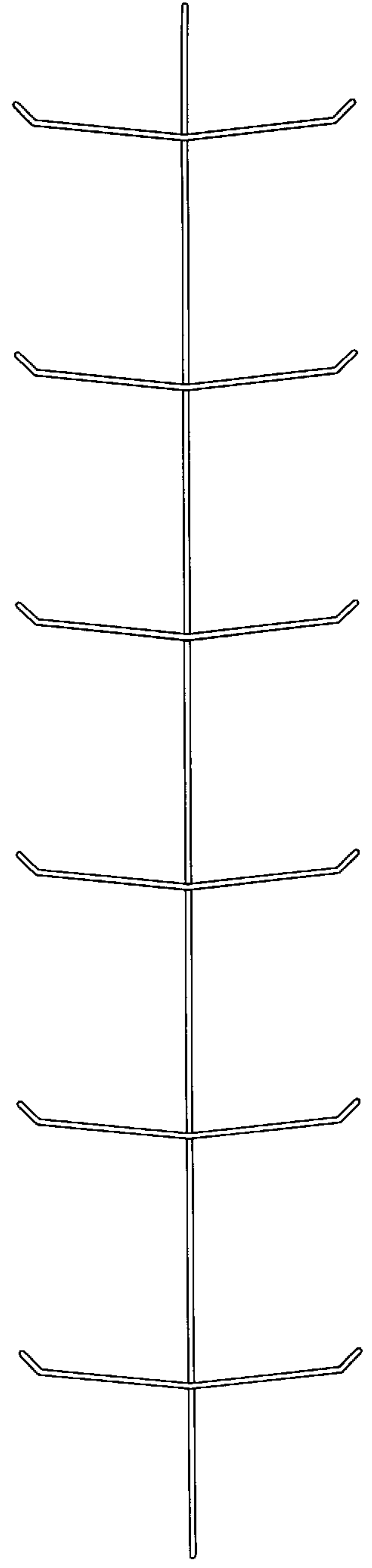


Fig-5

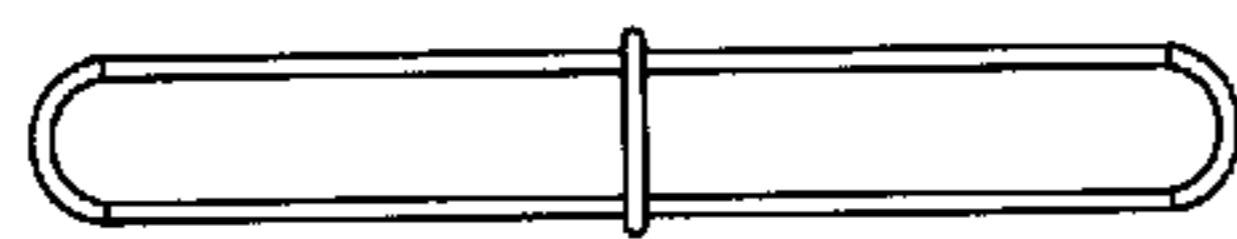


Fig-6