



US00D459131S

(12) **United States Design Patent**
Zazenski

(10) **Patent No.:** **US D459,131 S**

(45) **Date of Patent:** **** Jun. 25, 2002**

(54) **OVAL SHAPED DIAPER CHANGING STATION**

(75) **Inventor:** **James A. Zazenski**, Highlands Ranch, CO (US)

(73) **Assignee:** **Koala Corporation**, Denver, CO (US)

(**) **Term:** **14 Years**

(21) **Appl. No.:** **29/146,305**

(22) **Filed:** **Aug. 6, 2001**

Related U.S. Application Data

(63) Continuation of application No. 09/513,708, filed on Feb. 25, 2000, now Pat. No. 6,269,503

(60) Provisional application No. 60/121,890, filed on Feb. 26, 1999.

(51) **LOC (7) Cl.** **06-04**

(52) **U.S. Cl.** **D6/555**

(58) **Field of Search** D6/555, 553, 567, D6/569; 312/114, 126, 128-129, 204, 231, 234, 242, 245; 211/13.1, 14, 88.01, 126.1, 134

(56) **References Cited**

U.S. PATENT DOCUMENTS

D314,112 S	1/1991	Dainty	D6/555
D326,384 S	* 5/1992	Burt et al.	D6/555
D332,197 S	* 1/1993	Chase	D6/555
D382,432 S	* 8/1997	Perelli	D6/555
D391,794 S	* 3/1998	Helmsderfer	D6/555
D408,189 S	* 4/1999	Shimer et al.	D6/555

D408,190 S	* 4/1999	Helmsderfer	D6/555
D412,634 S	* 8/1999	Helmsderfer et al.	D6/555
D416,155 S	* 11/1999	Helmsderfer et al.	D6/555
D422,441 S	* 4/2000	Perelli	D6/555
6,269,503 B1	8/2001	Betker	5/655

OTHER PUBLICATIONS

1999 Koala Catalog, "Solutions for Family Friendly Facilities".

* cited by examiner

Primary Examiner—Brian N. Vinson

(74) *Attorney, Agent, or Firm*—Sheridan Ross P.C.

(57) **CLAIM**

The ornamental design for an oval shaped diaper changing station, as shown and described.

DESCRIPTION

FIG. 1 is a front elevation view of an oval shaped diaper changing station, showing my new design.

FIG. 2 is a top plan view of the oval shaped diaper changing station illustrated in FIG. 1.

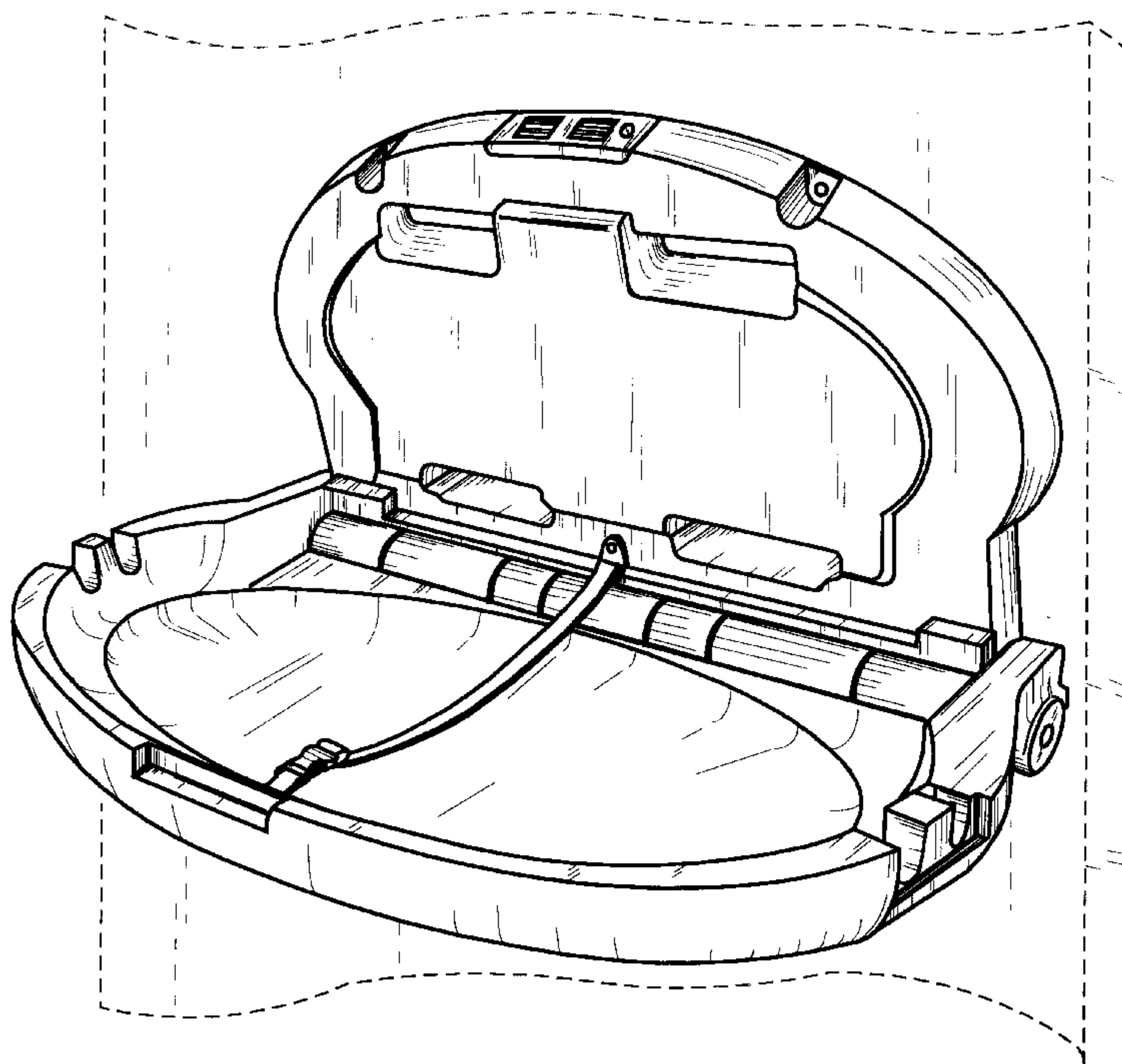
FIG. 3 is a right elevation view of the oval shaped diaper changing station illustrated in FIG. 1.

FIG. 4 is a left elevation view of the oval shaped diaper changing station illustrated in FIG. 1; and,

FIG. 5 is a front perspective view of the changing station illustrated in FIG. 1 with the support platform shown extended in a position of use.

The broken-line disclosure of a wall fragment in the views is for illustrative purposes only and forms no part of the claimed design.

1 Claim, 3 Drawing Sheets



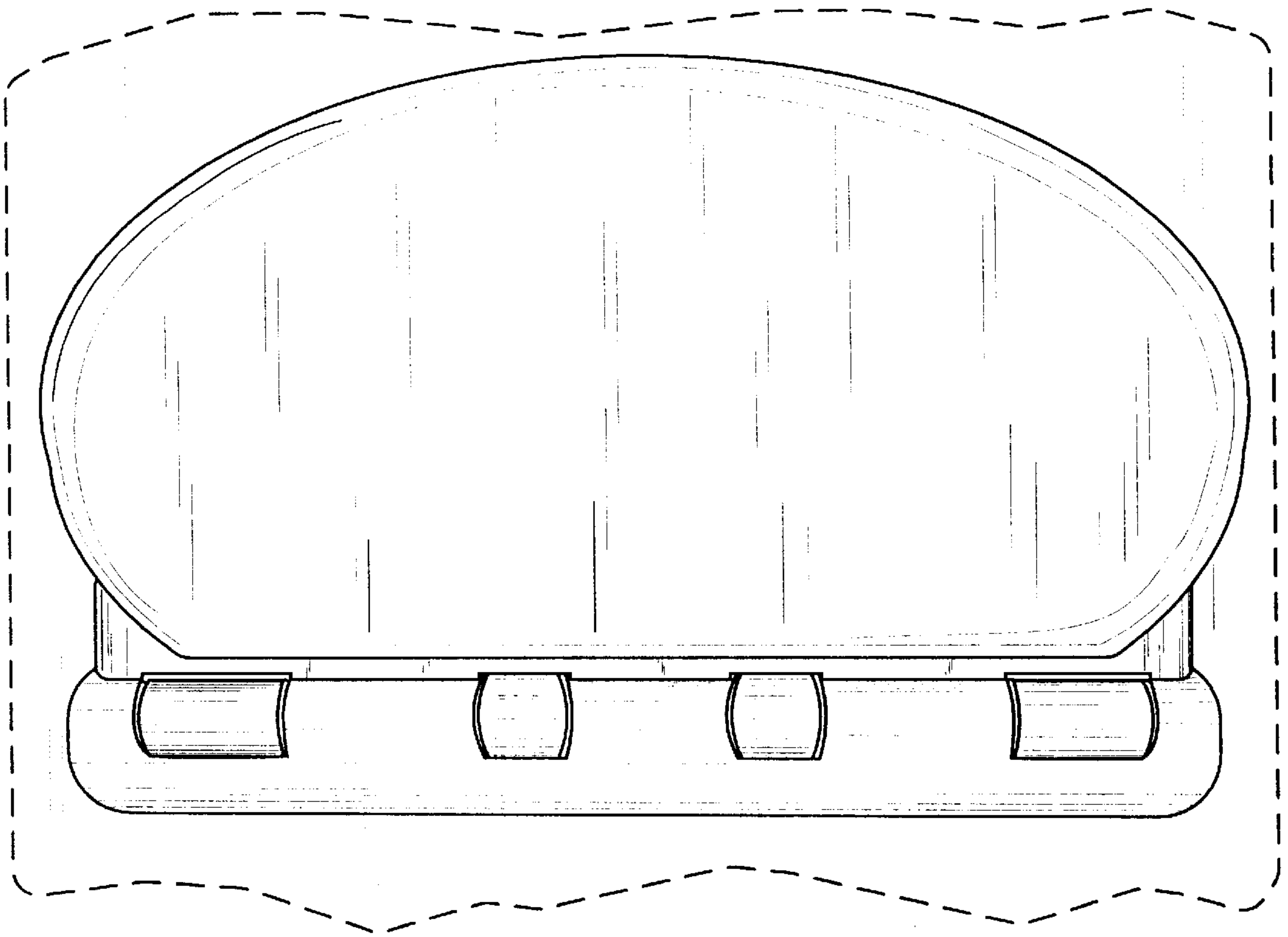


FIG. 1

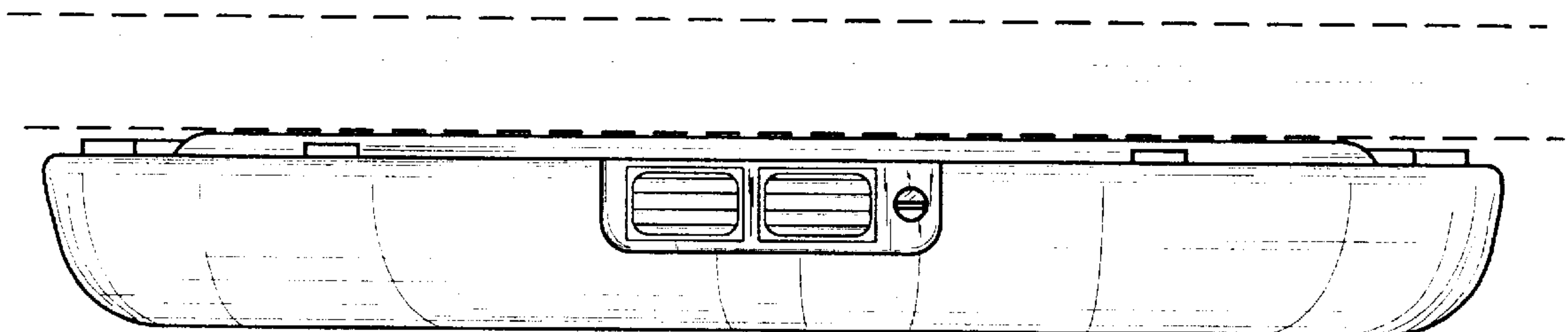


FIG. 2

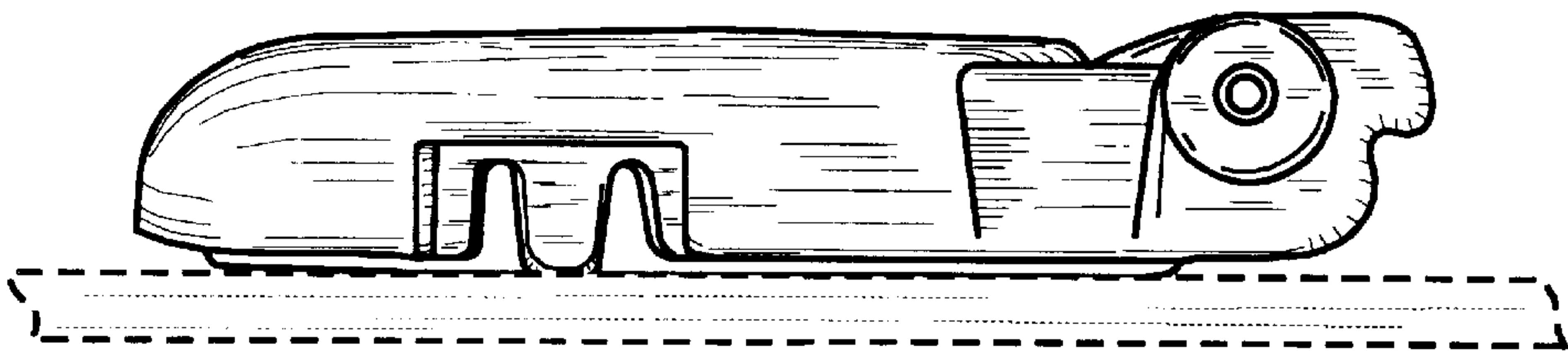


FIG. 4

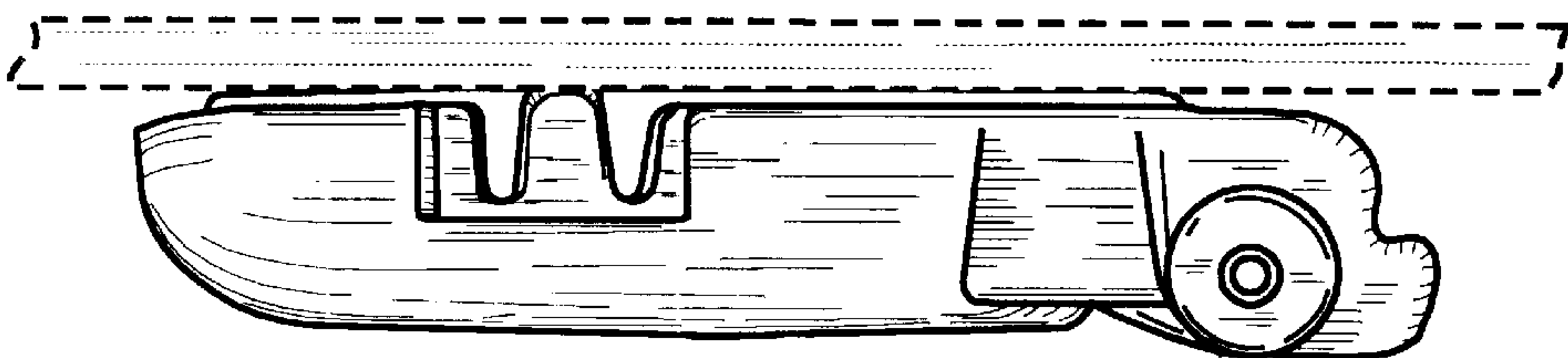


FIG. 3

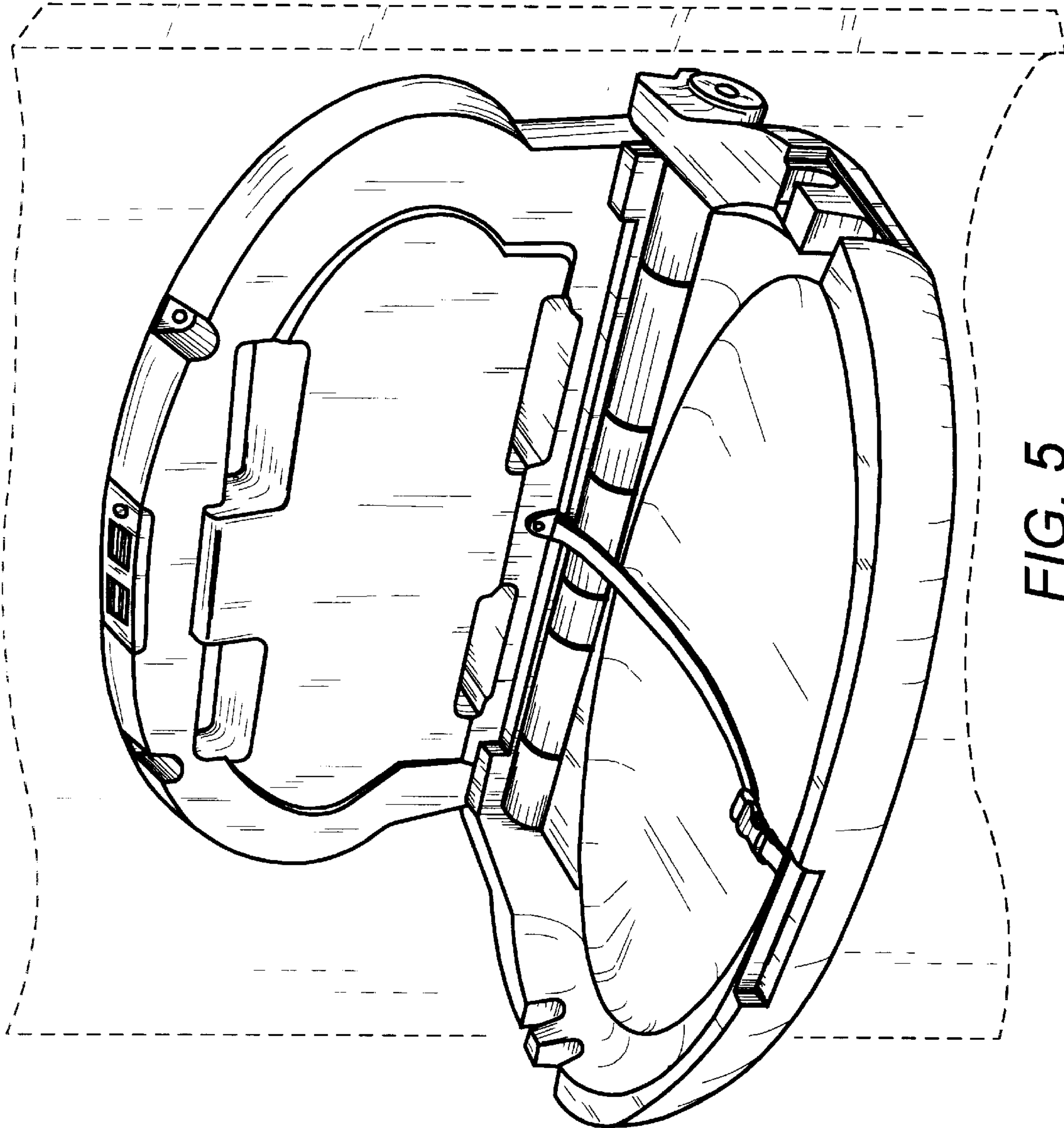


FIG. 5