



US00D459128S

(12) **United States Design Patent**
Meck et al.

(10) **Patent No.:** **US D459,128 S**

(45) **Date of Patent:** **** Jun. 25, 2002**

(54) **TISSUE ROLL HOLDER**

(75) Inventors: **Leslie A. Meck**, Fleetwood; **Randy S. Cramer**, Lebanon; **Daniel J. Roche**, Wyomissing; **Renee K. Chesler**, Royersford, all of PA (US)

(73) Assignee: **Baldwin Hardware Corporation**, Reading, PA (US)

(*) Notice: This patent is subject to a terminal disclaimer.

(**) Term: **14 Years**

(21) Appl. No.: **29/131,759**

(22) Filed: **Oct. 27, 2000**

(51) **LOC (7) Cl.** **23-02**

(52) **U.S. Cl.** **D6/523**

(58) **Field of Search** D6/546-50, 518, D6/522-24; D8/300, 315-21, 354, 363, 373, 380; 108/28-29; 211/13.1, 16, 60.1, 86.01, 87.01, 88.04, 100, 105.1-105.2, 123, 181.1, 182; 248/175, 176.1, 251, 302; 16/110.1, 412, 415; 242/570, 590, 595-598; 206/389

(56) **References Cited**

U.S. PATENT DOCUMENTS

D357,379 S * 4/1995 Lehn et al. D6/549

D357,841 S * 5/1995 Lehn et al. D6/549
D361,006 S * 8/1995 Sharpe D6/524
D369,931 S * 5/1996 Shames et al. D6/524
D377,570 S * 1/1997 Sharpe D6/524
D408,188 S * 4/1999 Kuo D6/550

* cited by examiner

Primary Examiner—Brian N. Vinson

(74) *Attorney, Agent, or Firm*—Myron B. Kapustij; Lloyd D. Doigan

(57) **CLAIM**

The ornamental design for a tissue roll holder, as shown and described.

DESCRIPTION

FIG. 1 is a top perspective view of a tissue roll holder showing our new design;

FIG. 2 is a front elevational view thereof;

FIG. 3 is a top plan view thereof;

FIG. 4 is a bottom plan view thereof;

FIG. 5 is a left side elevational view thereof;

FIG. 6 is a right side elevational view thereof; and,

FIG. 7 is a rear elevational view thereof.

The broken line showing of the cylindrical bar in FIGS. 1-4 and 7 and of the set screws in FIG. 4 are for purposes of illustration only and form no part of the claimed design.

1 Claim, 4 Drawing Sheets

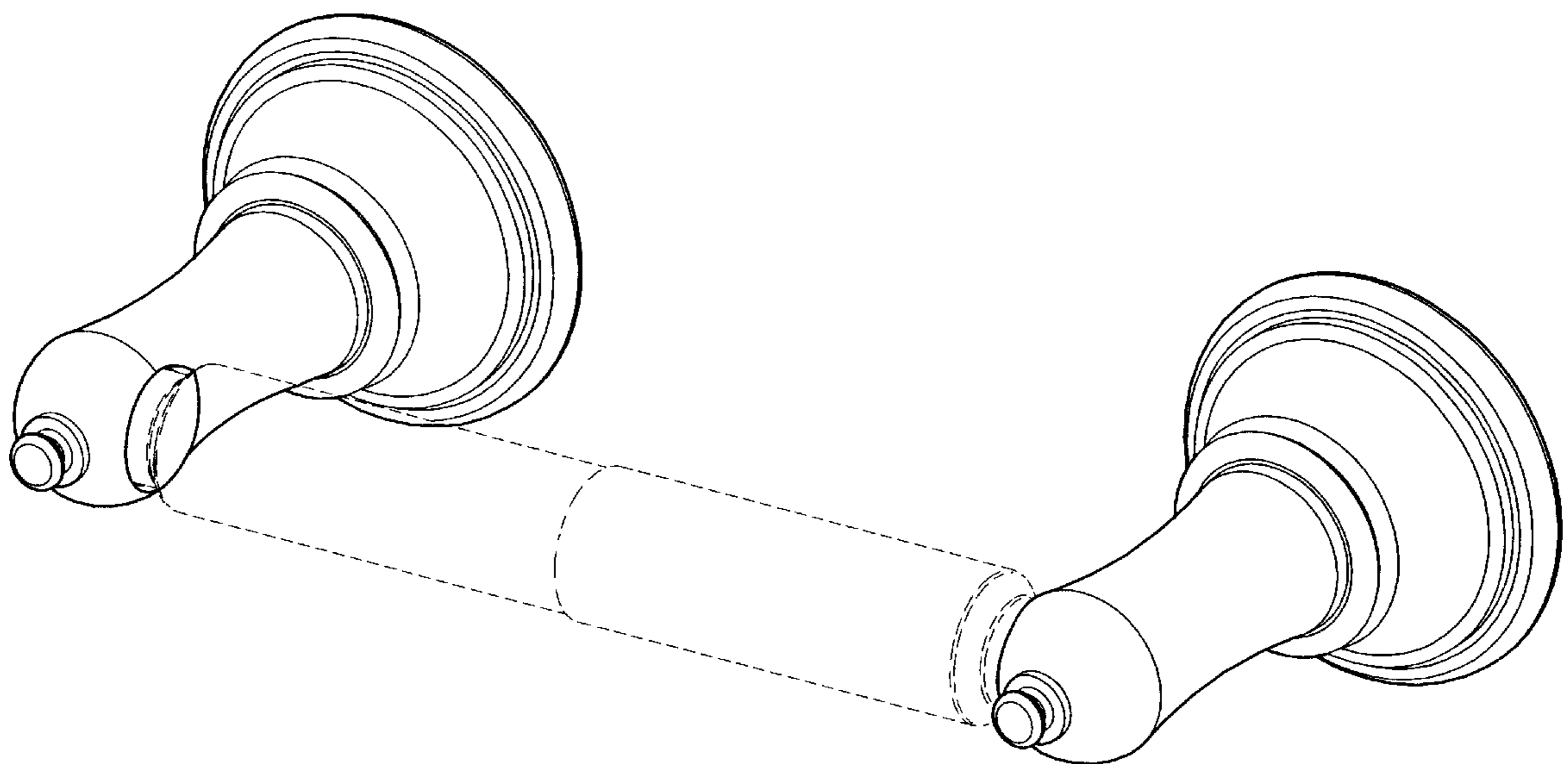


Figure - 1

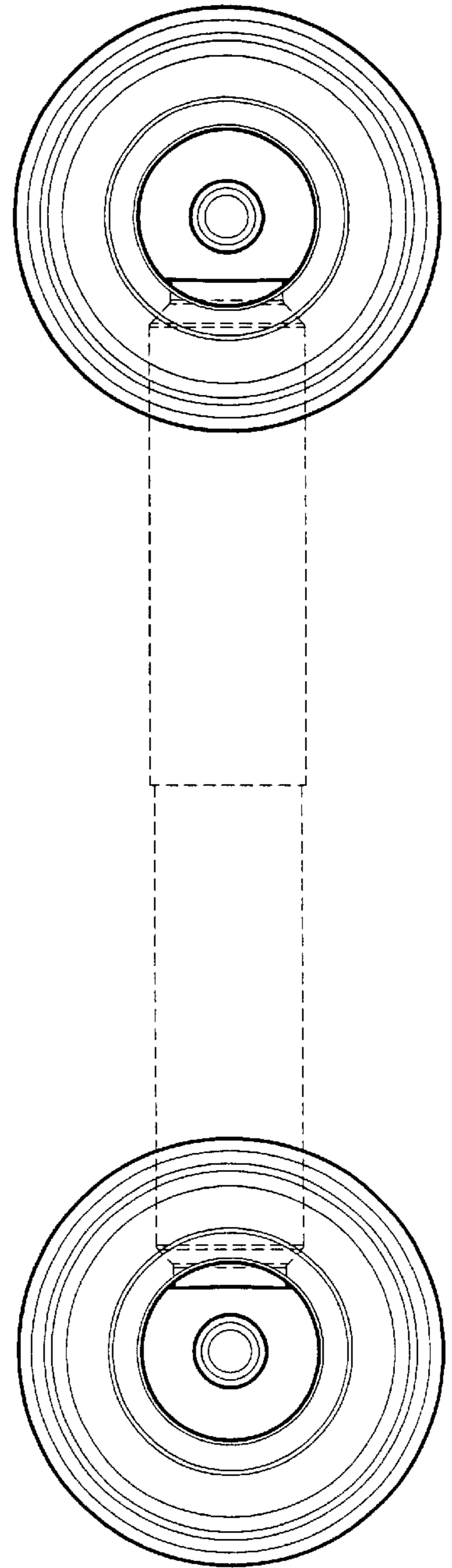
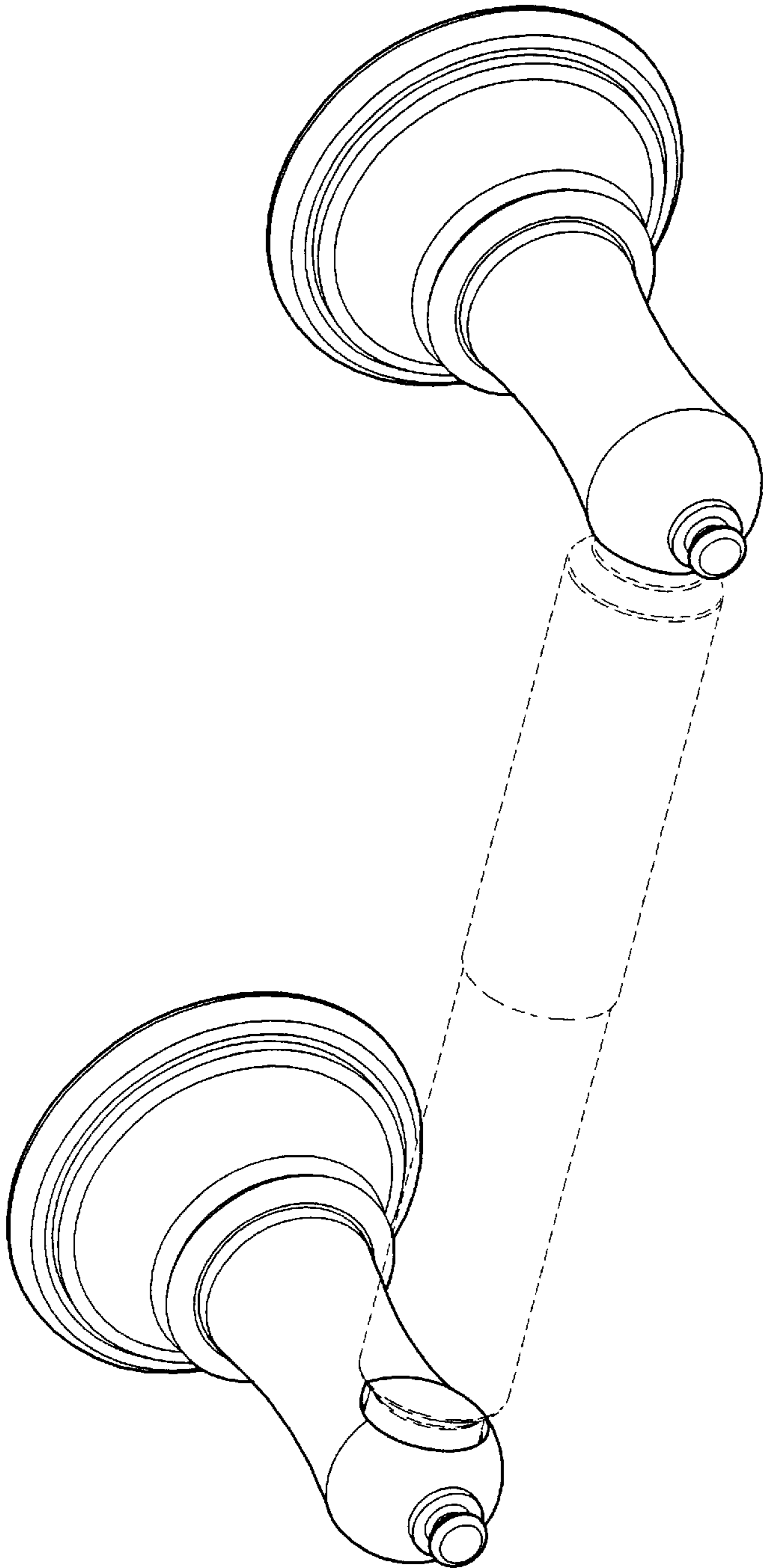


Figure - 2

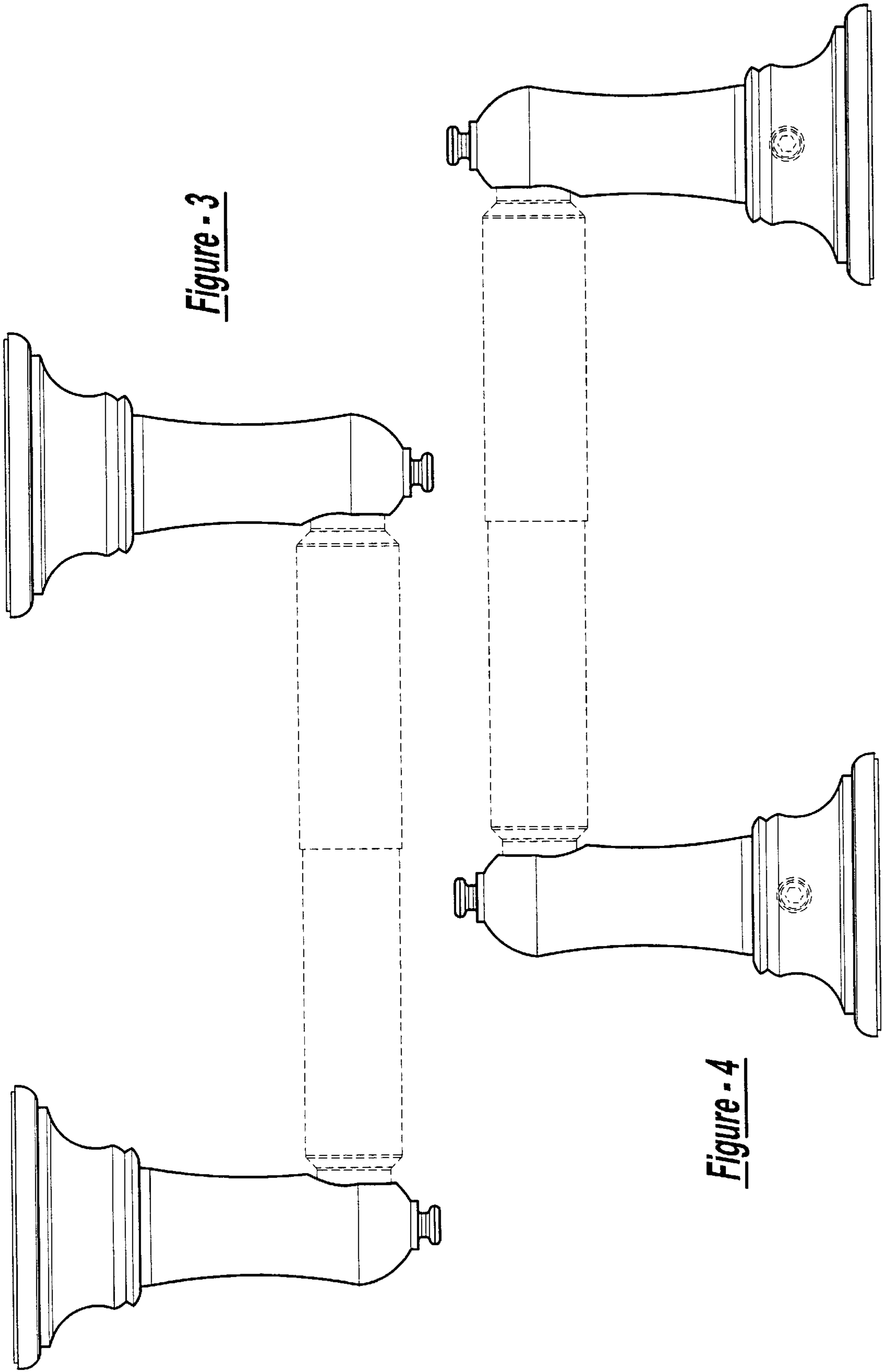


Figure - 3

Figure - 4

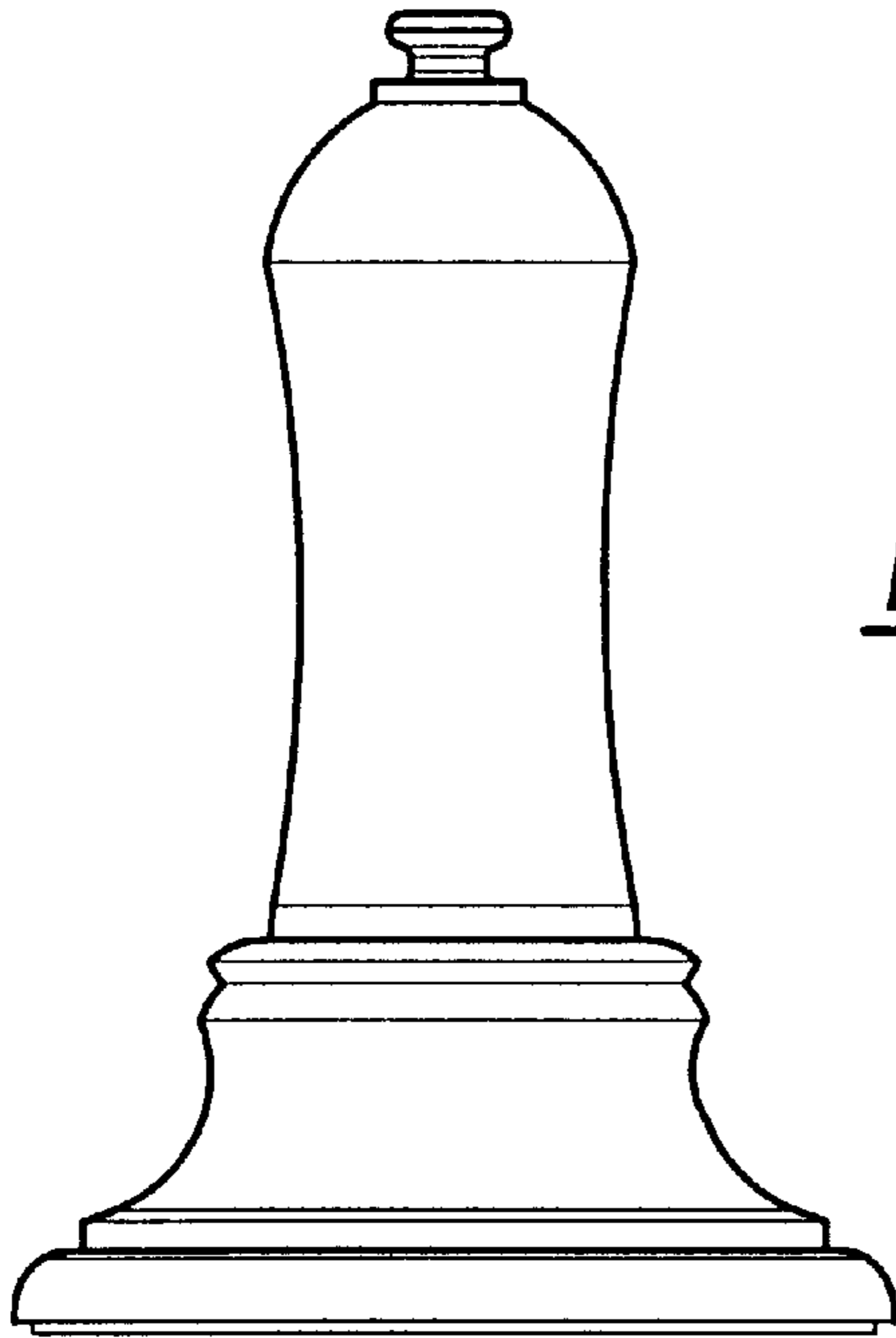


Figure - 5

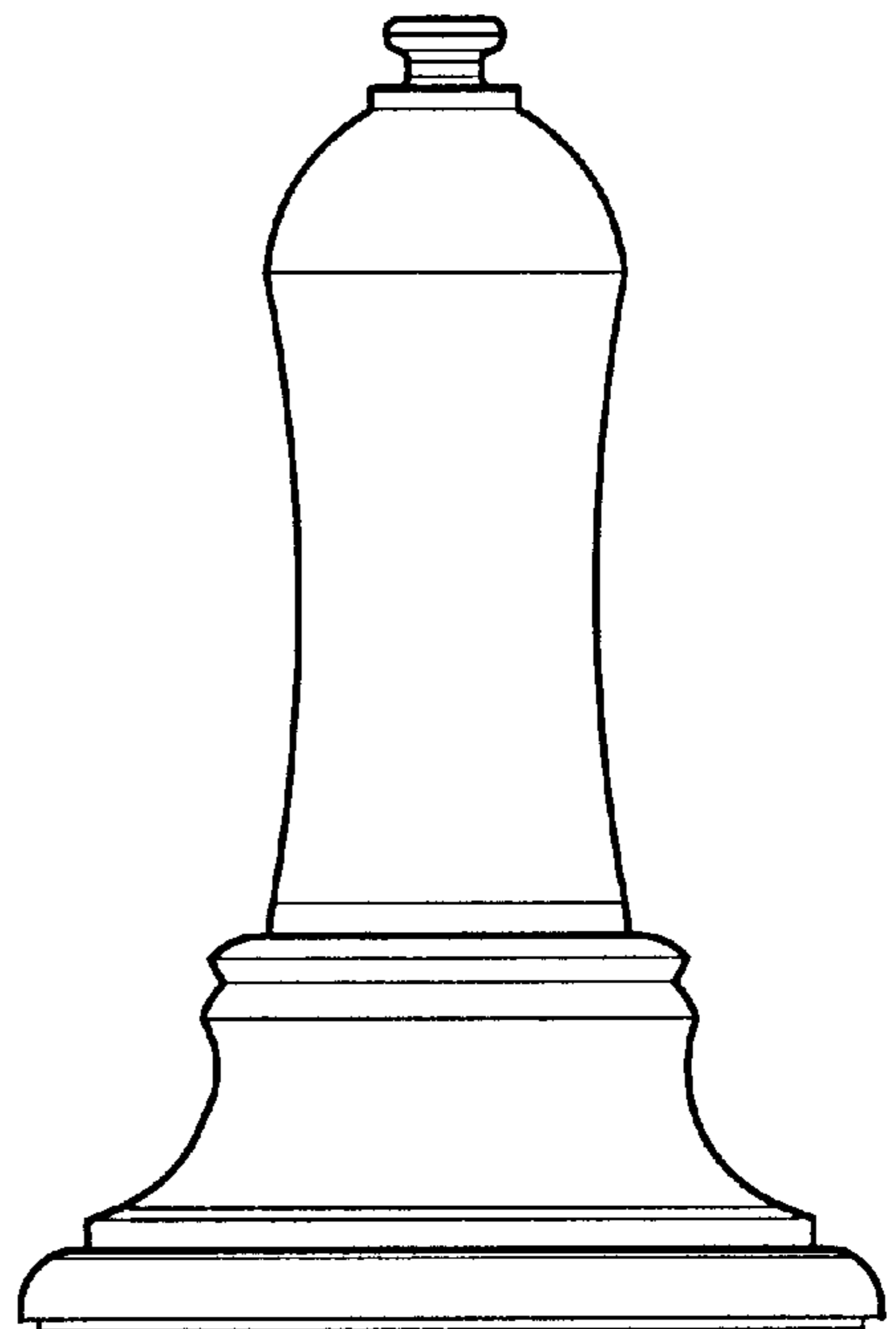


Figure - 6

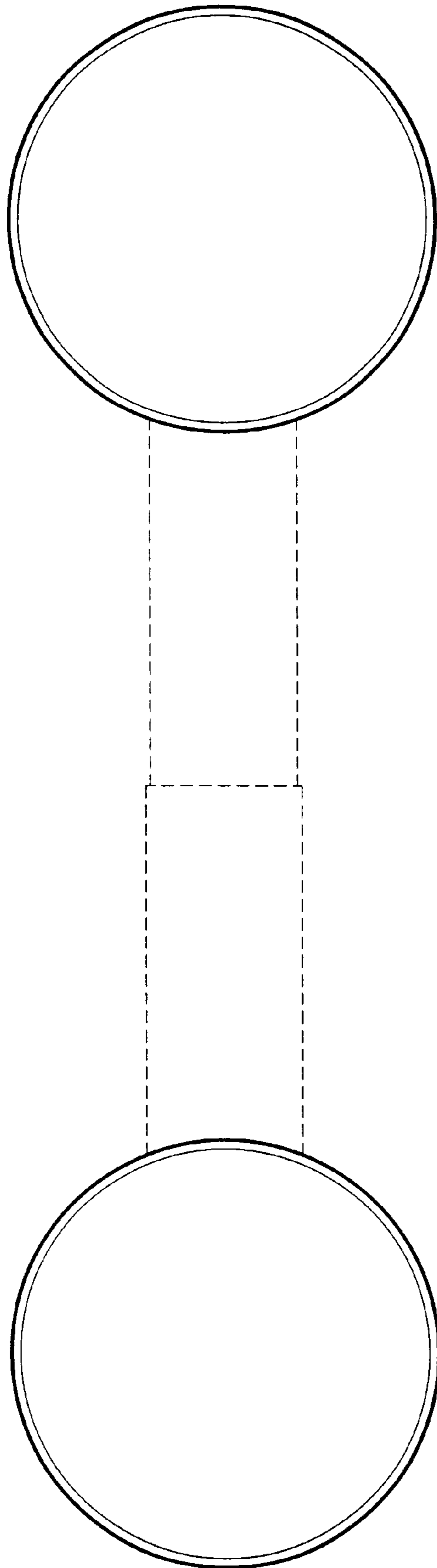


Figure - 7