



US00D459123S

(12) **United States Design Patent**
Meigs

(10) **Patent No.:** **US D459,123 S**

(45) **Date of Patent:** **** Jun. 25, 2002**

(54) **MERCHANDISING DISPLAY FOR ELONGATED PRODUCTS**

D393,388 S * 4/1998 Chen D6/513

* cited by examiner

(75) Inventor: **Jay W. Meigs**, Commerce Township, MI (US)

Primary Examiner—Brian N. Vinson

(74) *Attorney, Agent, or Firm*—Edgar A. Zarins; Lloyd D. Doigan

(73) Assignee: **Brass-Craft Manufacturing Company**, Novi, MI (US)

(57) **CLAIM**

(**) Term: **14 Years**

The ornamental design for a merchandising display for elongated products, as shown and described.

(21) Appl. No.: **29/133,718**

DESCRIPTION

(22) Filed: **Dec. 5, 2000**

FIG. 1 is an exploded top, front, and right side perspective view of a merchandising display for elongated products showing my new design,

(51) **LOC (7) Cl.** **06-06**

(52) **U.S. Cl.** **D6/513**

FIG. 2 is a top, front, and right side perspective view thereof; FIG. 3 is an additional top, front, and right side perspective view thereof;

(58) **Field of Search** D6/513, 514; 211/13.1, 211/59.2, 70.6, 86.01, 113; 221/282, 283

FIG. 4 is a front elevational view thereof;

(56) **References Cited**

U.S. PATENT DOCUMENTS

4,401,221 A * 8/1983 Suttles 211/59.2

D307,990 S * 5/1990 Funk D6/513

D320,713 S * 10/1991 Greenhut et al. D6/513

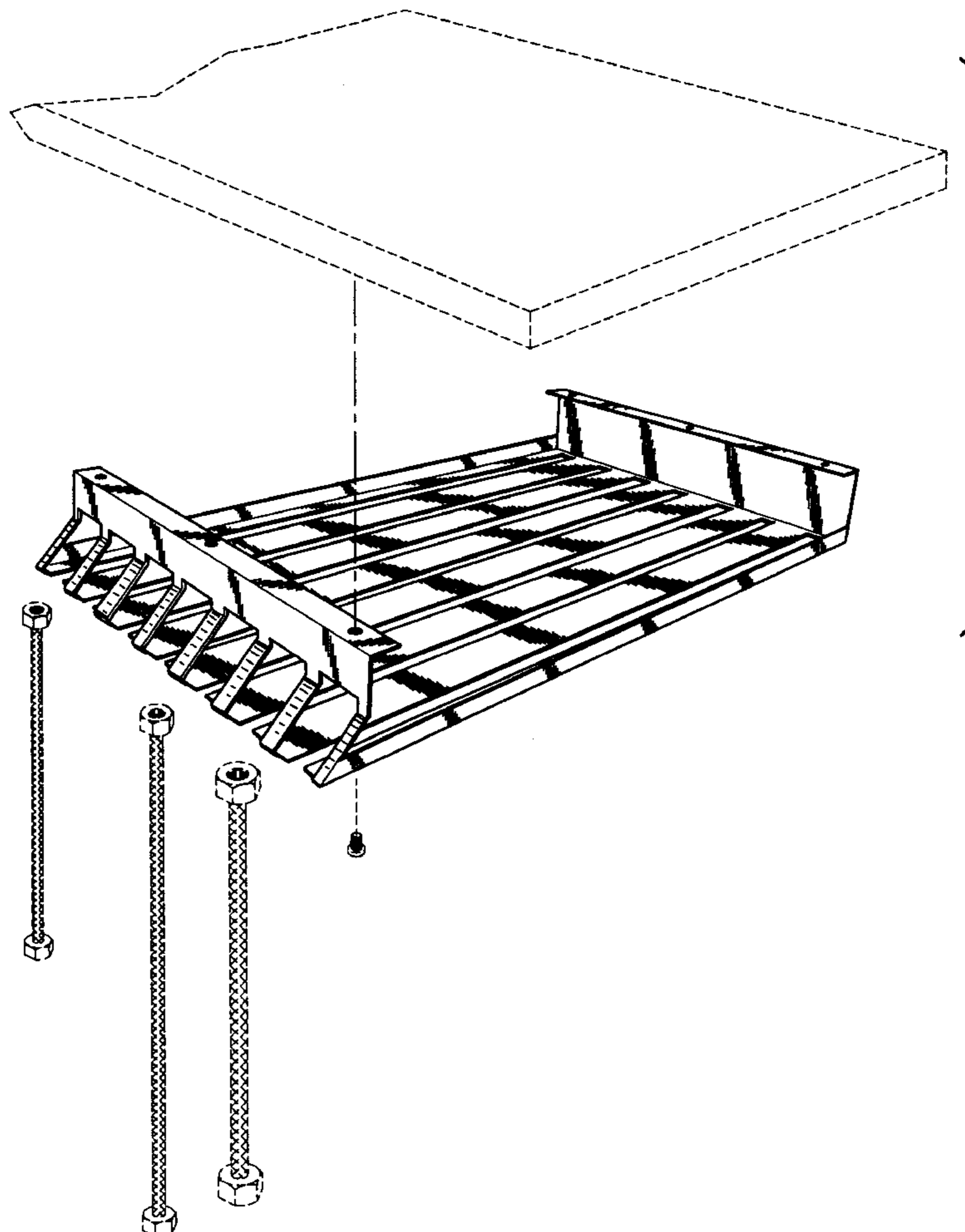
FIG. 5 is a top plan view thereof;

FIG. 6 is a right side elevational view thereof, the left side being a mirror image of that shown;

FIG. 7 is a rear elevational view thereof; and,

FIG. 8 is a bottom plan view thereof.

1 Claim, 6 Drawing Sheets



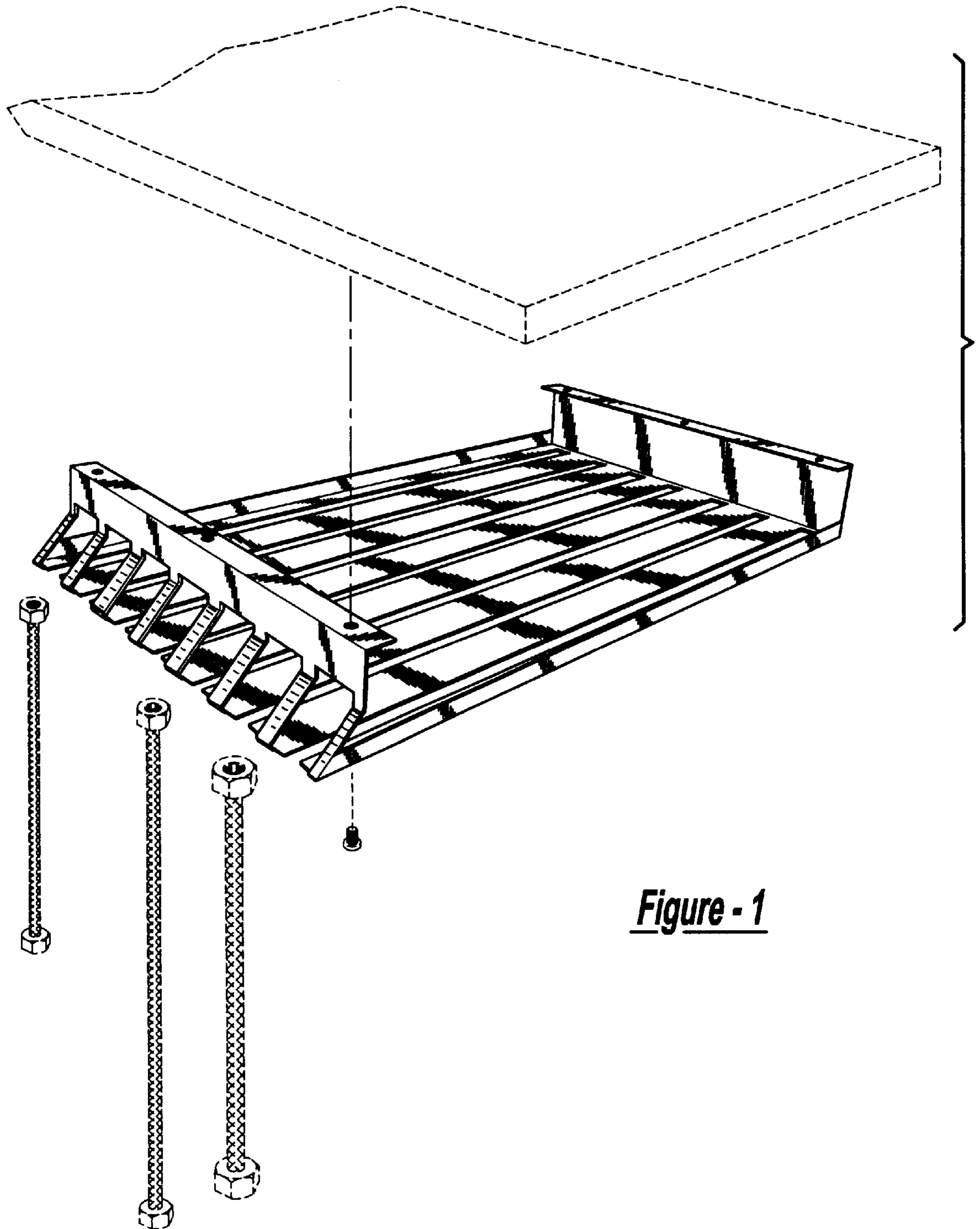


Figure - 1

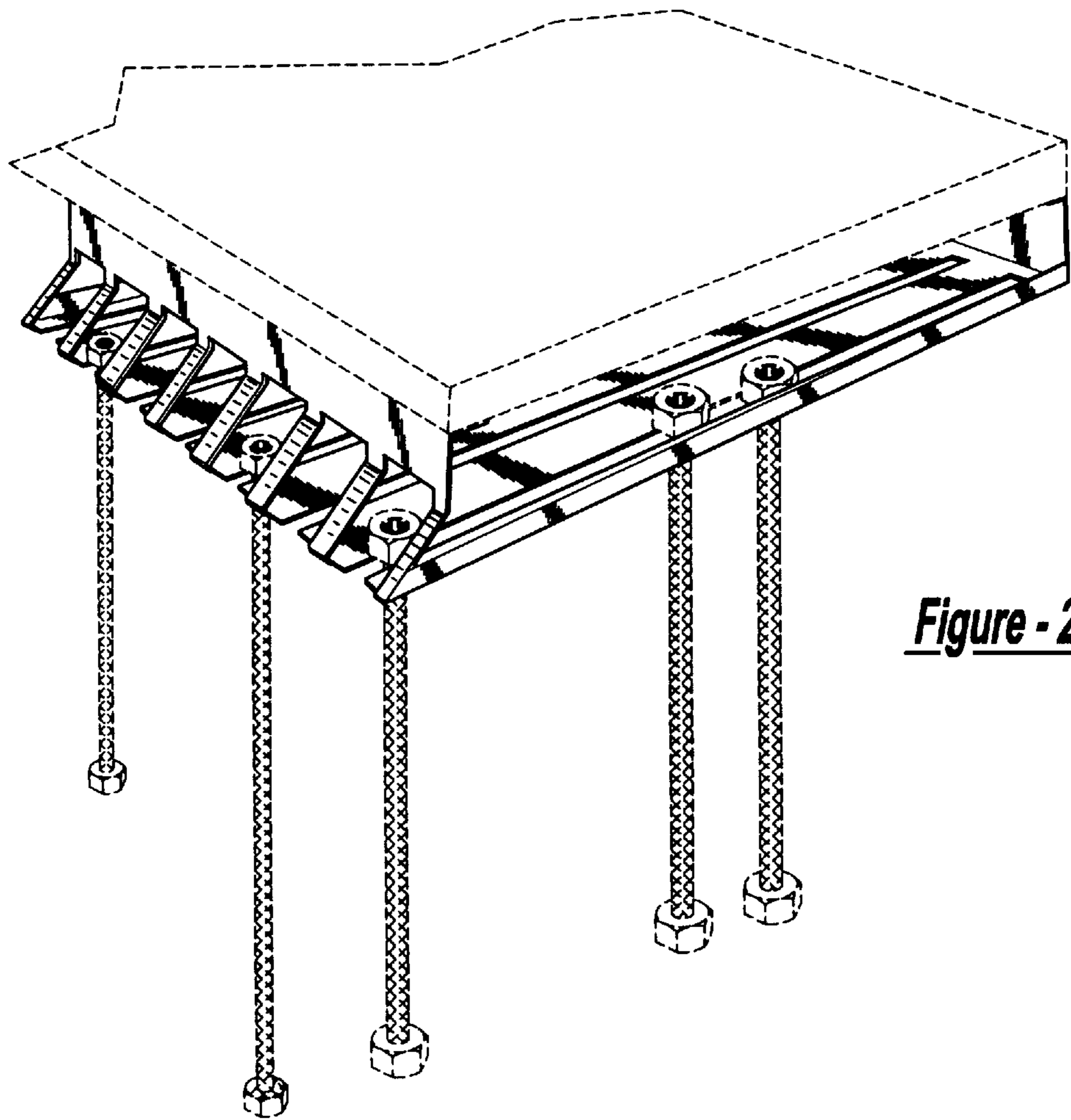


Figure - 2

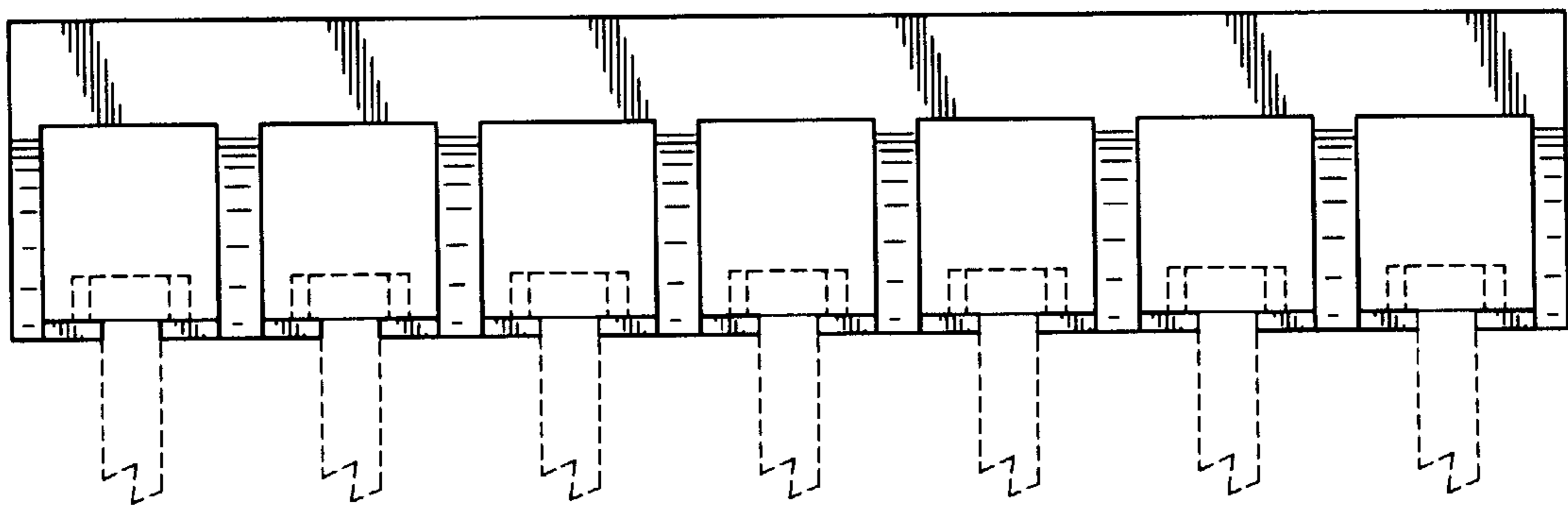


Figure - 4

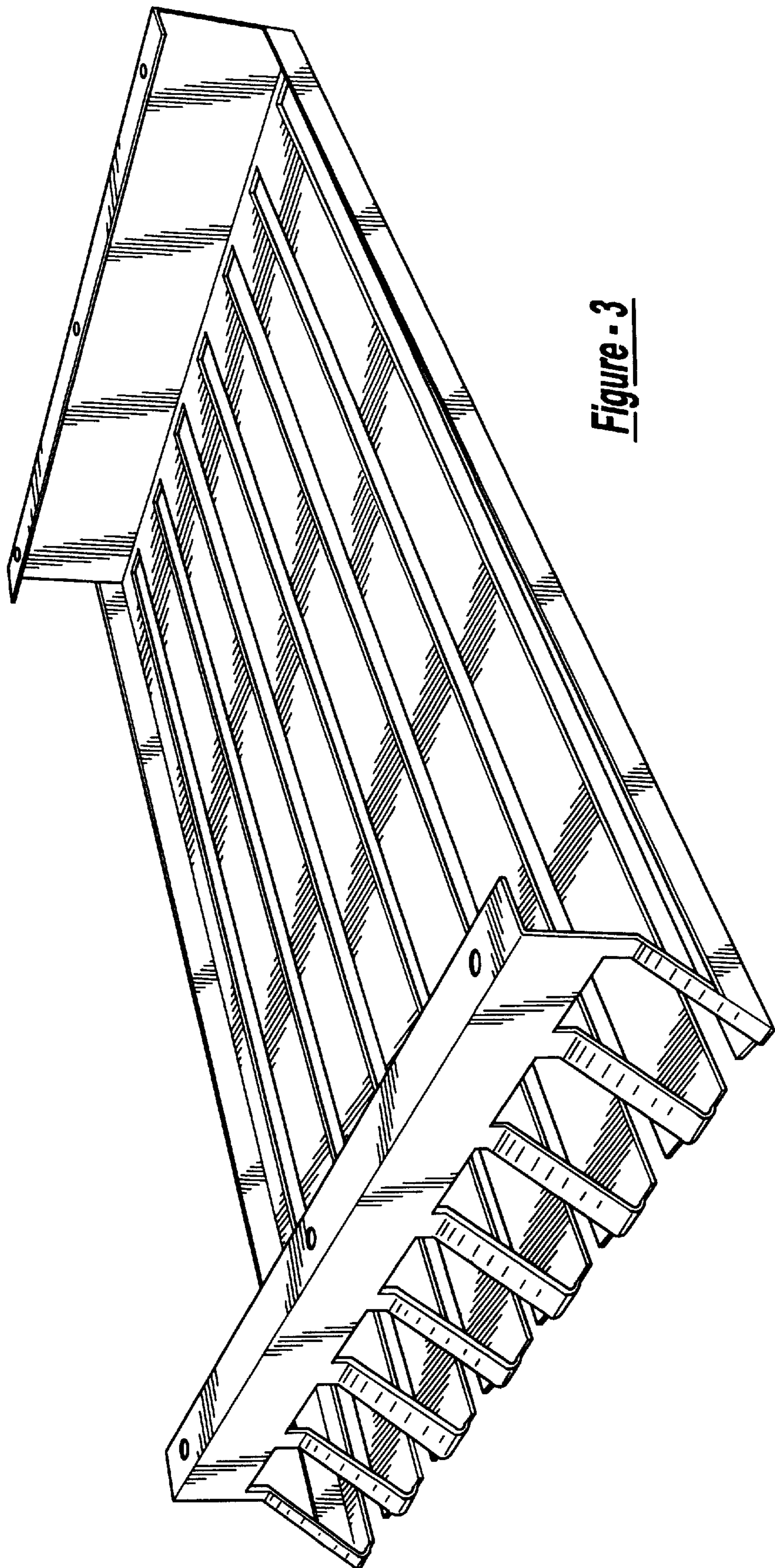


Figure - 3

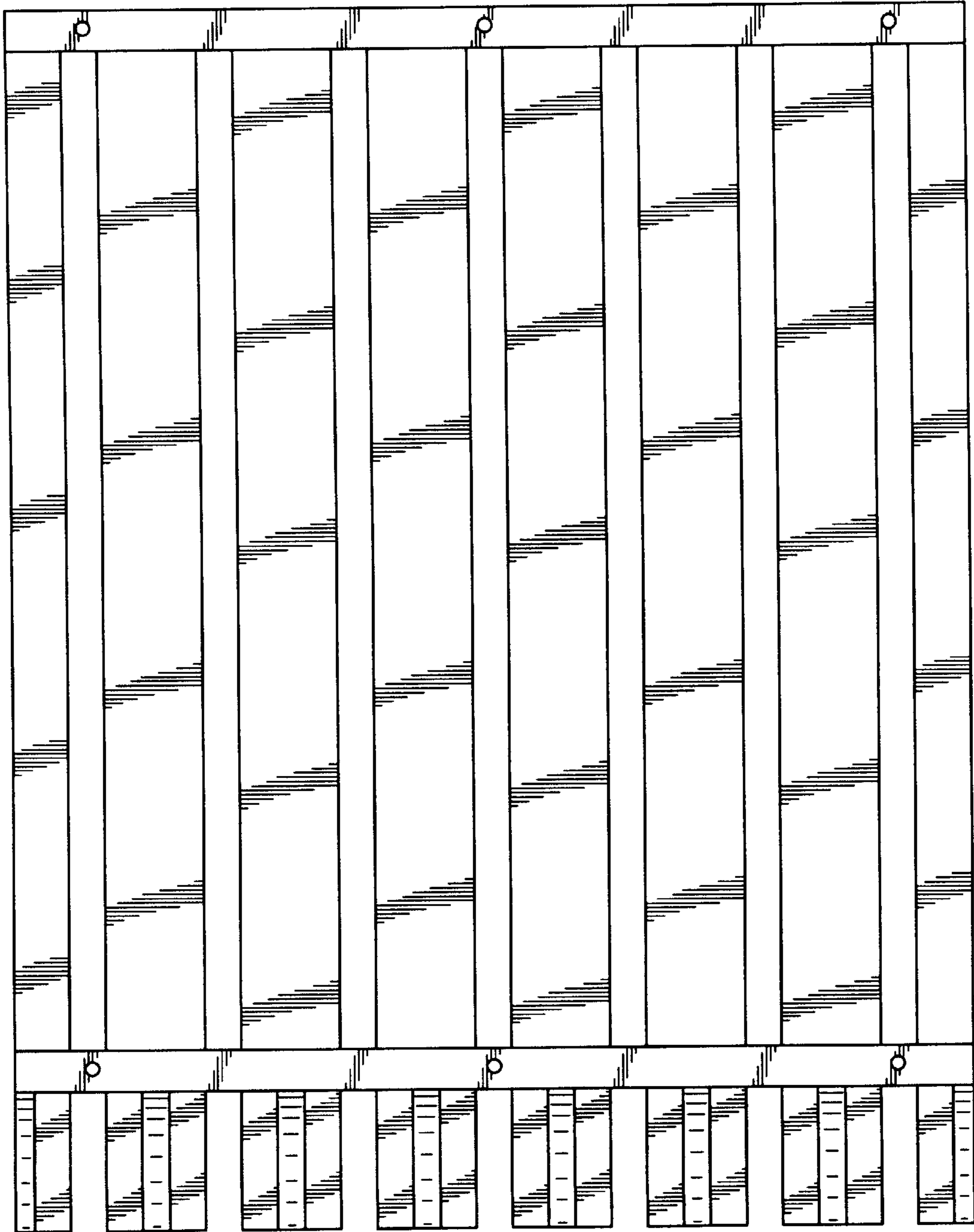


Figure - 5

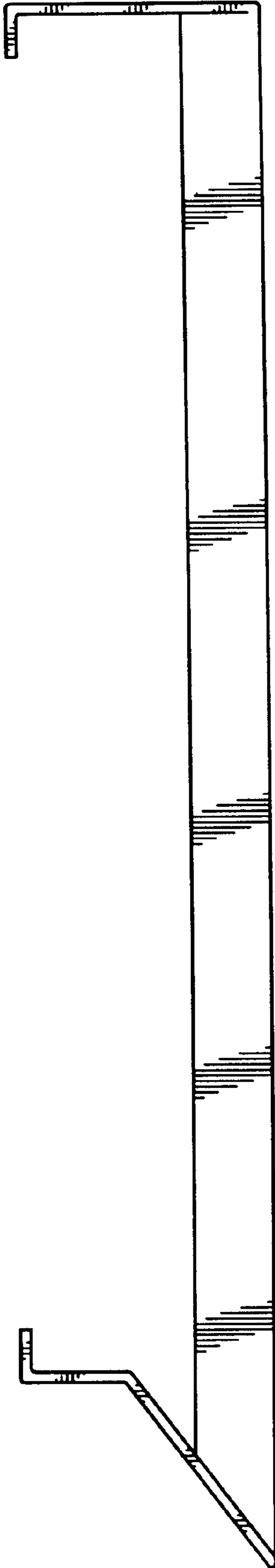
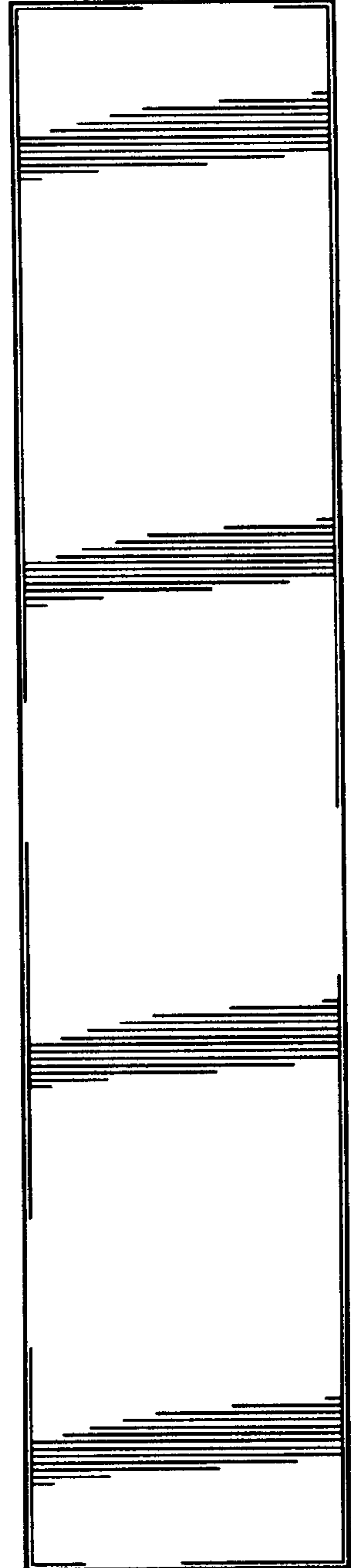


Figure - 6

Figure - 7



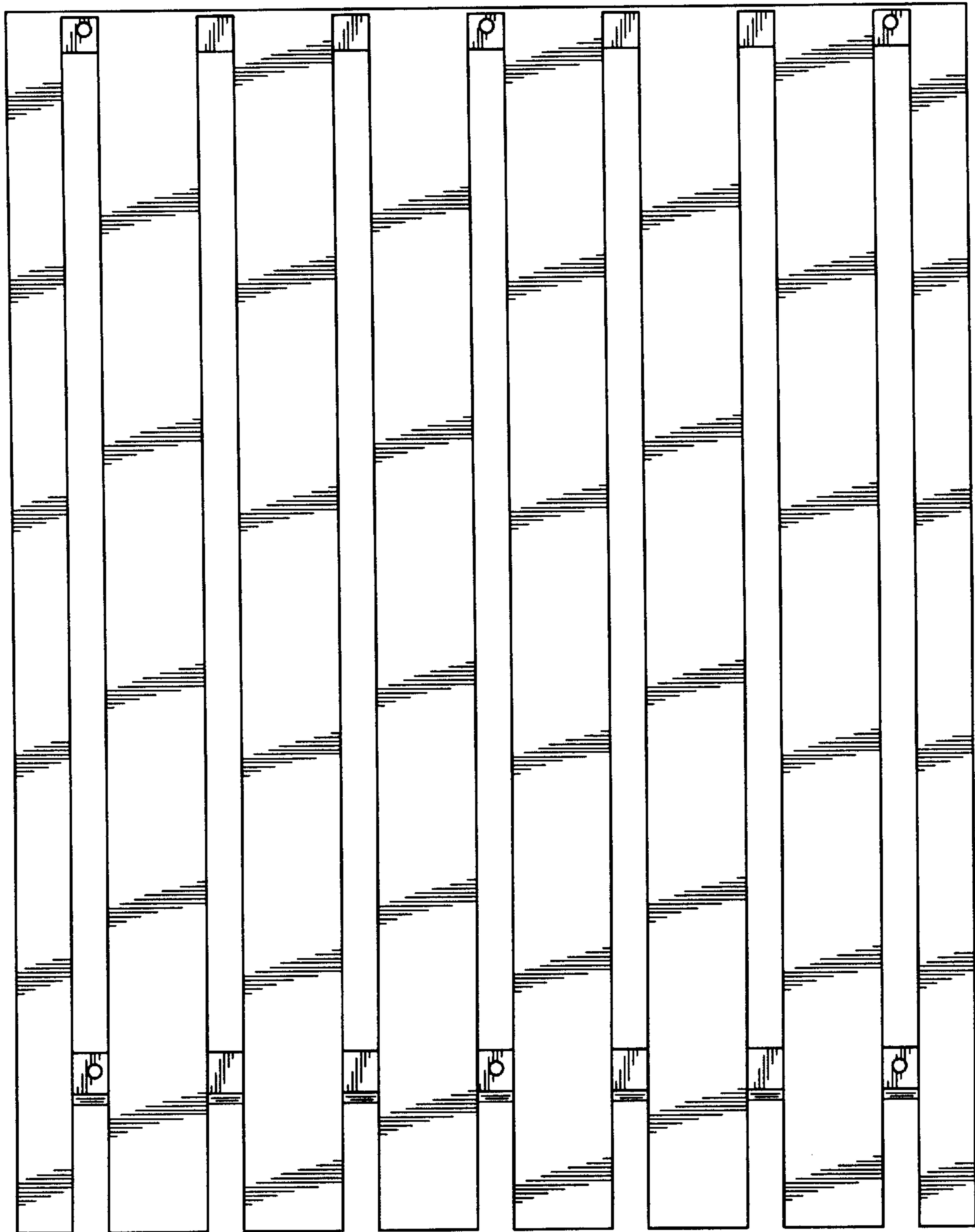


Figure - 8