



US00D459122S

(12) **United States Design Patent**
Maitland-Smith

(10) **Patent No.:** **US D459,122 S**

(45) **Date of Patent:** **** Jun. 25, 2002**

(54) **TABLE TOP**

D252,242 S * 7/1979 Nicolson D6/451
D263,536 S * 3/1982 Adkinson D6/486

(75) Inventor: **Paul Maitland-Smith**, Ho Chi Minh
(VN)

* cited by examiner

(73) Assignee: **Statecraft International Inc.**, Port Vila
(VU)

Primary Examiner—Janice E. Seeger

(74) *Attorney, Agent, or Firm*—Womble Carlyle Sandridge
& Rice, PLLC

(**) Term: **14 Years**

(57) **CLAIM**

(21) Appl. No.: **29/140,769**

The ornamental design for a table top, as shown and described.

(22) Filed: **Apr. 24, 2001**

DESCRIPTION

(51) **LOC (7) Cl.** **06-06**

(52) **U.S. Cl.** **D6/511**

(58) **Field of Search** D6/480–489, 511,
D6/432, 451; 108/150, 151, 153.1, 155,
156, 157, 161

FIG. 1 is a top plan view of a table top showing my new design;

FIG. 2 is a side elevational view, the opposite side being a mirror image thereof;

FIG. 3 is a perspective view thereof; and,

FIG. 4 is a top plan view with a representation of a design shown in dashed lines thereof.

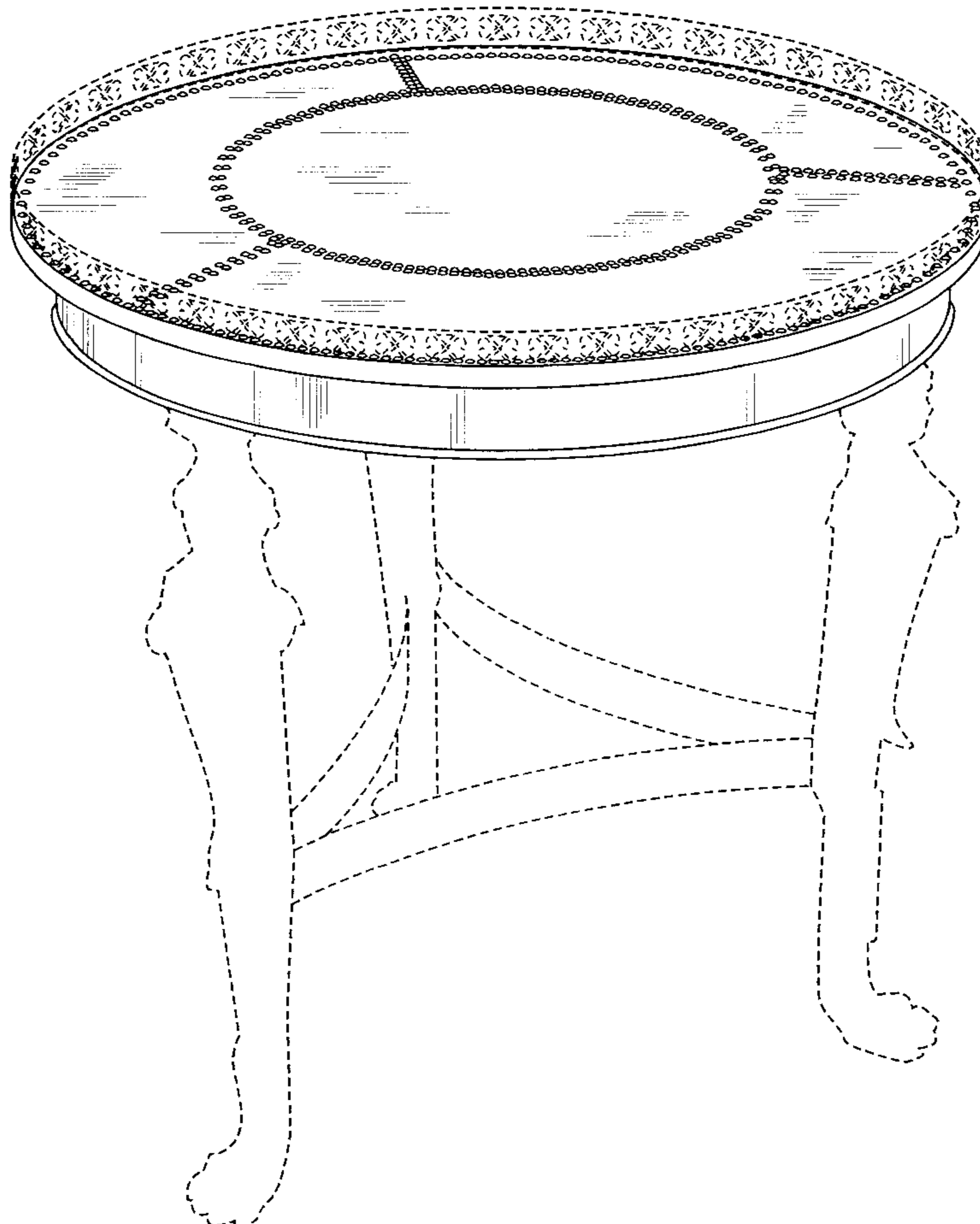
(56) **References Cited**

U.S. PATENT DOCUMENTS

D76,830 S * 11/1928 Terr D6/451
D128,488 S * 7/1941 Gunder D6/486
D130,483 S * 11/1941 Lindberg D6/486

The bottom view is not shown and forms no part of the claimed design. The dashed lines represent environmental elements only and form no part of the claimed design.

1 Claim, 4 Drawing Sheets



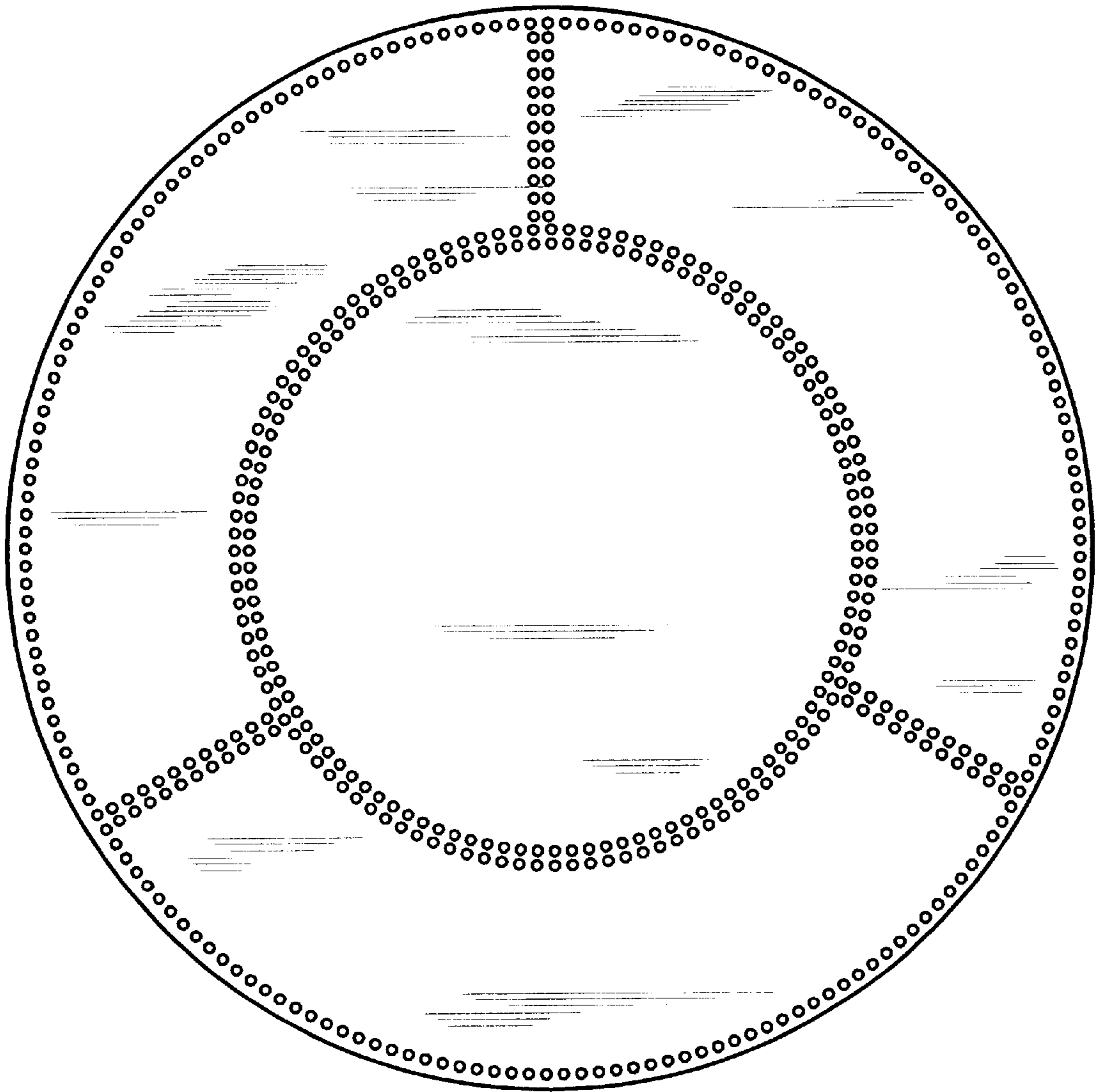


FIG. 1

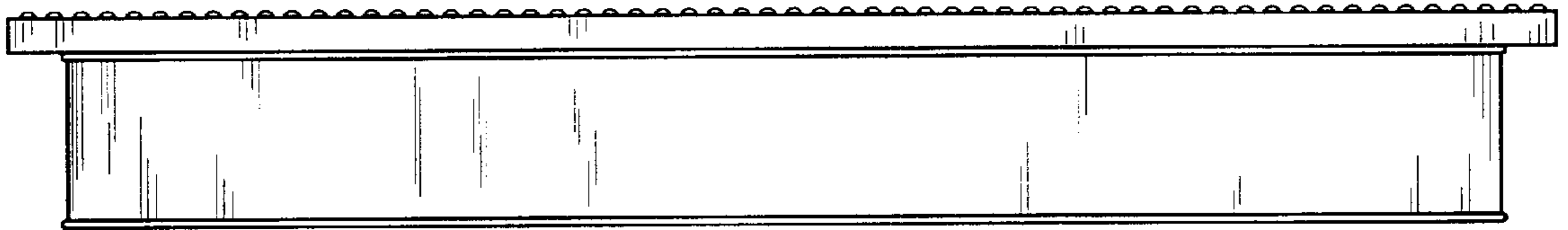


FIG. 2

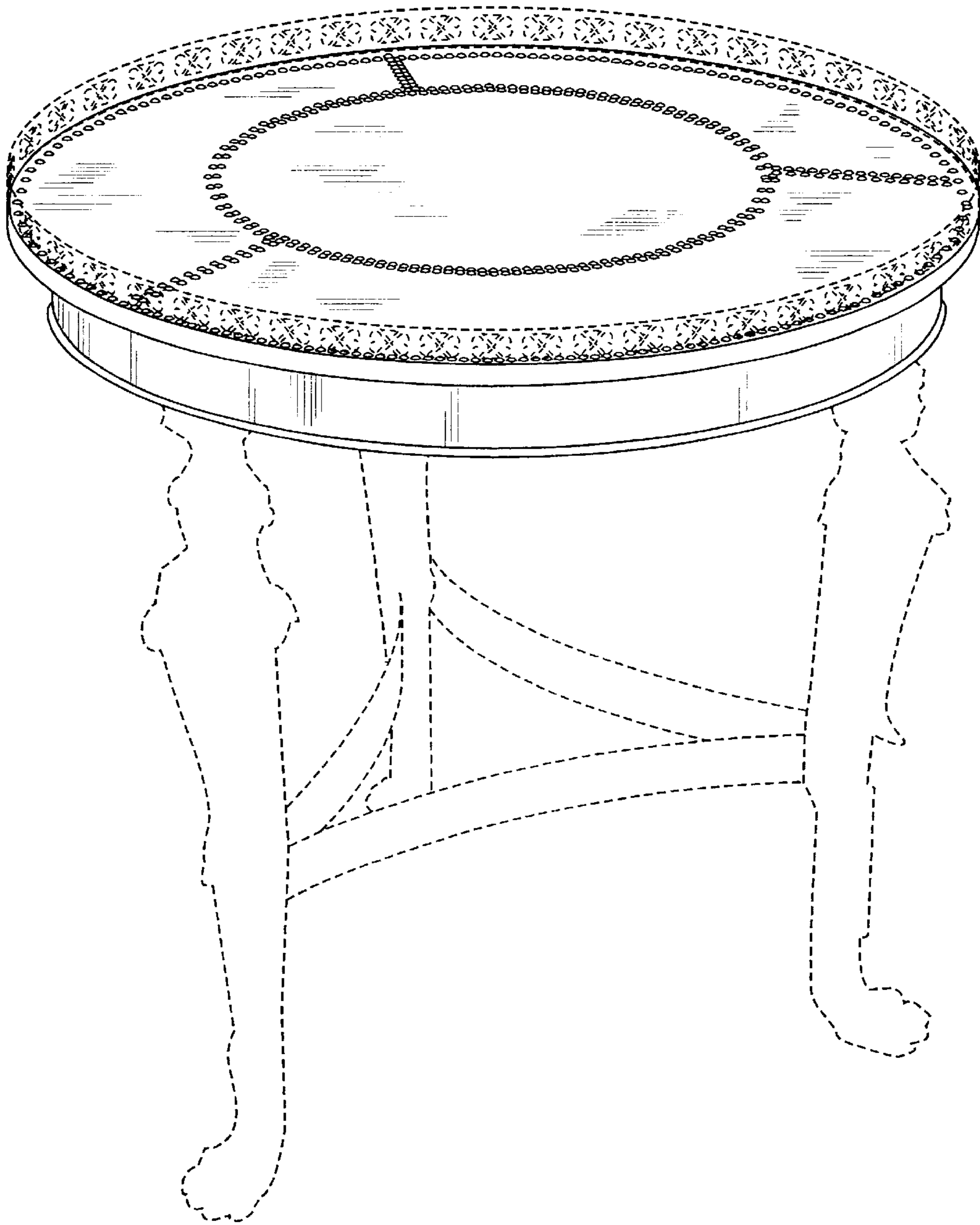


FIG. 3

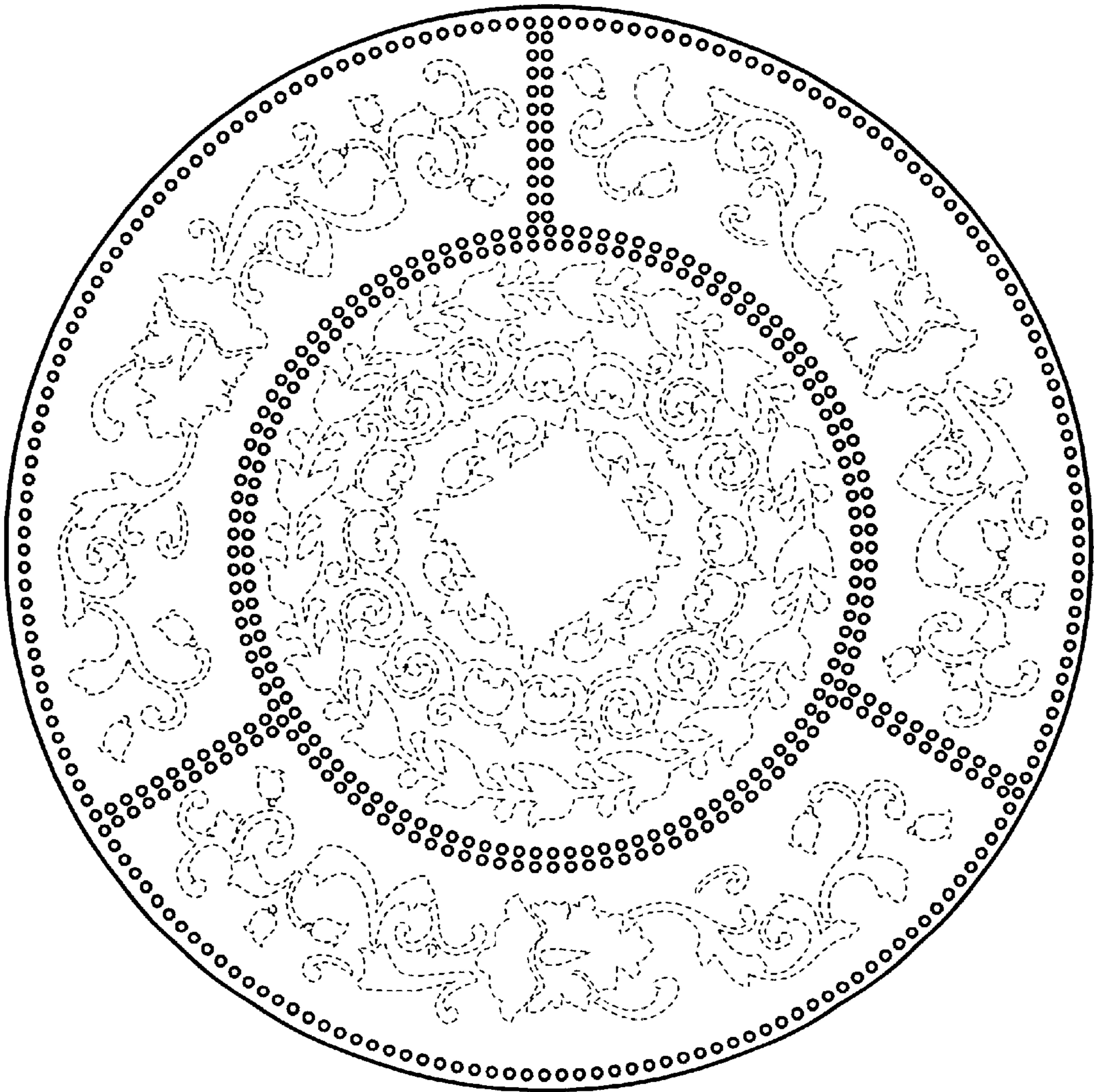


FIG. 4