



US00D459120S

(12) **United States Design Patent**  
**Stanton**

(10) **Patent No.:** **US D459,120 S**

(45) **Date of Patent:** **\*\* Jun. 25, 2002**

(54) **FOOTBOARD**

D443,432 S \* 6/2001 Vaaler ..... D6/393  
D449,939 S \* 11/2001 Vaaler ..... D6/393

(75) **Inventor:** **Shawn Christopher Stanton**, High Point, NC (US)

\* cited by examiner

(73) **Assignee:** **Thomasville Furniture Industries, Inc.**, Thomasville, NC (US)

*Primary Examiner*—Janice E. Seeger  
(74) *Attorney, Agent, or Firm*—Womble Carlyle Sandridge & Rice, PLLC

(\*\*) **Term:** **14 Years**

(57) **CLAIM**

(21) **Appl. No.:** **29/147,561**

The ornamental design for a footboard, as shown and described.

(22) **Filed:** **Aug. 30, 2001**

**DESCRIPTION**

(51) **LOC (7) Cl.** ..... **06-06**

(52) **U.S. Cl.** ..... **D6/505**

(58) **Field of Search** ..... D6/382, 389, 392–395, D6/505–508; 5/53.1, 279.1, 280, 281, 907

FIG. 1 is a left front perspective view of a footboard showing my new design;  
FIG. 2 is a side elevational view, the opposite side being a mirror image thereof;  
FIG. 3 is a front elevational view thereof; and,  
FIG. 4 is a top view thereof.

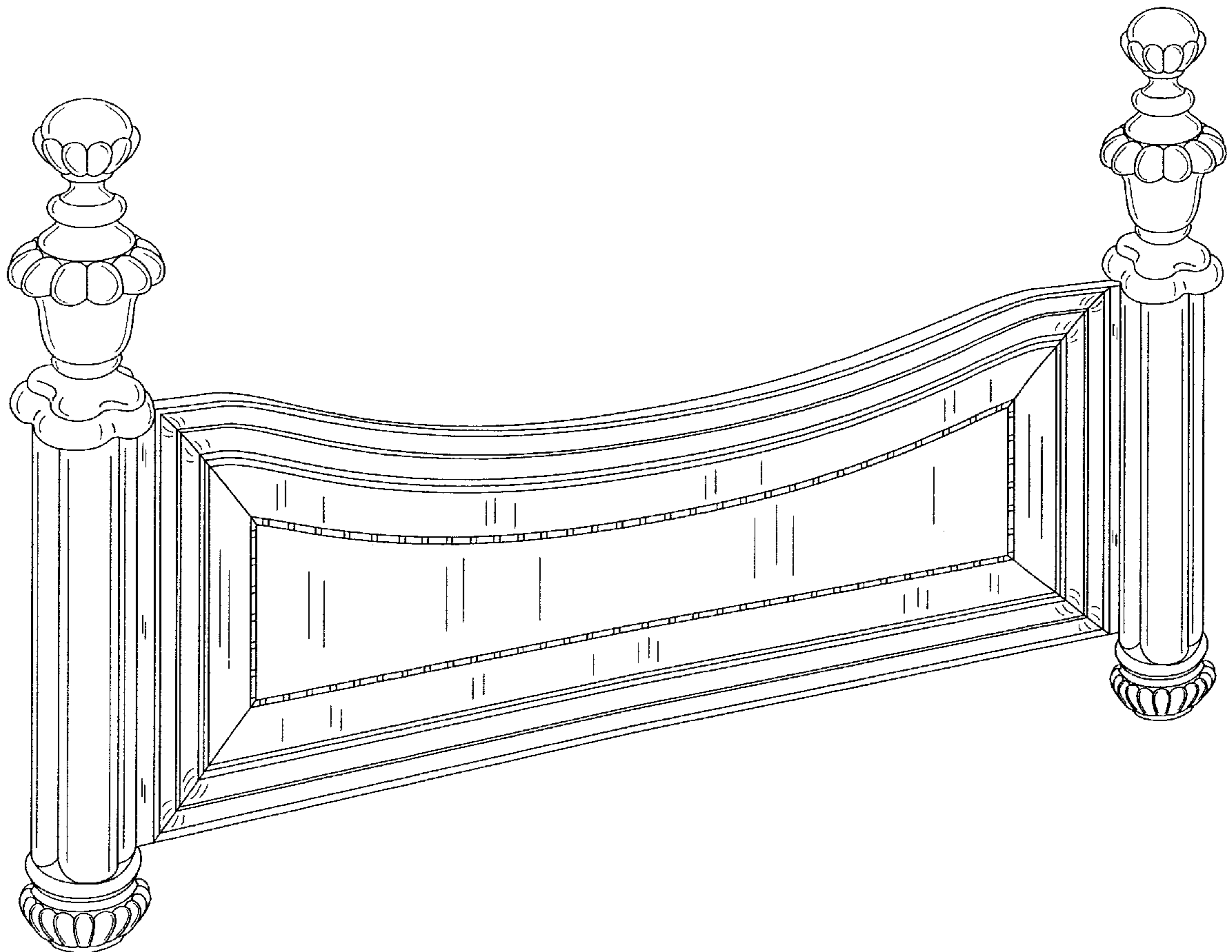
(56) **References Cited**

**U.S. PATENT DOCUMENTS**

D423,246 S 4/2000 Cain ..... D6/393  
D435,357 S \* 12/2000 Craig ..... D6/389

The bottom and rear views of the footboard are not shown and form no part of the claimed design.

**1 Claim, 4 Drawing Sheets**



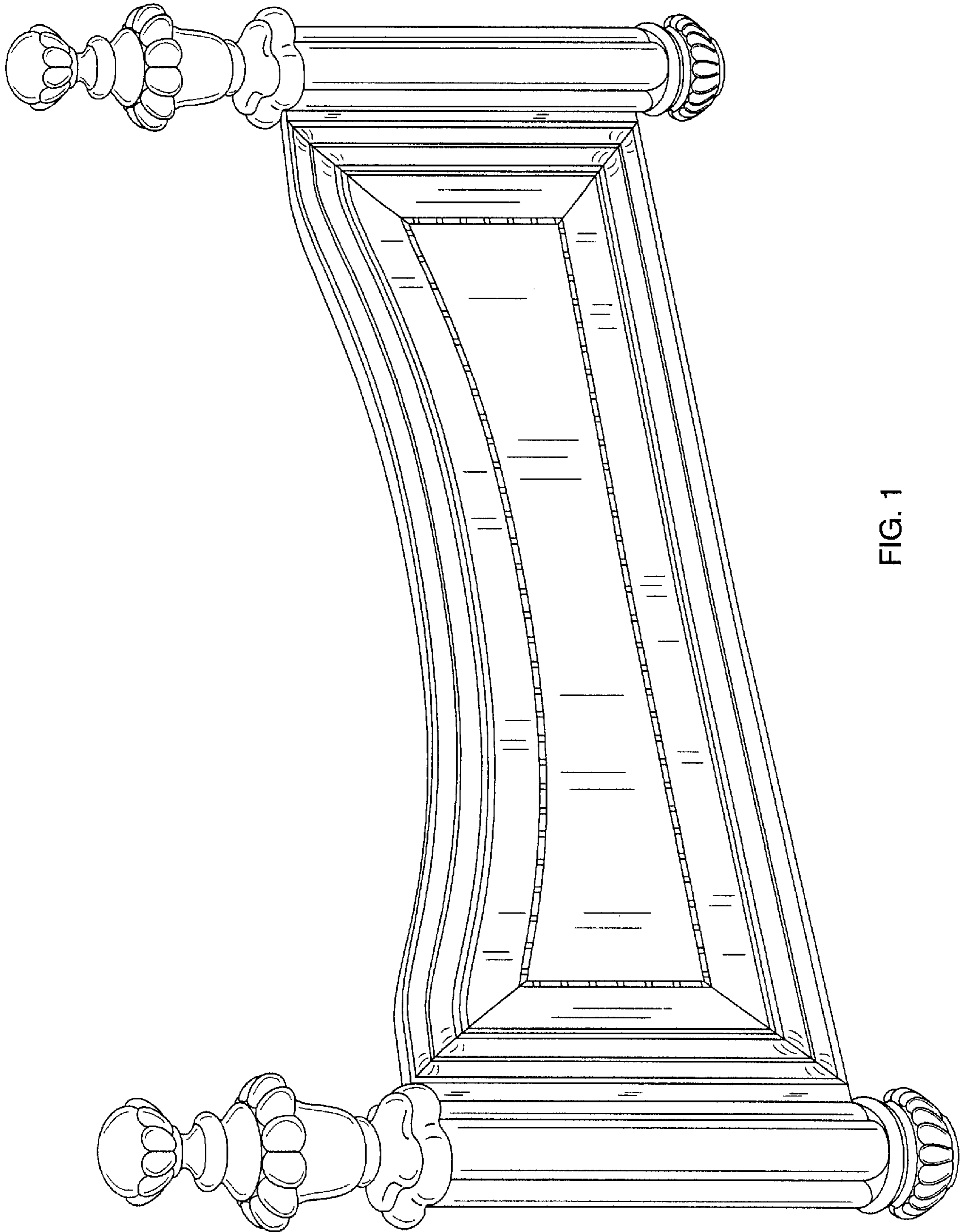


FIG. 1

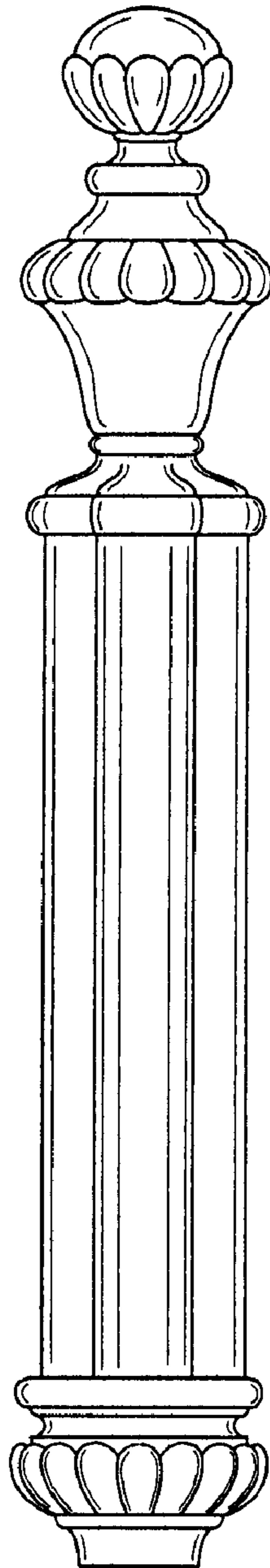


FIG. 2

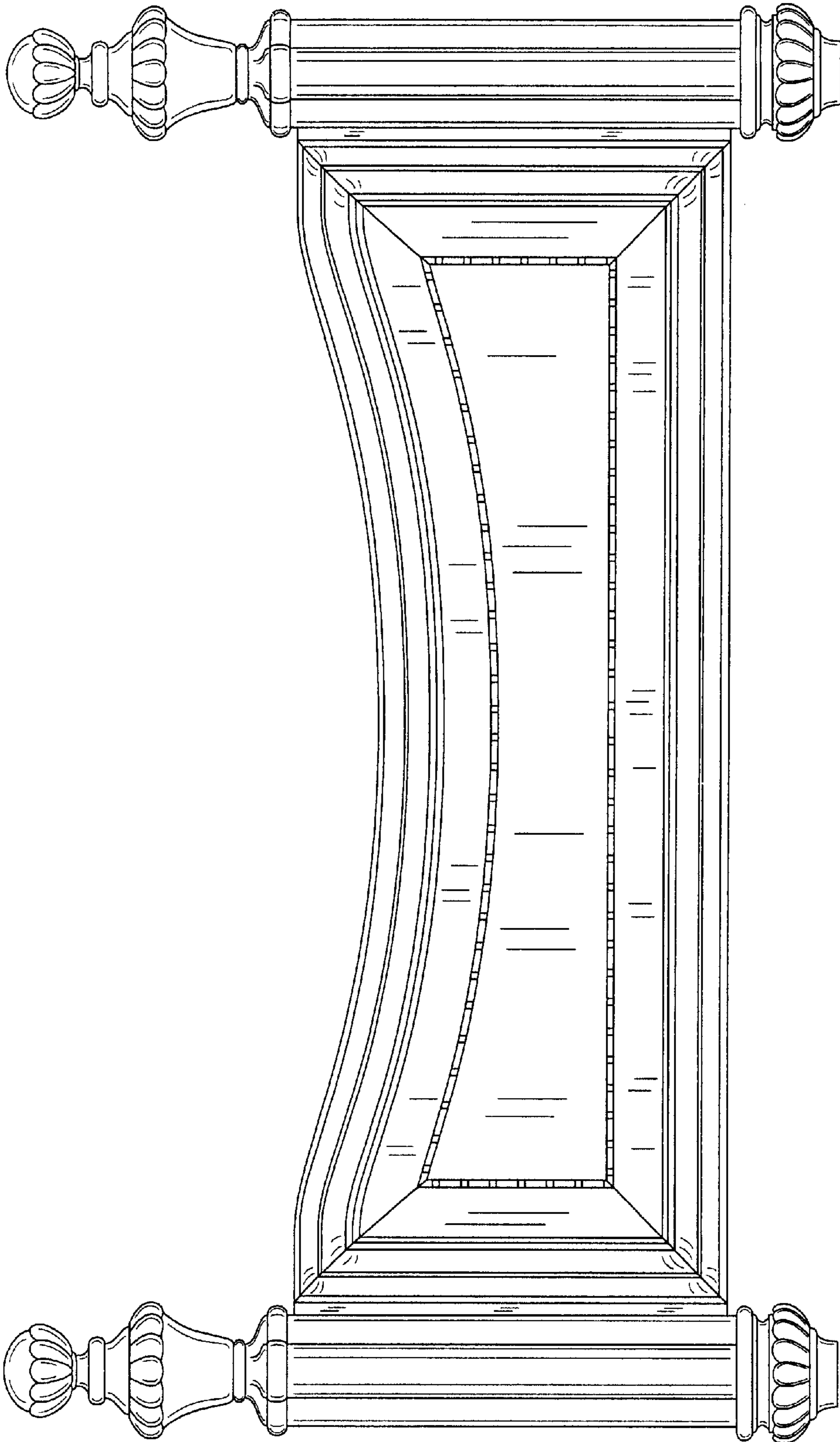


FIG. 3

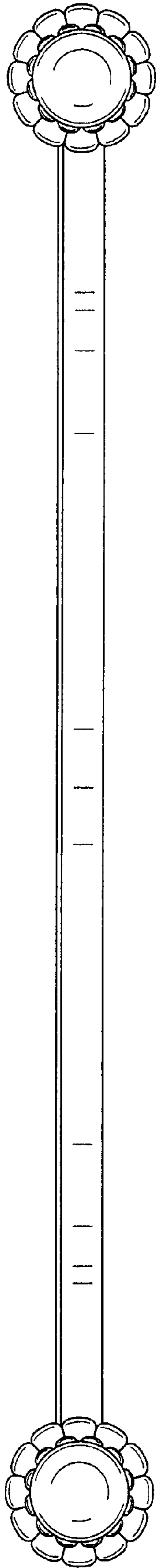


FIG. 4