



US00D459119S

(12) **United States Design Patent**
Brooke

(10) **Patent No.:** **US D459,119 S**

(45) **Date of Patent:** **** Jun. 25, 2002**

- (54) **SIDERAIL SUPPORT ARM**
- (75) Inventor: **Jason C. Brooke**, Mt. Pleasant, SC
(US)
- (73) Assignee: **Hill-Rom Services, Inc.**, Wilmington,
DE (US)
- (**) Term: **14 Years**
- (21) Appl. No.: **29/139,750**
- (22) Filed: **Apr. 5, 2001**
- (51) **LOC (7) Cl.** **06-01**
- (52) **U.S. Cl.** **D6/503**
- (58) **Field of Search** D6/382, 392-395,
D6/505-508, 503, 491, 370; 5/501, 662,
174, 177-180, 600, 611-614, 286, 732,
424, 425, 428; 297/232

- 4,622,705 A * 11/1986 Joubert 5/93.1
- 4,646,211 A 2/1987 Gallant et al.
- 4,653,129 A 3/1987 Kuck et al.
- D289,951 S 5/1987 Goodwin
- 4,676,687 A 6/1987 Koffler
- 4,724,555 A 2/1988 Poehner et al.
- 4,745,647 A 5/1988 Goodwin
- 4,827,545 A 5/1989 Arp
- 4,847,929 A 7/1989 Pupovic
- 4,912,787 A 4/1990 Bradcovich
- 4,935,968 A 6/1990 Hunt et al.
- 4,985,946 A 1/1991 Foster et al.
- 4,998,939 A 3/1991 Potthast et al.
- 5,023,967 A 6/1991 Ferrand
- 5,035,014 A 7/1991 Blanchard

(List continued on next page.)

OTHER PUBLICATIONS

Paramount Bed; catalog pp. 1-63; date unknown.

Primary Examiner—Janice E. Seeger

(74) *Attorney, Agent, or Firm*—Bose McKinney & Evans
LLP

(56) **References Cited**
U.S. PATENT DOCUMENTS

- 421,656 A 2/1890 Blanken
- 1,351,995 A * 9/1920 Cornish 297/232
- 2,136,088 A 11/1938 Stevens
- 2,587,291 A 2/1952 Rochers
- 2,722,017 A 11/1955 Burst et al.
- 2,747,919 A 5/1956 Ferneau et al.
- 3,018,492 A 1/1962 Rosen
- 3,321,779 A 5/1967 Kaufman et al.
- 3,506,989 A 4/1970 Ross et al.
- 3,585,659 A 6/1971 Burst et al.
- 3,806,109 A 4/1974 Weber et al.
- 3,905,591 A 9/1975 Schorr et al.
- 3,932,903 A 1/1976 Adams et al.
- 4,183,015 A 1/1980 Drew et al.
- 4,186,456 A 2/1980 Huempfer
- 4,214,326 A 7/1980 Spann
- 4,215,446 A 8/1980 Mahoney
- 4,439,880 A 4/1984 Koncelik et al.
- 4,592,104 A 6/1986 Foster et al.

(57) **CLAIM**

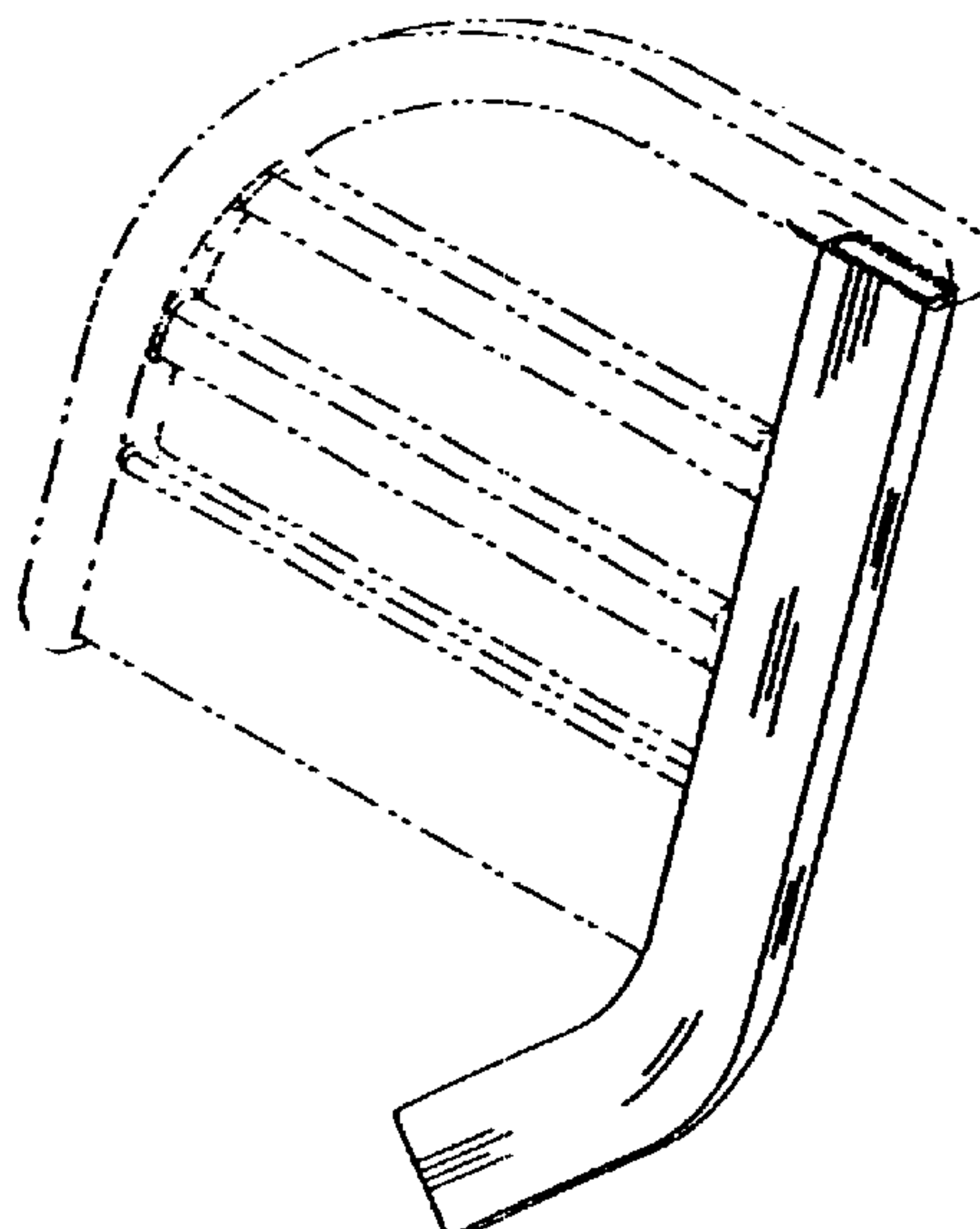
The ornamental design for a siderail support arm, as shown and described.

DESCRIPTION

FIG. 1 is a perspective view of a siderail support arm; FIG. 2 is a side elevation view of thereof; FIG. 3 is another side elevation view thereof; FIG. 4 is a side elevation view thereof; FIG. 5 is another side elevation view thereof; FIG. 6 is a top plan view thereof; and, FIG. 7 is a bottom plan view thereof.

The broken lines are for environmental purposes only and form no part of the claimed design.

1 Claim, 2 Drawing Sheets



US D459,119 S

Page 2

U.S. PATENT DOCUMENTS

5,072,463 A	12/1991	Willis	5,481,772 A	1/1996	Glynn et al.
5,077,843 A	1/1992	Dale et al.	5,513,406 A	5/1996	Foster et al.
5,083,334 A	1/1992	Huck et al.	5,542,138 A	8/1996	Williams et al.
5,084,925 A	2/1992	Cook	5,577,277 A	11/1996	Sundberg et al.
5,117,521 A	6/1992	Foster et al.	5,586,346 A	12/1996	Stacy et al.
5,121,513 A	6/1992	Thomas et al.	5,623,736 A	4/1997	Soltani et al.
5,129,117 A	7/1992	Celestina et al.	5,682,631 A	11/1997	Weismiller et al.
5,179,744 A	1/1993	Foster et al.	5,689,839 A	11/1997	Laganiere et al.
D336,577 S	6/1993	Celestina et al.	5,774,914 A	7/1998	Johnson et al.
D336,578 S	6/1993	Celestina	5,781,945 A	7/1998	Scherer et al.
5,216,768 A	6/1993	Bodine et al.	5,802,636 A	9/1998	Corbin et al.
5,269,030 A	12/1993	Pahno et al.	5,906,017 A	5/1999	Ferrand et al.
5,269,388 A	12/1993	Reichow et al.	6,021,533 A	2/2000	Ellis et al.
5,317,769 A	6/1994	Weismiller et al.	6,058,531 A	5/2000	Carroll
5,337,845 A	8/1994	Foster et al.	6,073,289 A	6/2000	Bolden et al.
5,370,111 A	12/1994	Reeder et al.	6,141,806 A	11/2000	Bobey et al.
5,381,571 A	1/1995	Gabhart	6,185,767 B1	2/2001	Brooke et al.
5,398,357 A	3/1995	Foster	6,240,580 B1	6/2001	Hamilton et al.
5,454,126 A	10/1995	Foster et al.	6,240,583 B1	6/2001	Brooke et al.
5,461,673 A	10/1995	Coons	D449,472 S	* 10/2001	Noll D6/501

* cited by examiner

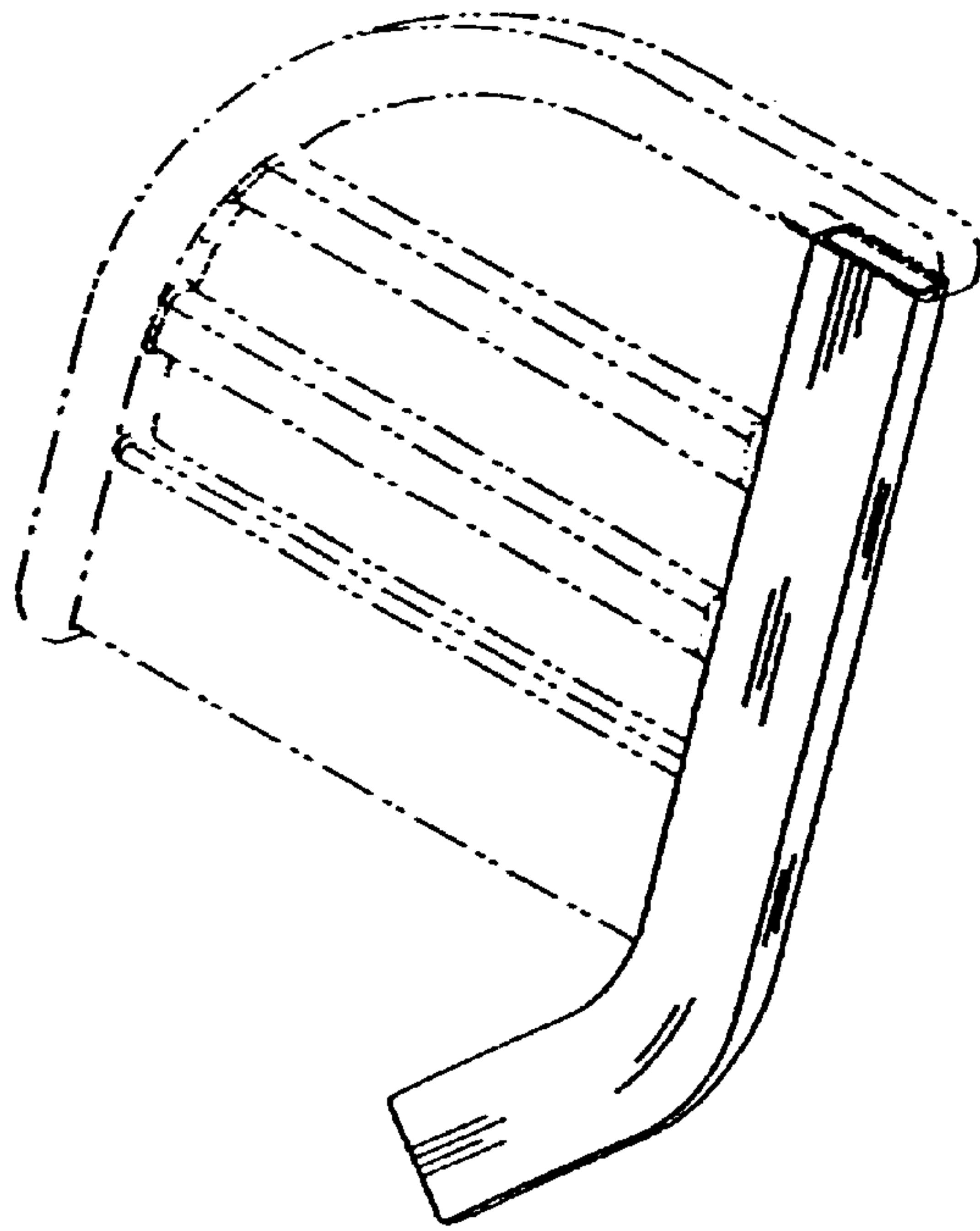


FIG. 1

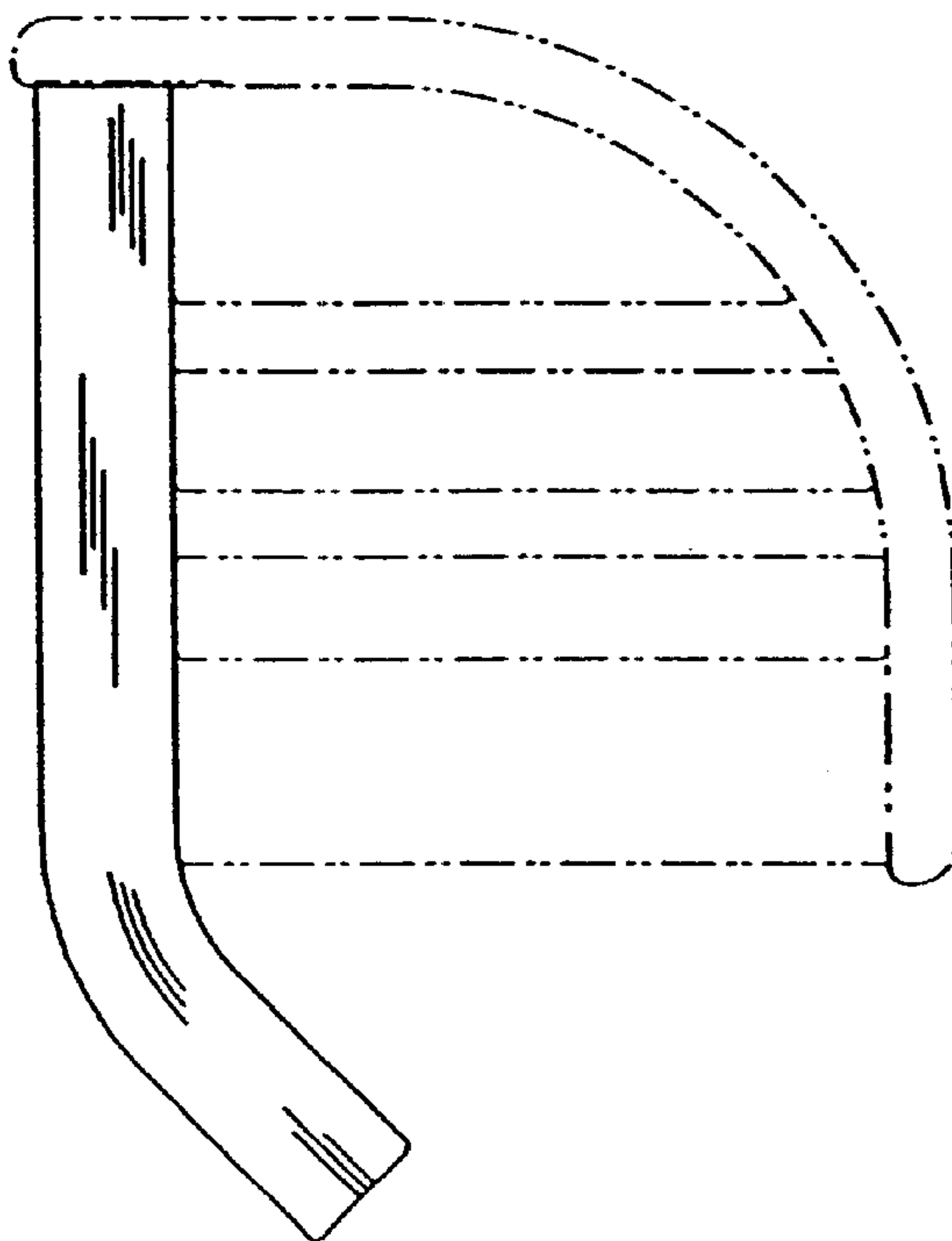


FIG. 2

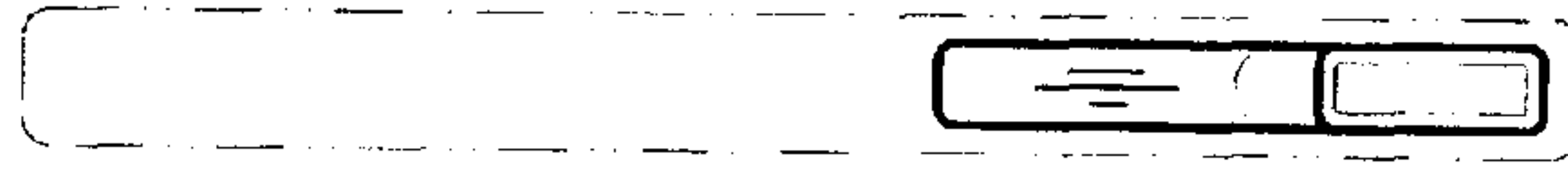


FIG. 6



FIG. 4

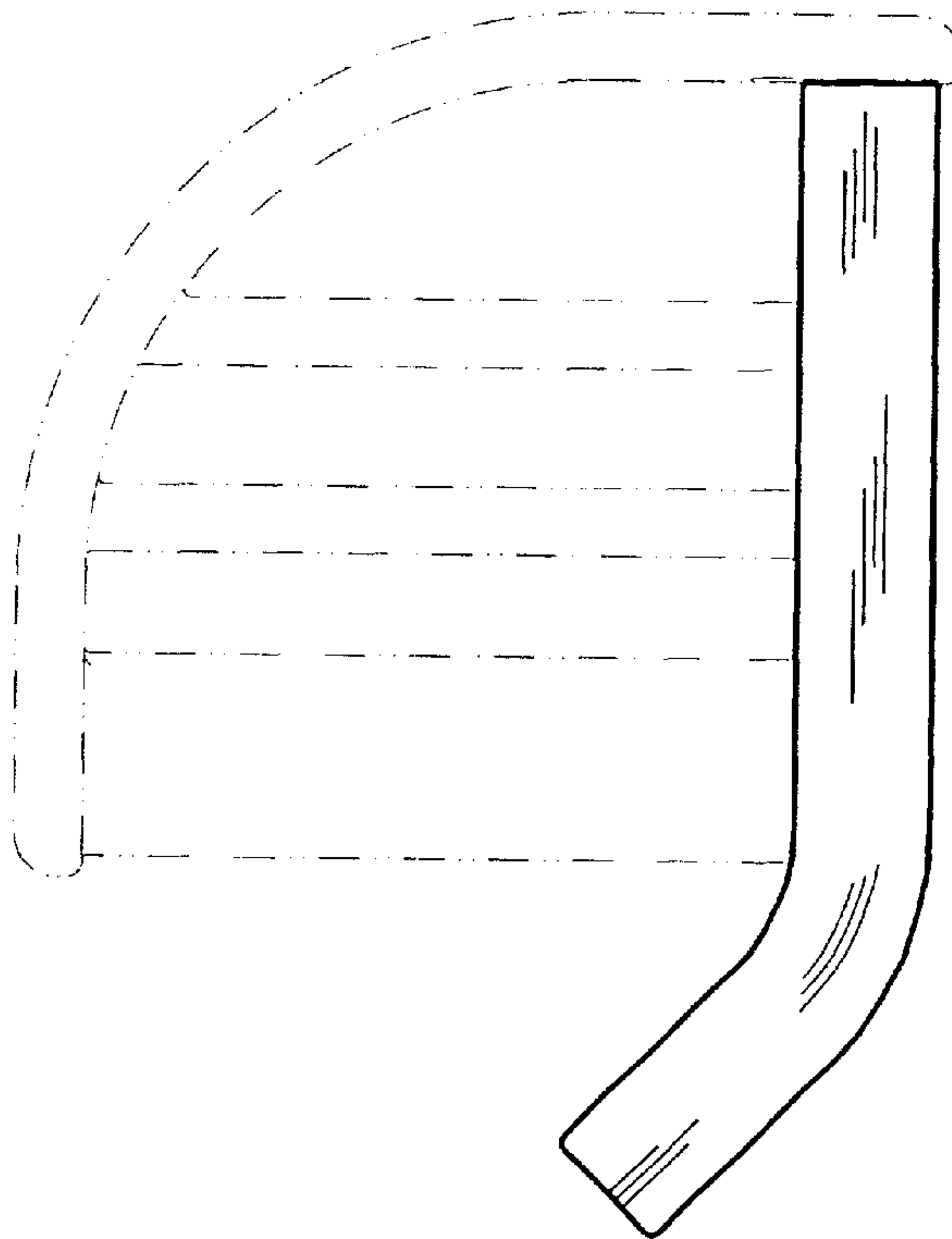


FIG. 3



FIG. 5

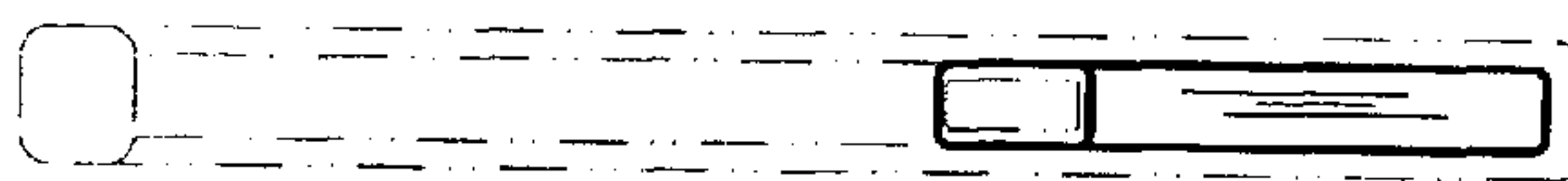


FIG. 7