



US00D459118S

(12) **United States Design Patent**
Antonioni

(10) **Patent No.:** **US D459,118 S**

(45) **Date of Patent:** **** Jun. 25, 2002**

(54) **TV STAND**

(75) **Inventor:** **Dario Cesar Antonioni**, Los Angeles,
CA (US)

(73) **Assignee:** **Elite Manufacturing Corporation**,
Santa Fe Springs, CA (US)

(**) **Term:** **14 Years**

(21) **Appl. No.:** **29/146,293**

(22) **Filed:** **Aug. 6, 2001**

(51) **LOC (7) Cl.** **06-04**

(52) **U.S. Cl.** **D6/477**

(58) **Field of Search** D6/407, 629, 630,
D6/449, 465, 477, 478, 479, 552; 108/1,
3, 59, 60, 93, 94, 96, 147.11, 147.17, 150;
211/85.3, 34, 36, 42, 50, 70, 90.01, 90.04,
115, 144, 163; 312/9.1, 9.47, 9.48, 9.52,
9.53, 9.54, 223.1

(56) **References Cited**

U.S. PATENT DOCUMENTS

D301,093 S * 5/1989 Oto D6/474 X

D402,486 S * 12/1998 Wada et al. D6/479

D403,536 S * 1/1999 Olson et al. D6/479

D451,307 S * 12/2001 Dong D6/474

* cited by examiner

Primary Examiner—Cathron C. Brooks

(74) *Attorney, Agent, or Firm*—George W. Finch

(57) **CLAIM**

The ornamental design for a TV stand, as shown.

DESCRIPTION

FIG. 1 is a perspective view showing the front side, left side,
and top of the ornamental design;

FIG. 2 is a underside view of the same;

FIG. 3 is a top plan view of the same;

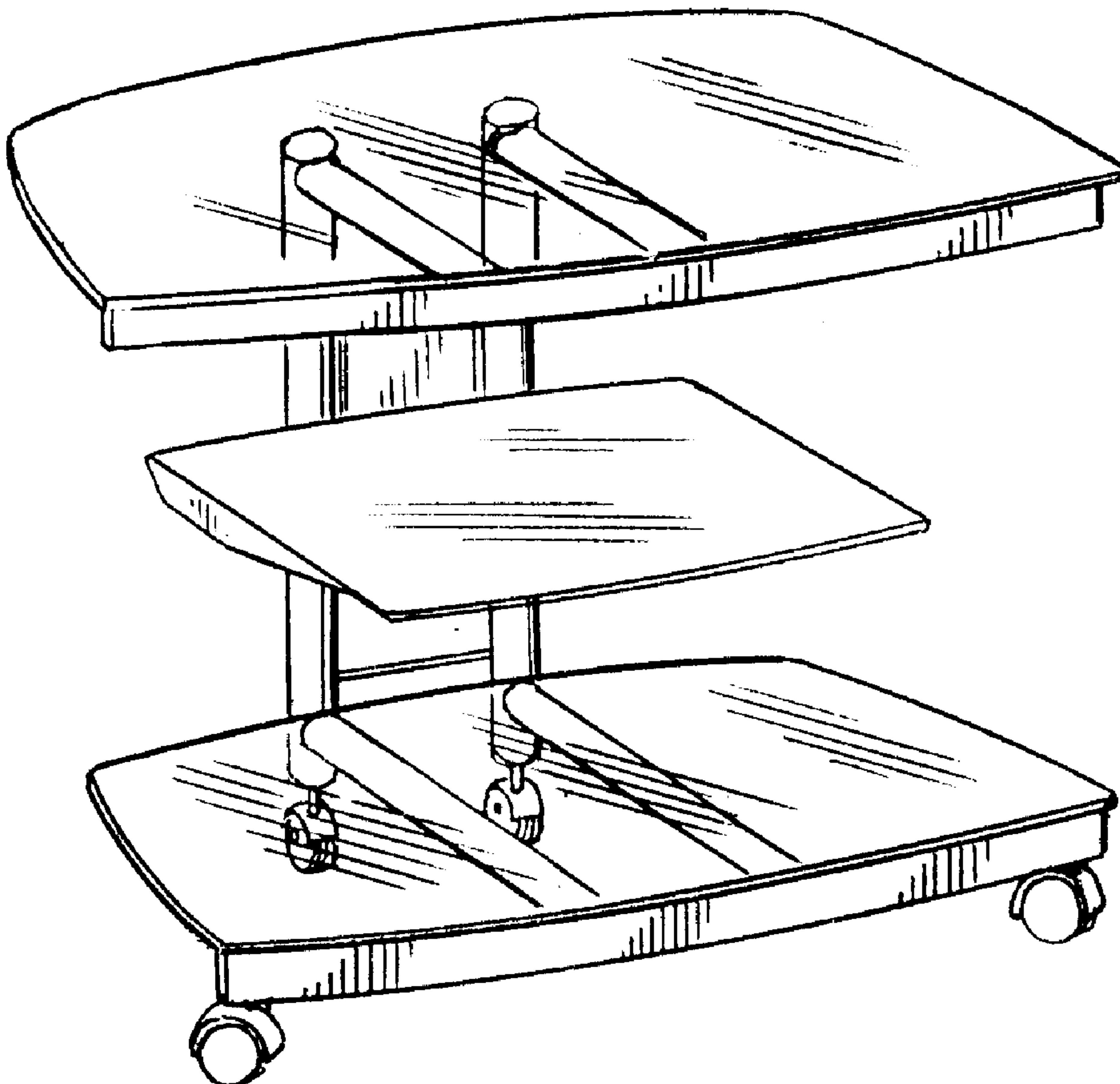
FIG. 4 is a right side elevational view of the same;

FIG. 5 is a front elevational view of the same;

FIG. 6 is a back view of the same; and,

FIG. 7 is a left side elevational view of the same.

1 Claim, 2 Drawing Sheets



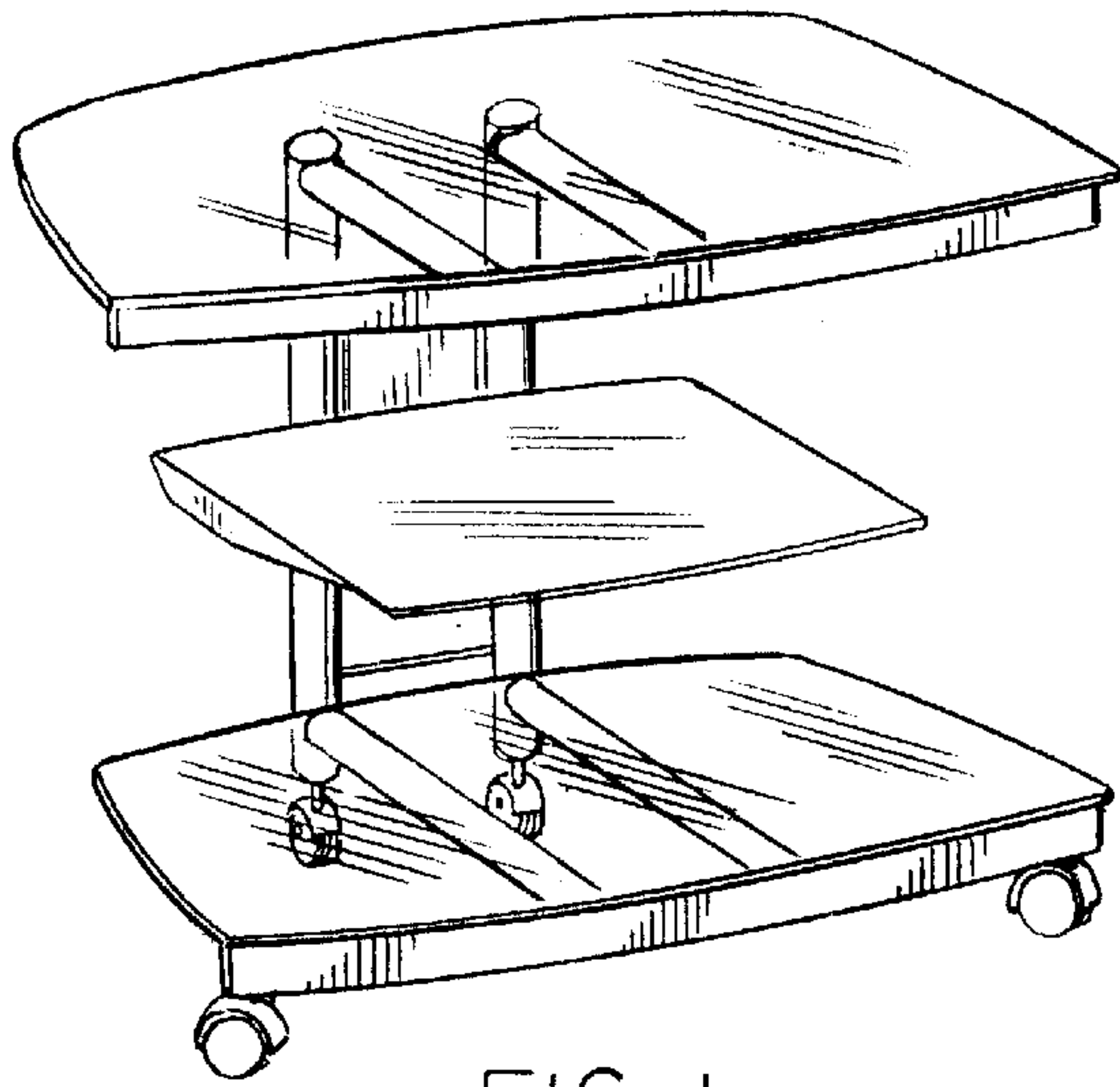


FIG. 1

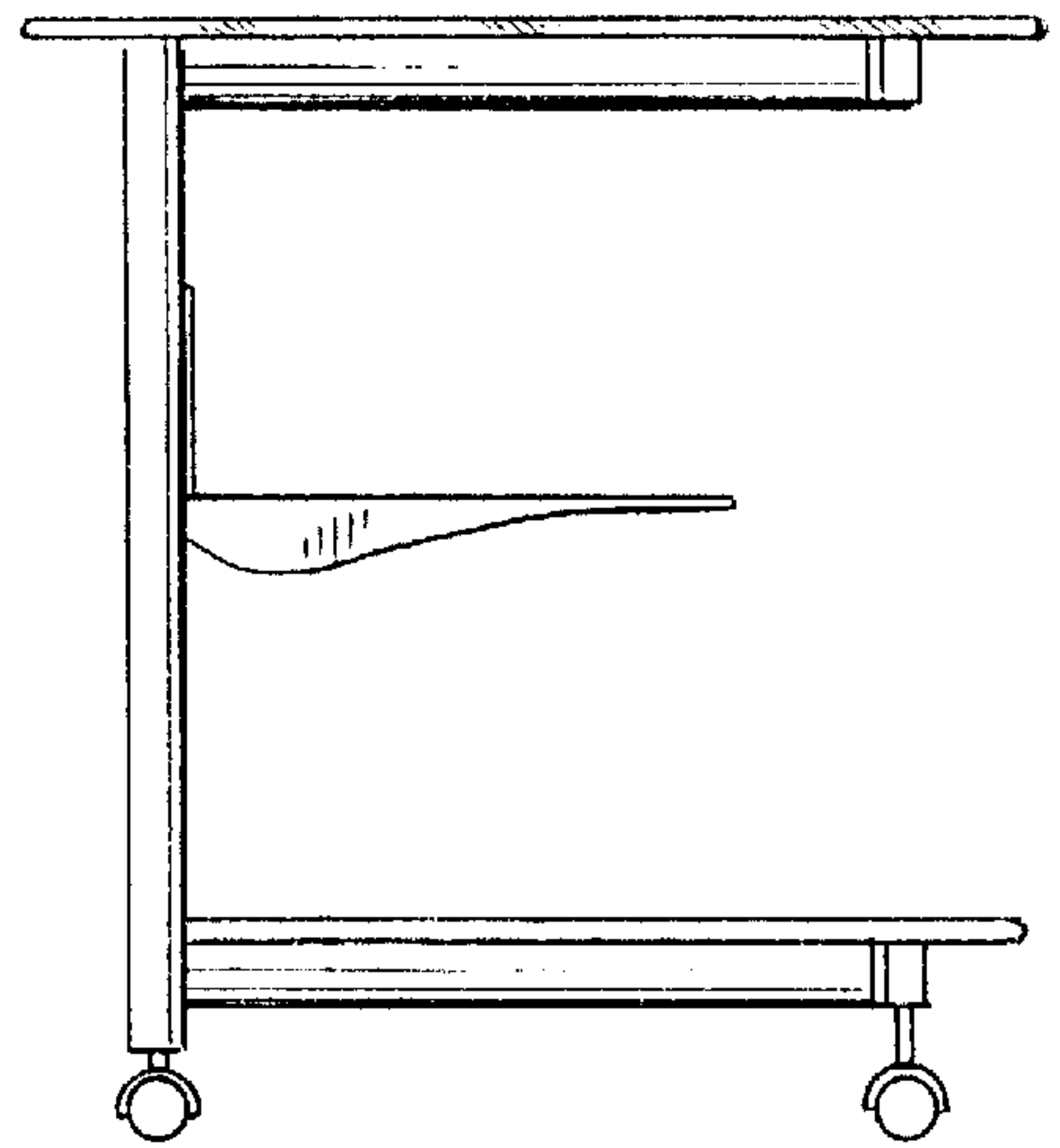


FIG. 4

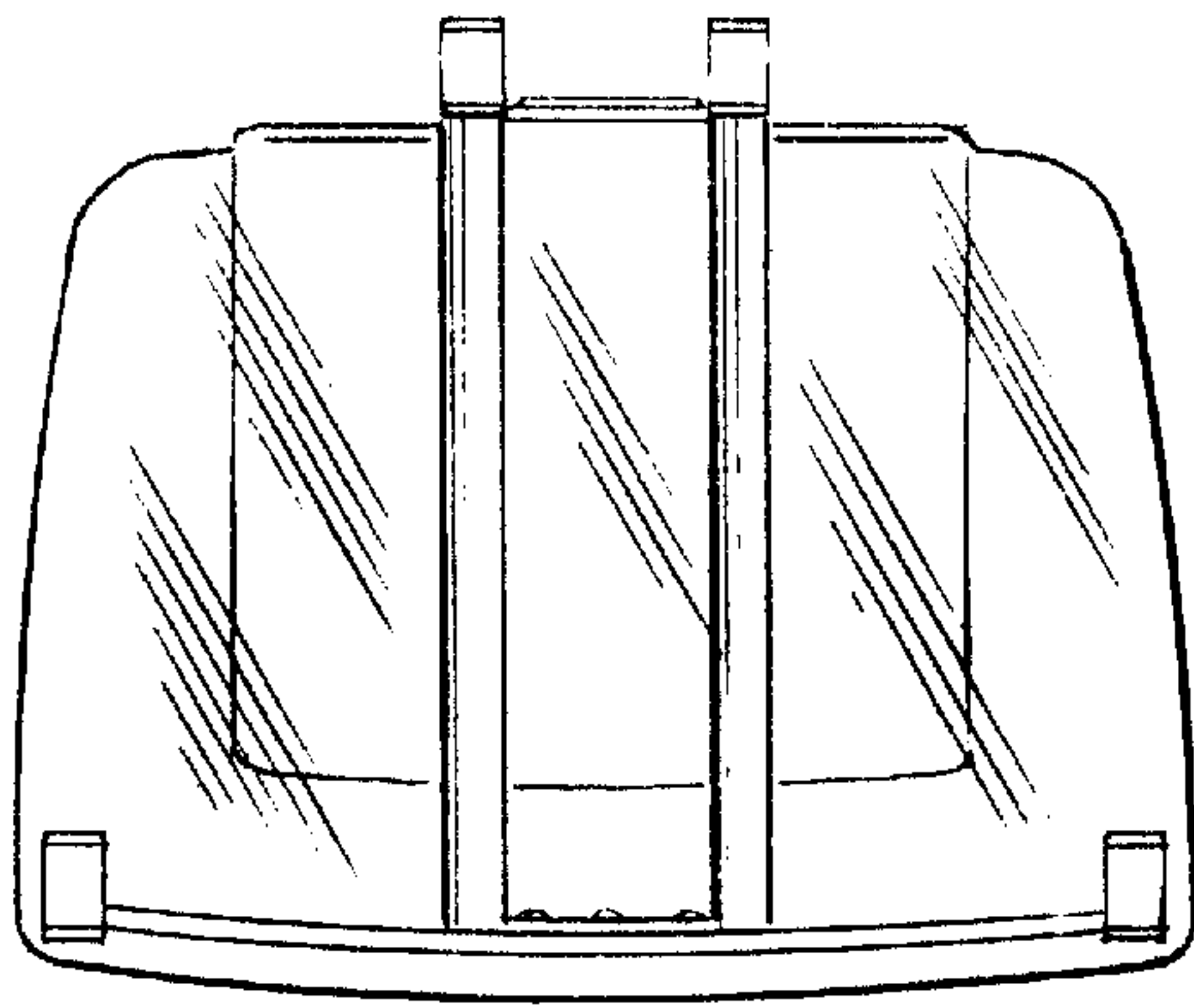


FIG. 2

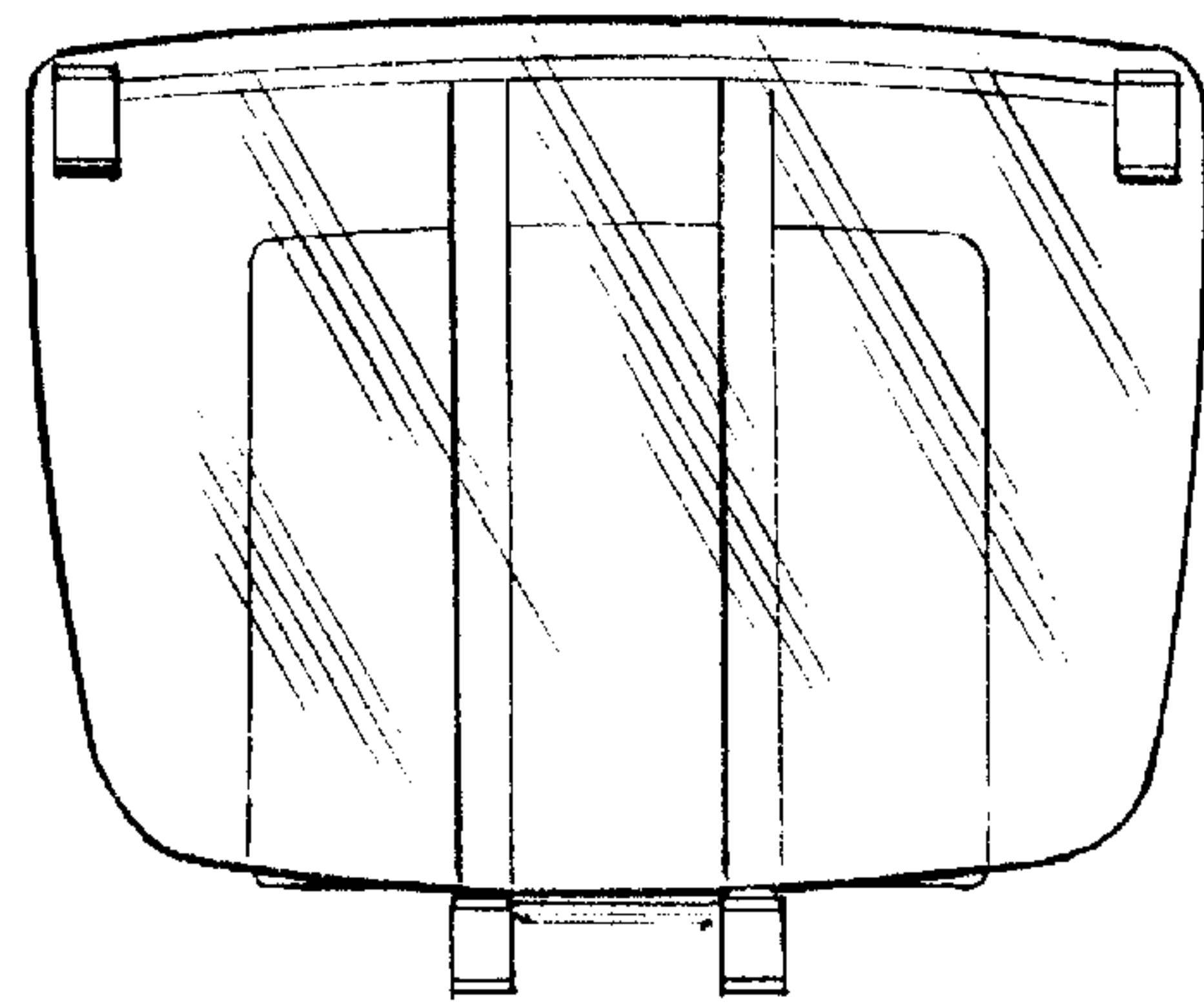


FIG. 3

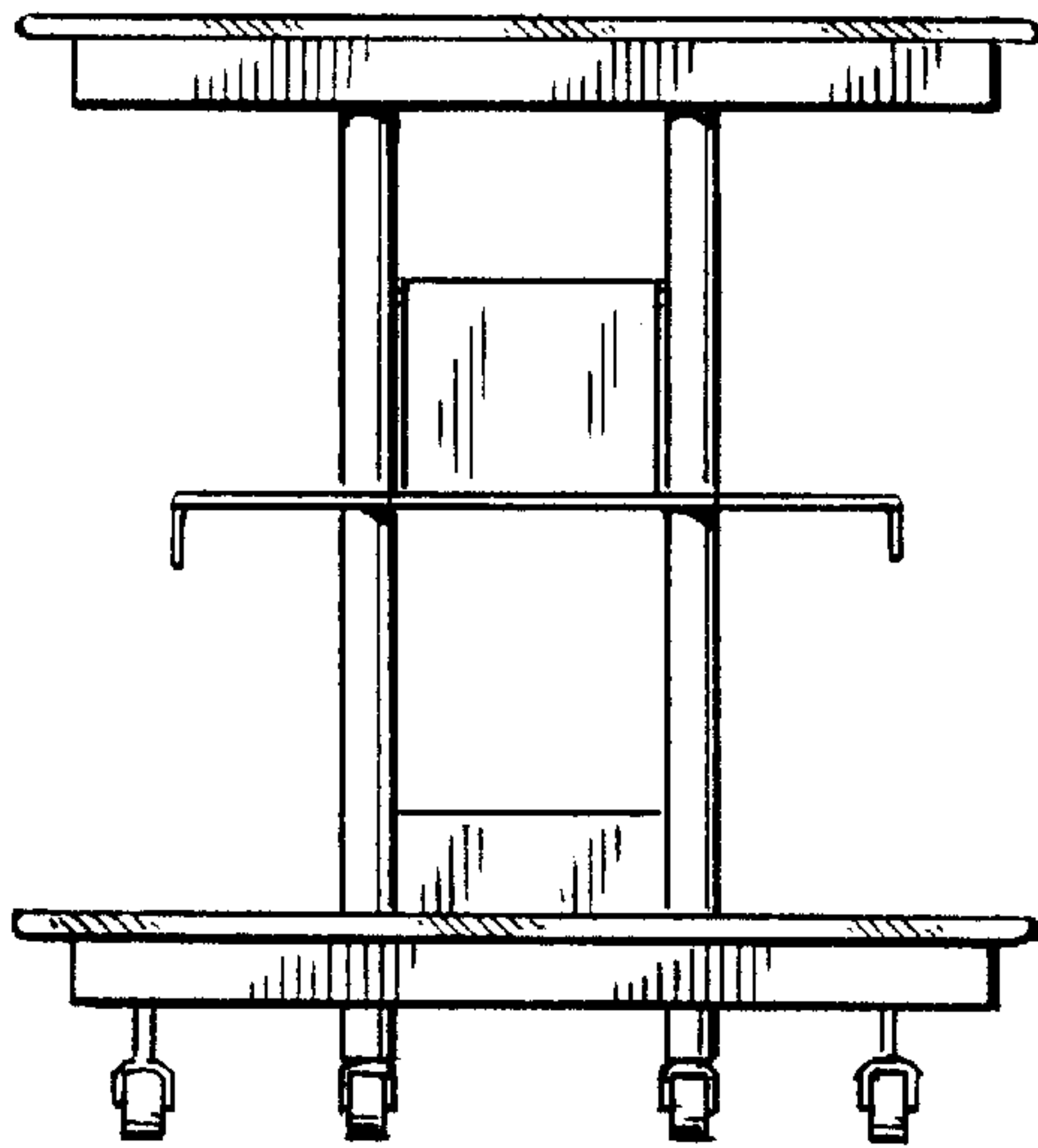


FIG. 5

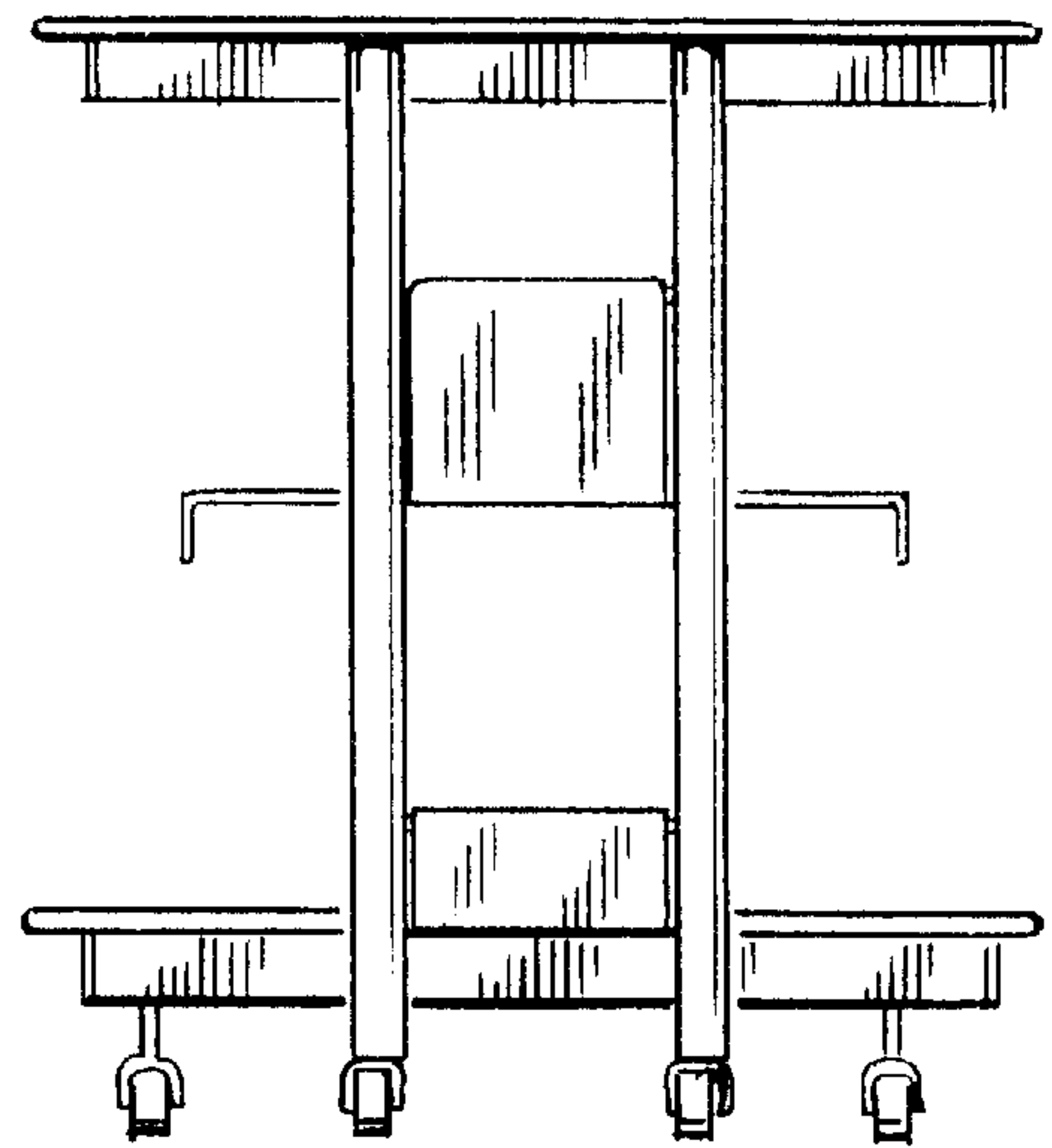


FIG. 6

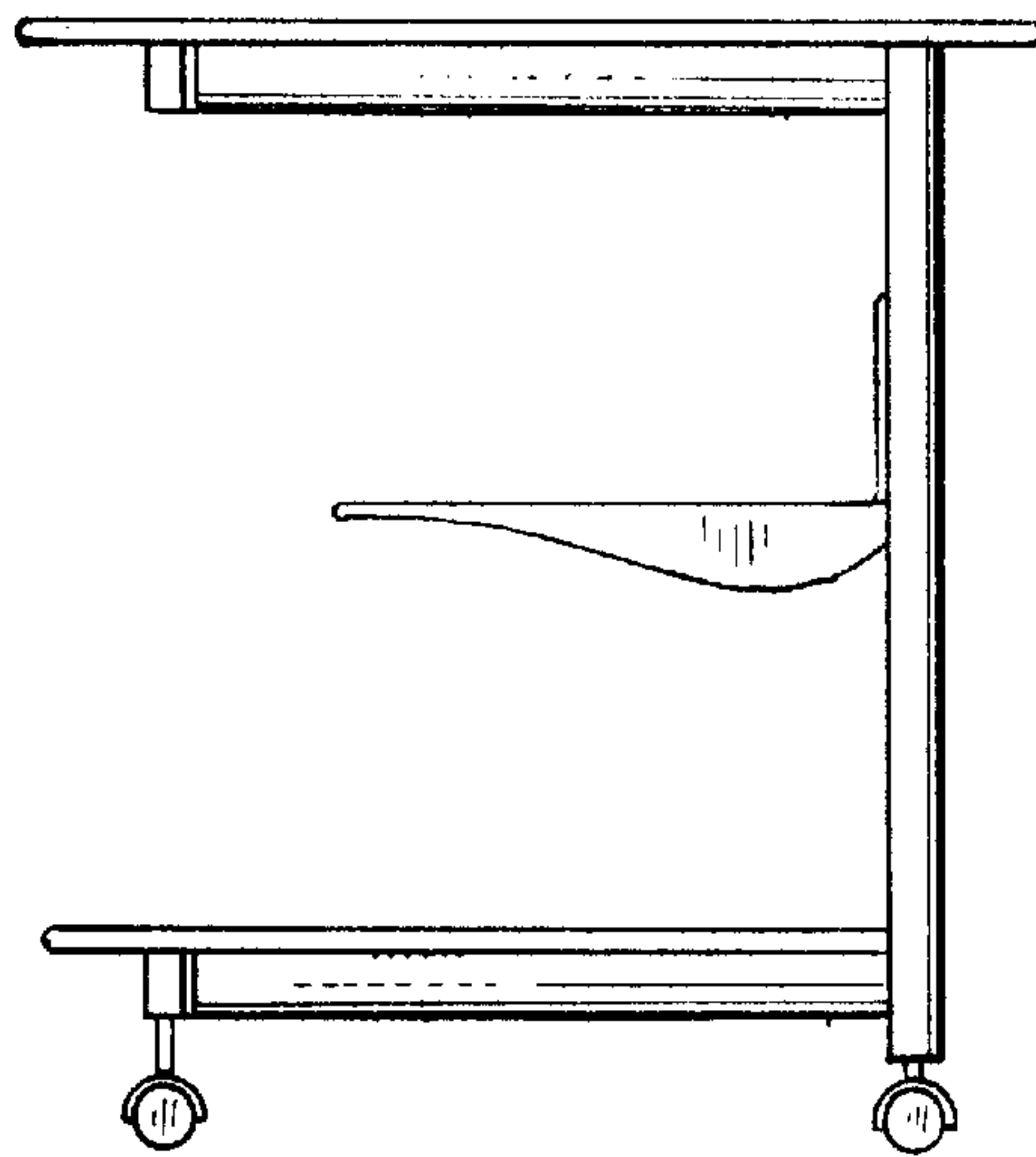


FIG. 7