



US00D459117S

(12) **United States Design Patent**  
**Singh**

(10) **Patent No.:** **US D459,117 S**

(45) **Date of Patent:** **\*\* Jun. 25, 2002**

(54) **SHELVING SYSTEM**

(76) **Inventor:** **Jagdat Singh**, 1617 Garfield St., Bronx, NY (US) 10460

(\*\*) **Term:** **14 Years**

(21) **Appl. No.:** **29/148,148**

(22) **Filed:** **Sep. 14, 2001**

(51) **LOC (7) Cl.** ..... **06-04**

(52) **U.S. Cl.** ..... **D6/474**

(58) **Field of Search** ..... D6/407, 629, 630, D6/449, 465, 477, 478, 479, 552, 474; 108/1, 3, 59, 60, 93, 94, 96, 147.11, 147.17, 150; 211/85.3, 34, 36, 42, 50, 70, 90.01, 90.04, 115, 144, 163; 312/9.1, 9.47, 9.48, 9.52, 9.53, 9.54

(56) **References Cited**

**U.S. PATENT DOCUMENTS**

D339,256 S	*	9/1993	Sielaff	.....	D6/474
D364,055 S	*	11/1995	Pakla	.....	D6/477
D364,763 S	*	12/1995	Sielaff	.....	D6/479
D383,014 S	*	9/1997	Sagol	.....	D6/479
D433,846 S	*	11/2000	Chang	.....	D6/474

\* cited by examiner

*Primary Examiner*—Cathron C. Brooks

(74) *Attorney, Agent, or Firm*—Wolf, Greenfield & Sacks, P.C.

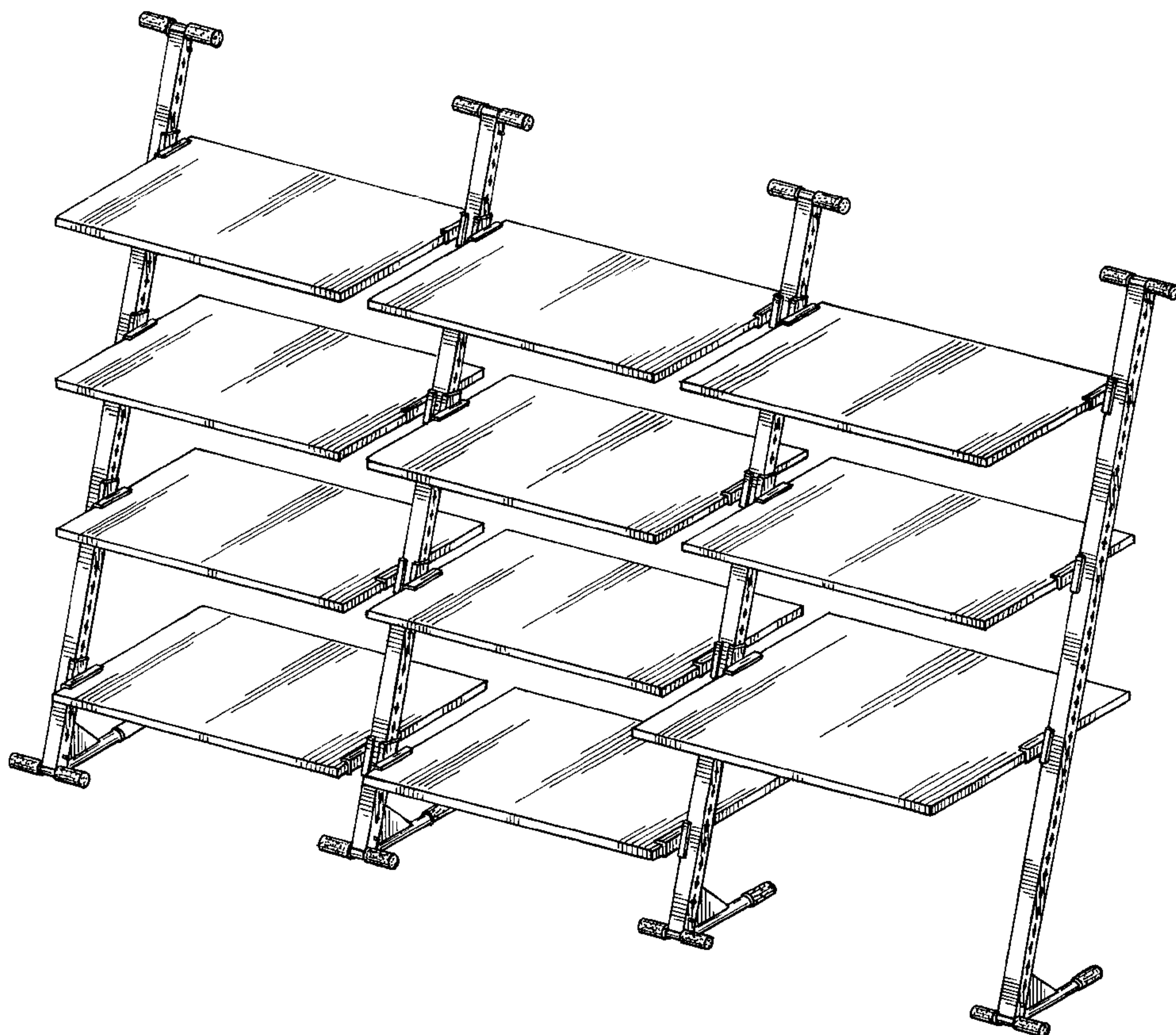
(57) **CLAIM**

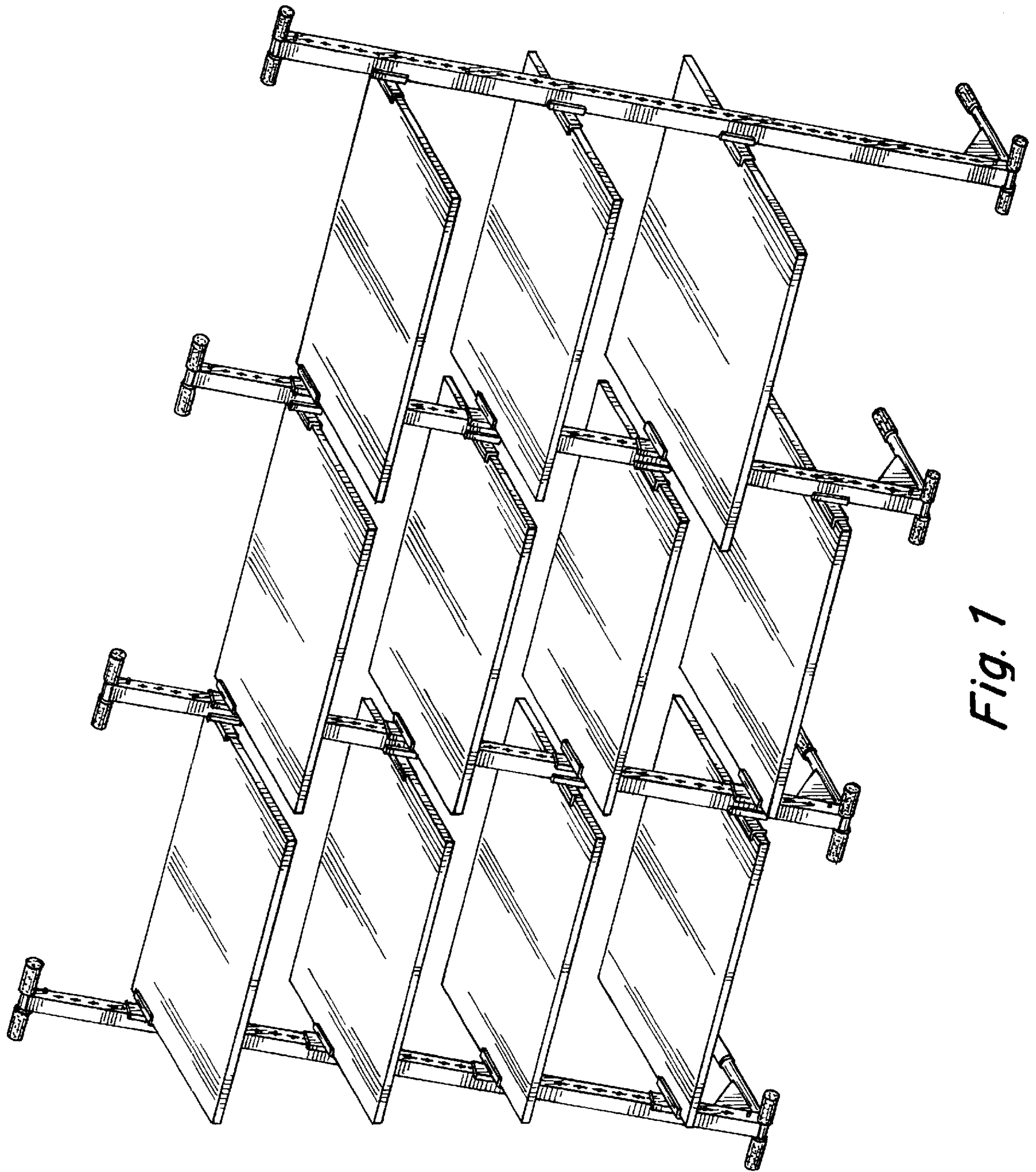
The ornamental design for a shelving system, as shown and described.

**DESCRIPTION**

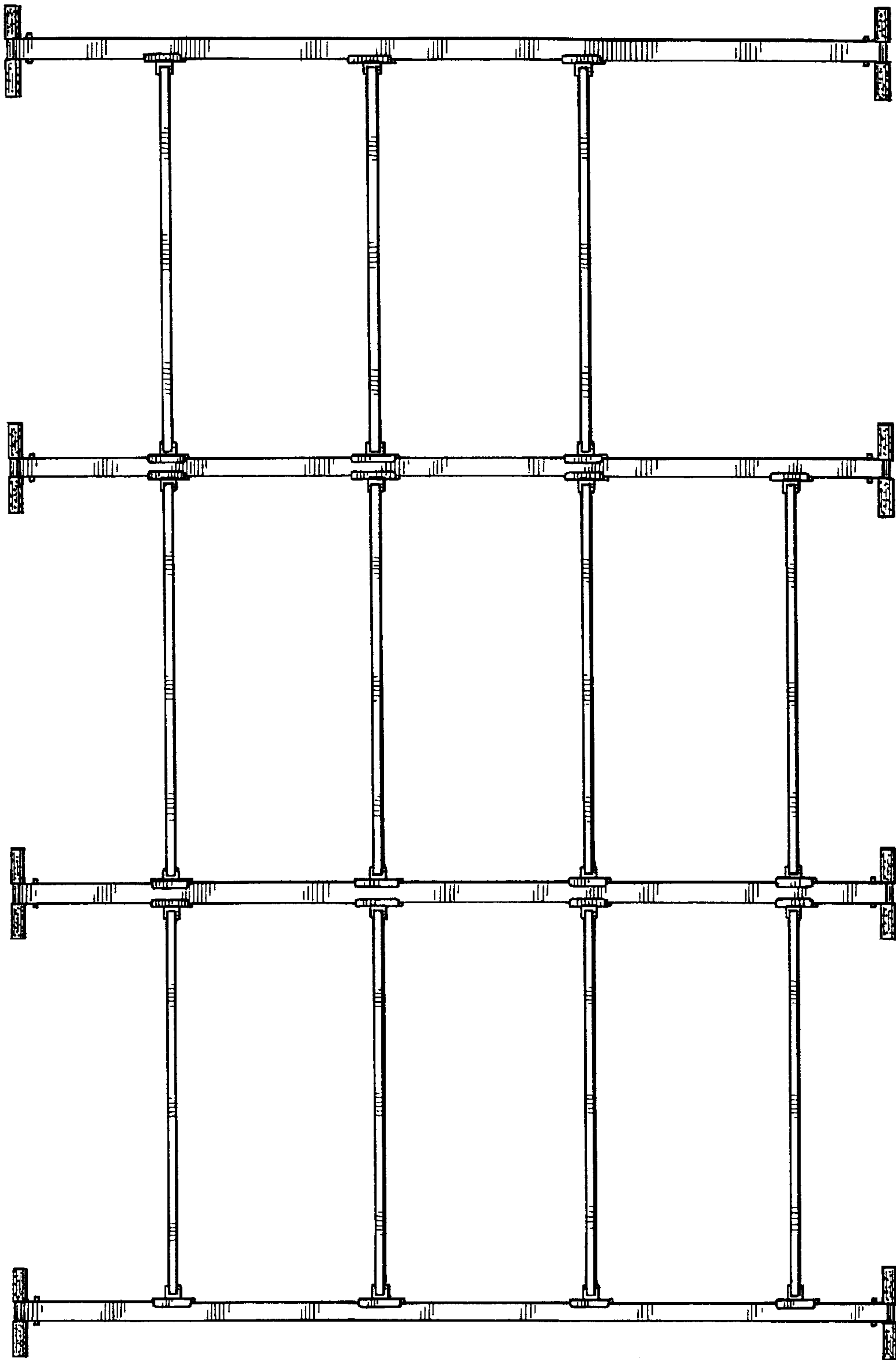
FIG. 1 is a top front right-side perspective view of a shelving system showing my invention;  
 FIG. 2 is a front elevational view thereof;  
 FIG. 3 is a left-side elevational view thereof;  
 FIG. 4 is a right elevational view thereof;  
 FIG. 5 is a rear elevational view thereof;  
 FIG. 6 is a top plan view thereof;  
 FIG. 7 is a bottom plan view thereof;  
 FIG. 8 is a top front right side perspective view of the shelving system showing a second embodiment;  
 FIG. 9 is a front elevational view of the embodiment of FIG. 8;  
 FIG. 10 is a left side elevational view of the embodiment of FIG. 8;  
 FIG. 11 is a right side elevational view of the embodiment of FIG. 8;  
 FIG. 12 is a rear elevational view of the embodiment of FIG. 8;  
 FIG. 13 is a top plan view of the embodiment of FIG. 8; and,  
 FIG. 14 is a bottom plan view of the embodiment of FIG. 8.

**1 Claim, 10 Drawing Sheets**



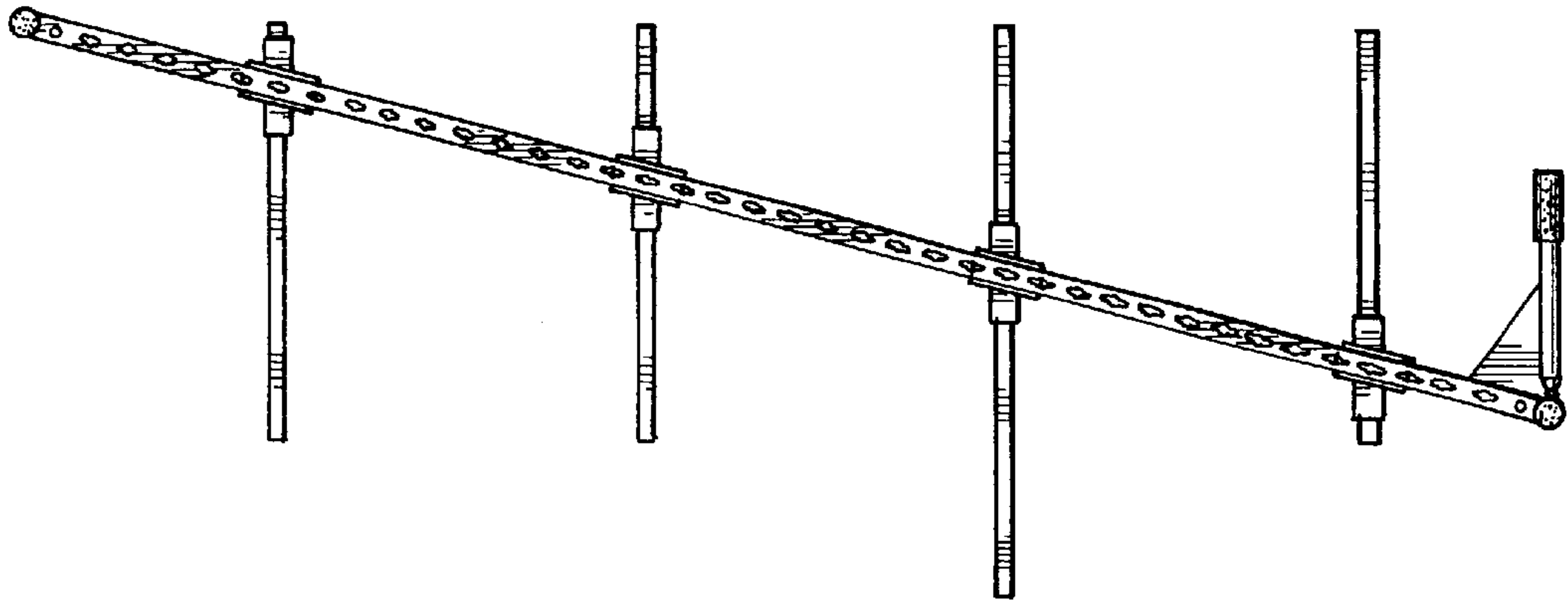


*Fig. 1*

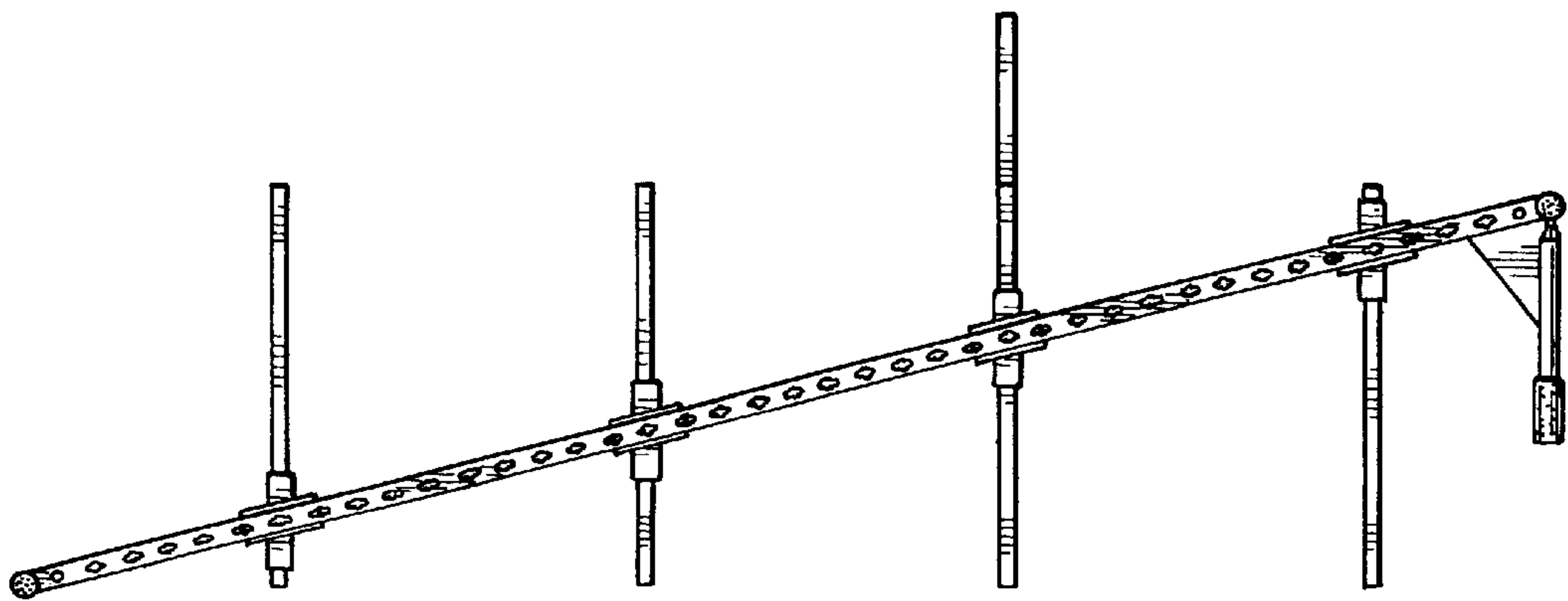


*Fig. 2*





*Fig. 4*



*Fig. 3*

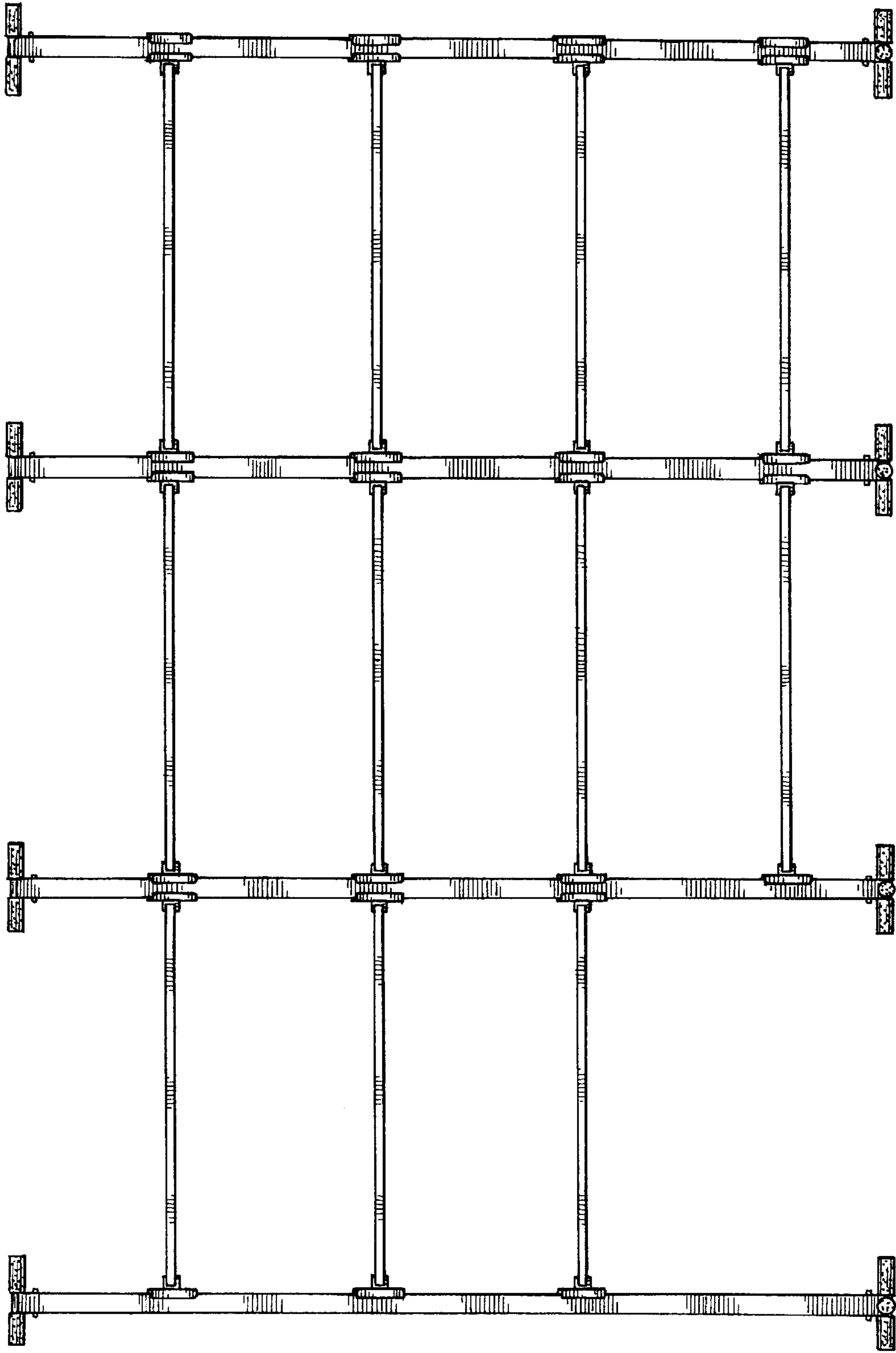
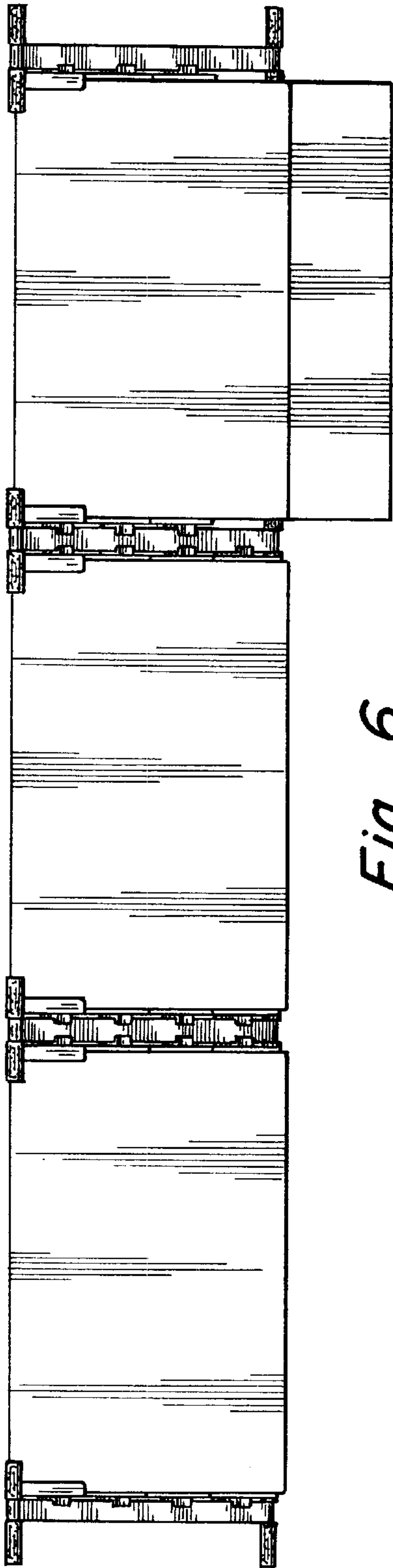
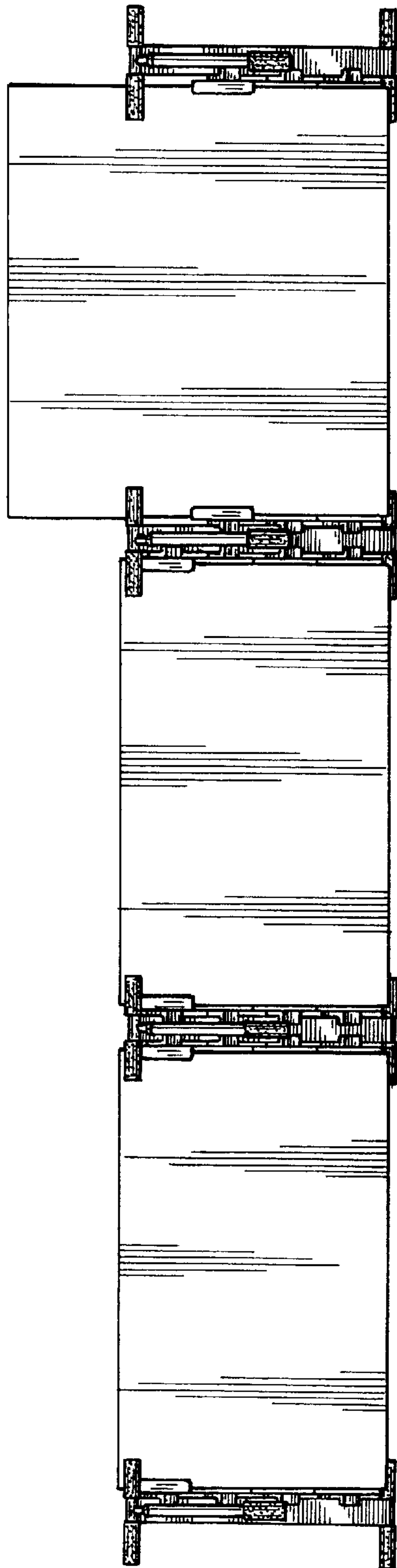


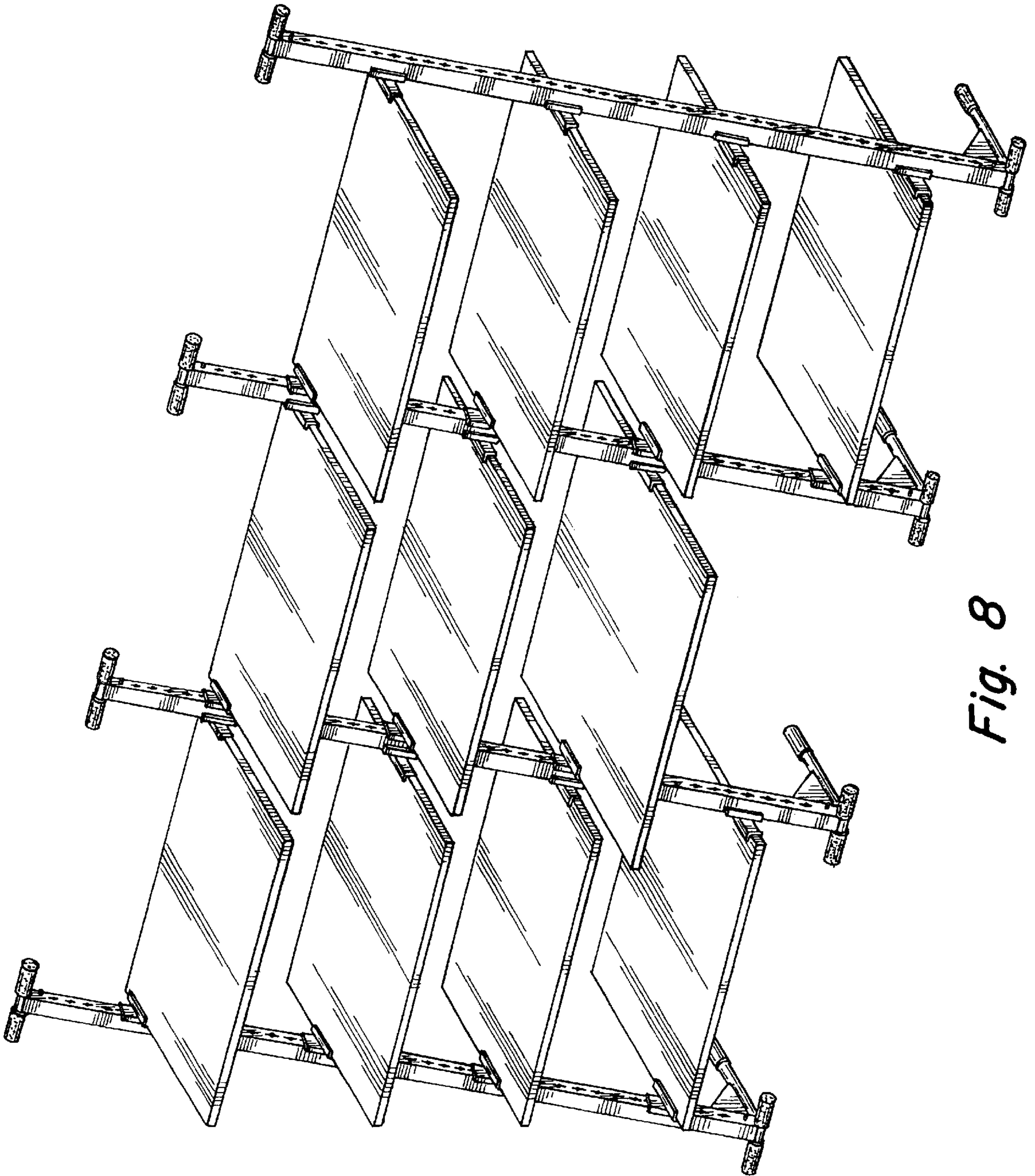
Fig. 5



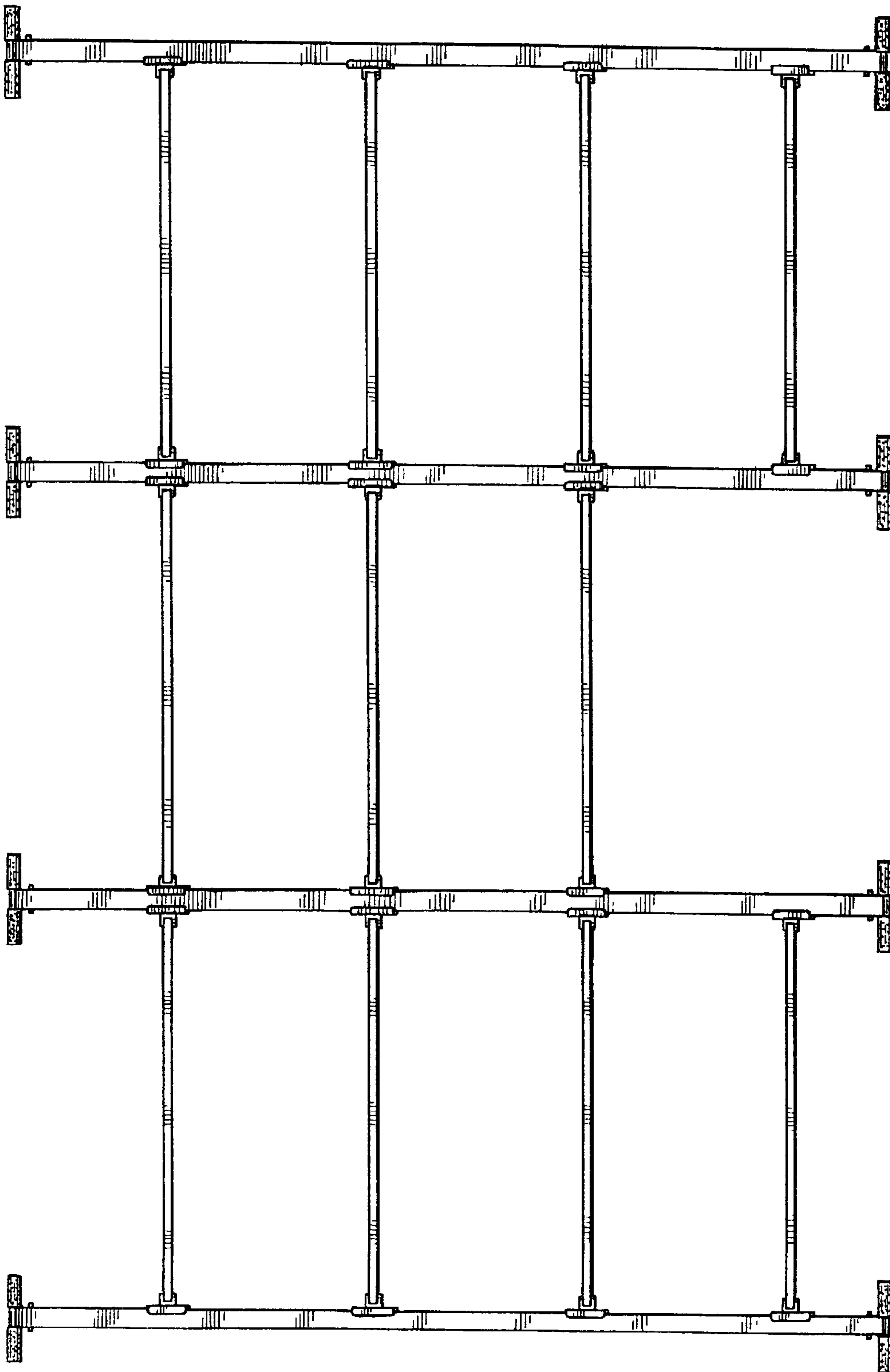
*Fig. 6*



*Fig. 7*

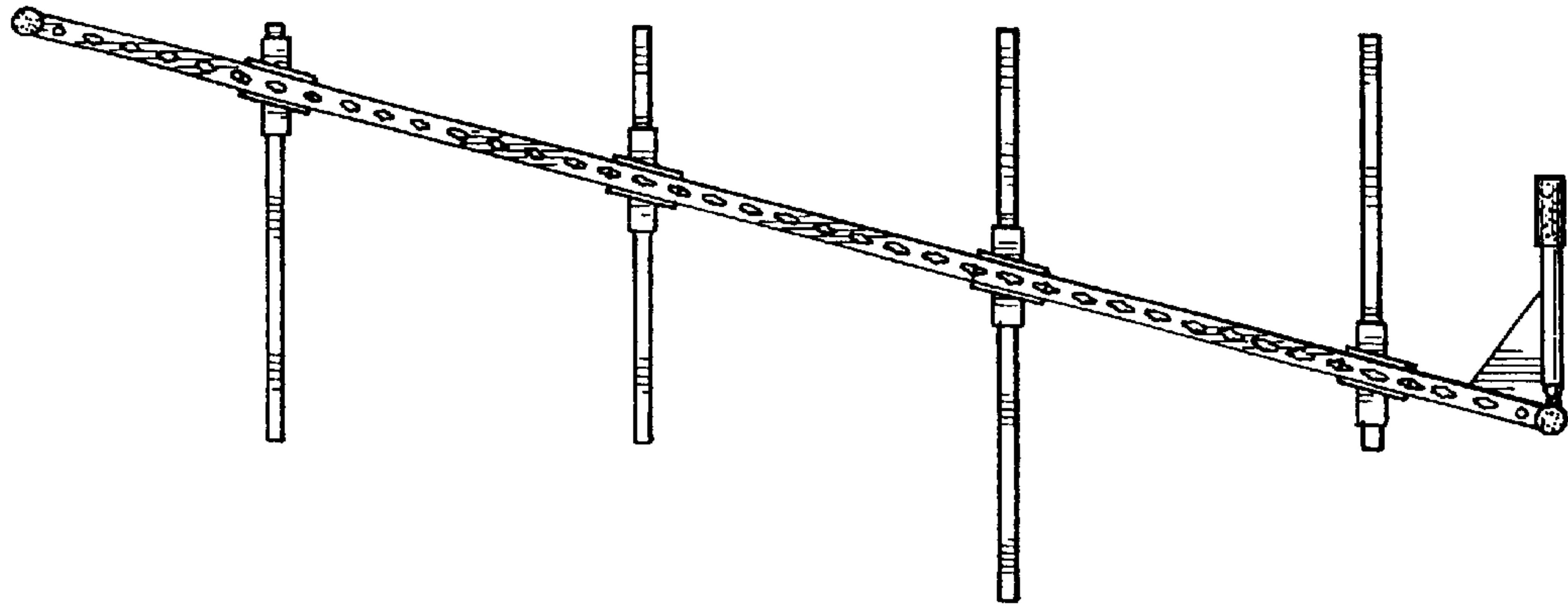


*Fig. 8*

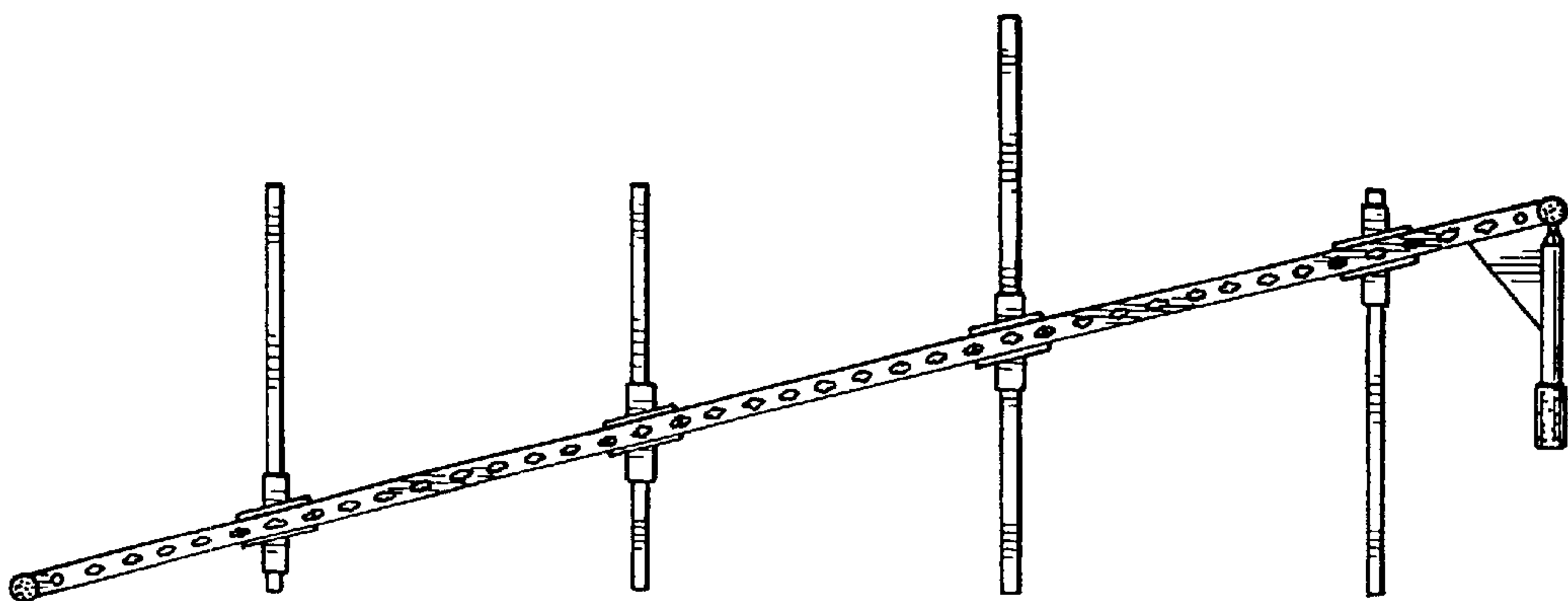


*Fig. 9*

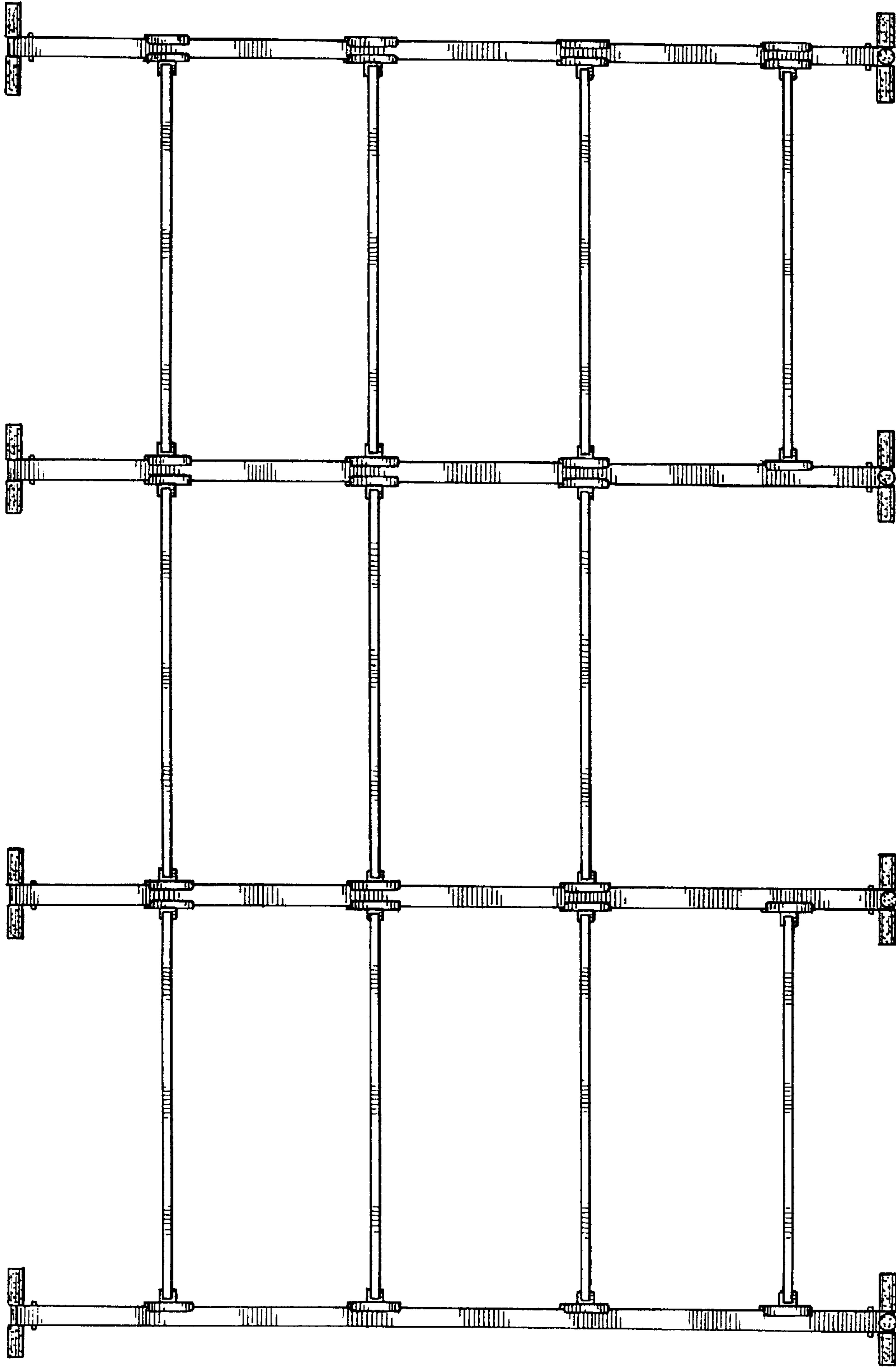




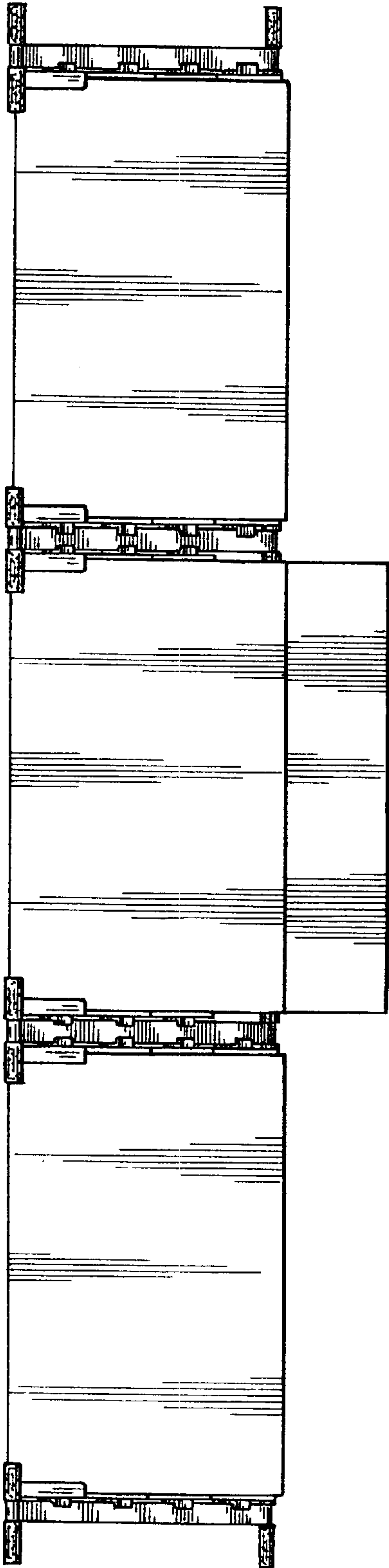
*Fig. 11*



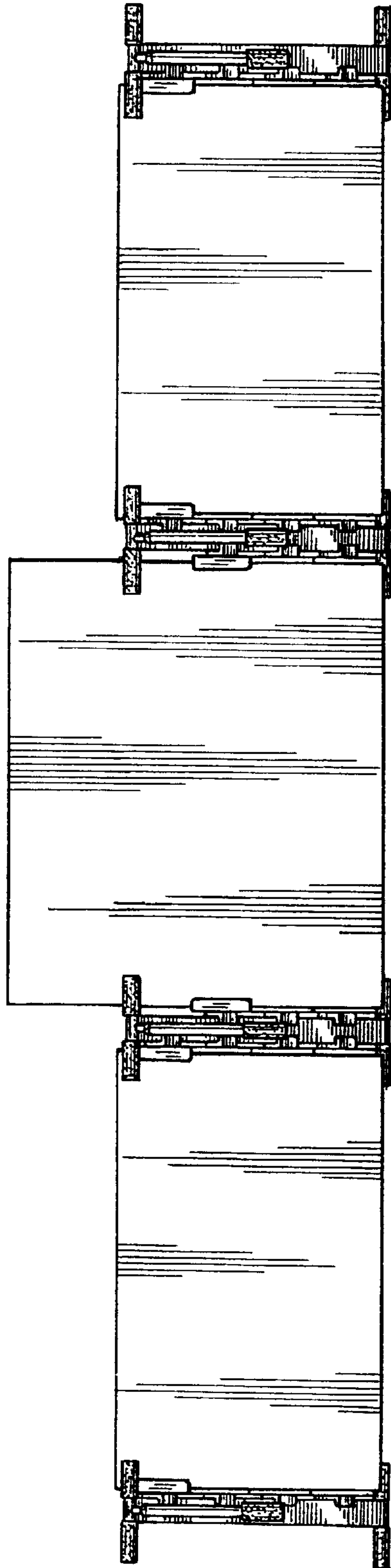
*Fig. 10*



*Fig. 12*



*Fig. 13*



*Fig. 14*