



US00D459116S

(12) **United States Design Patent**
Lanham

(10) **Patent No.:** **US D459,116 S**

(45) **Date of Patent:** **** Jun. 25, 2002**

(54) **JEWELRY DISPLAY**

(75) Inventor: **Adria Lanham**, Williamsville, NY
(US)

(73) Assignee: **Bufkor, Inc.**, Clearwater, FL (US)

(**) Term: **14 Years**

(21) Appl. No.: **29/151,899**

(22) Filed: **Dec. 11, 2001**

Related U.S. Application Data

(62) Division of application No. 29/141,916, filed on May 15, 2001, now Pat. No. Des. 400,801.

(51) **LOC (7) Cl.** **06-04**

(52) **U.S. Cl.** **D6/467**

(58) **Field of Search** D6/396, 449, 466,
D6/467, 475, 476; D14/447; 108/150; 248/346.01;
206/6.1, 566; 312/351.2

(56) **References Cited**

U.S. PATENT DOCUMENTS

- D135,512 S * 4/1943 Weissman D6/475
- D223,064 S * 3/1972 Peterson D6/449
- 4,432,456 A * 2/1984 Ovadia et al. 206/566
- D283,474 S * 4/1986 Appel D6/511

- D290,202 S * 6/1987 Friedman D6/467
- D332,711 S * 1/1993 Olson D6/449
- 5,253,750 A * 10/1993 Keffer 206/6.1
- D344,663 S * 3/1994 Balzen D8/71
- D358,278 S * 5/1995 Goodwin D6/449
- D371,916 S * 7/1996 Kacprowicz D6/396
- 5,934,456 A * 8/1999 Ovadia 206/6.1
- D427,000 S * 6/2000 Brown D6/629
- D431,394 S * 10/2000 Ciavarella et al. D6/454

* cited by examiner

Primary Examiner—Cathron C. Brooks

(74) *Attorney, Agent, or Firm*—Michael J. Striker

(57) **CLAIM**

The ornamental design for a jewelry display, as shown and described.

DESCRIPTION

FIG. 1 is a top front right side perspective view of the jewelry display showing my new design which is also a mirror image of the left top perspective view thereof; FIG. 2 is a top front right side perspective view of a first alternative embodiment which is also a mirror image of the left top perspective view thereof; and, FIG. 3 is a rear view of FIG. 1, the rear view of FIG. 2 is identical to this rear view except for differences in width.

1 Claim, 2 Drawing Sheets

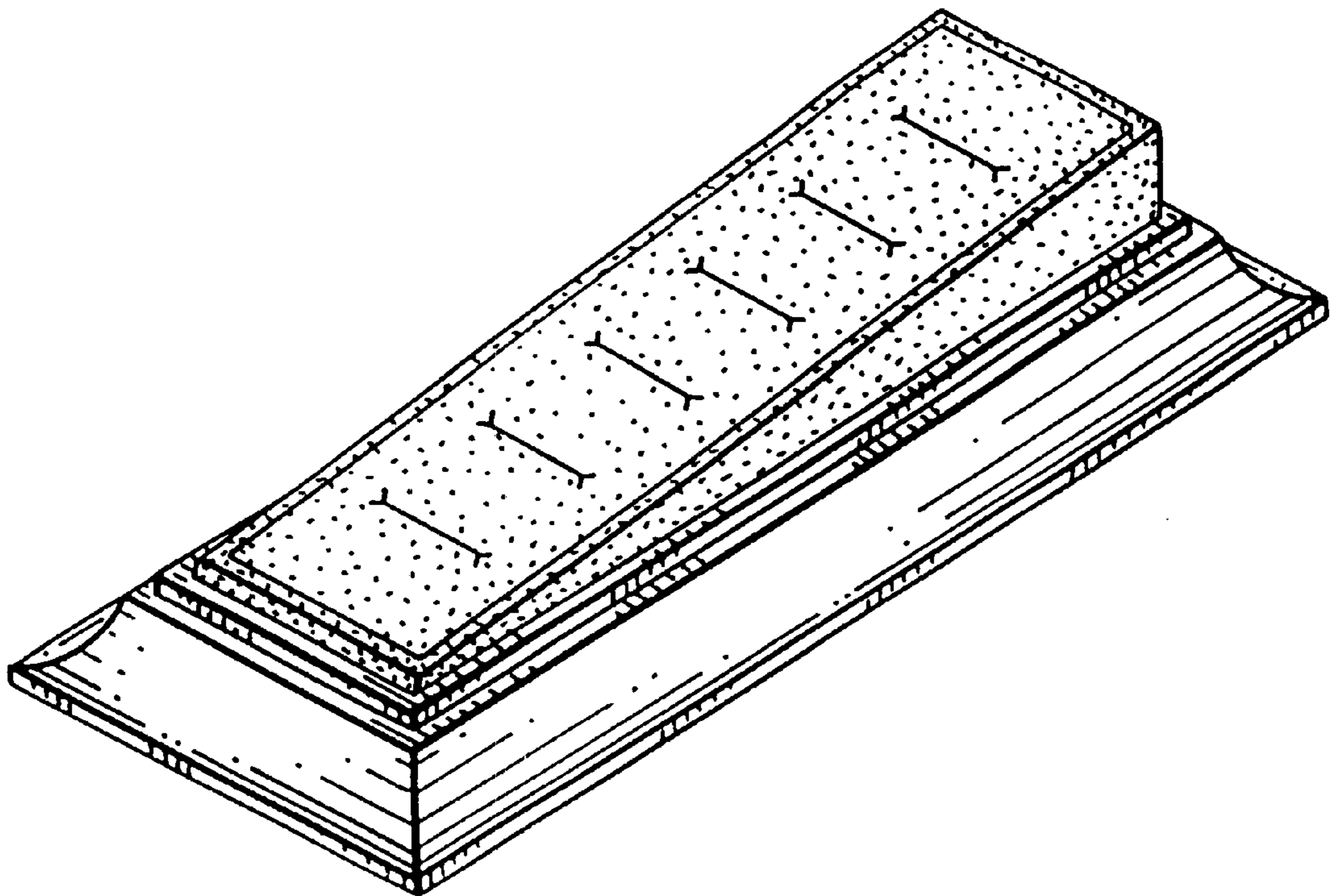


FIG. 1

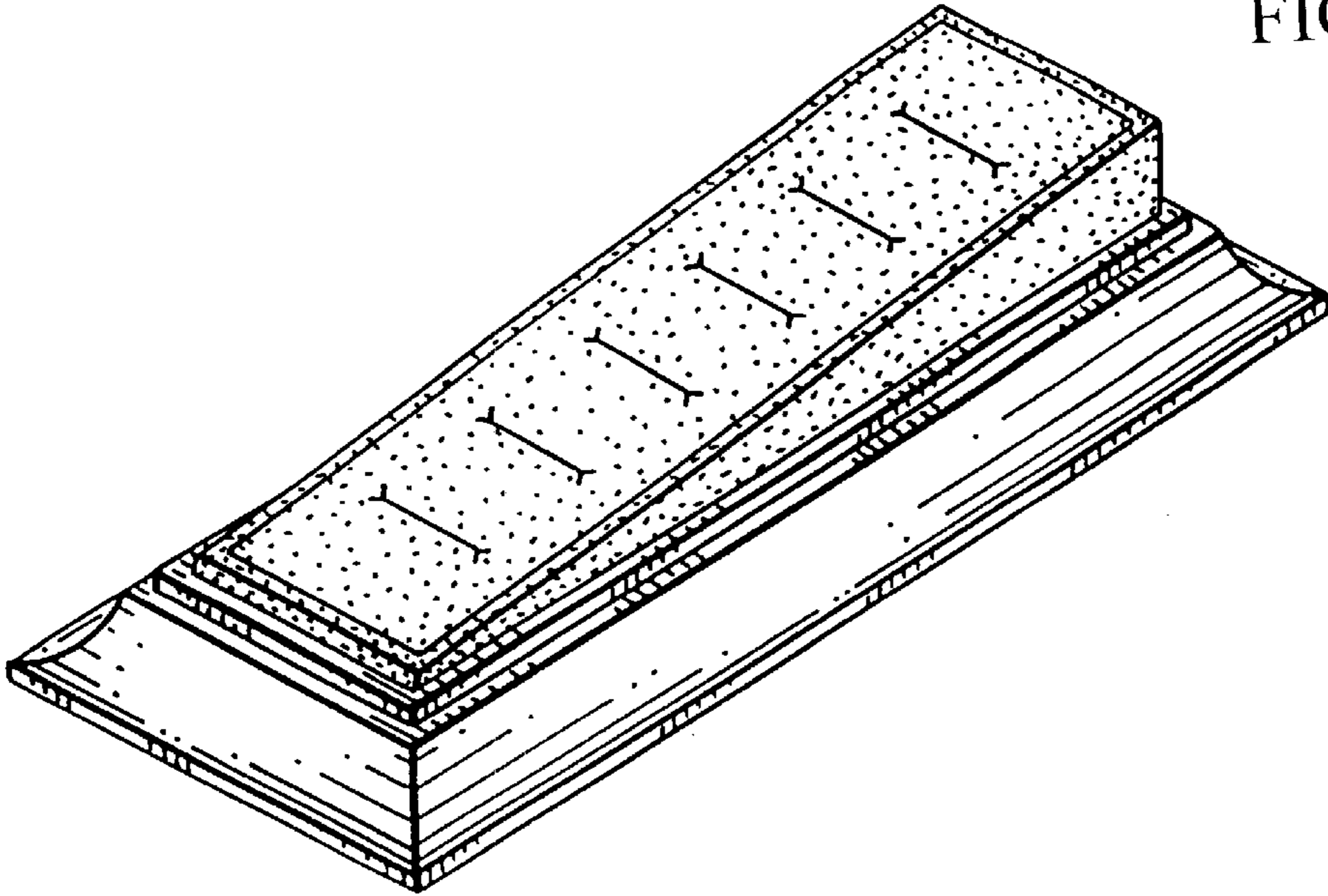


FIG. 2

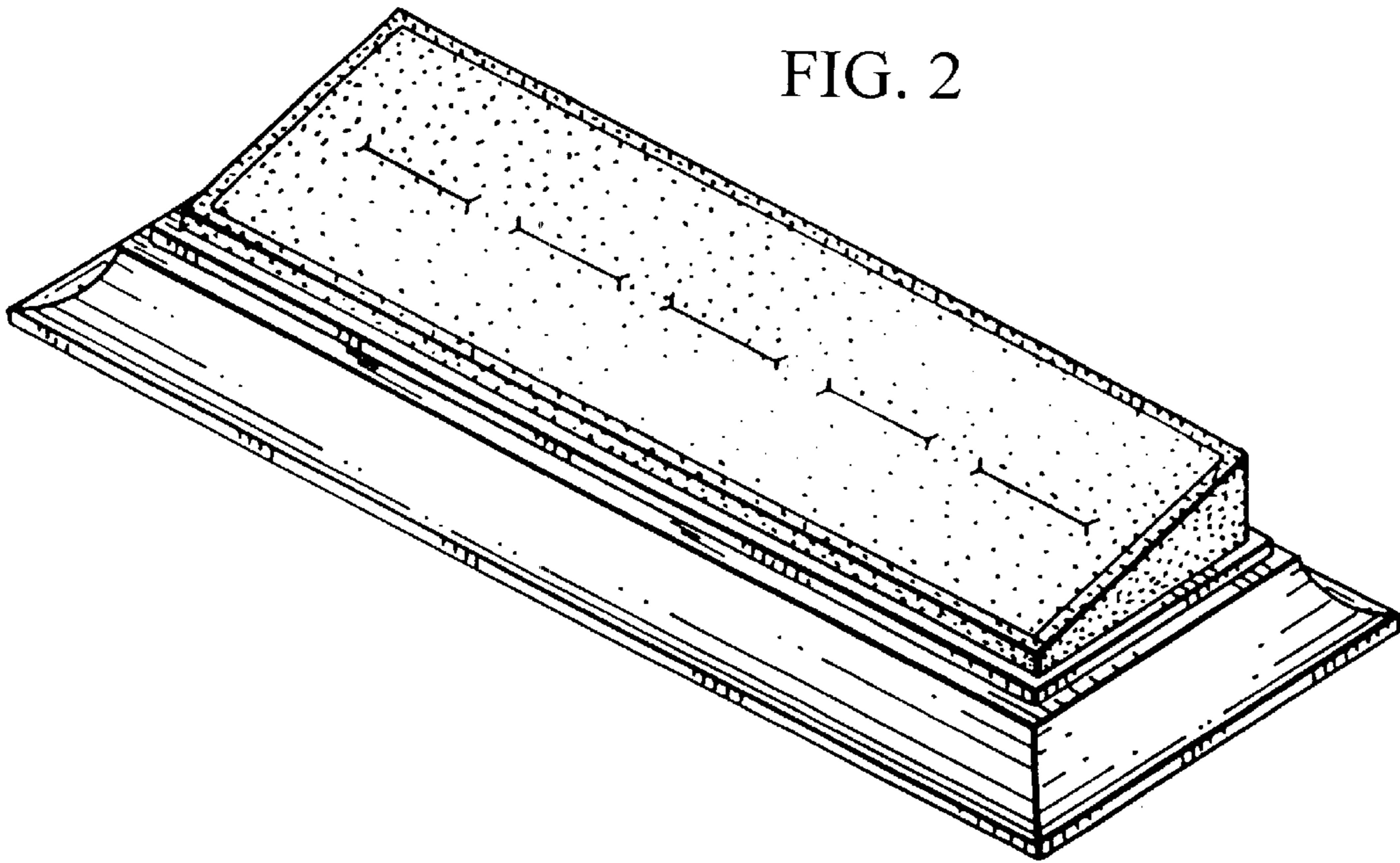


FIG. 3

