



US00D459115S

(12) **United States Design Patent**
Lanham

(10) **Patent No.:** **US D459,115 S**

(45) **Date of Patent:** **** Jun. 25, 2002**

(54) **JEWELRY DISPLAY**

(75) Inventor: **Adria Lanham**, Williamsville, NY
(US)

(73) Assignee: **Bufkor, Inc.**, Clearwater, FL (US)

(**) Term: **14 Years**

(21) Appl. No.: **29/151,892**

(22) Filed: **Dec. 11, 2001**

Related U.S. Application Data

(62) Division of application No. 29/141,916, filed on May 15, 2001, now Pat. No. Des. 400,801.

(51) **LOC (7) Cl.** **06-04**

(52) **U.S. Cl.** **D6/467**

(58) **Field of Search** D6/396, 449, 466,
D6/467, 475, 476; D14/447; 108/150; 248/346.01;
206/6.1, 566; 312/351.2

(56) **References Cited**

U.S. PATENT DOCUMENTS

D135,512 S	*	4/1943	Weissman	D6/475
D223,064 S	*	3/1972	Peterson	D6/449
4,432,456 A	*	2/1984	Ovadia et al.	206/566
D283,474 S	*	4/1986	Appel	D6/511
D290,202 S	*	6/1987	Friedman	D6/467
D332,711 S	*	1/1993	Olson	D6/449

5,253,750 A	*	10/1993	Keffer	206/6.1
D344,663 S	*	3/1994	Balzen	D8/71
D358,278 S	*	5/1995	Goodwin	D6/449
D371,916 S	*	7/1996	Kacprowicz	D6/396
5,934,456 A	*	8/1999	Ovadia	206/6.1
D427,000 S	*	6/2000	Brown	D6/629
D431,394 S	*	10/2000	Ciavarella et al.	D6/454

* cited by examiner

Primary Examiner—Cathron C. Brooks

(74) *Attorney, Agent, or Firm*—Michael J. Striker

(57) **CLAIM**

The ornamental design for a jewelry display, as shown and described.

DESCRIPTION

FIG. 1 is a top front right side perspective view of the jewelry display showing my new design which is also a mirror image of the left top perspective view thereof;

FIG. 2 is a top front right side perspective view of a first alternative embodiment which is also a mirror image of the left top perspective view thereof;

FIG. 3 is a top front right side perspective view of a second alternative embodiment which is also a mirror image of the left top perspective view thereof; and,

FIG. 4 is a rear view of FIG. 1, the rear views of FIGS. 2 and 3 are identical to this rear view except for differences in width.

1 Claim, 2 Drawing Sheets

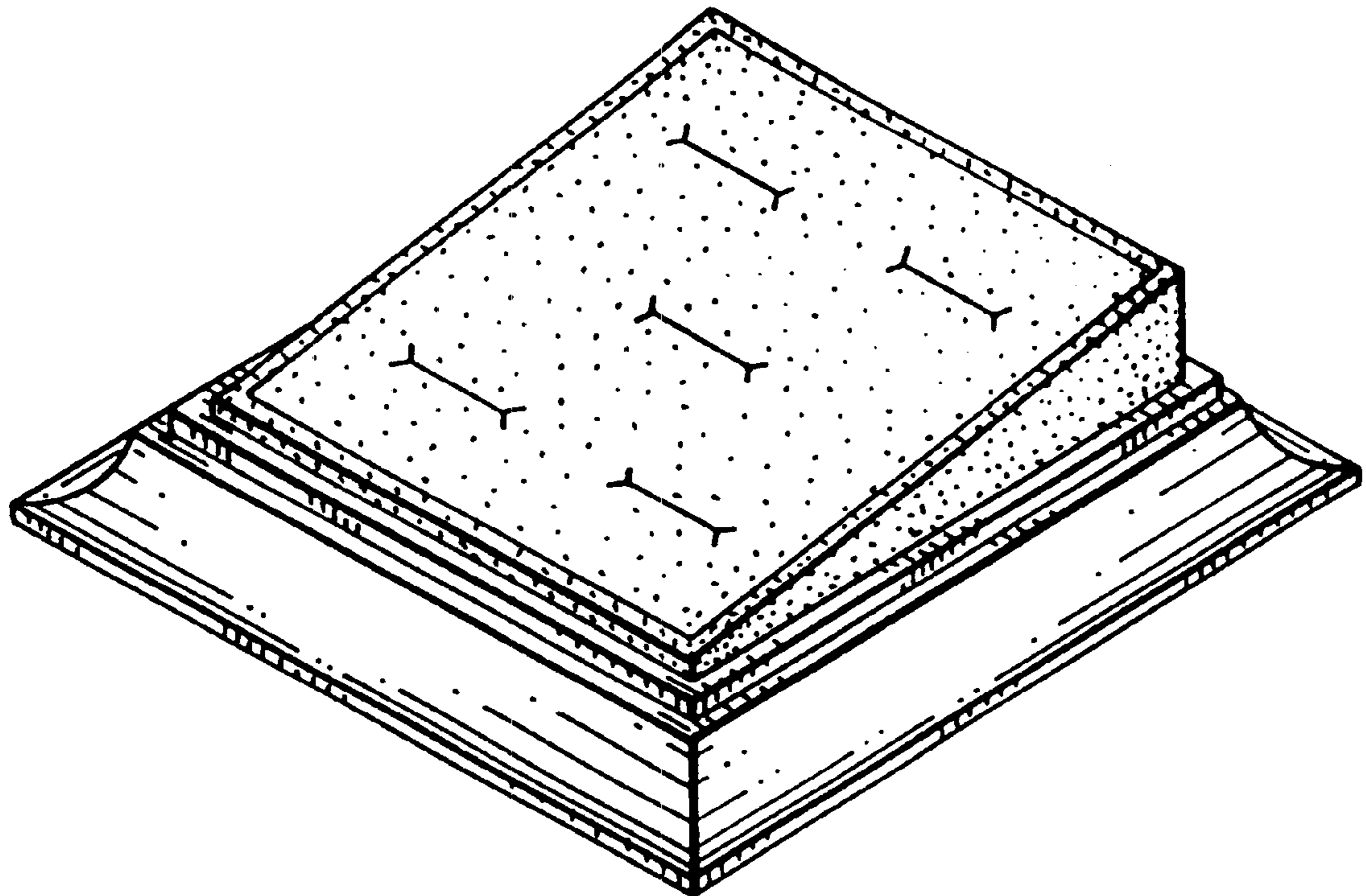


FIG. 1

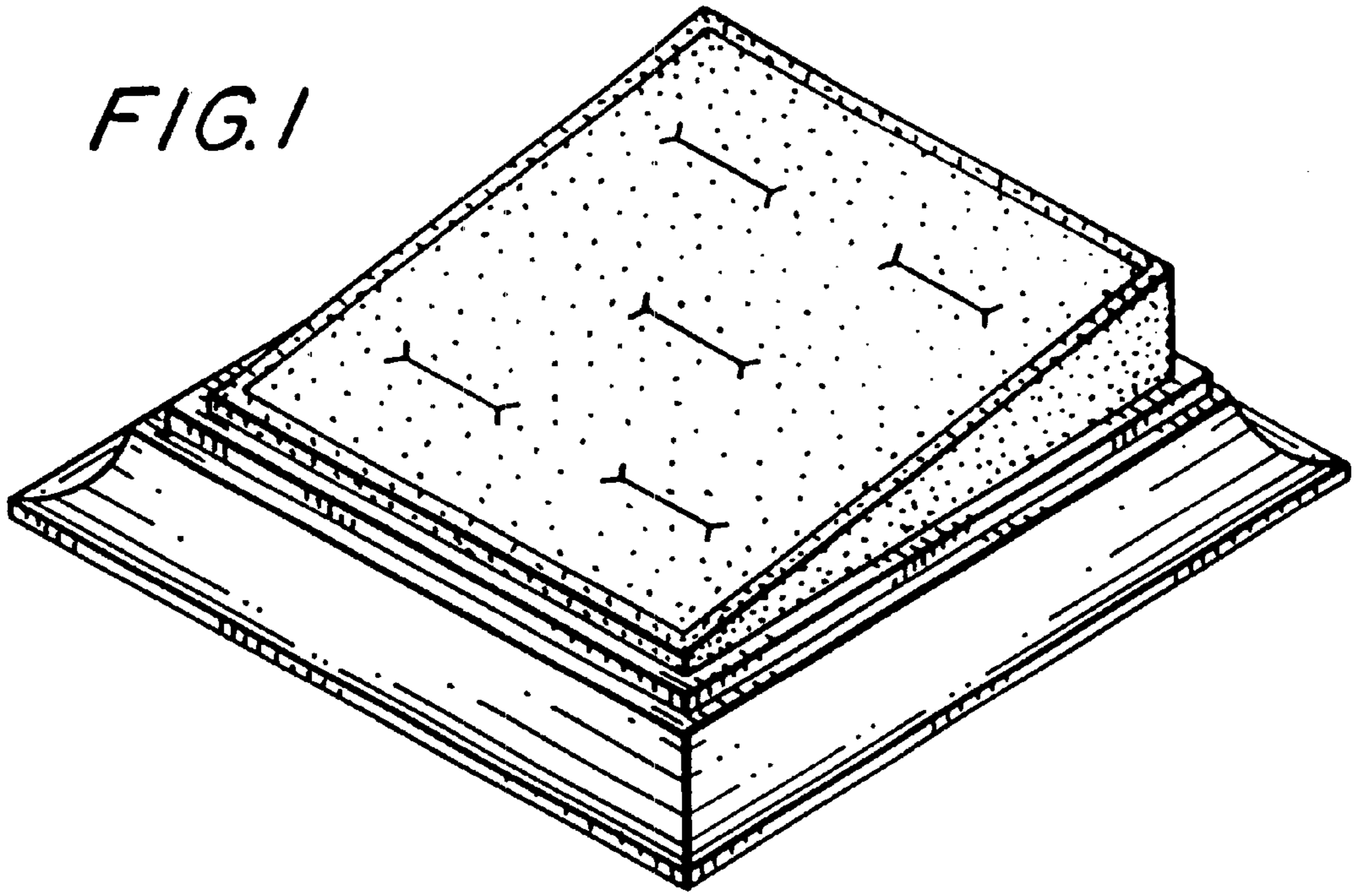
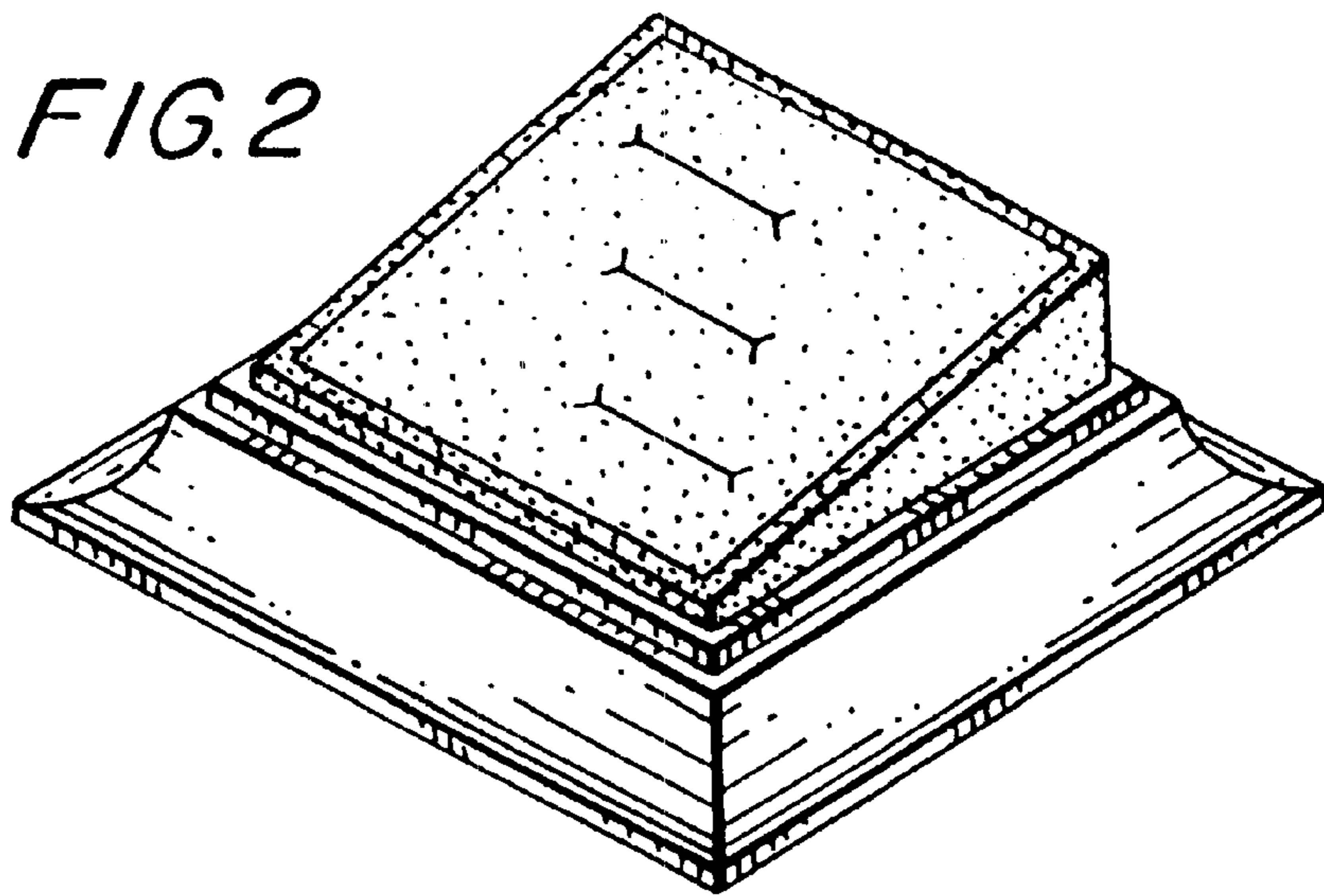


FIG. 2



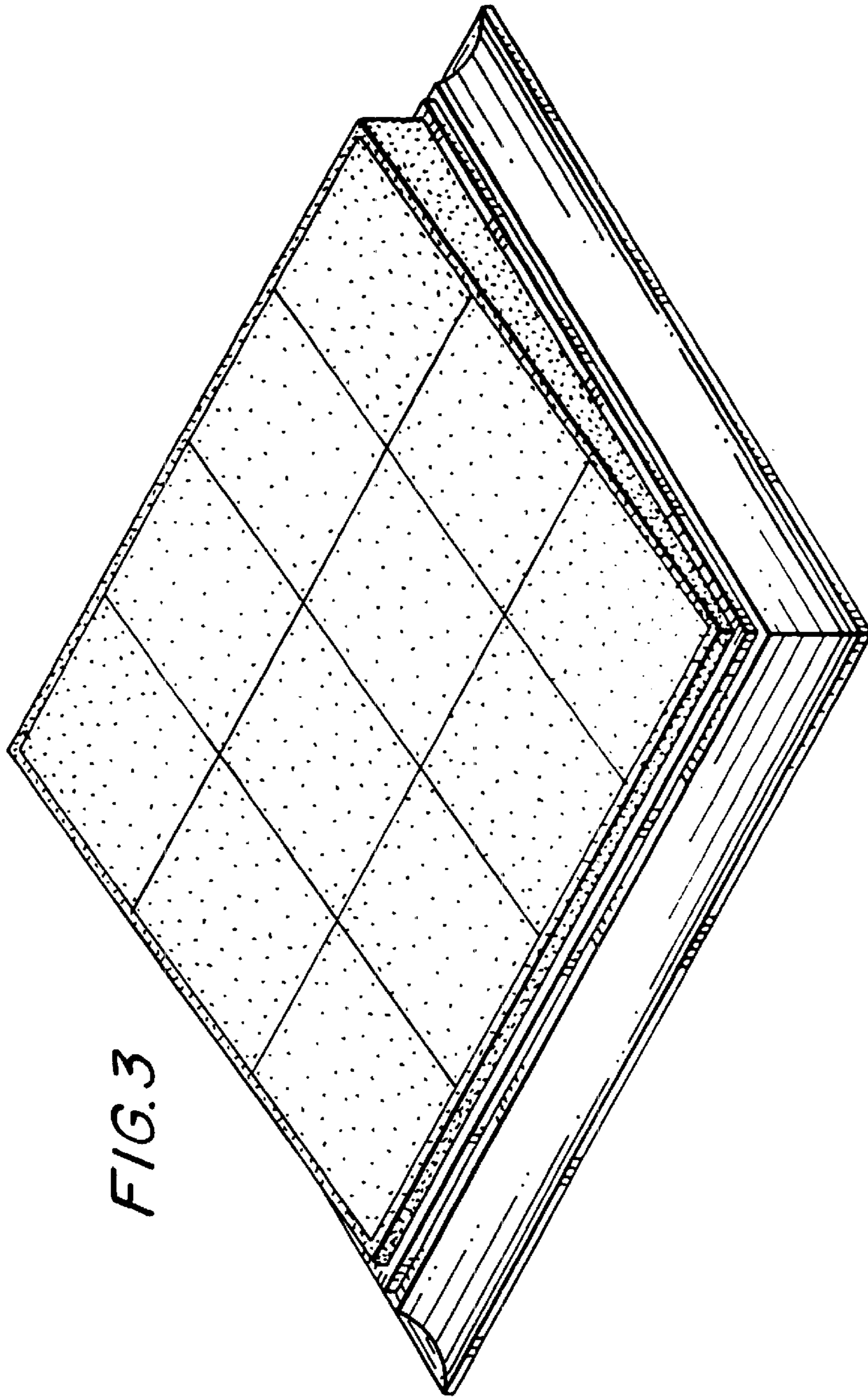


FIG. 3

FIG. 4

