



US00D459099S

(12) **United States Design Patent**
Liu

(10) **Patent No.:** **US D459,099 S**
(45) **Date of Patent:** **** Jun. 25, 2002**

(54) **SWING CHAIR SUPPORT FRAME**

D450,938 S * 11/2001 Liu D6/347

(76) Inventor: **Lausan Chung-Hsin Liu**, No. 243,
Chien-Kuo Rd., Hsin-Tien City, Taipei
Hsien (TW)

* cited by examiner

Primary Examiner—Doris V. Coles

Assistant Examiner—Mimosa De

(74) *Attorney, Agent, or Firm*—Bacon & Thomas, PLLC

(**) Term: **14 Years**

(57) **CLAIM**

(21) Appl. No.: **29/144,880**

The ornamental design for “swing chair support frame”, as shown and described.

(22) Filed: **Jul. 13, 2001**

DESCRIPTION

(51) **LOC (7) Cl.** **06-01**

(52) **U.S. Cl.** **D6/347**

(58) **Field of Search** D6/334, 335, 344,
D6/346, 347, 374, 375, 500–502; 297/273,
277, 280, 281, 452.13, 452.19, 452.2; 472/118,
125

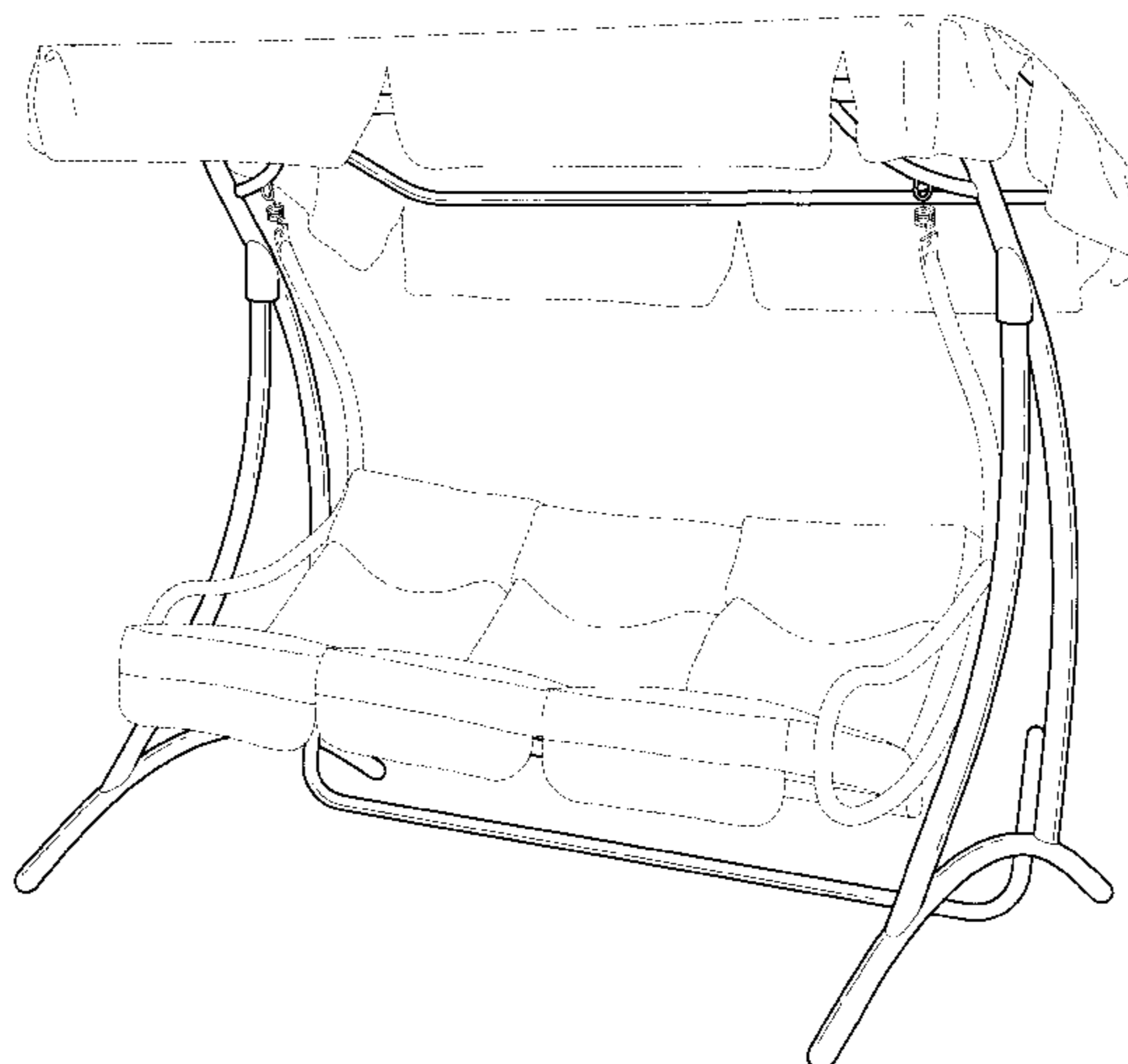
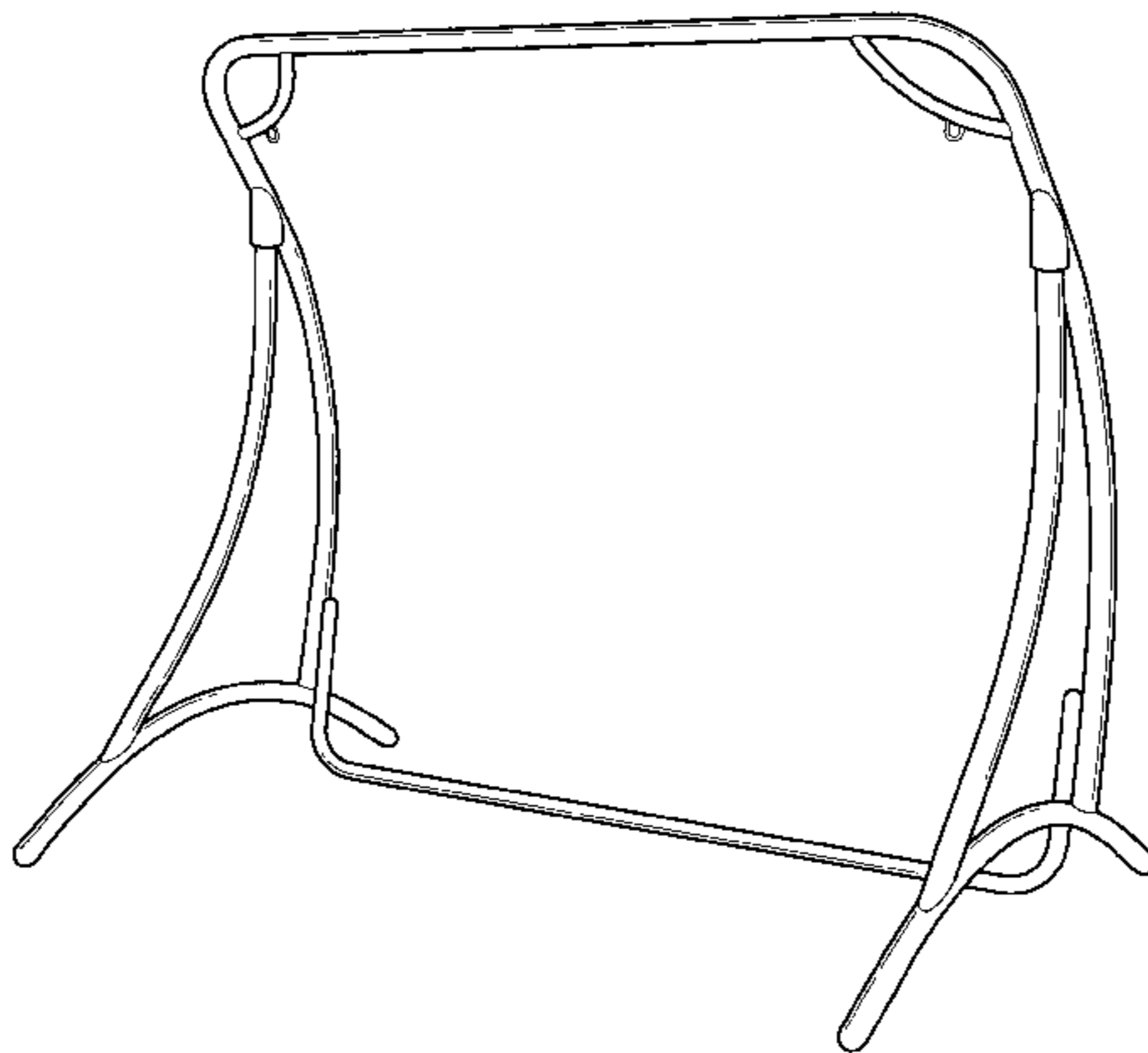
FIG. 1 is a perspective view of “swing chair support frame” showing my new design thereof;
FIG. 2 is a right side elevational view;
FIG. 3 is a top plan view thereof;
FIG. 4 is a front side elevational view;
FIG. 5 is a bottom plan view thereof;
FIG. 6 is a left side elevational view; and
FIG. 7 is a rear side elevational view; and,
FIG. 8 is a perspective view thereof shown in using position. The broken line showing of the canopy and the seat in FIG. 8 is for illustrative purposes only and forms no part of the claimed design.

(56) **References Cited**

U.S. PATENT DOCUMENTS

5,564,987 A	*	10/1996	Ayrolles	472/118
D396,564 S	*	8/1998	Tseng	D6/347
D417,791 S	*	12/1999	Liu	D6/347
D439,423 S	*	3/2001	Tseng	D6/344

1 Claim, 8 Drawing Sheets



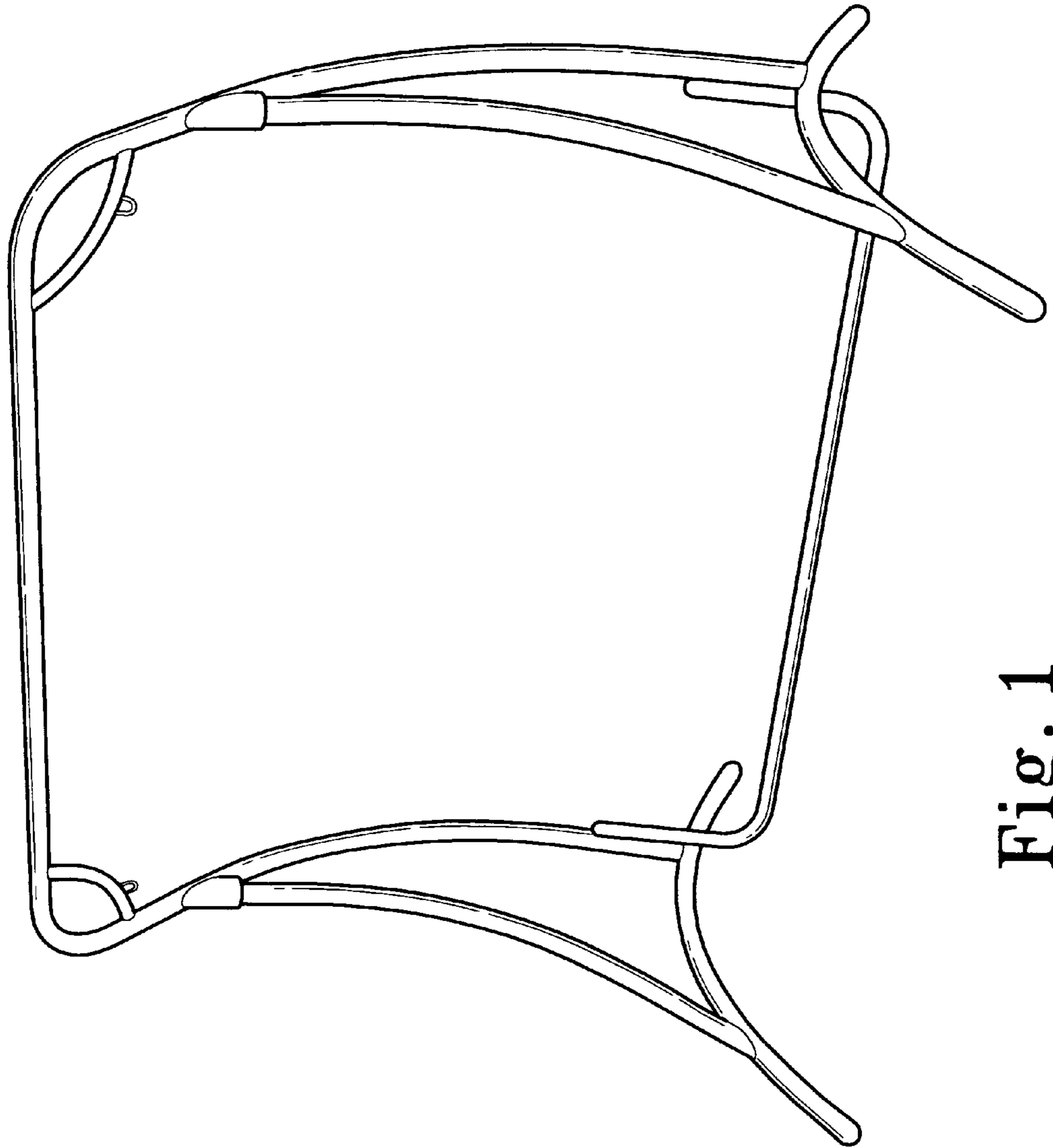


Fig. 1

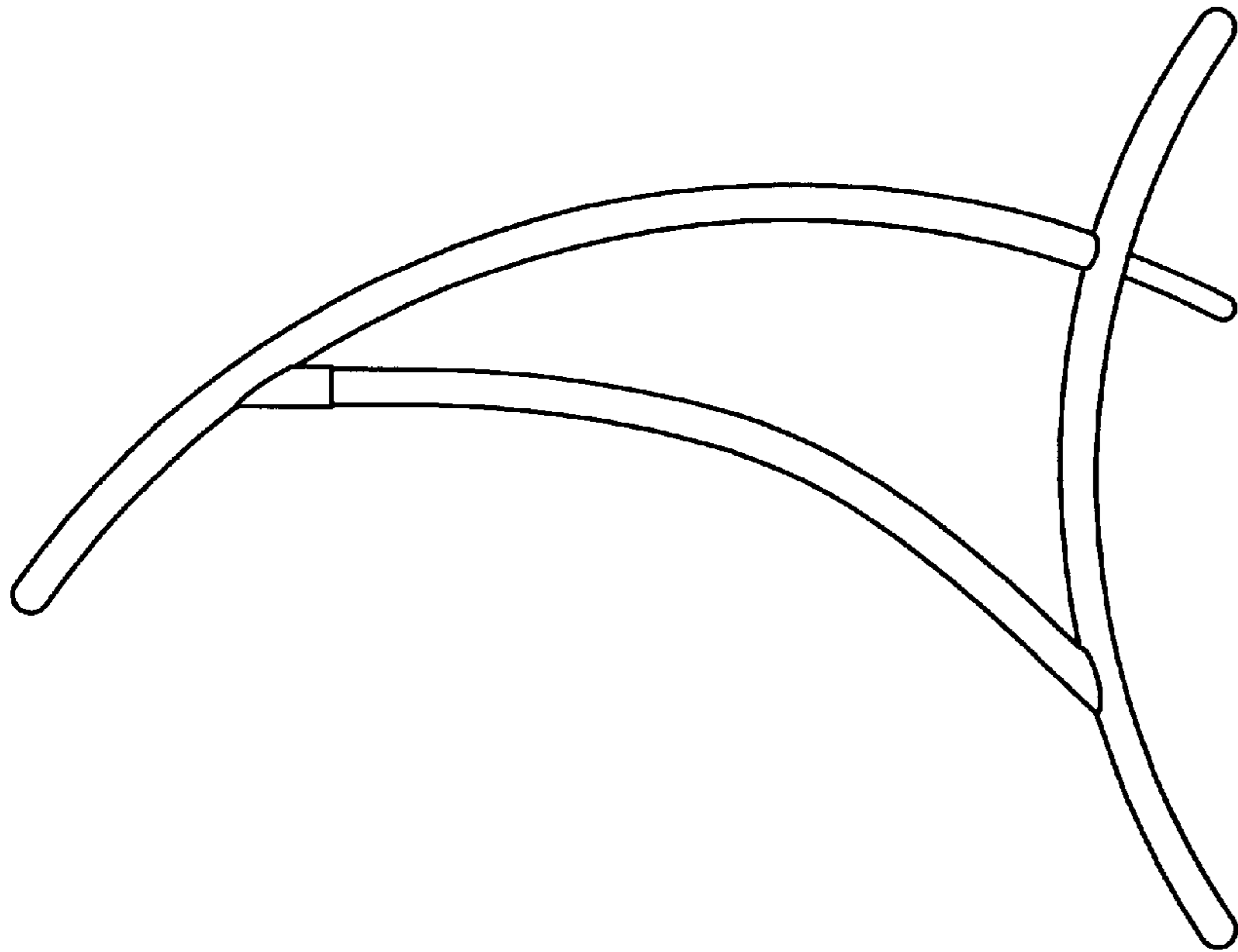


Fig. 2

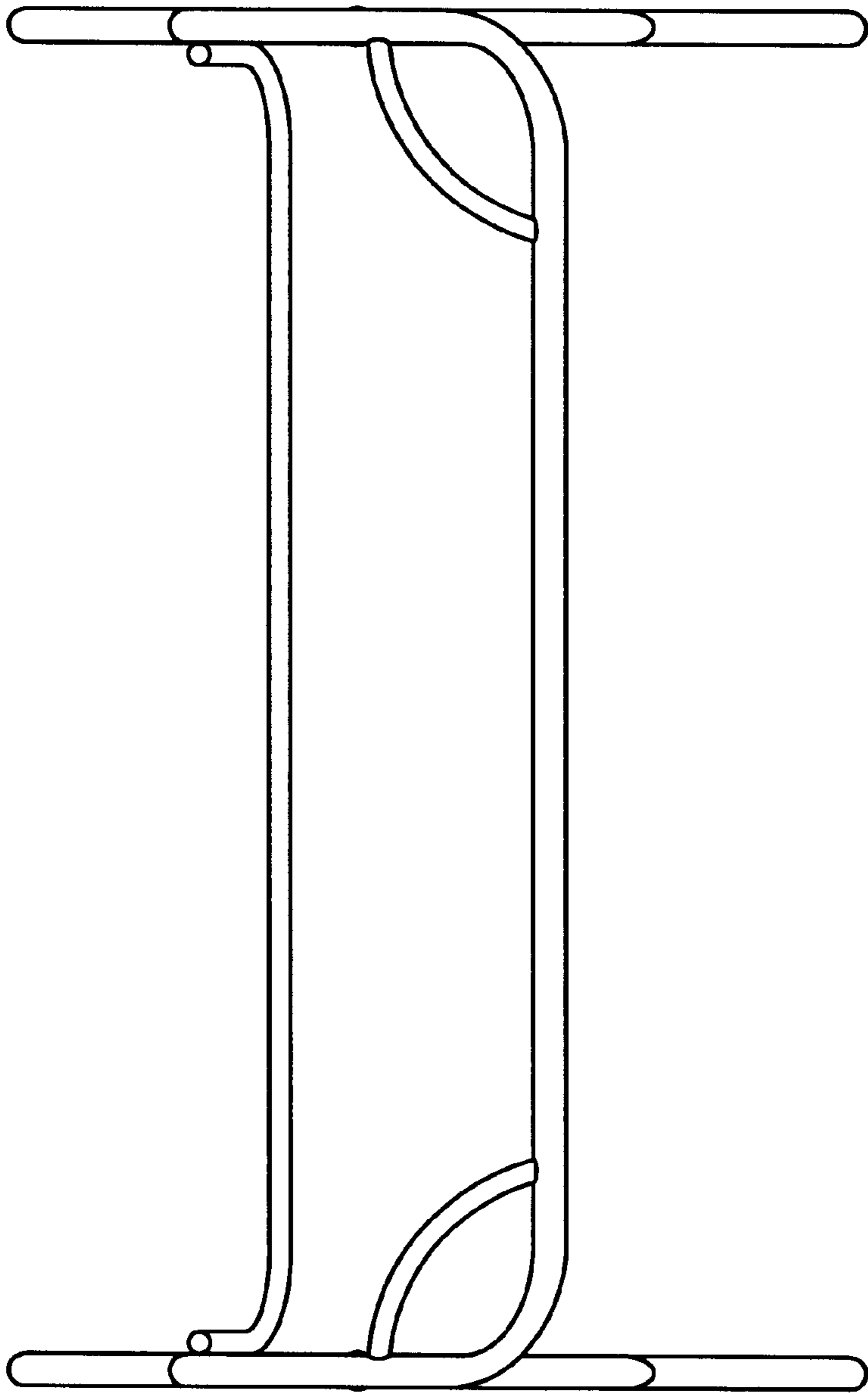


Fig. 3

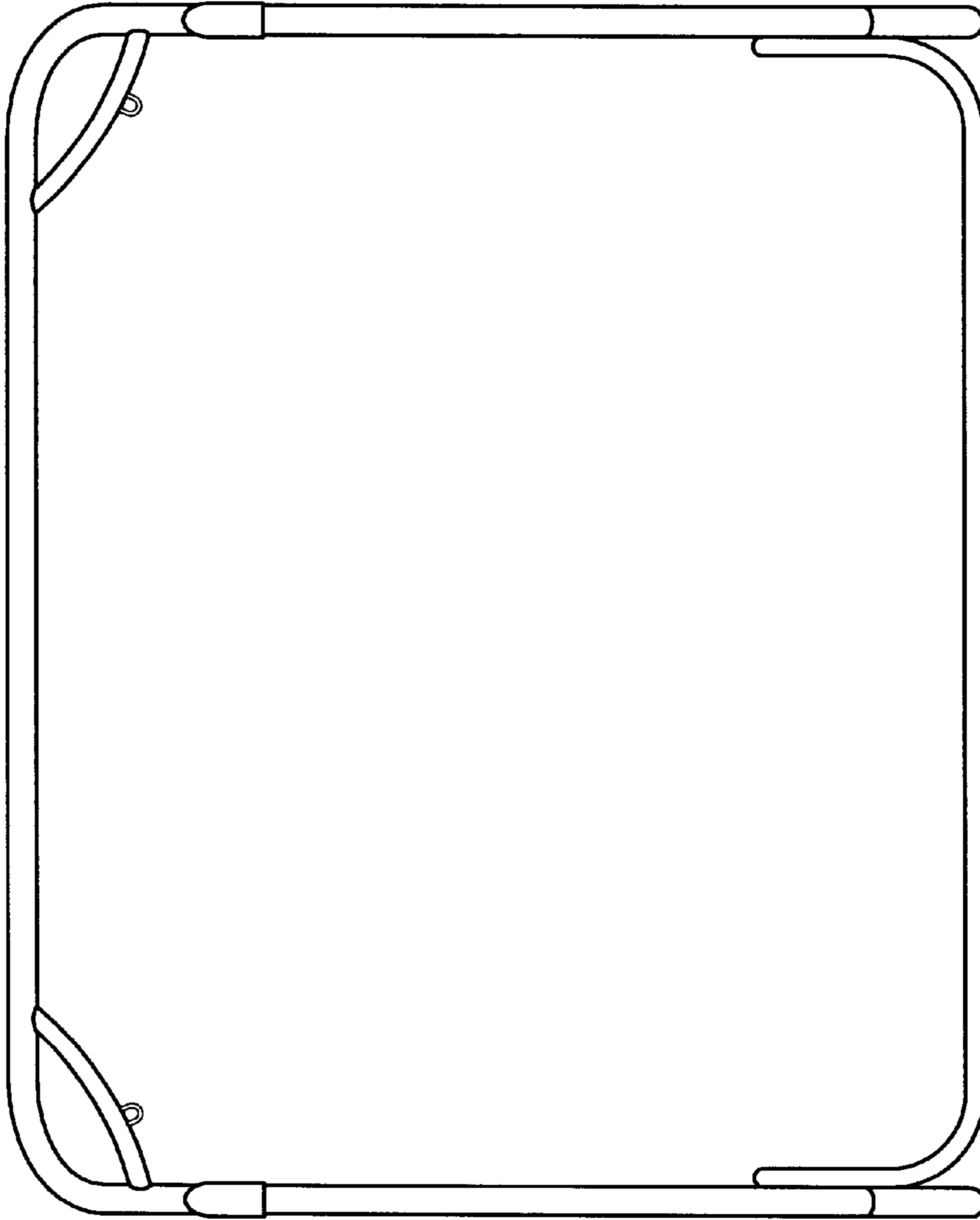


Fig. 4

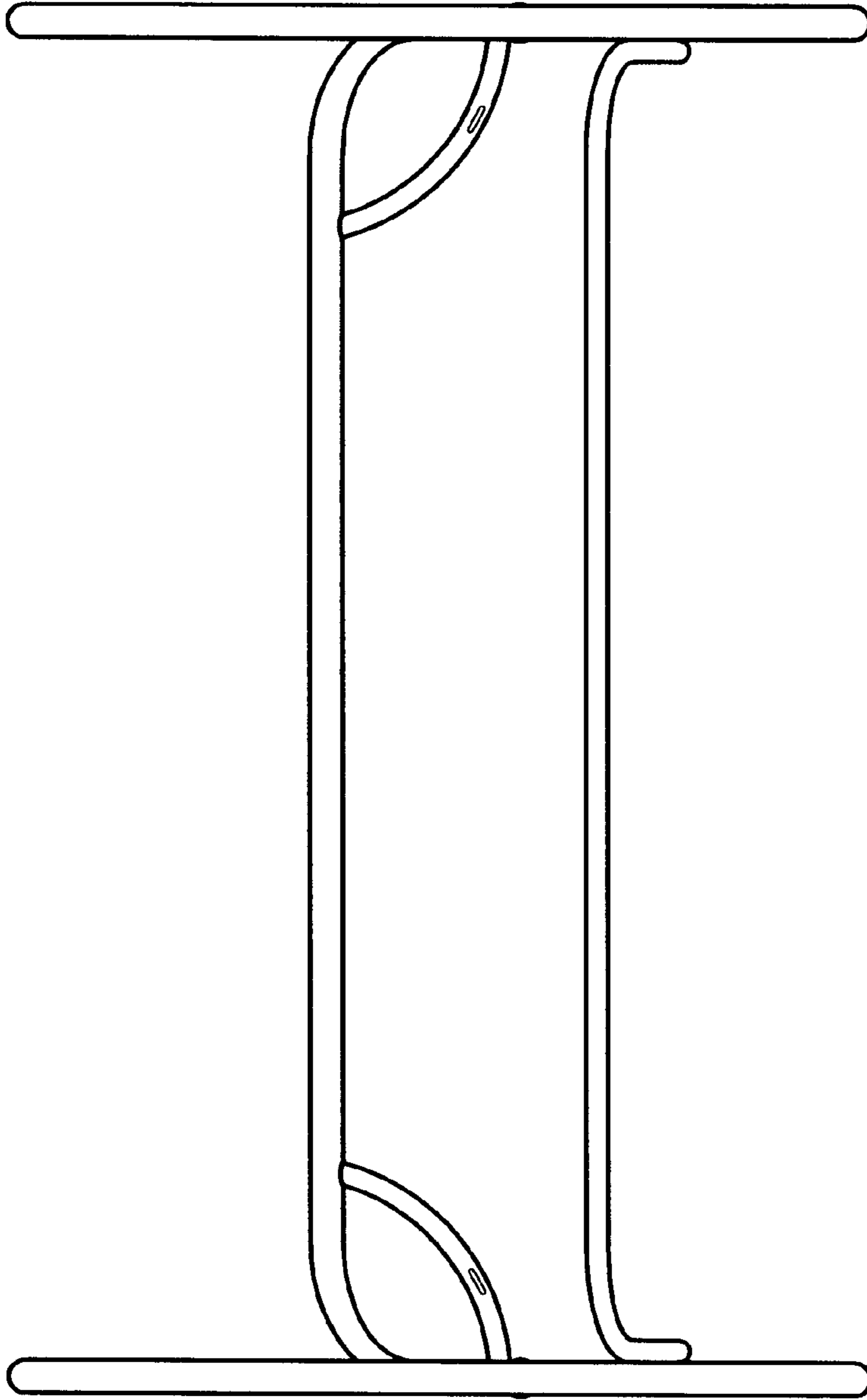


Fig. 5

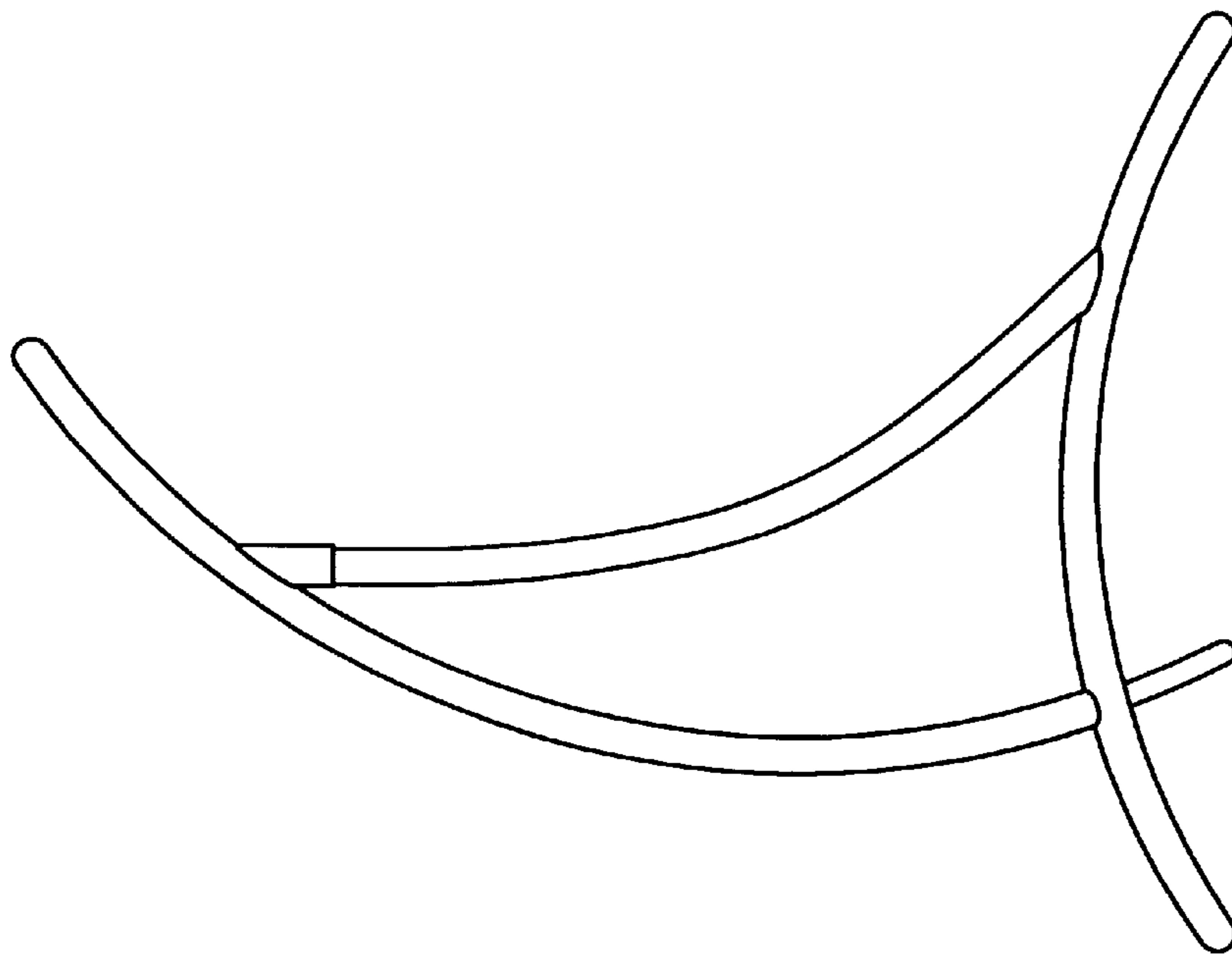


Fig. 6

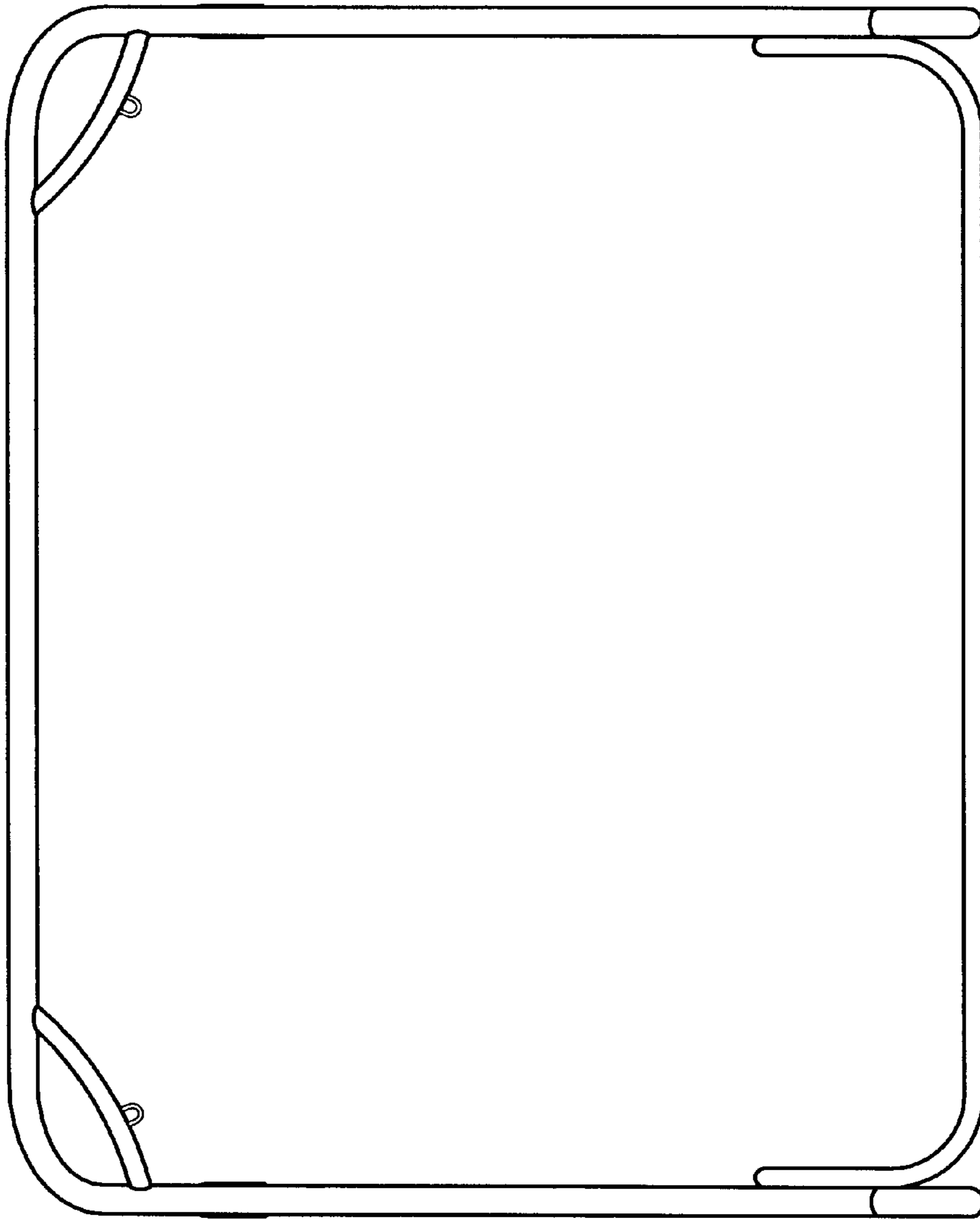


Fig. 7

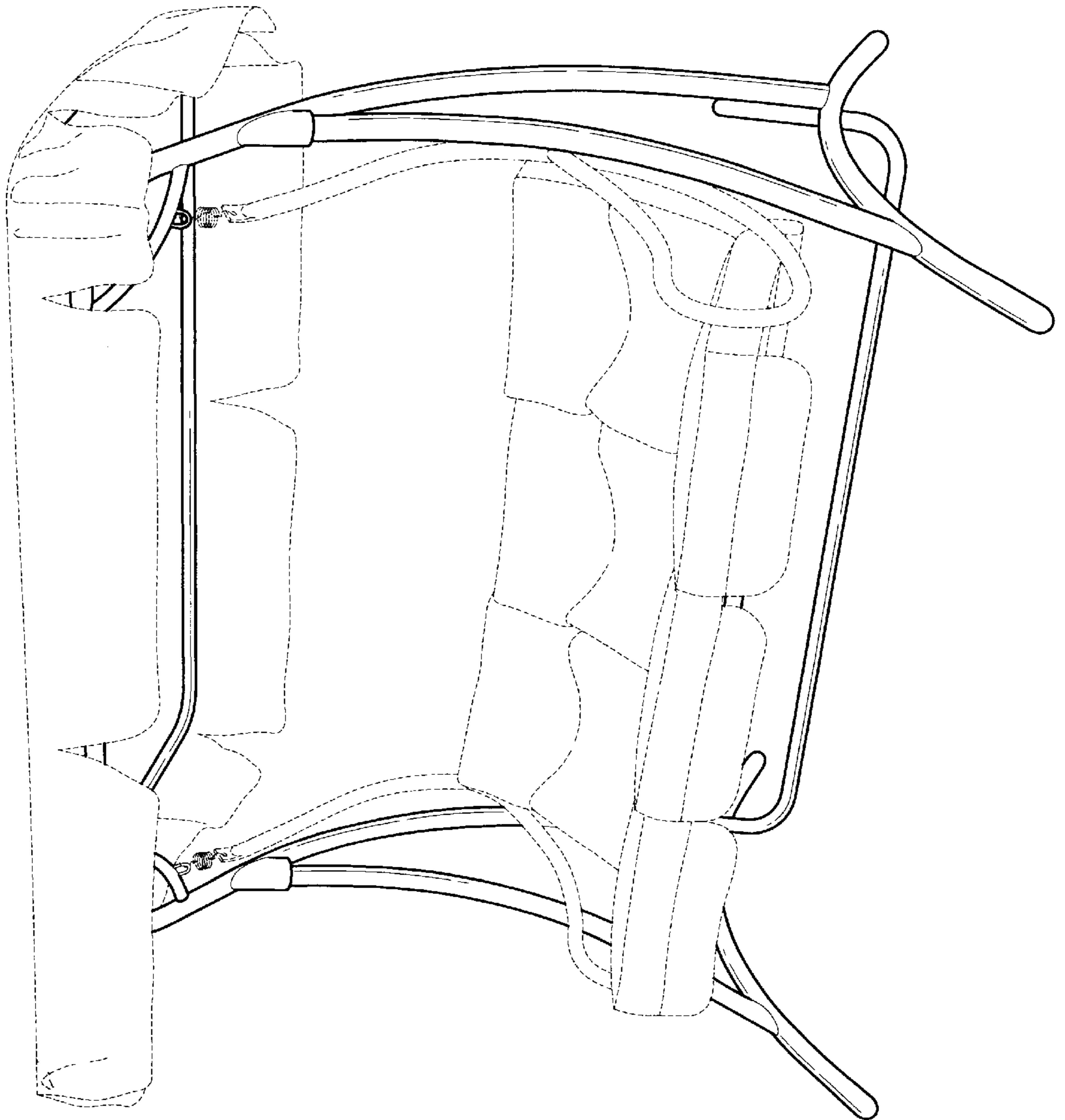


Fig. 8