



US00D459098S

(12) **United States Design Patent**
Poarch et al.

(10) **Patent No.:** **US D459,098 S**

(45) **Date of Patent:** **** Jun. 25, 2002**

(54) **COUNTERTOP AND SEATING APPARATUS FOR 3-WHEELED MOTORCYCLE VEHICLES**

Primary Examiner—Doris V. Coles
Assistant Examiner—Mimosa De
(74) *Attorney, Agent, or Firm—Olson and Olson*

(76) Inventors: **Michael J. Poarch, deceased**, late of Prineville, OR (US); by **Vickie L Poarch, personal representative**, 1555 NE. 3rd, #115, Ochoco Plz., Prineville, OR (US) 97754

(57) **CLAIM**

The ornamental design for a countertop and seating apparatus for 3-wheeled motorcycle vehicles, as shown and described.

(**) Term: **14 Years**

DESCRIPTION

(21) Appl. No.: **29/142,710**

FIG. 1 is a side elevational view of a countertop and seating apparatus for 3-wheeled motorcycle vehicles showing our new design, the broken line is for illustrative purposes only and forms no part of the claimed design.

(22) Filed: **May 31, 2001**

FIG. 2 is a perspective view of the countertop and seating apparatus of our design.

(51) **LOC (7) Cl.** **06-01**

(52) **U.S. Cl.** **D6/337**

FIG. 3 is a side elevation of the countertop and seating apparatus as viewed from the lower left in FIG. 2, the opposite side being a mirror image thereof.

(58) **Field of Search** D6/334, 335, 337, D6/340, 349, 351, 354, 355, 500-502; 297/195.1, 195.11, 174 R; D12/110; D21/538

(56) **References Cited**

U.S. PATENT DOCUMENTS

D165,690 S	*	1/1952	Kistler	D12/110
D173,910 S	*	1/1955	Neuendorf	D6/337
D184,235 S	*	1/1959	Mann	D12/110
D261,450 S	*	10/1981	Jenkins	D6/354
D310,451 S	*	9/1990	Webb	D6/337

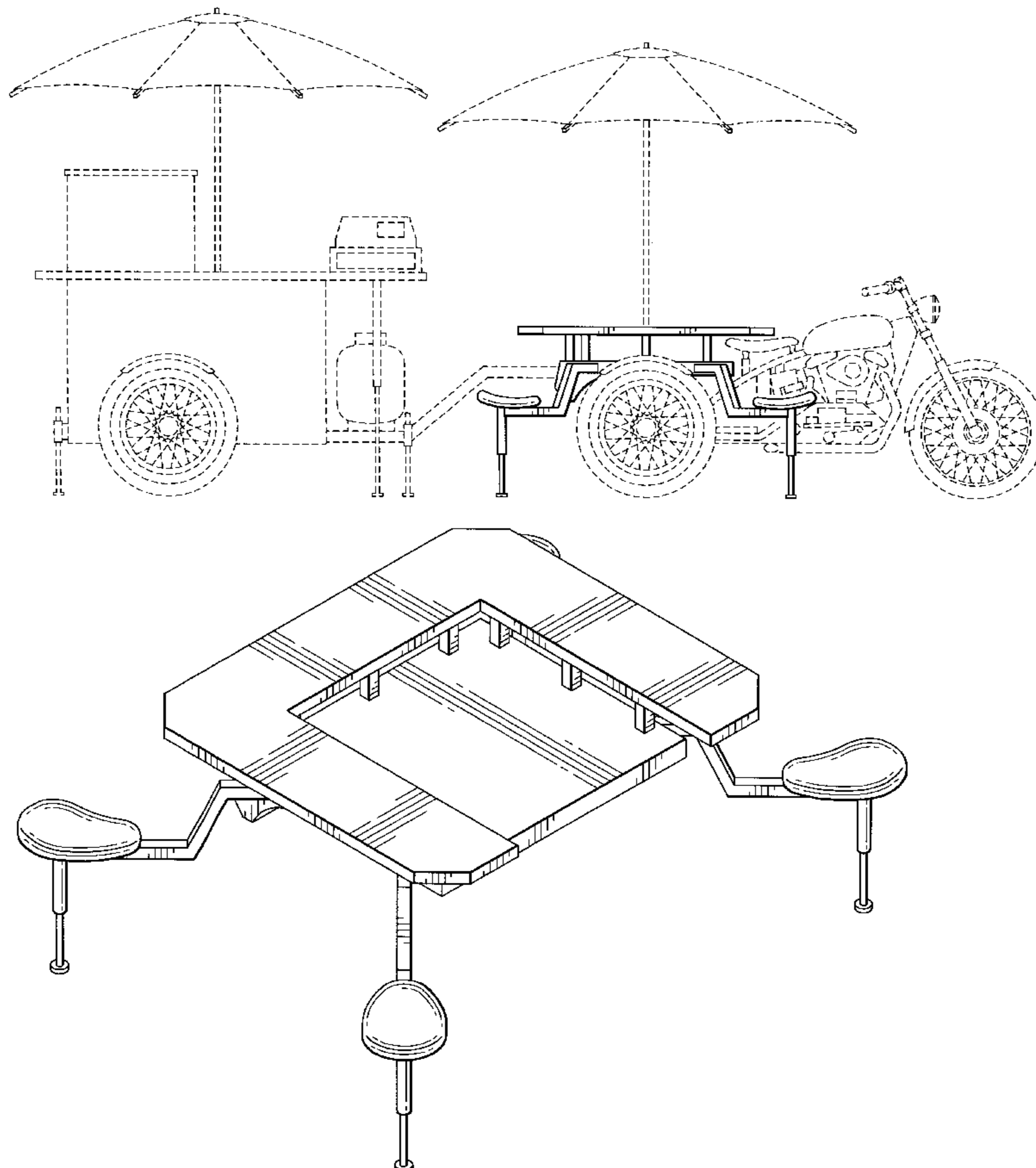
FIG. 4 is a top plan view as seen from the top in FIG. 3.

FIG. 5 is a rear elevation as viewed from the left in FIG. 3; and,

FIG. 6 is a front elevation as viewed from the right in FIG. 3.

* cited by examiner

1 Claim, 5 Drawing Sheets



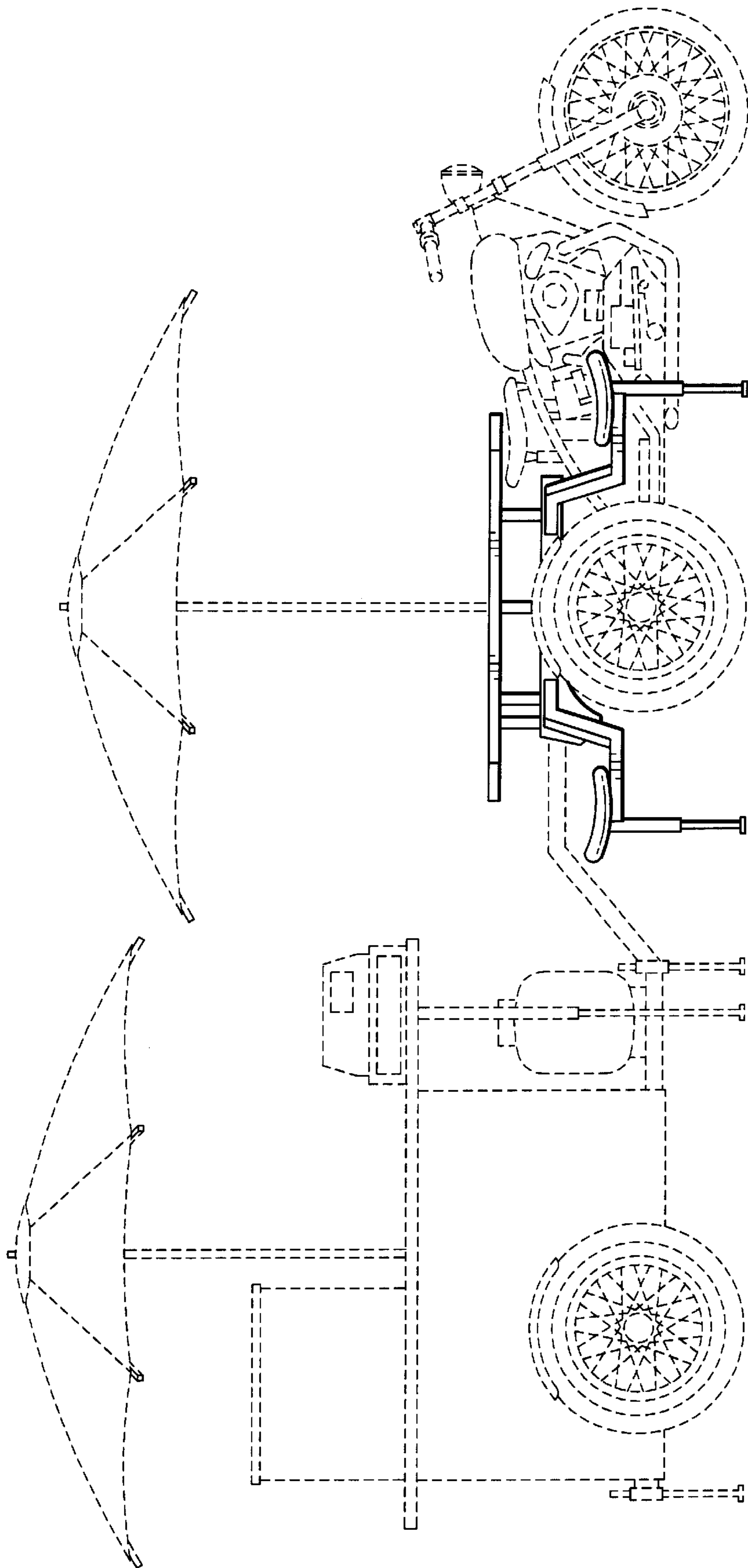
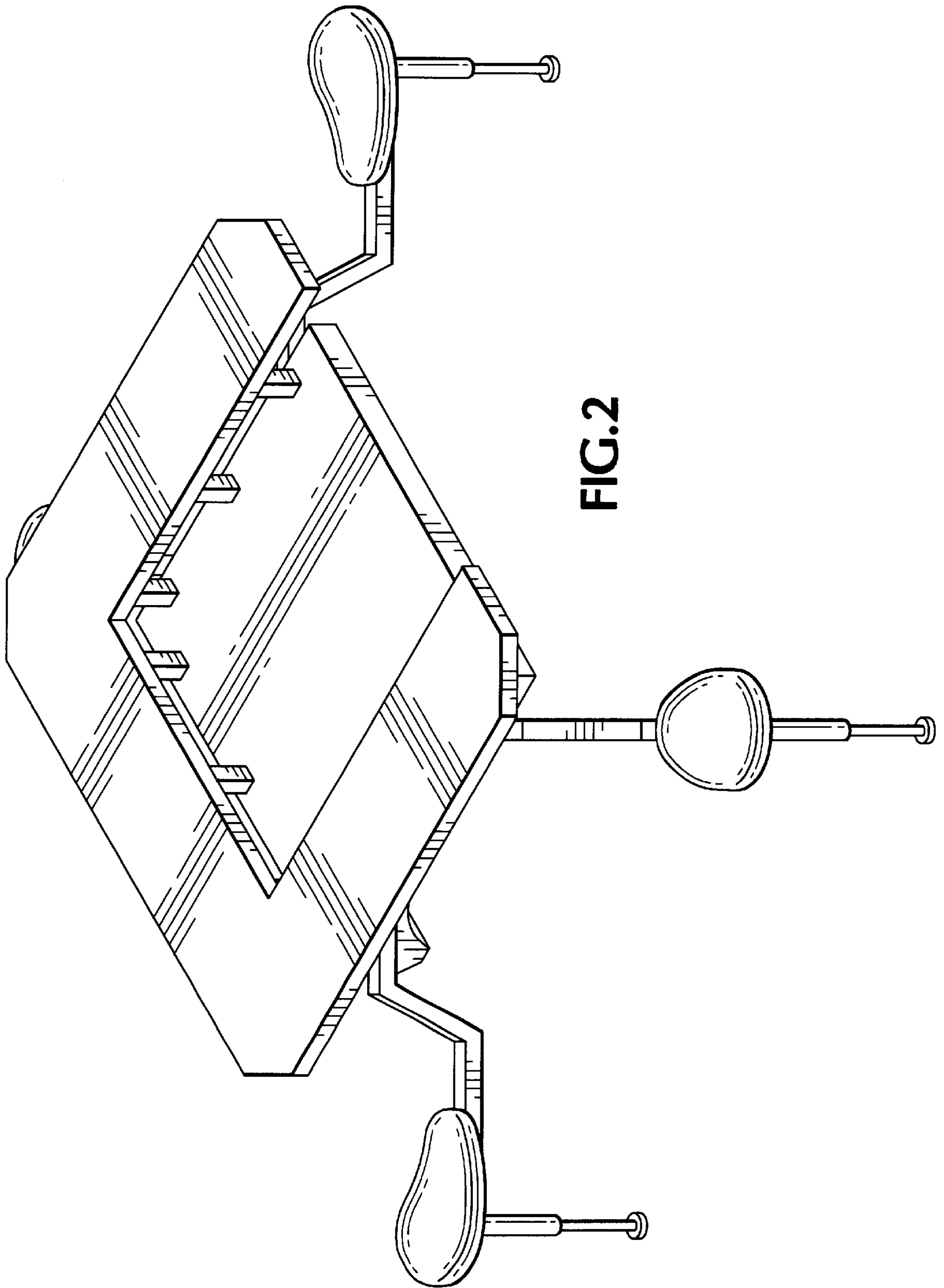


FIG. 1



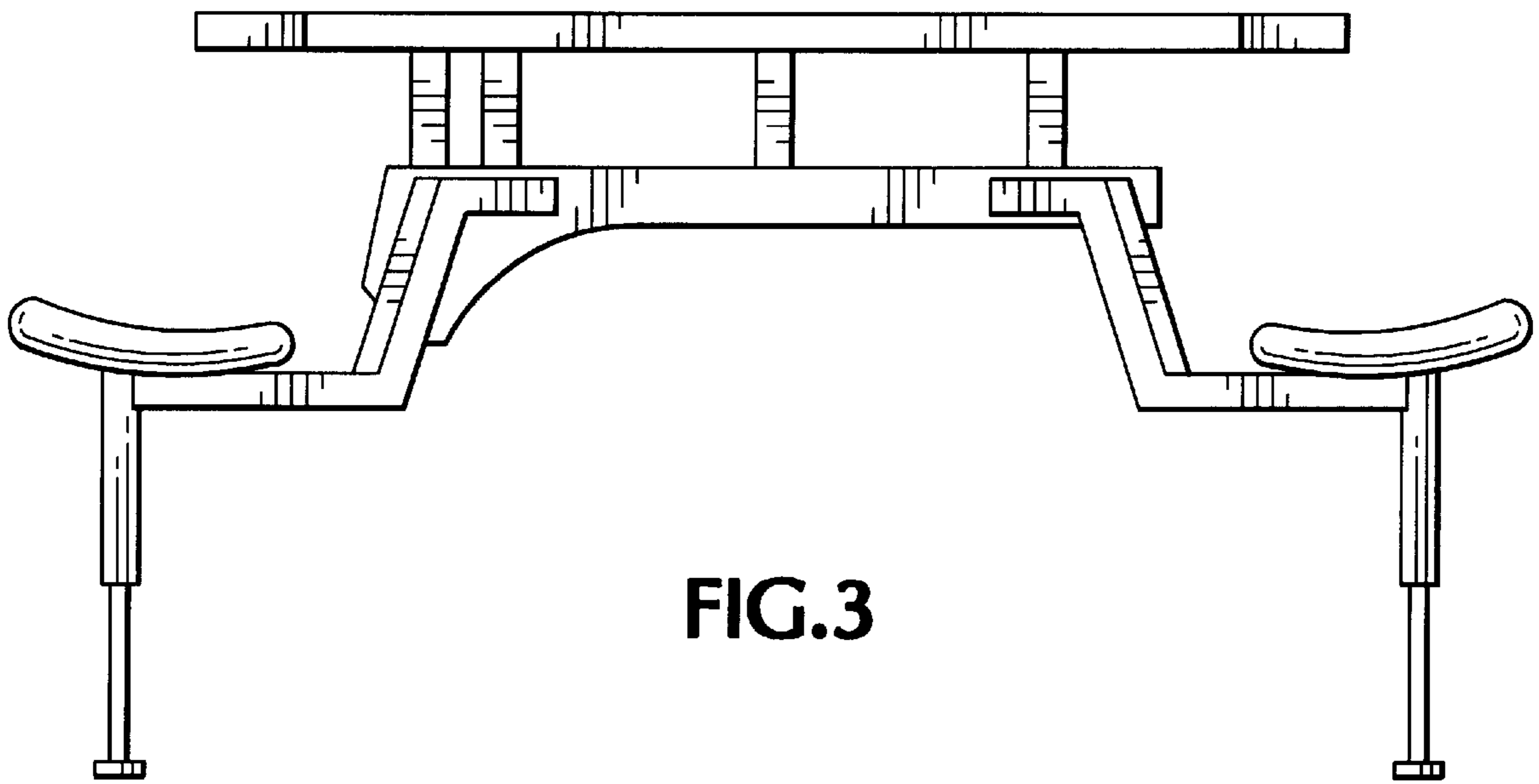


FIG. 3

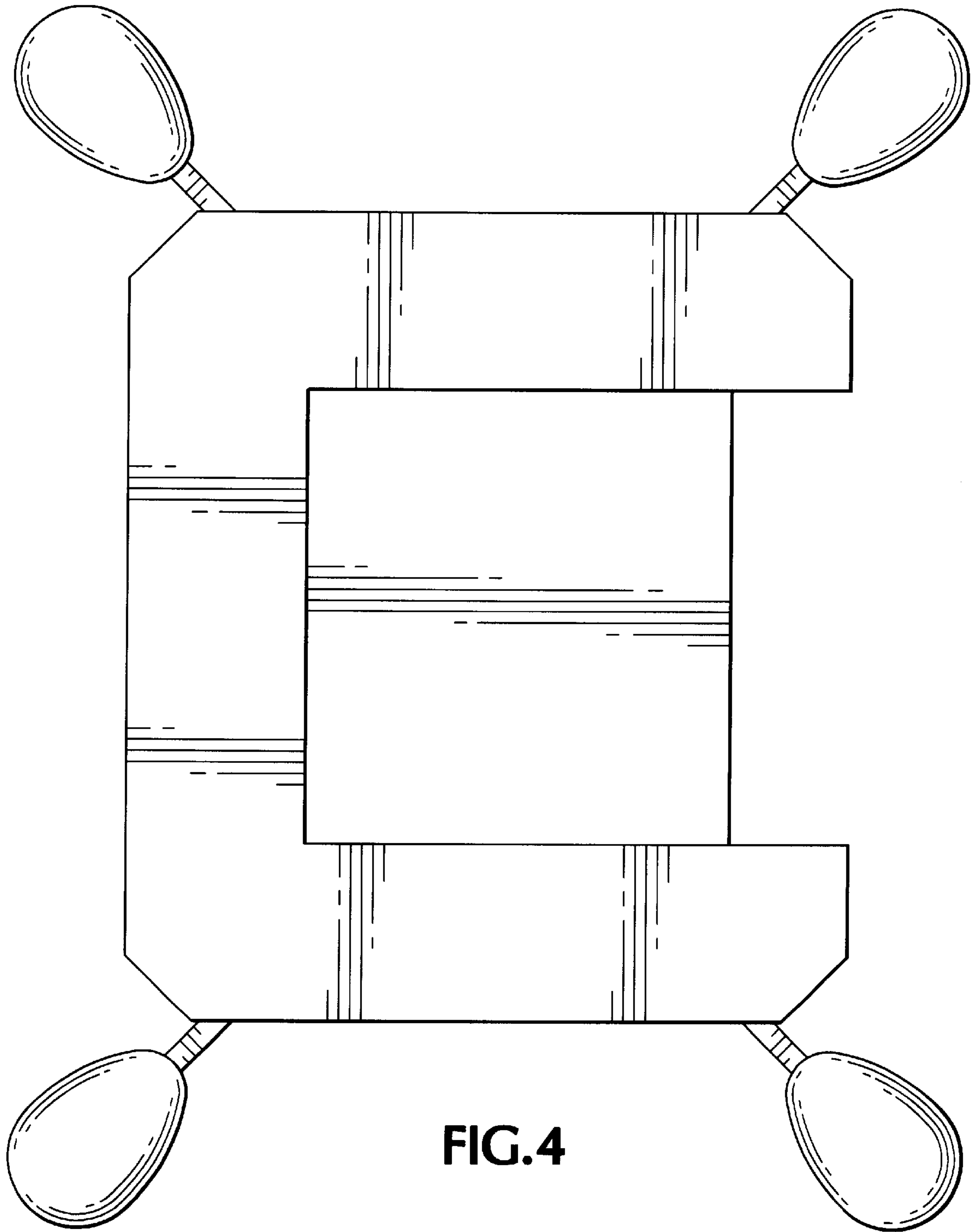


FIG. 4

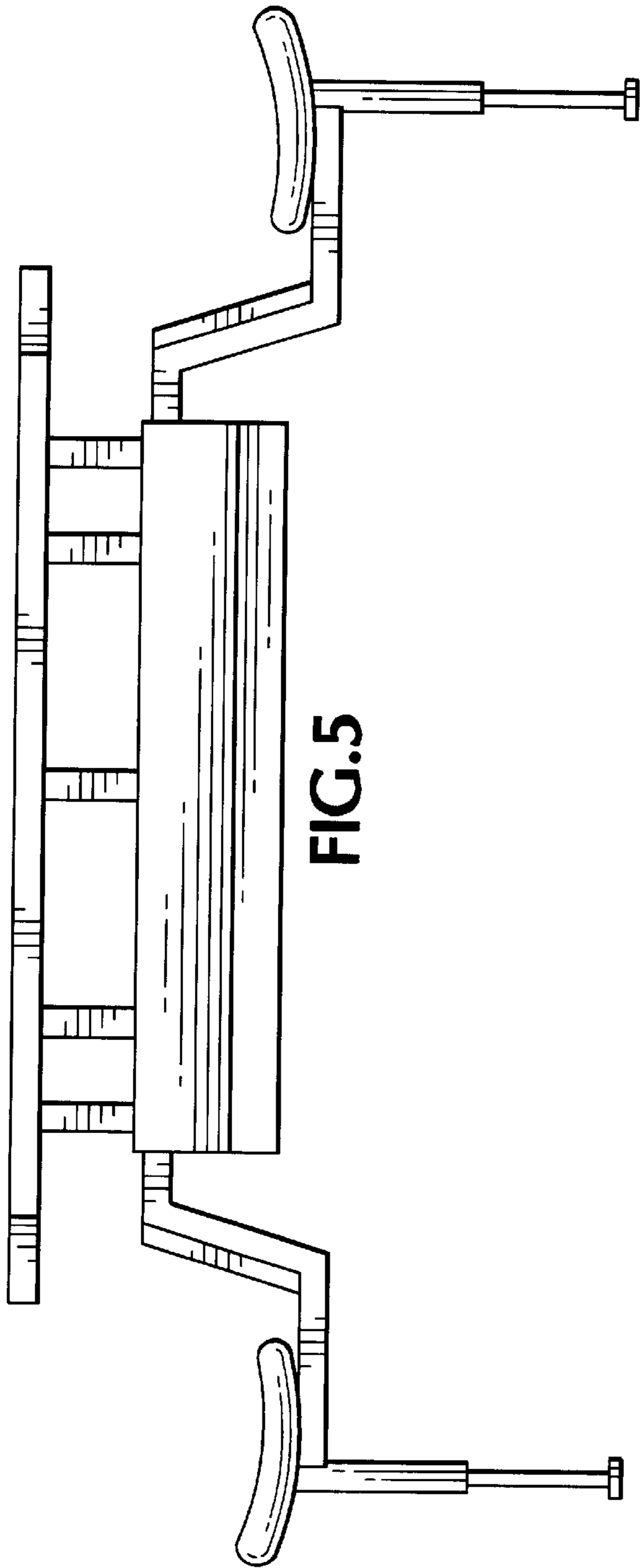


FIG. 5

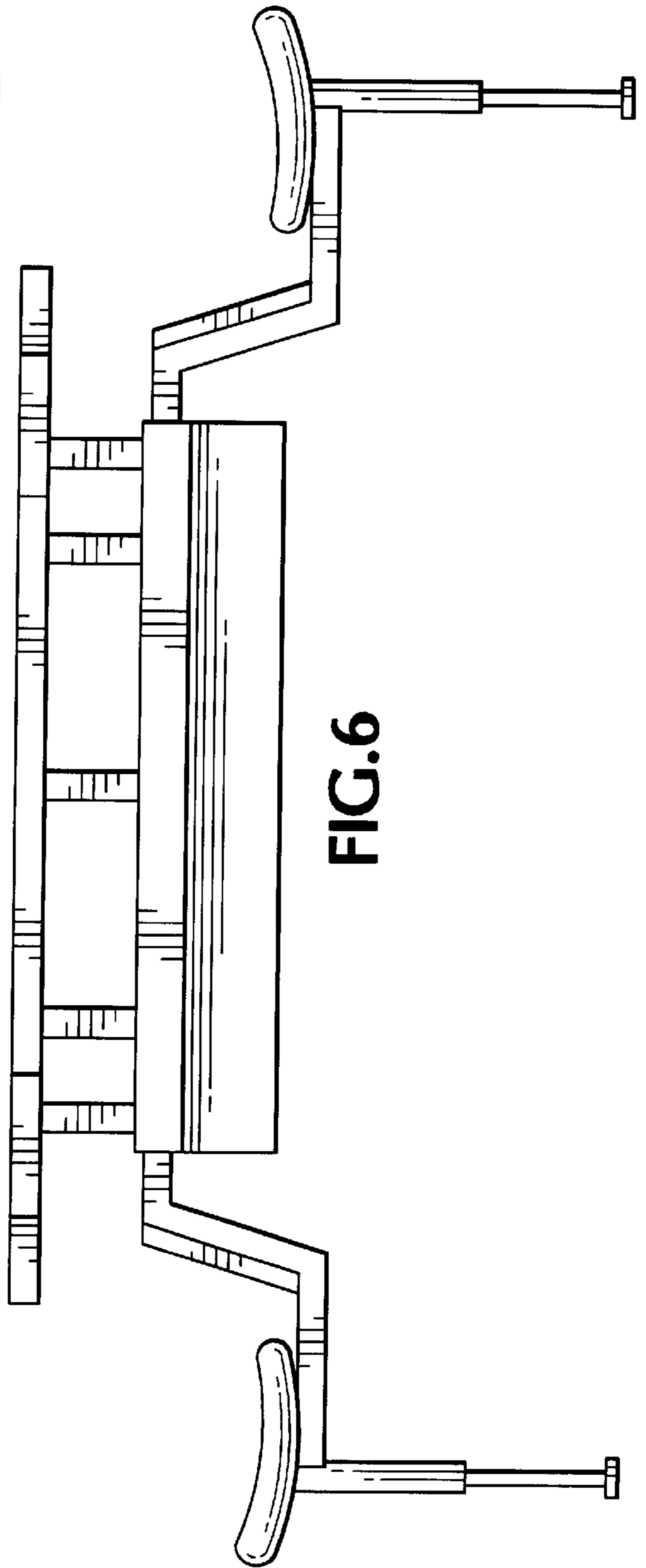


FIG. 6