



US00D459097S

(12) **United States Design Patent**
Liu

(10) **Patent No.:** **US D459,097 S**
(45) **Date of Patent:** **** Jun. 25, 2002**

(54) **FOUR-SEATING TABLE AND CHAIR**

(74) *Attorney, Agent, or Firm*—Bacon & Thomas, PLLC

(76) **Inventor:** **Lausan Chung-Hsin Liu**, No. 243,
Chien-Kuo Rd., Hsin-Tien City, Taipei
Hsien (TW)

(57) **CLAIM**

The ornamental design for “four-seating table and chair”, as shown and described.

(**) **Term:** **14 Years**

DESCRIPTION

(21) **Appl. No.:** **29/145,279**

FIG. 1 is a perspective view of four-seating table and chair showing our new design thereof;

(22) **Filed:** **Jul. 20, 2001**

FIG. 2 is a right side elevational view thereof and the left side elevational view being a mirror image thereof;

(51) **LOC (7) Cl.** **06-01**

FIG. 3 is a top plan view thereof;

(52) **U.S. Cl.** **D6/336**

FIG. 4 is a front side elevational view and the rear side elevational view being a mirror image thereof;

(58) **Field of Search** D6/334, 335, 336,
D6/337, 338, 370, 376, 379, 380, 480,
484, 487, 500–502; 108/157.15, 157.17;
297/119, 140, 157.1, 158.3

FIG. 5 is a bottom plan view thereof;

FIG. 6 is a perspective view thereof shown in using position;

(56) **References Cited**

U.S. PATENT DOCUMENTS

1,586,487	A	*	5/1926	Thixton	297/157.1
2,382,183	A	*	8/1945	Thaxton	297/157.1
D194,982	S	*	4/1963	Careaga	D6/337
3,212,815	A	*	10/1965	Wardlaw et al.	297/157.1
D287,680	S	*	1/1987	Lonngren	D6/484
4,941,413	A	*	7/1990	Vanderminden	108/157.15
D322,000	S	*	12/1991	Rosen	D6/487
D341,731	S	*	11/1993	Ferguson	D6/484
D342,620	S	*	12/1993	Tseng	D6/370
D359,172	S	*	6/1995	Arthur, Jr.	D6/379
D440,080	S	*	4/2001	Suzuki	D6/484

FIG. 7 is a right side elevational view of the table and the left side elevational view being a mirror image thereof;

FIG. 8 is a top plan view of the table;

FIG. 9 is a front side view of the table and the rear side view being a mirror image thereof;

FIG. 10 is the bottom plan view of the table;

FIG. 11 is right side elevational view of the chair the left side elevational view being a mirror image thereof;

FIG. 12 is the top plan view of the chair;

FIG. 13 is the front side elevational view of the chair;

FIG. 14: is the bottom plan view of the chair; and,

FIG. 15: is the rear side elevational view of the chair.

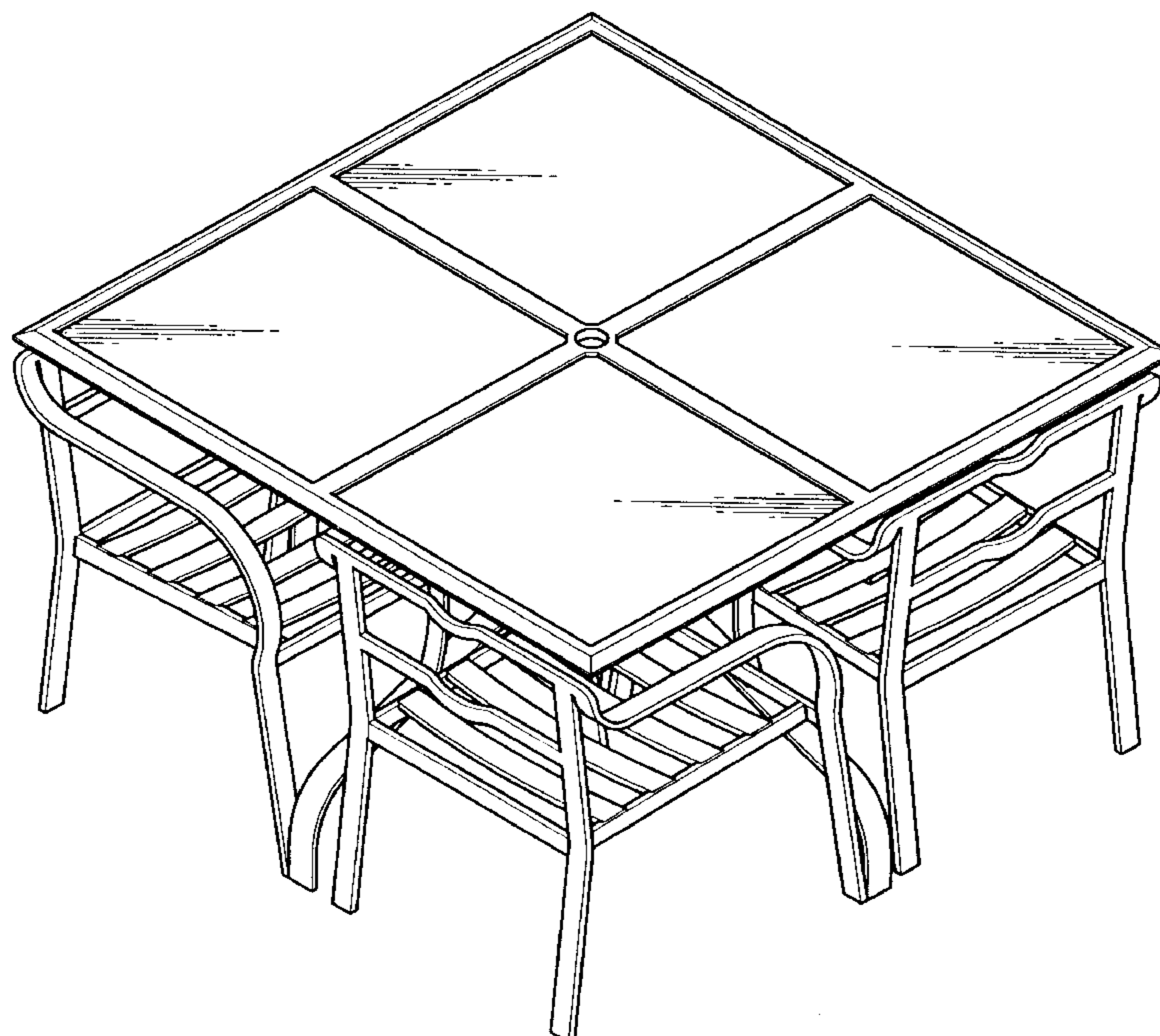
The chairs have not been shown in FIGS. 7 through 10 for ease of illustration.

The table has not been shown in FIGS. 11 through 15 for ease of illustration.

* cited by examiner

Primary Examiner—Doris V. Coles
Assistant Examiner—Mimosa De

1 Claim, 15 Drawing Sheets



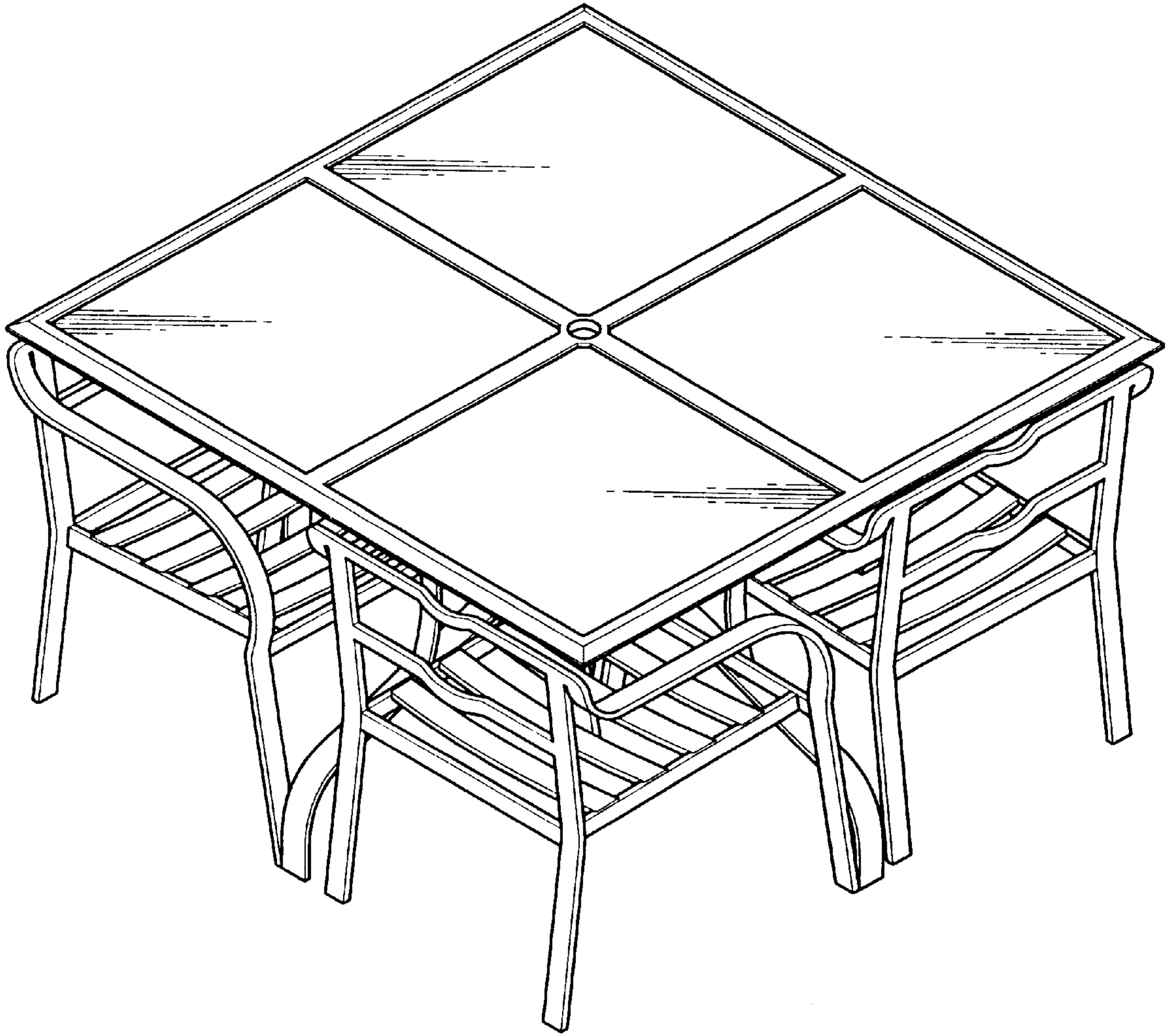


Fig. 1

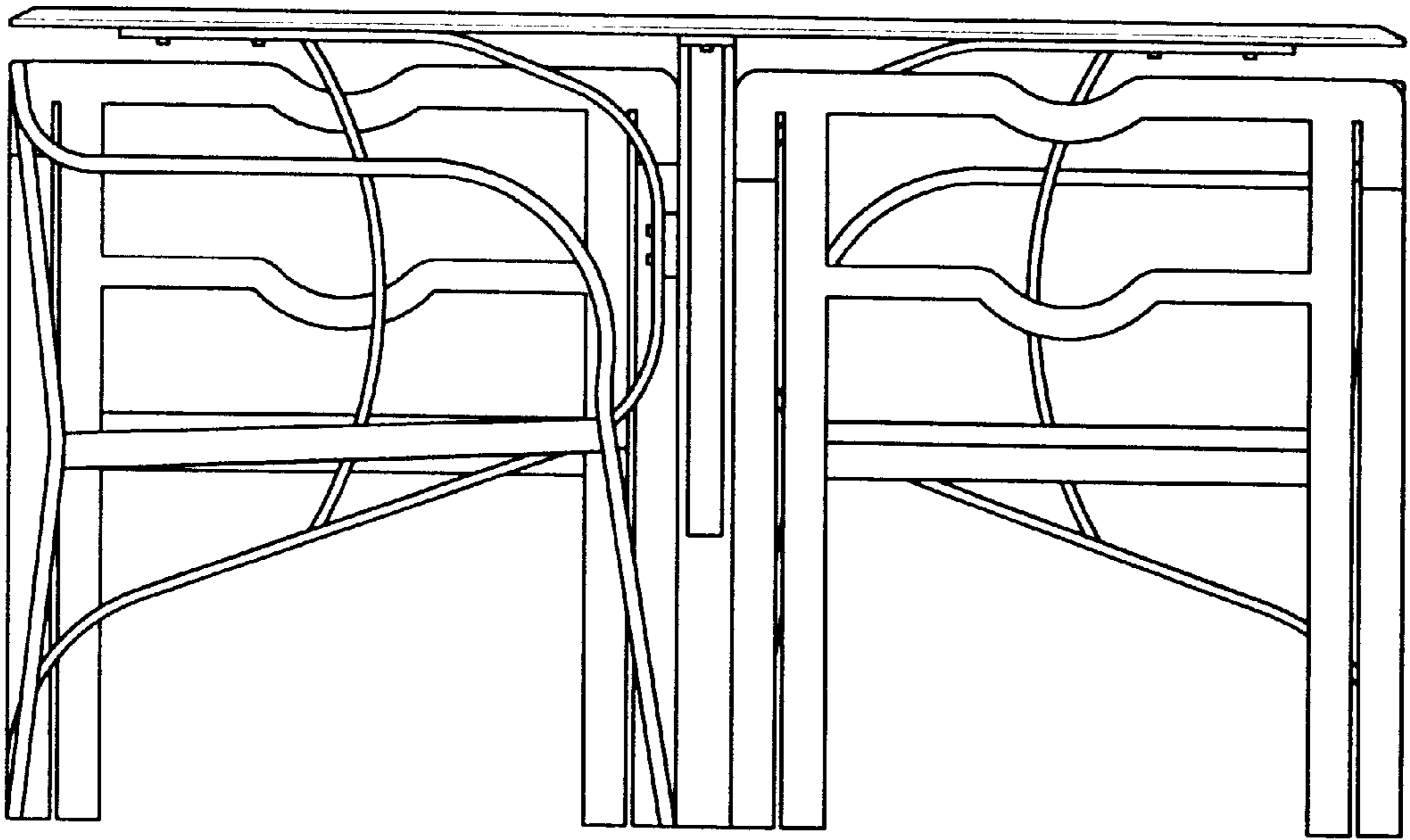


Fig. 2

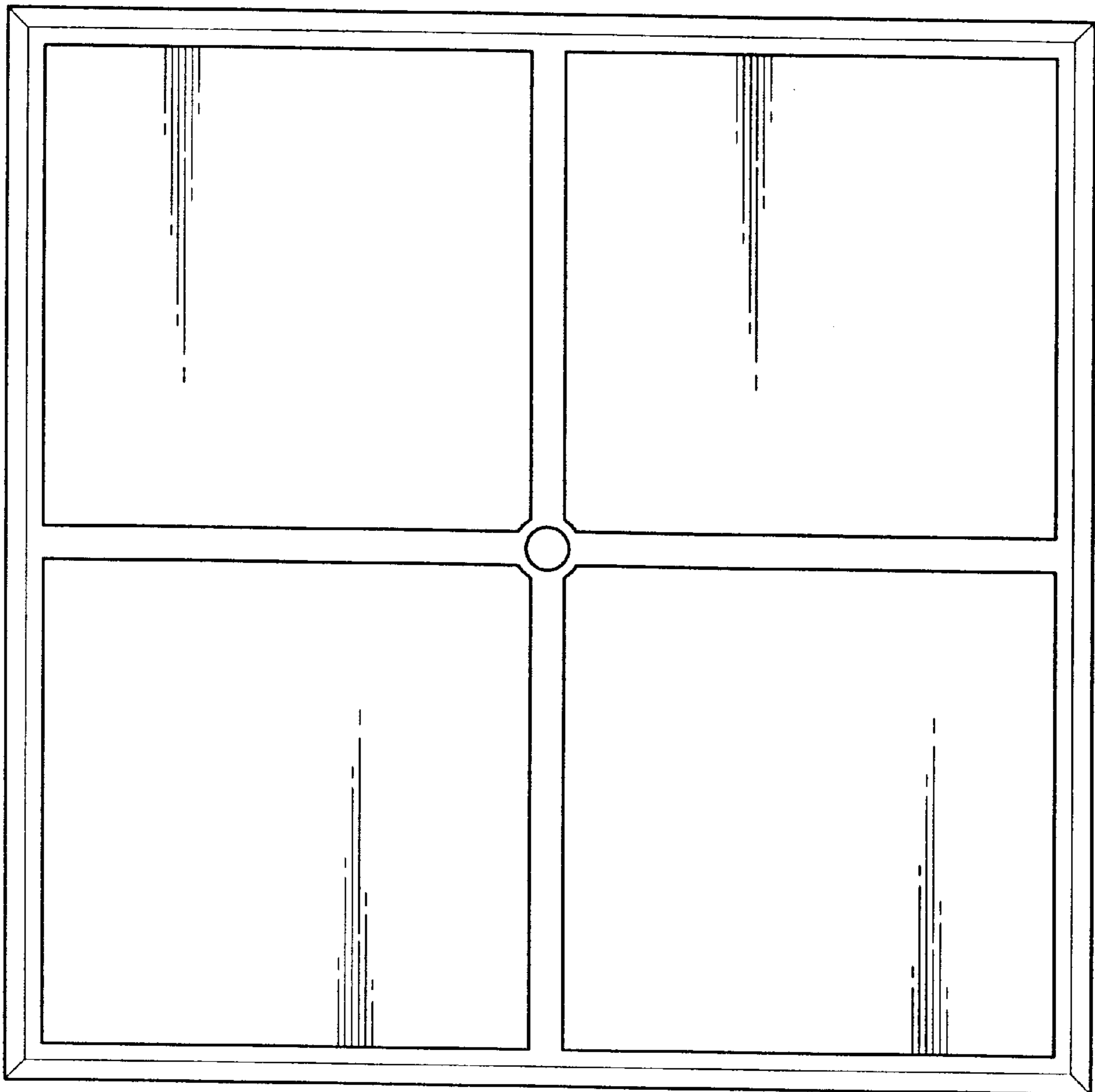


Fig. 3

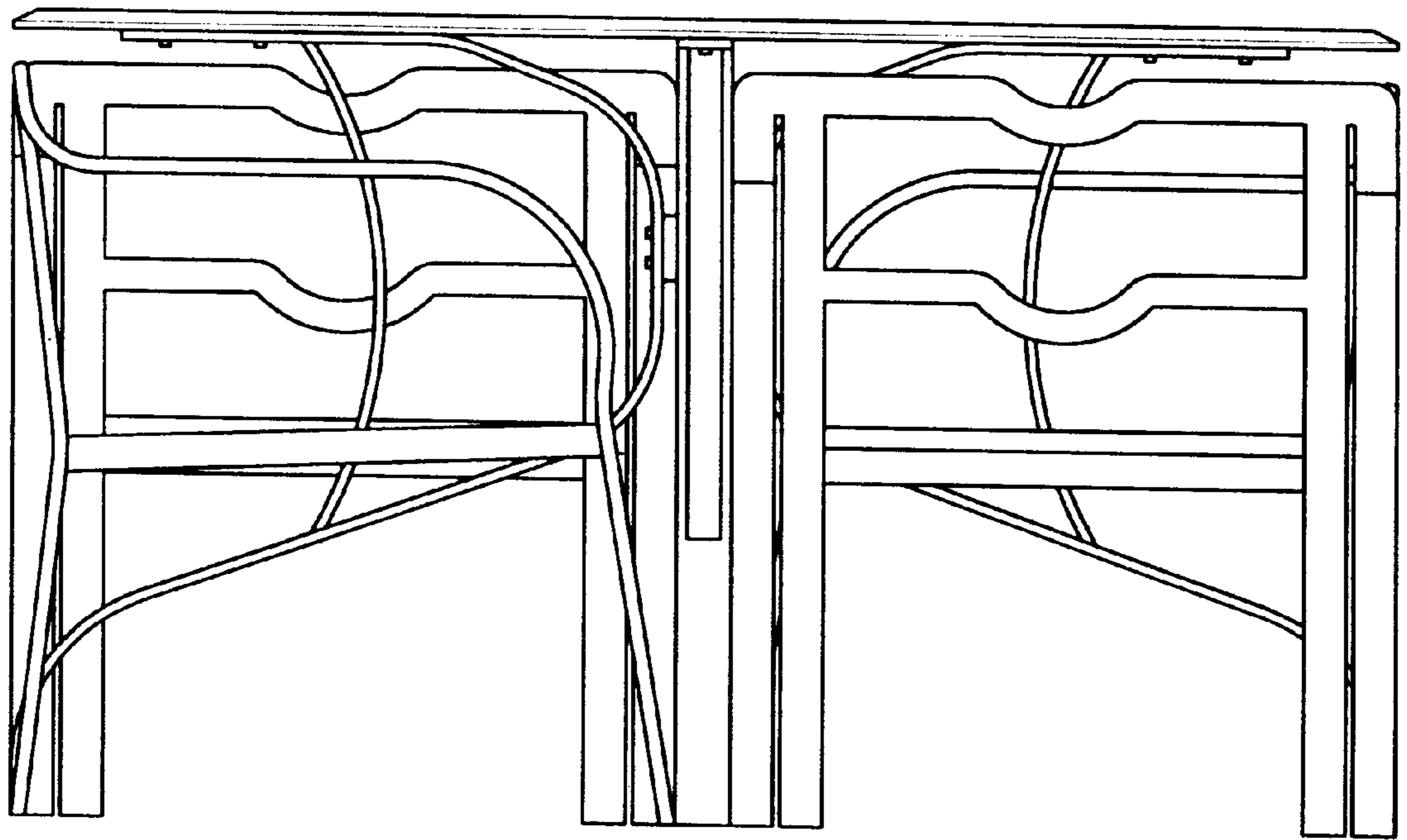


Fig. 4

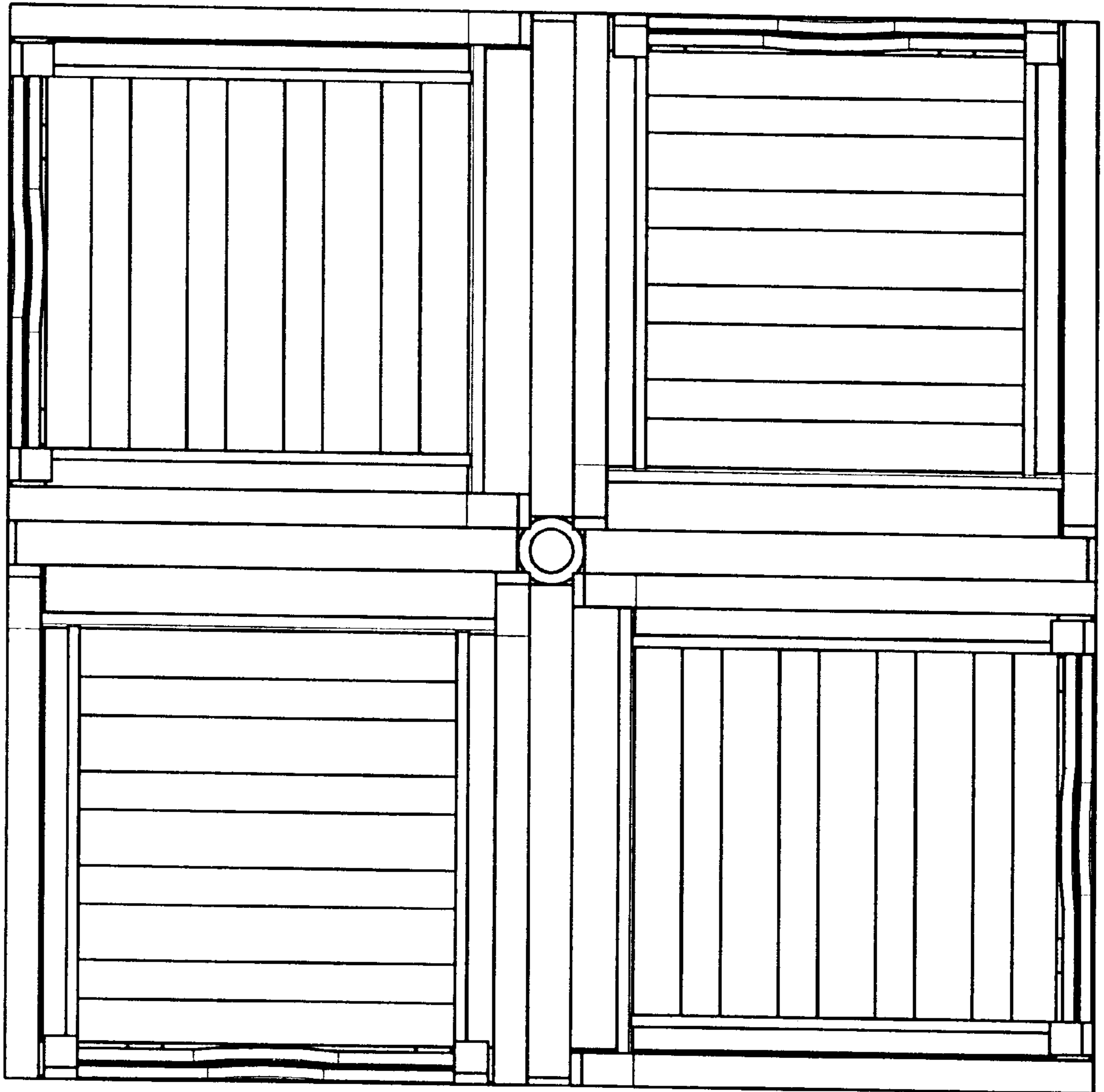


Fig. 5

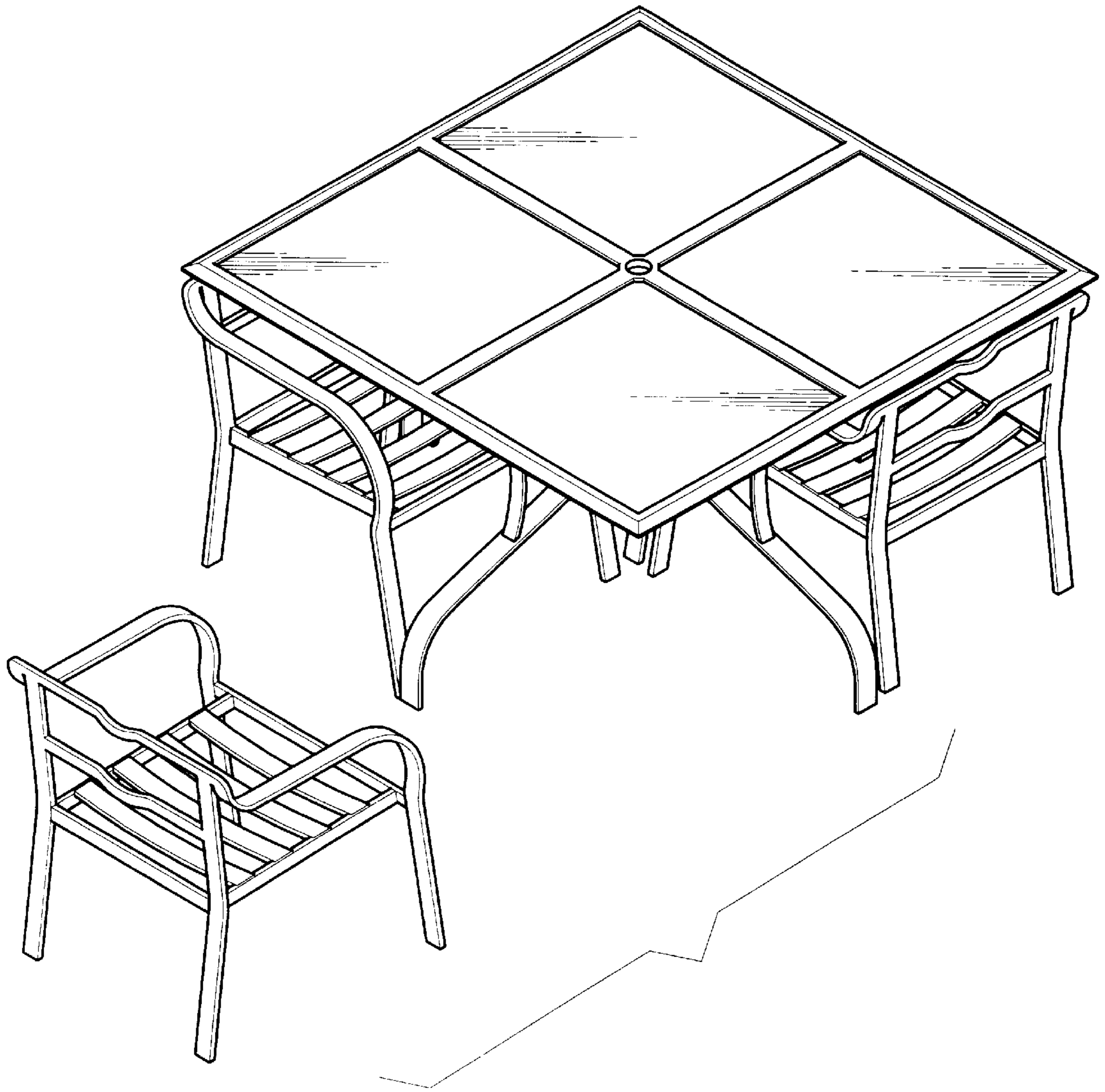


Fig.6

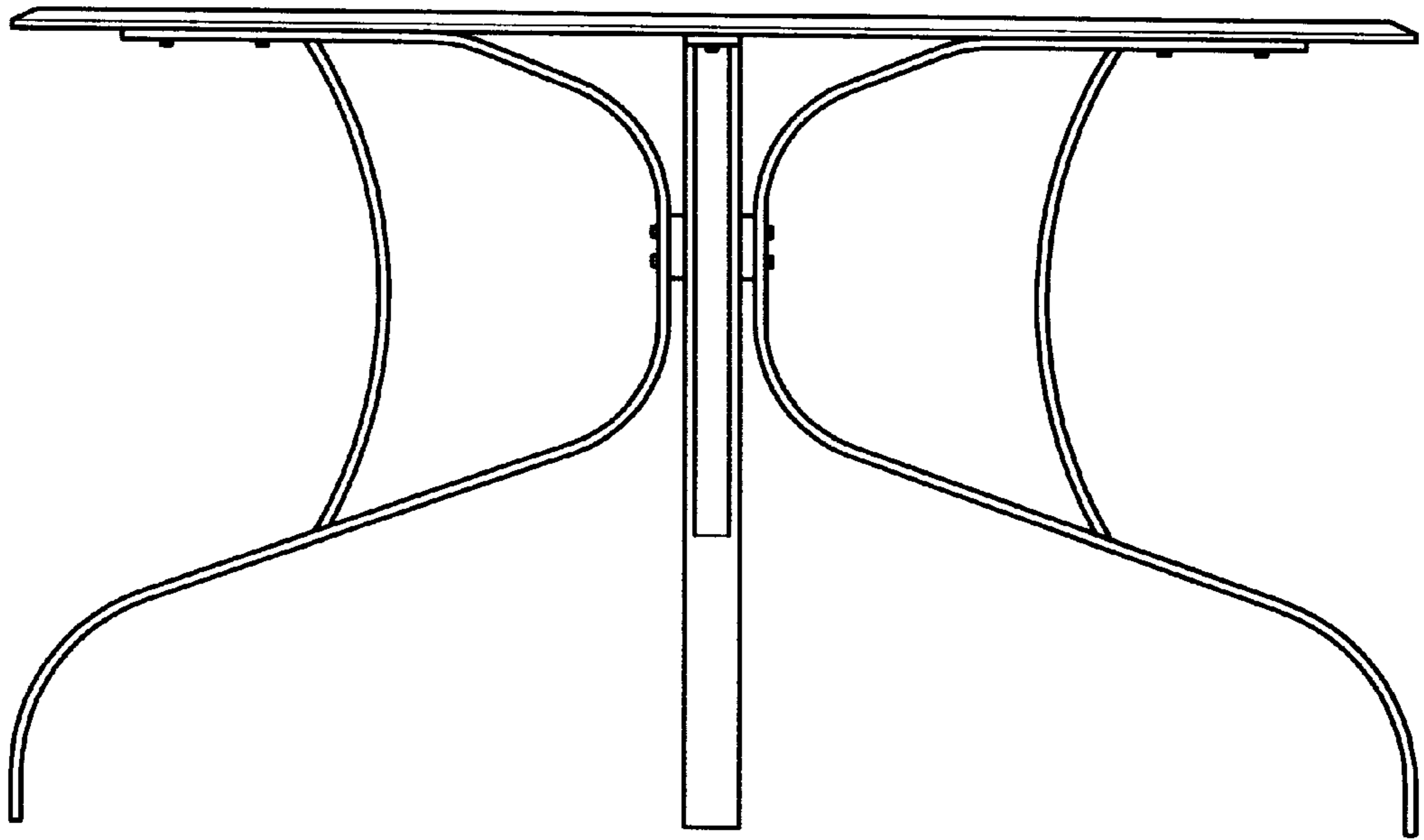


Fig. 7

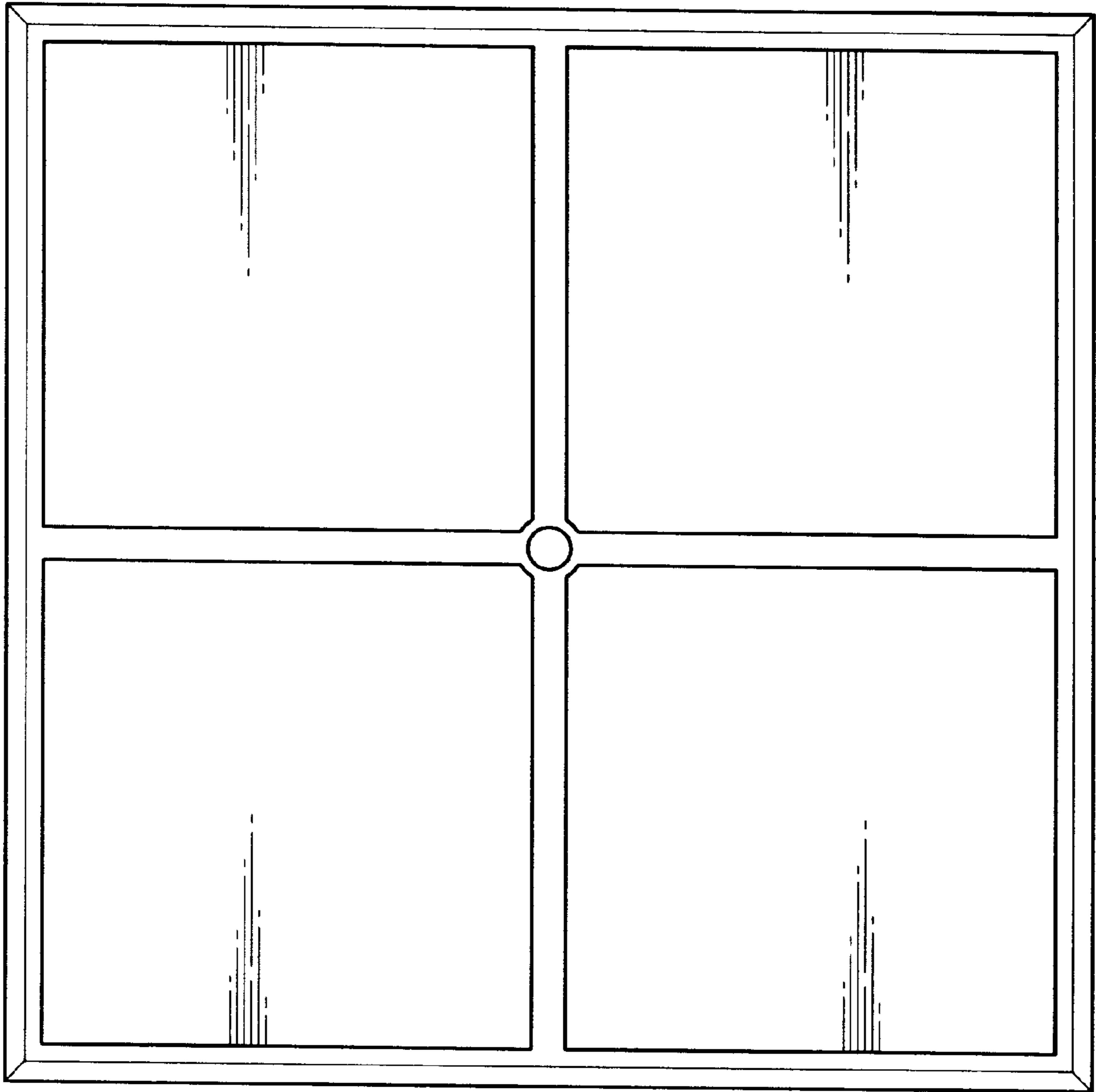


Fig. 8

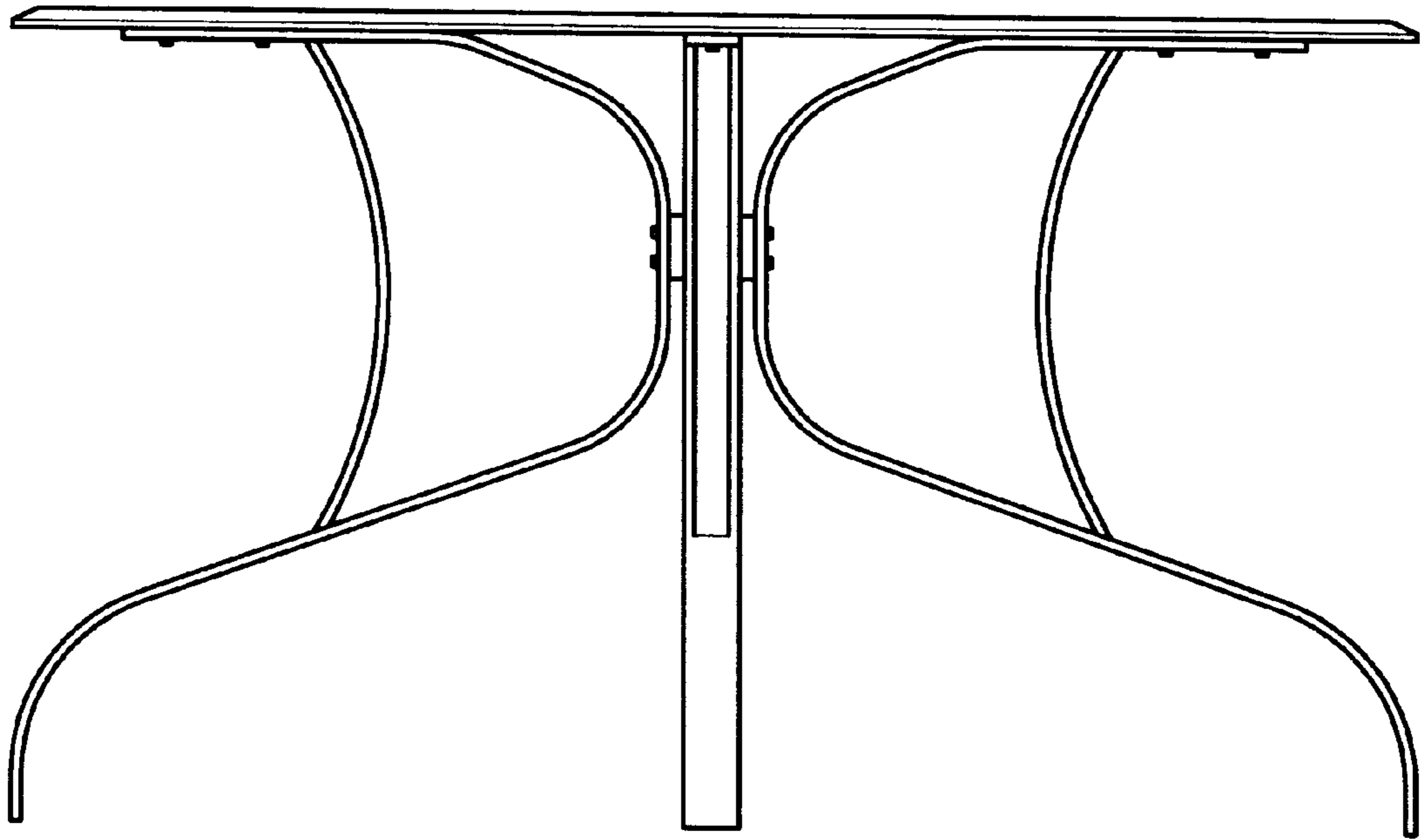


Fig. 9

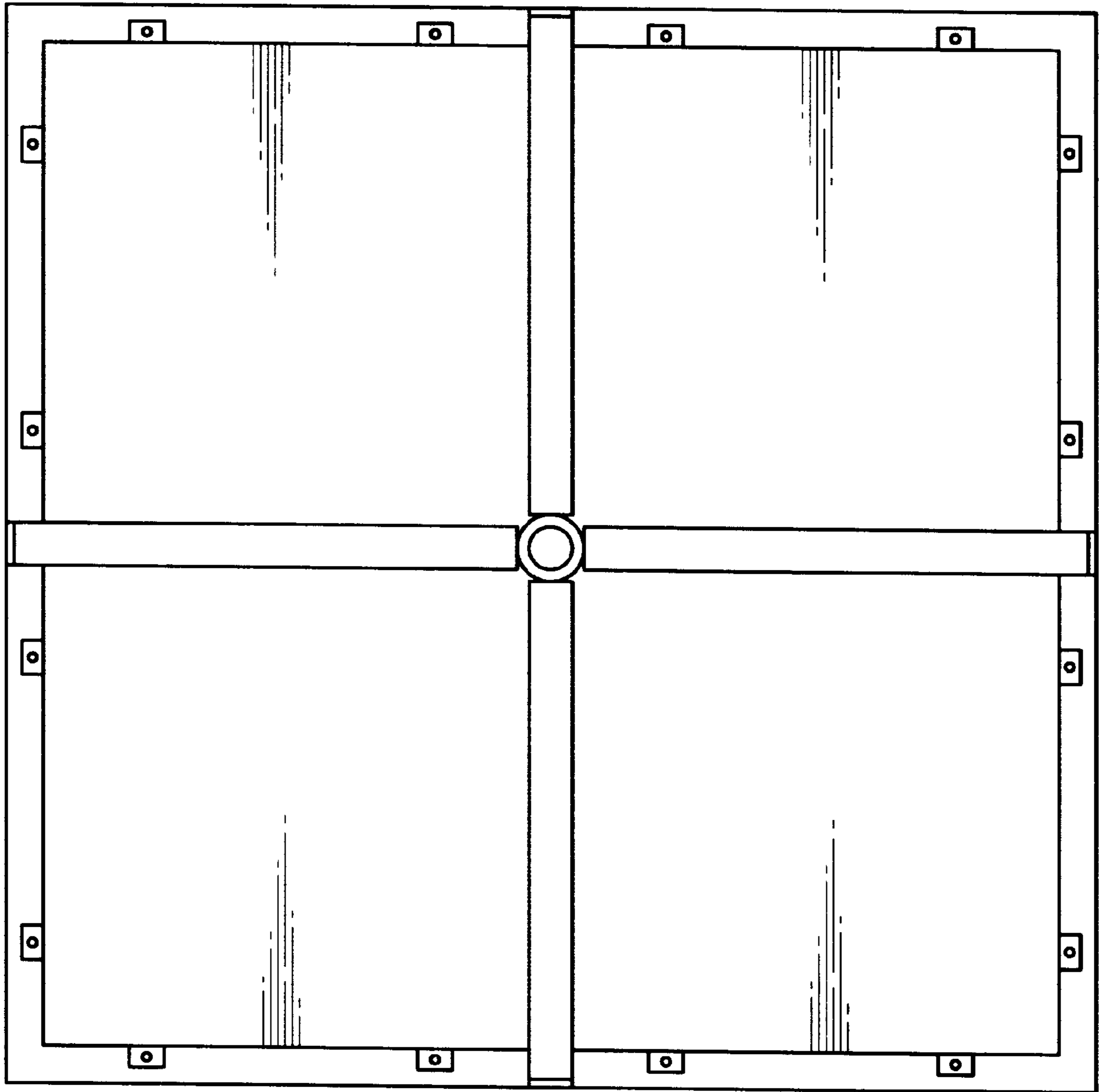


Fig. 10

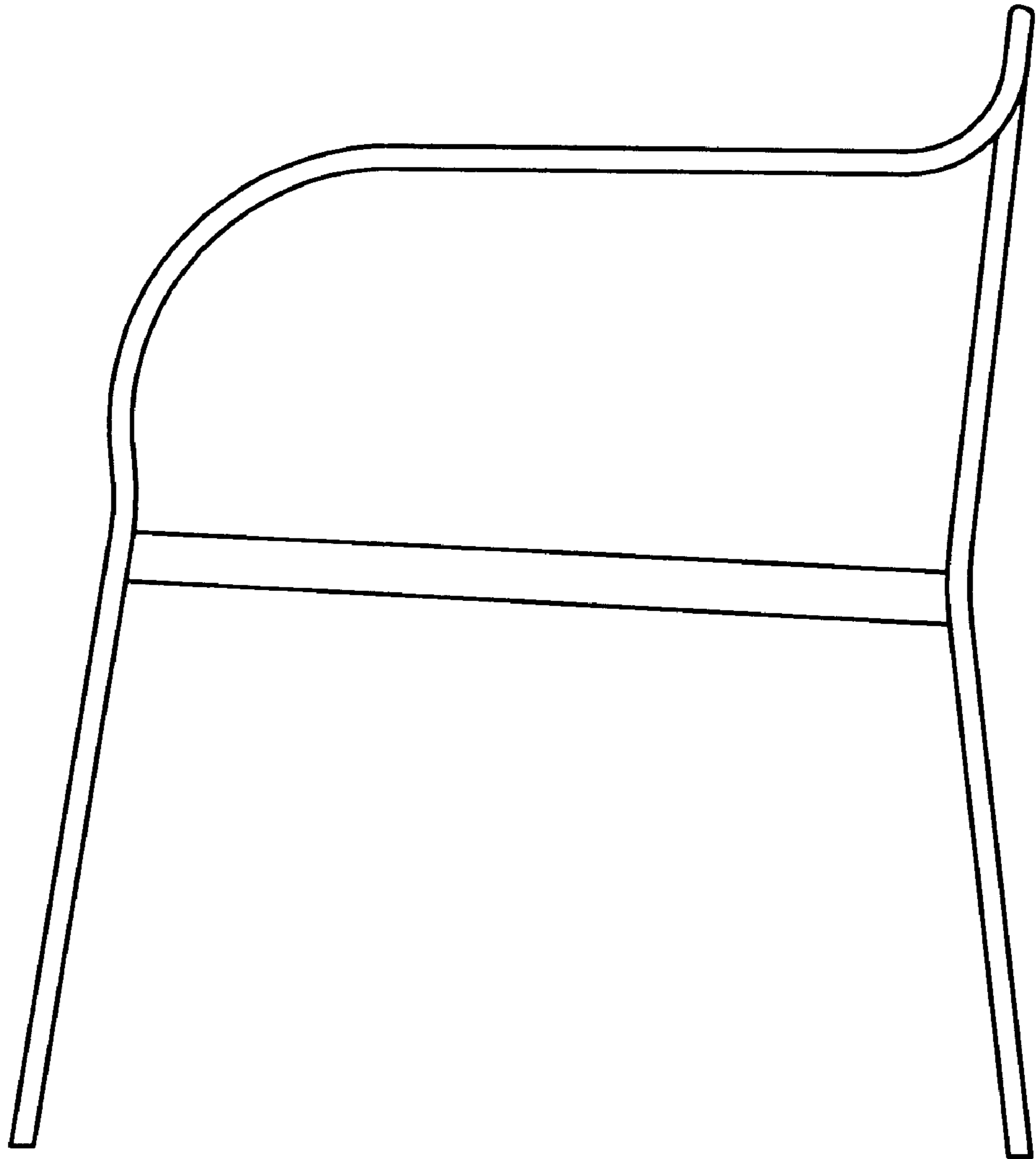


Fig. 11

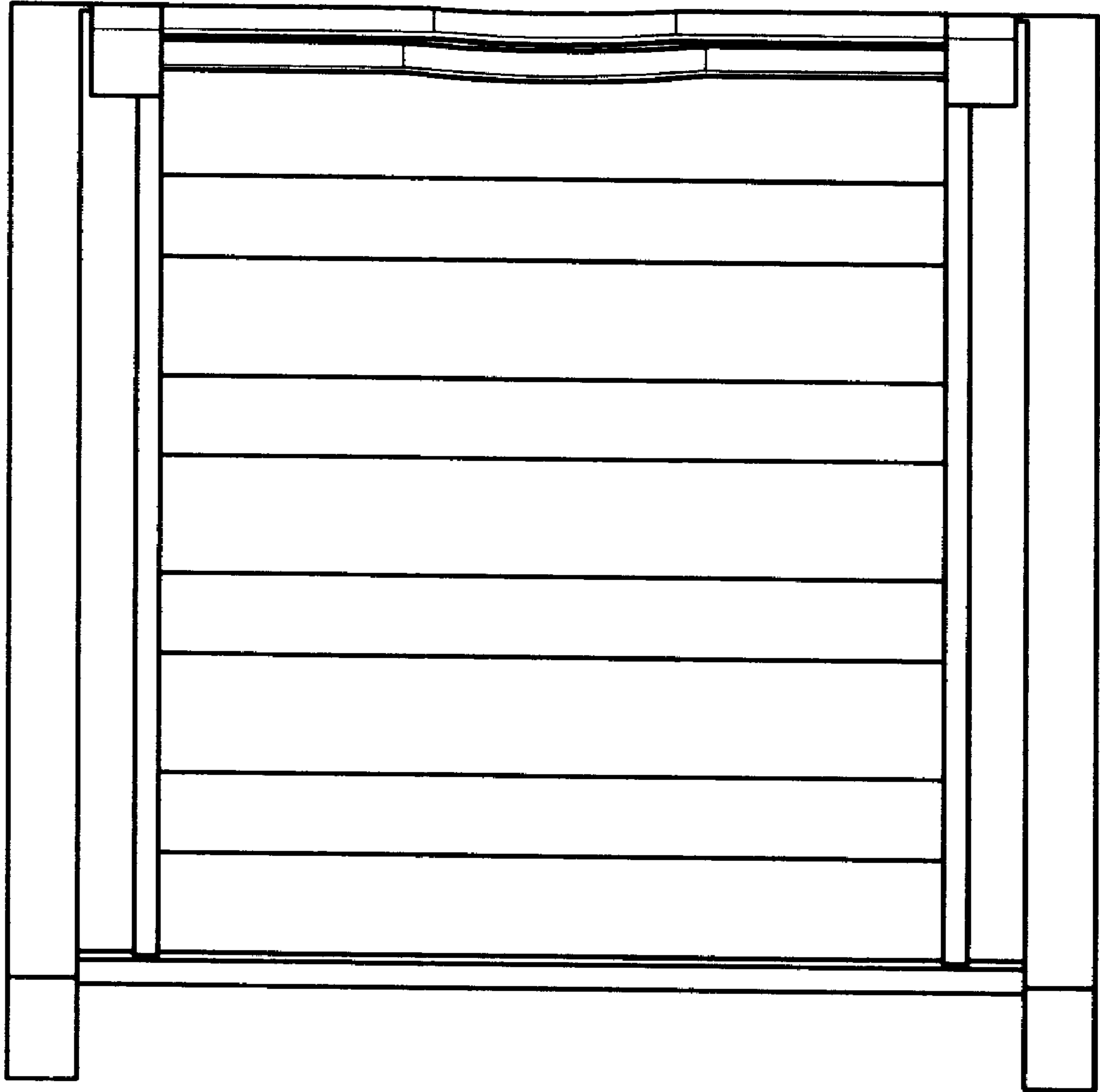


Fig. 12

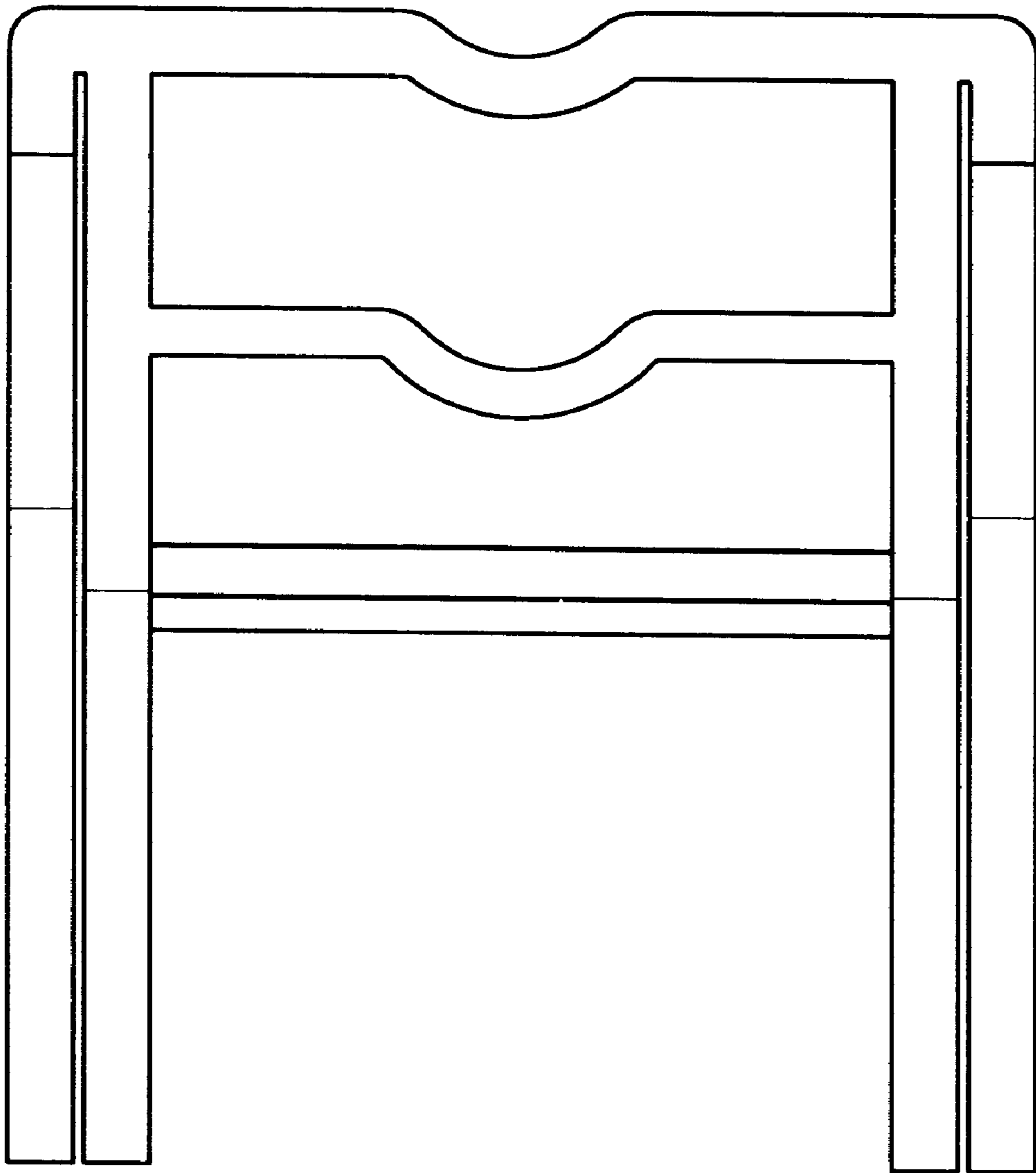


Fig. 13

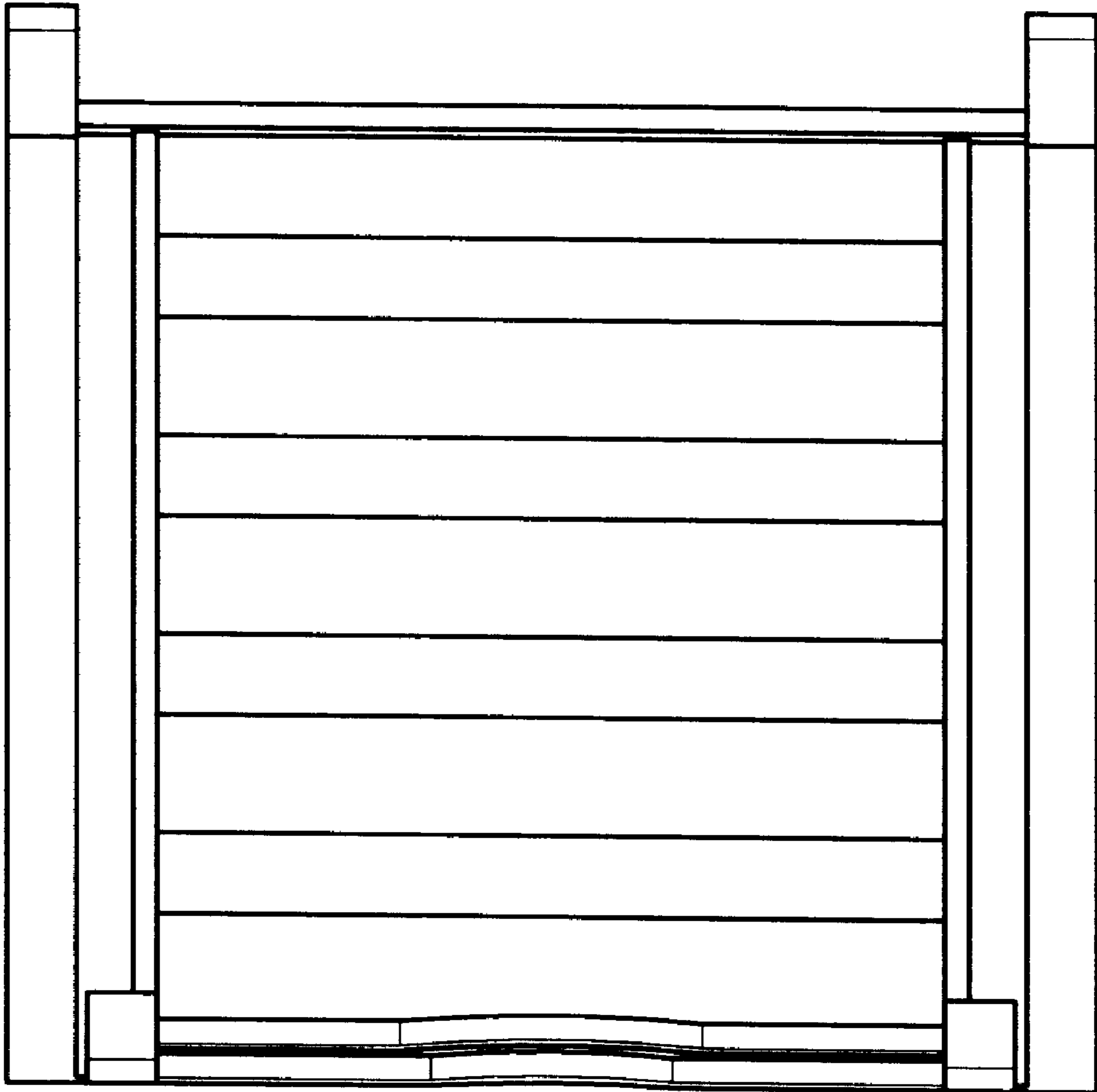


Fig. 14

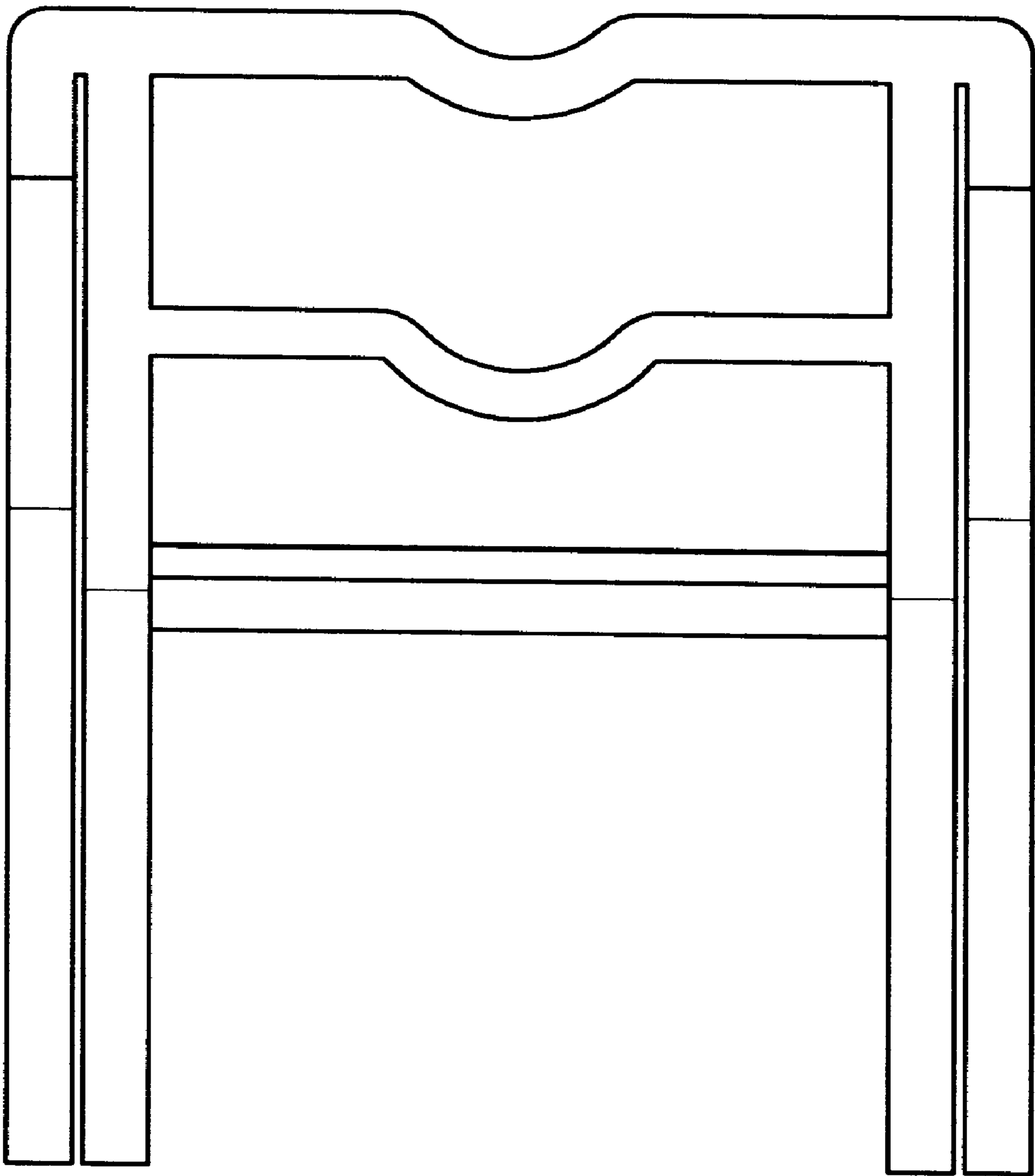


Fig. 15