



US00D459096S

(12) **United States Design Patent**  
**Rossigno**

(10) **Patent No.:** **US D459,096 S**

(45) **Date of Patent:** **\*\* Jun. 25, 2002**

(54) **CHAIR**

D368,174 S \* 3/1996 Lewis ..... D6/377  
D426,976 S \* 6/2000 Minami ..... D6/381

(76) Inventor: **Andrea Rossigno**, 15980 Woodbourne Ct., Granger, IN (US) 46530-9018

\* cited by examiner

(\*\*) Term: **14 Years**

*Primary Examiner*—Doris V. Coles

*Assistant Examiner*—Mimosa De

(21) Appl. No.: **29/137,231**

(74) *Attorney, Agent, or Firm*—Leo H McCormick, Jr.

(22) Filed: **Feb. 16, 2001**

(57) **CLAIM**

(51) **LOC (7) Cl.** ..... **06-01**

The ornamental design for a chair, as shown and described.

(52) **U.S. Cl.** ..... **D6/336**

**DESCRIPTION**

(58) **Field of Search** ..... D6/334, 335, 336,  
D6/361, 364, 371, 373, 377, 381, 500-502;  
297/232

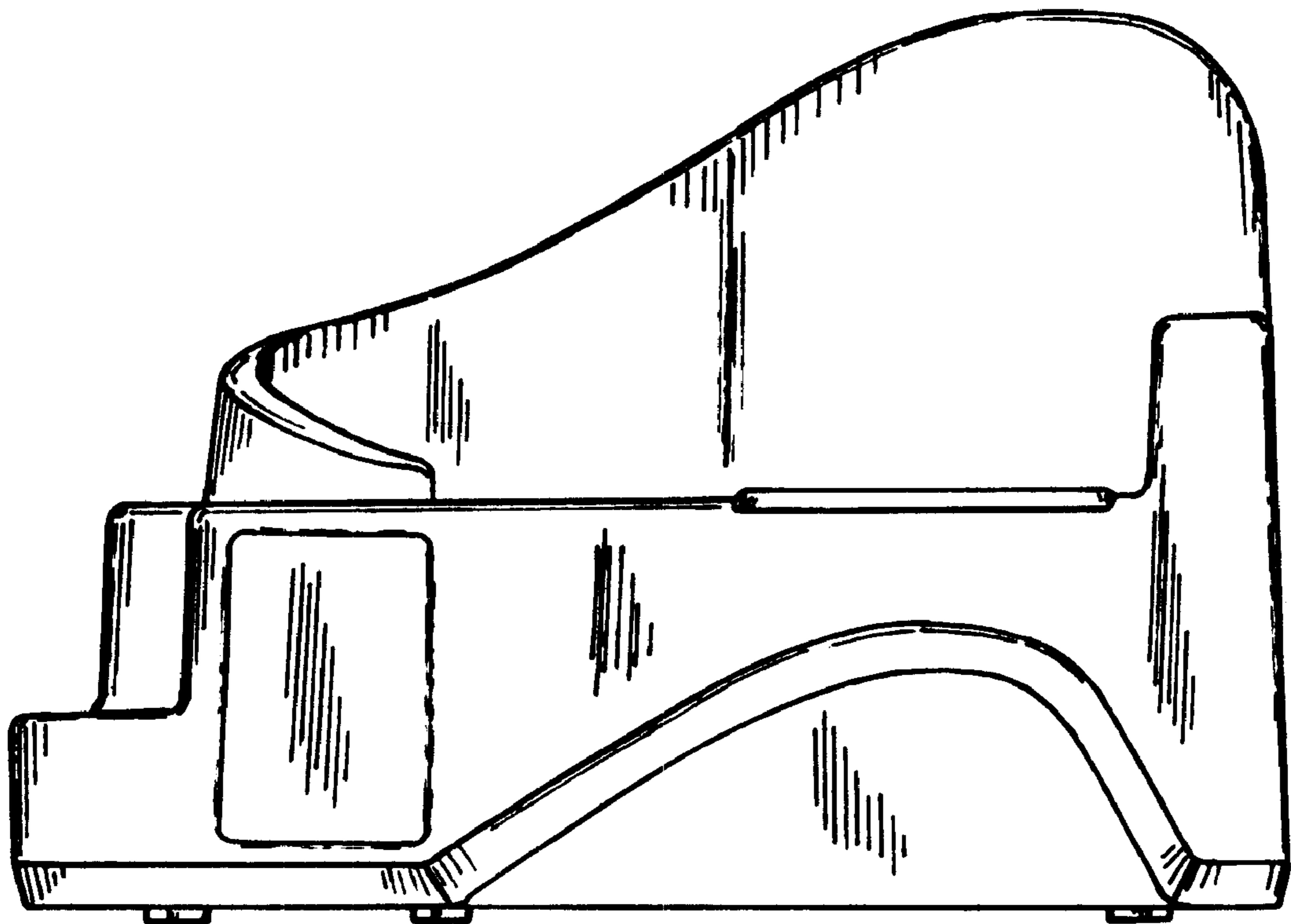
FIG. 1 is a top plan view of a chair showing my new design;  
FIG. 2 is a front elevation view thereof;  
FIG. 3 is a left side elevation view thereof;  
FIG. 4 is rear elevation view thereof;  
FIG. 5 is a bottom plan view thereof;  
FIG. 6 is a right side elevation view thereof; and,  
FIG. 7 is a right front perspective view thereof.

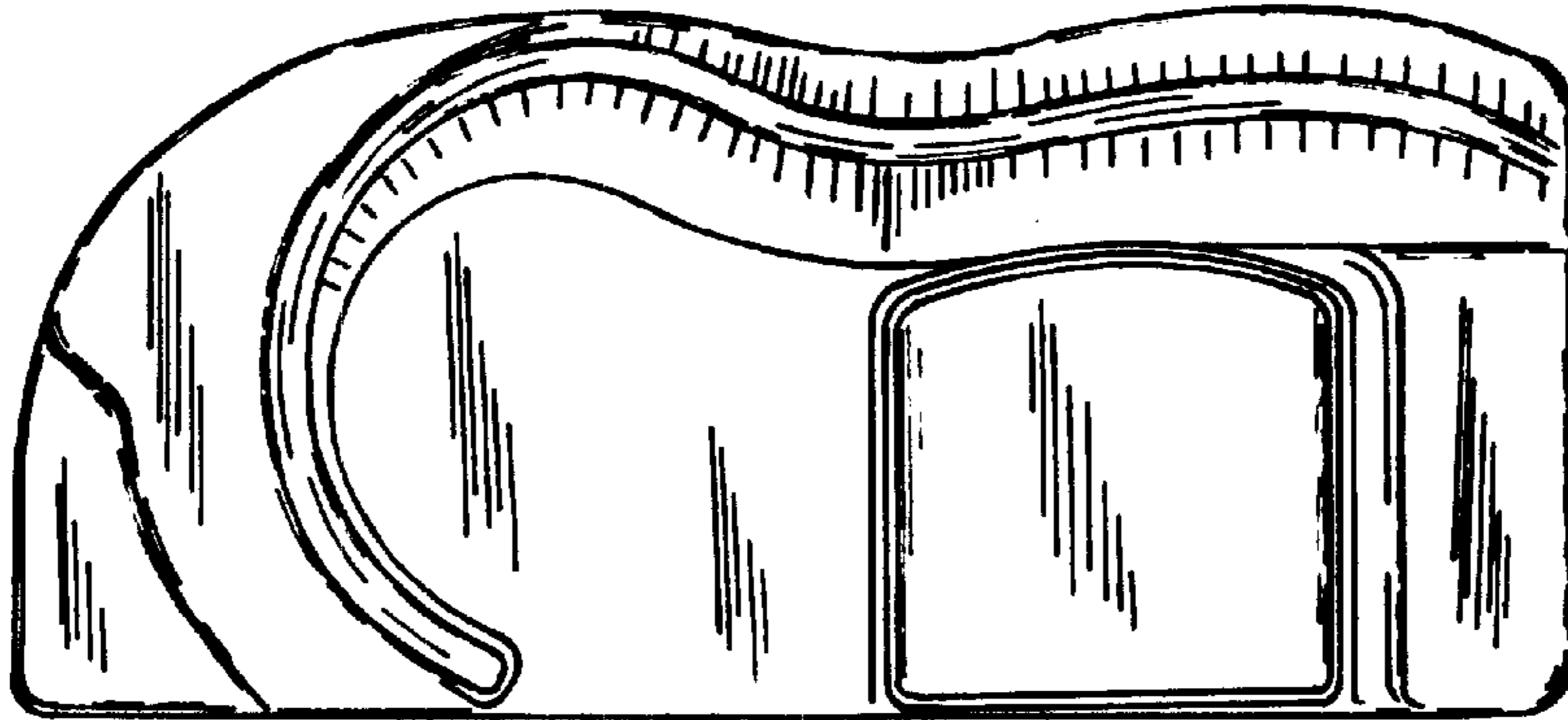
(56) **References Cited**

**U.S. PATENT DOCUMENTS**

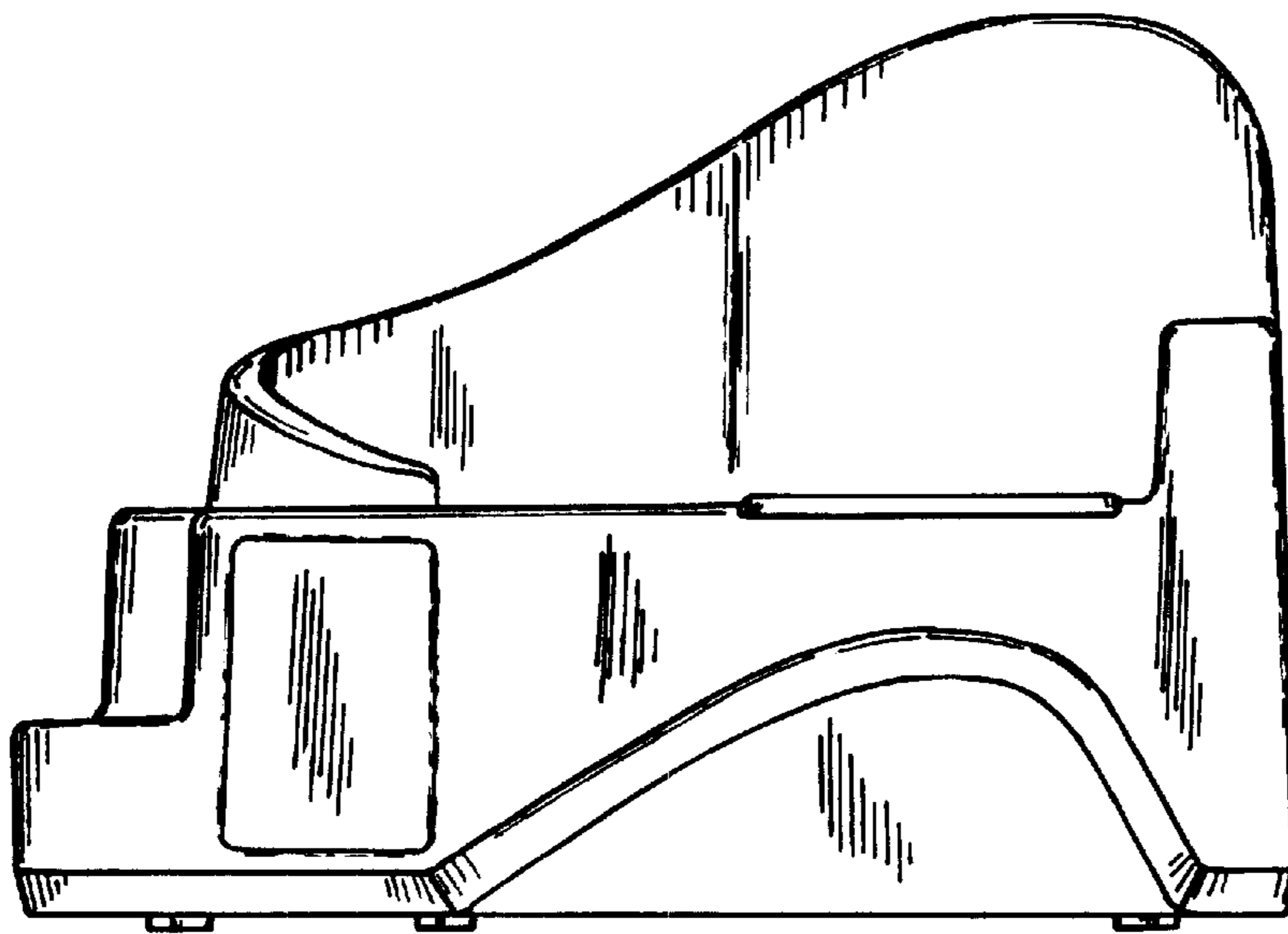
D99,959 S \* 6/1936 Nathan ..... D6/377  
D115,056 S \* 5/1939 Stoll ..... D6/381  
D115,254 S \* 6/1939 Stoll ..... D6/381  
D330,464 S \* 10/1992 Dettinger ..... D6/367

**1 Claim, 2 Drawing Sheets**

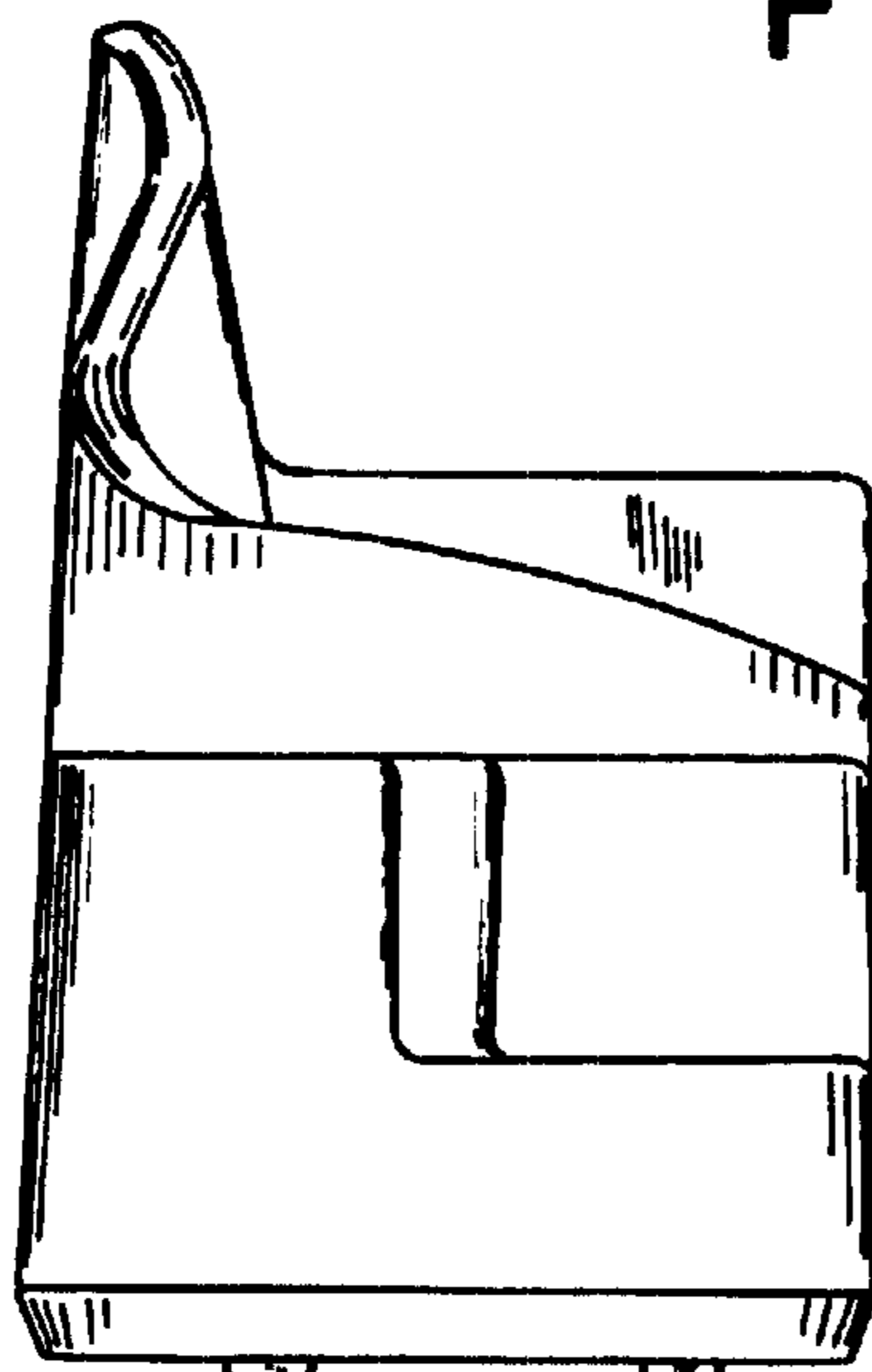




**FIG. 1**



**FIG. 2**



**FIG. 3**

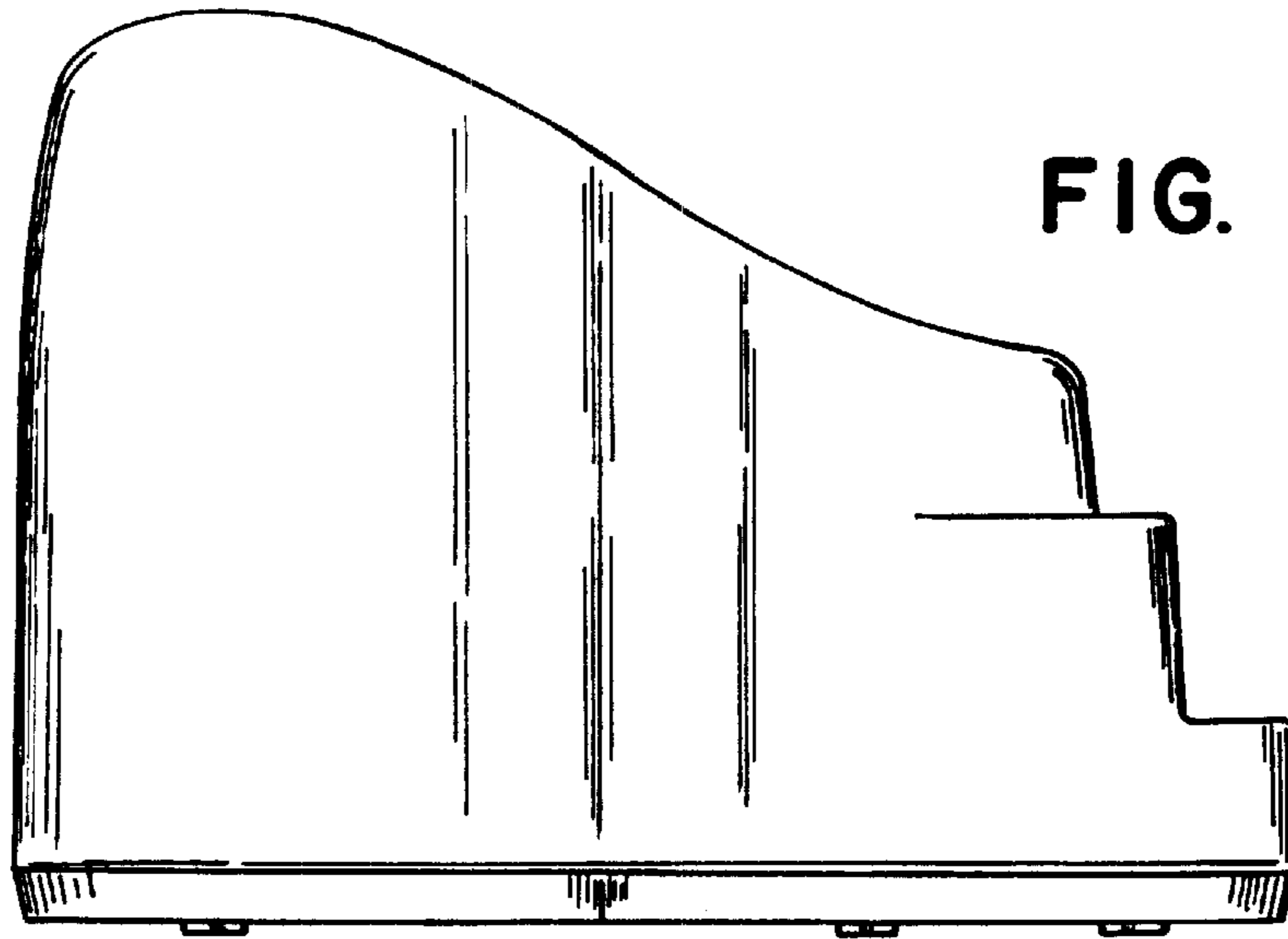


FIG. 4

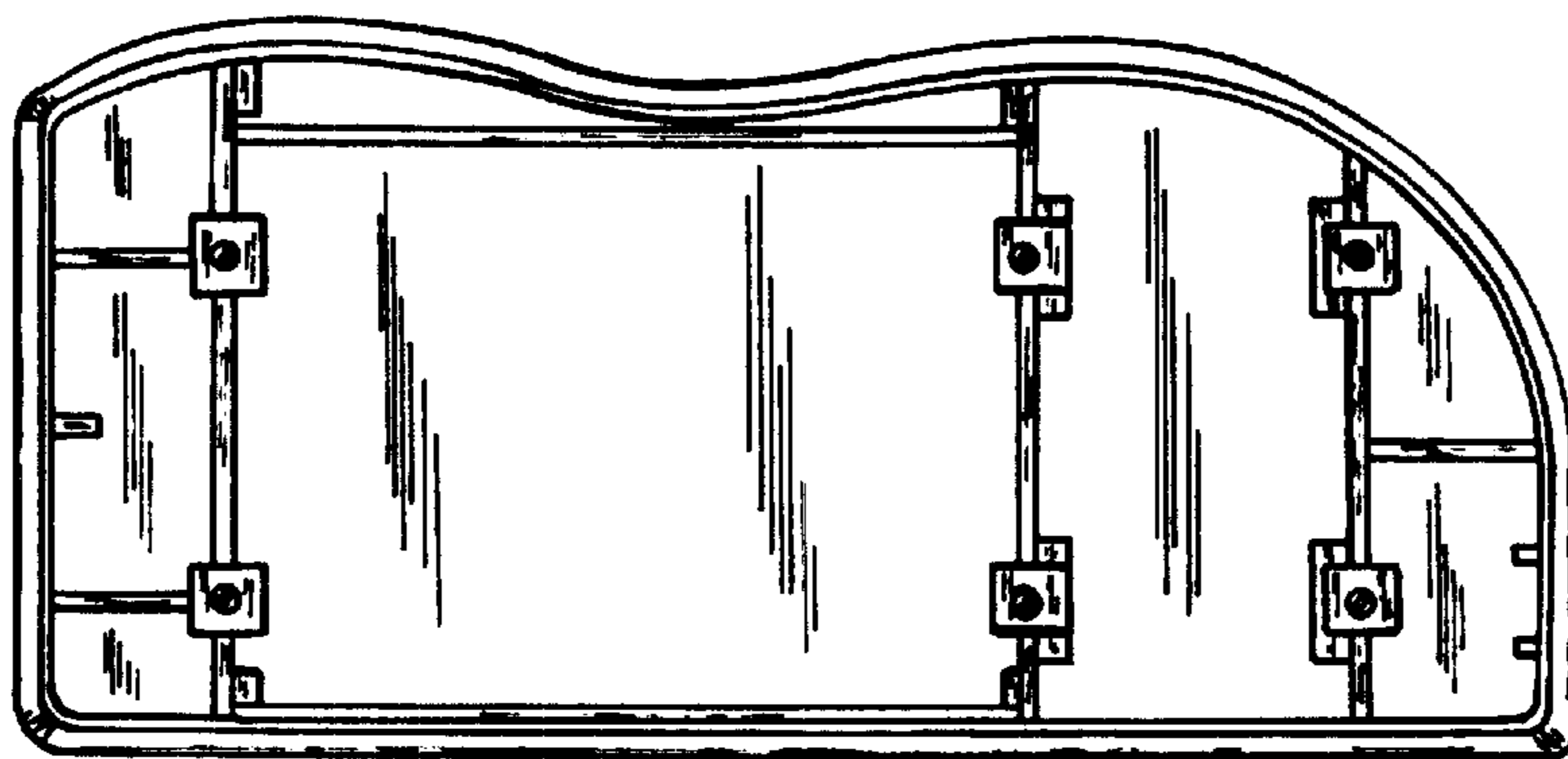


FIG. 5

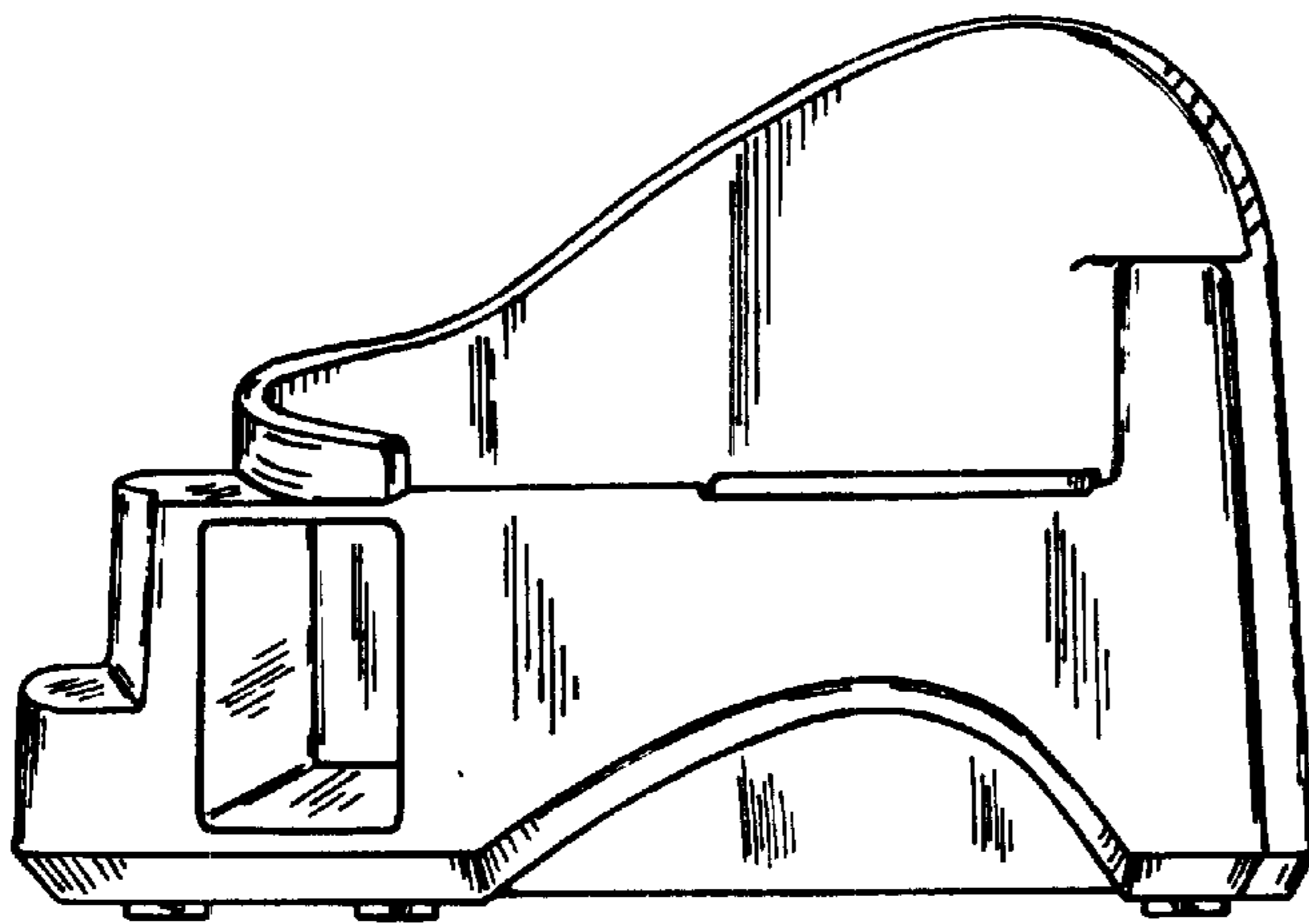


FIG. 7

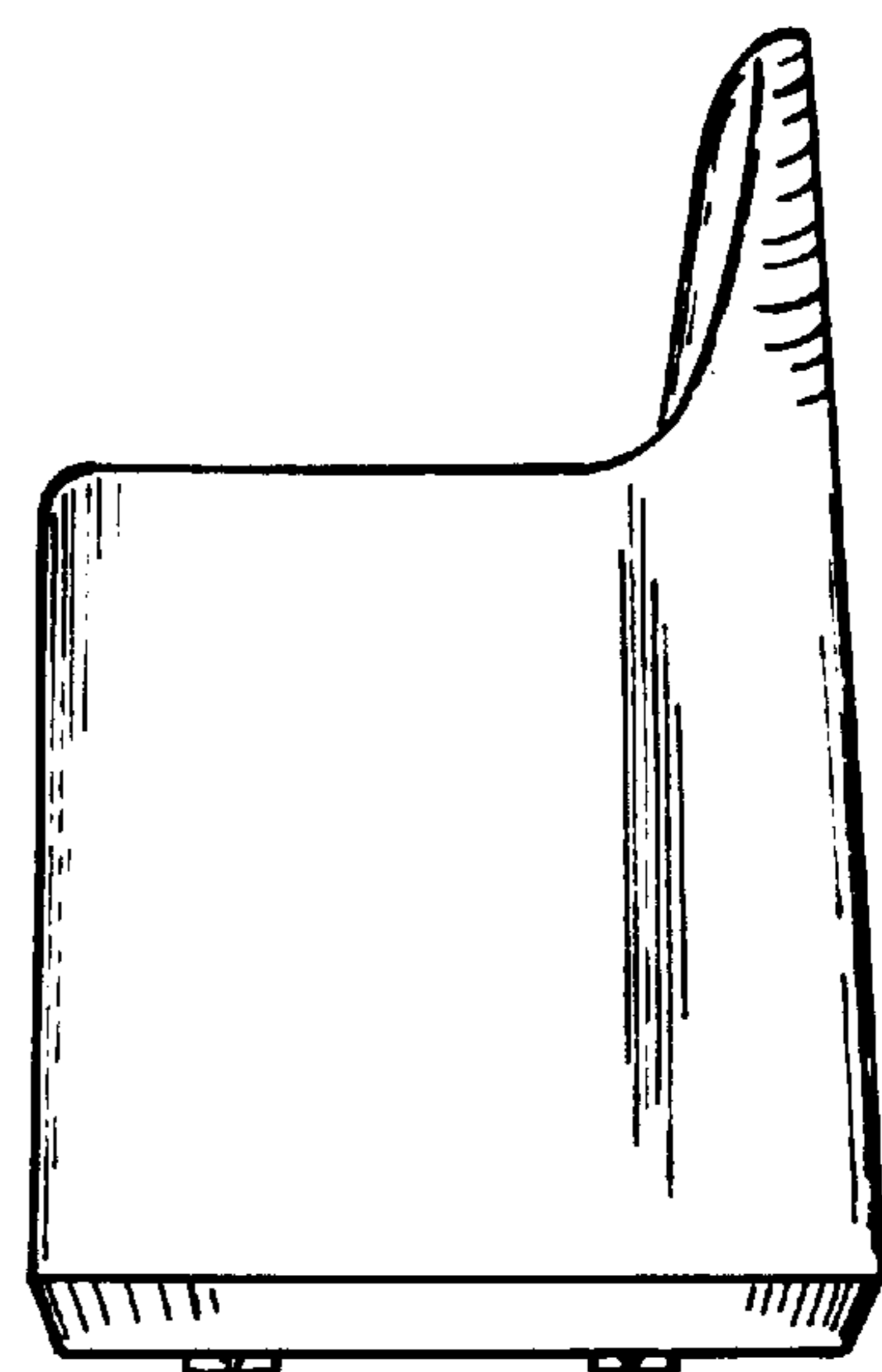


FIG. 6