



US00D459091S

(12) **United States Design Patent**
Cesak et al.

(10) **Patent No.:** **US D459,091 S**
(45) **Date of Patent:** **** Jun. 25, 2002**

(54) **PUSH BROOM BRACKET**

FOREIGN PATENT DOCUMENTS

(75) Inventors: **Wieslaw Cesak**, Ozone Park; **Vincent Amabile**, Woodhaven; **Cosmo Amabile**, Kew Garden Hills; **Salvatore Amabile**, Woodhaven; **Daniel P. Dundara**, Manhasset, all of NY (US)

GB 2150015 * 6/1985 A46B/17/08

* cited by examiner

Primary Examiner—Alan P. Douglas

Assistant Examiner—Lavone Tabor

(74) *Attorney, Agent, or Firm*—Milde & Hoffberg, LLP

(73) Assignee: **Cosmo Interior and Exterior Construction, Inc.**, Woodhaven, NY (US)

(57) **CLAIM**

(**) Term: **14 Years**

The ornamental design for a push broom bracket, as shown and described.

(21) Appl. No.: **29/138,214**

DESCRIPTION

(22) Filed: **Mar. 8, 2001**

FIG. 1 is a perspective view of the push broom bracket according to our design showing how this bracket is attached to a push broom and a push broom handle. The push broom and push broom handle form no part of this design.

(51) **LOC (7) Cl.** **04-99**

(52) **U.S. Cl.** **D4/199**

FIG. 2 is an enlarged front elevational view of the push broom bracket of FIG. 1.

(58) **Field of Search** D4/132, 199; D32/50; 15/145, 146, 171, 175, 176.1, 177; 403/192; D8/349, 354, 382

FIG. 3 is an enlarged side elevational view of the push broom bracket of FIG. 1.

(56) **References Cited**

U.S. PATENT DOCUMENTS

- 2,042,706 A * 6/1936 Dry 15/146 X
- 4,194,259 A * 3/1980 Bauman 15/146
- 4,785,489 A * 11/1988 Von Doehren 15/145 X
- D429,892 S * 8/2000 Wolfenden D4/199

FIG. 4 is an enlarged rear elevational view of the push broom bracket of FIG. 1.

FIG. 5 is an enlarged top plan view of the push broom bracket of FIG. 2; and,

FIG. 6 is an enlarged bottom plan view of the push broom bracket of FIG. 2.

1 Claim, 2 Drawing Sheets

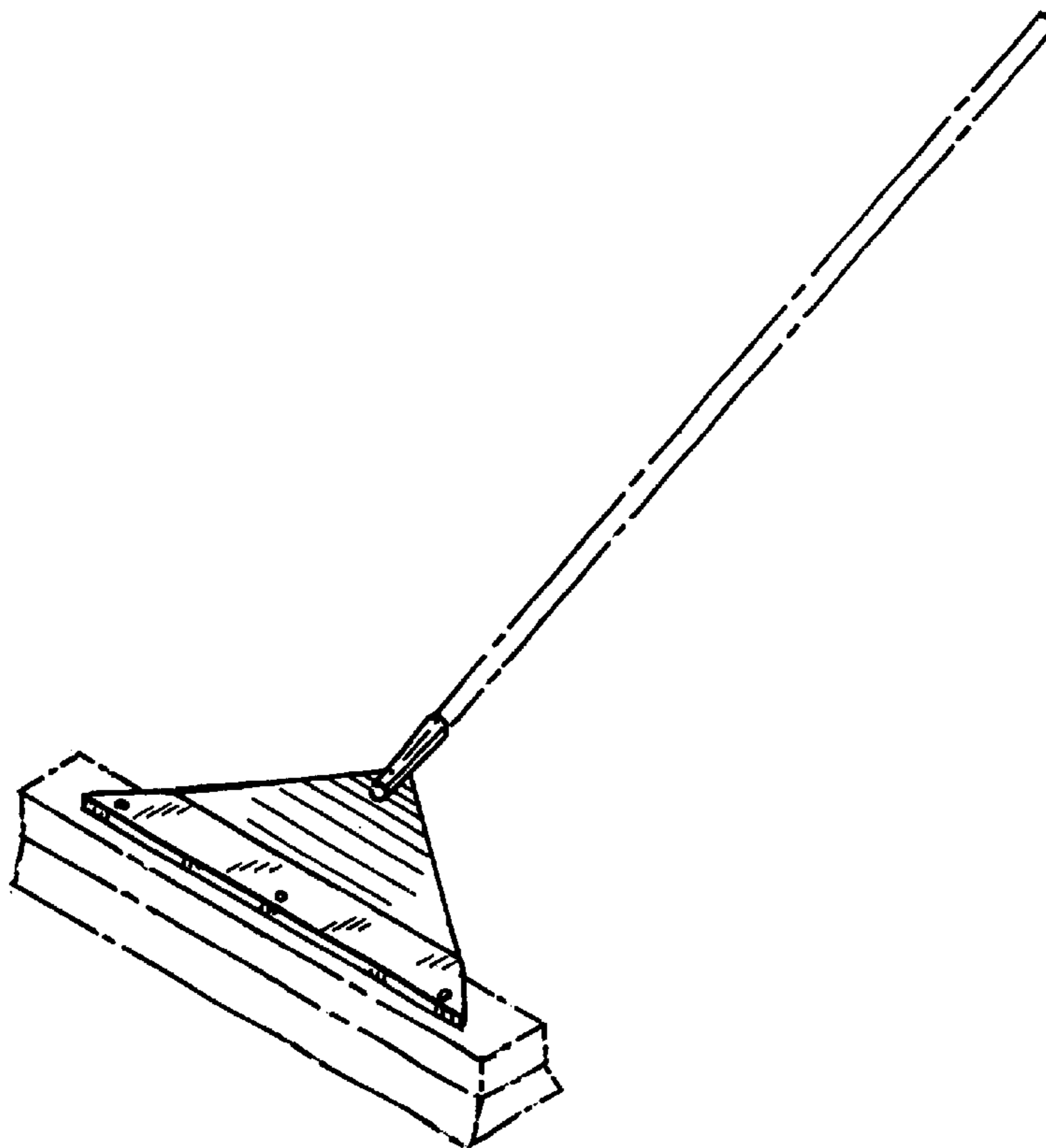


FIG.1

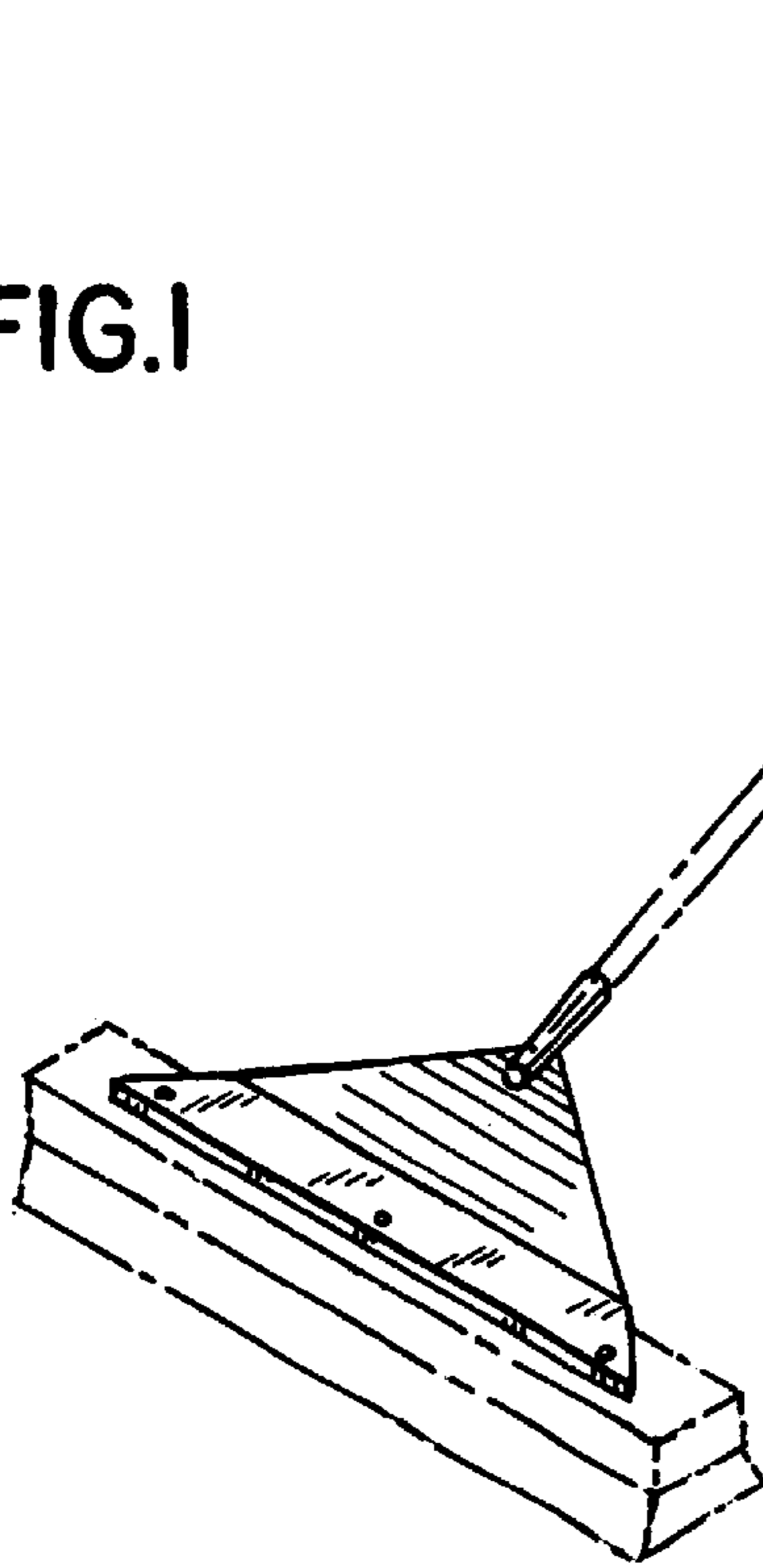


FIG.2

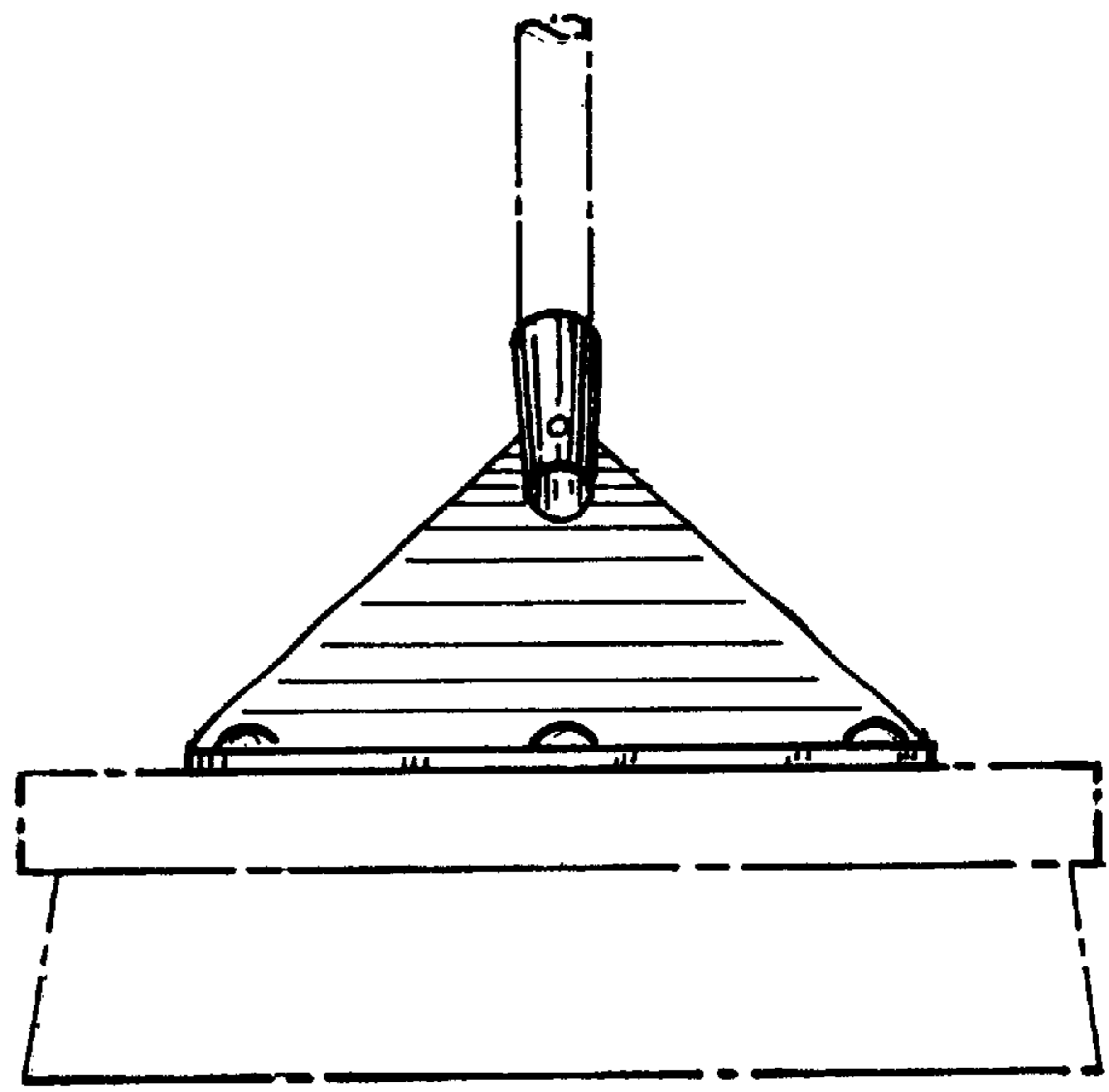


FIG.3

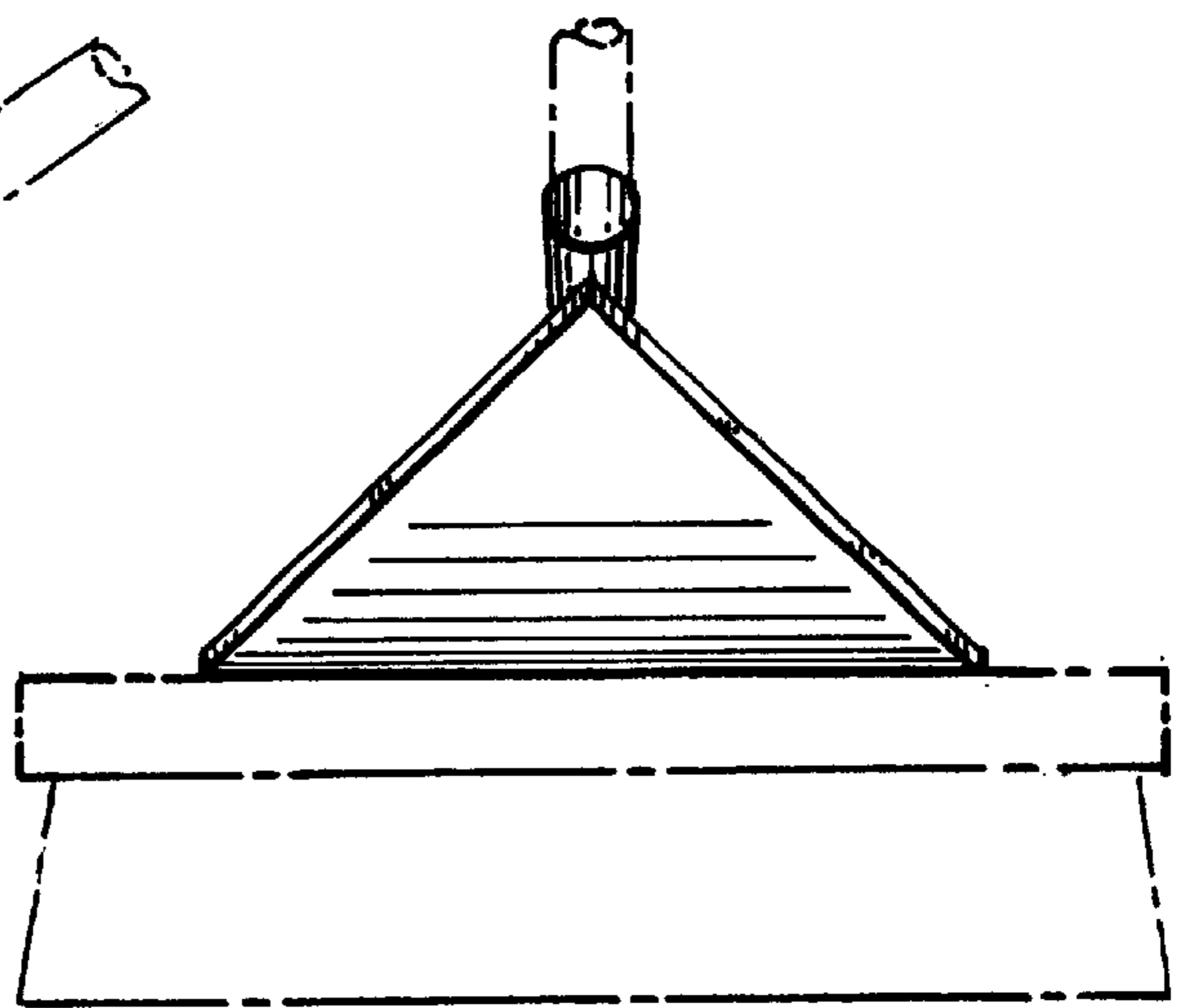
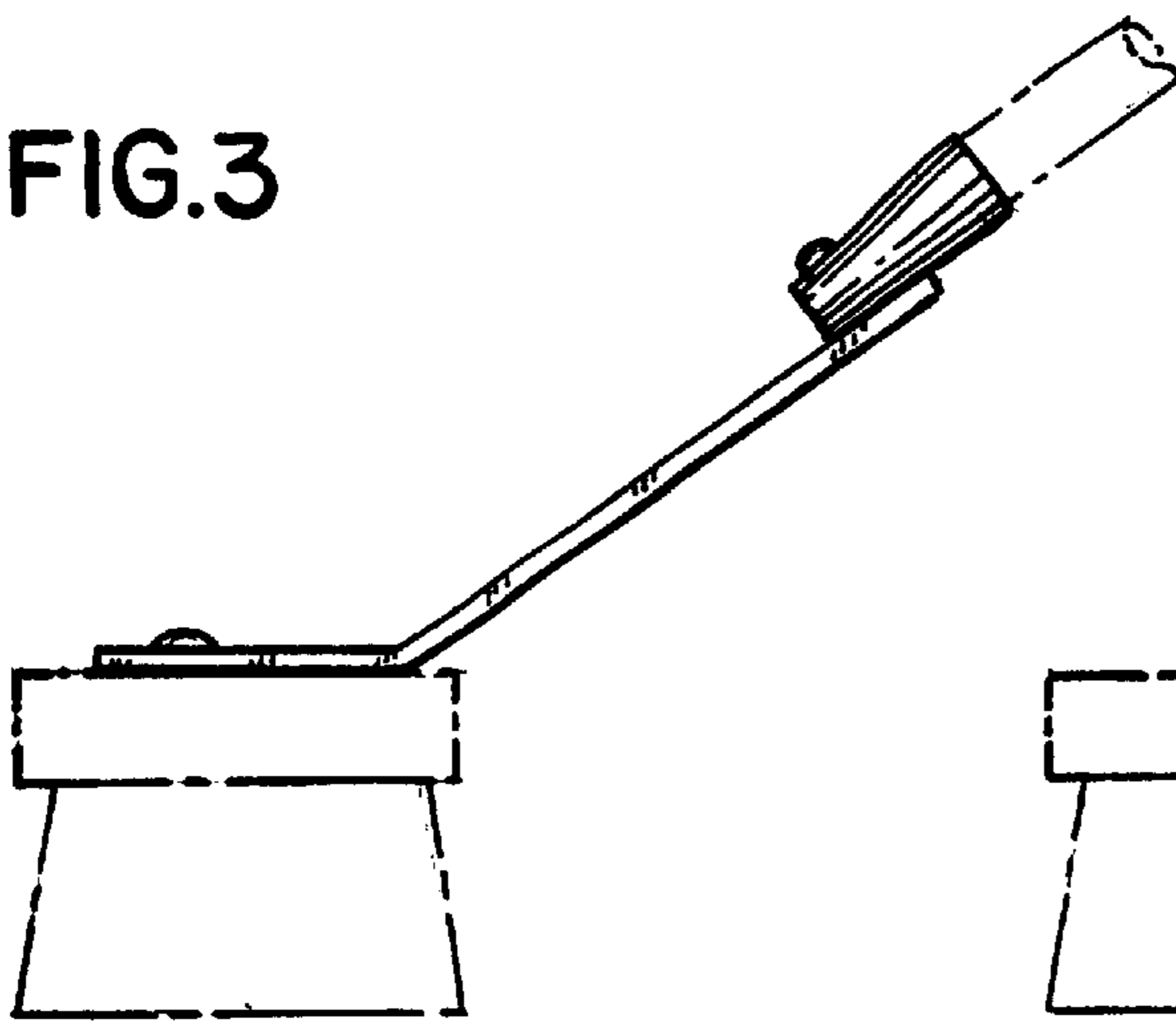


FIG.4

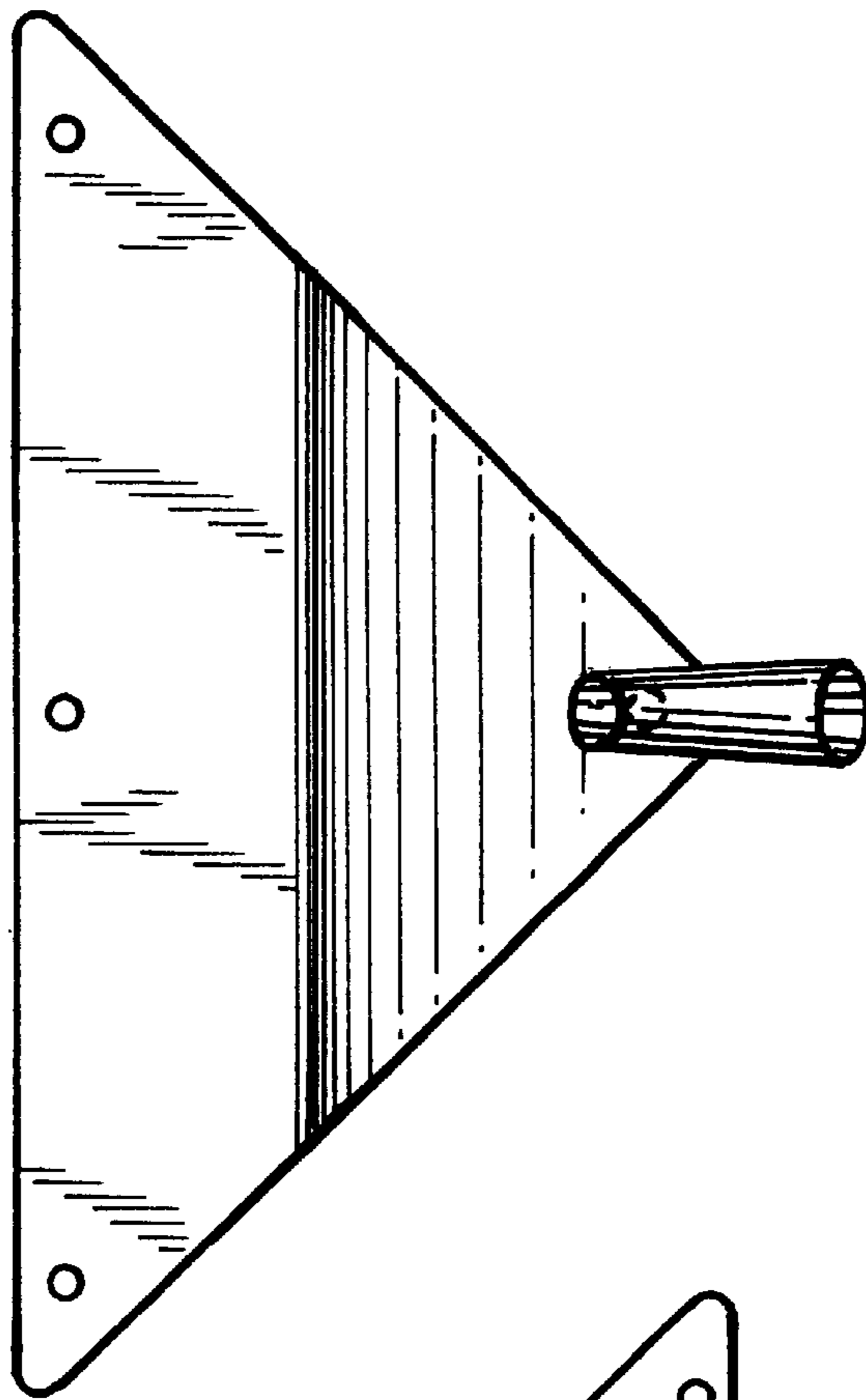


FIG.5

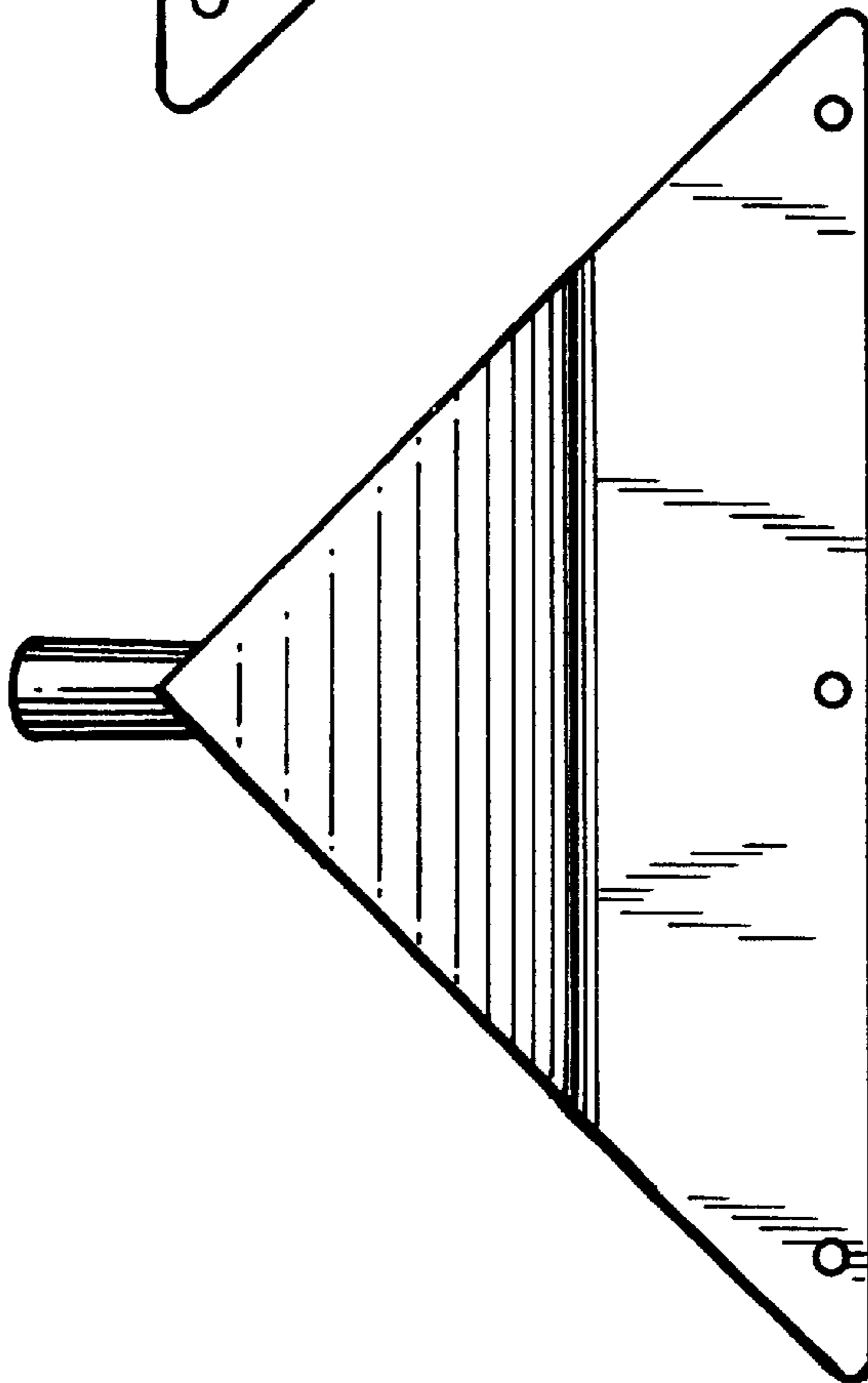


FIG.6