



US00D459090S

(12) **United States Design Patent**
Sauer

(10) **Patent No.:** **US D459,090 S**

(45) **Date of Patent:** **** Jun. 25, 2002**

(54) **PAINT ROLLER HANDLE**

(75) Inventor: **Helmut Sauer**, Wangen (DE)

(73) Assignee: **FIA Farbwerkzeug GmbH Co. KG**,
Wangen (DE)

(**) Term: **14 Years**

(21) Appl. No.: **29/119,640**

(22) Filed: **Mar. 3, 2000**

(51) **LOC (7) Cl.** **08-05**

(52) **U.S. Cl.** **D4/122; D4/138**

(58) **Field of Search** D4/122, 138; 15/143.1,
15/145, 230.11; 16/110.1, 422, 427, 430,
431; 492/13, 19

(56) **References Cited**

U.S. PATENT DOCUMENTS

- D340,357 S * 10/1993 Krinke D4/138
- 5,390,572 A * 2/1995 Gakhar et al. 16/430 X
- 5,497,527 A * 3/1996 Jang et al. 15/230.11
- D405,958 S * 2/1999 Mollack D4/122

5,970,568 A * 10/1999 Mulcahy, Sr. 15/230.11

* cited by examiner

Primary Examiner—Alan P. Douglas

Assistant Examiner—Lavone Tabor

(74) *Attorney, Agent, or Firm*—Larson & Larson, P.A.;
James E. Larson

(57) **CLAIM**

The ornamental design for a paint roller handle, as shown and described.

DESCRIPTION

FIG. 1 is a front view of a paint roller handle showing my novel design;

FIG. 2 is a back view thereof;

FIG. 3 is a left side view thereof;

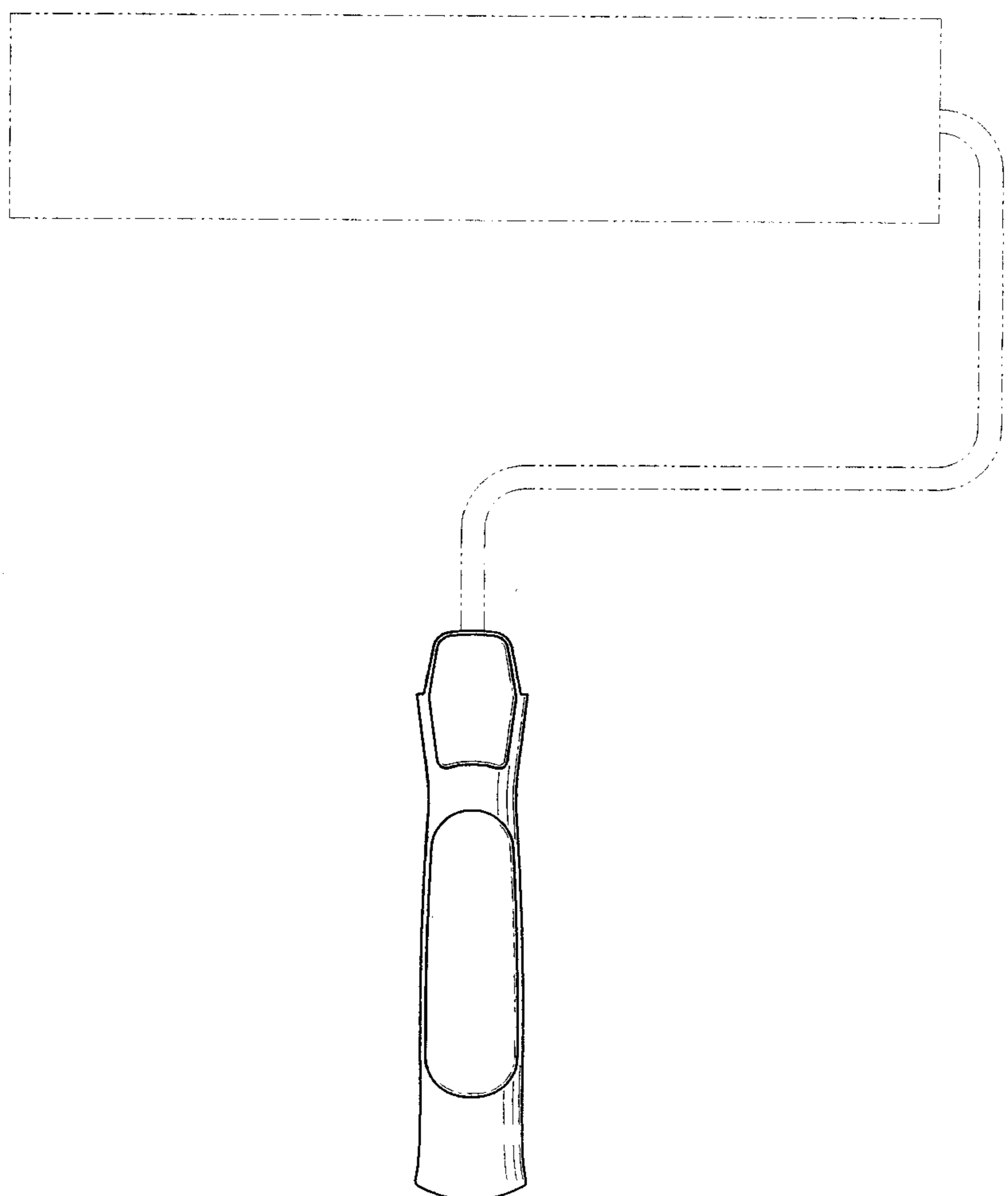
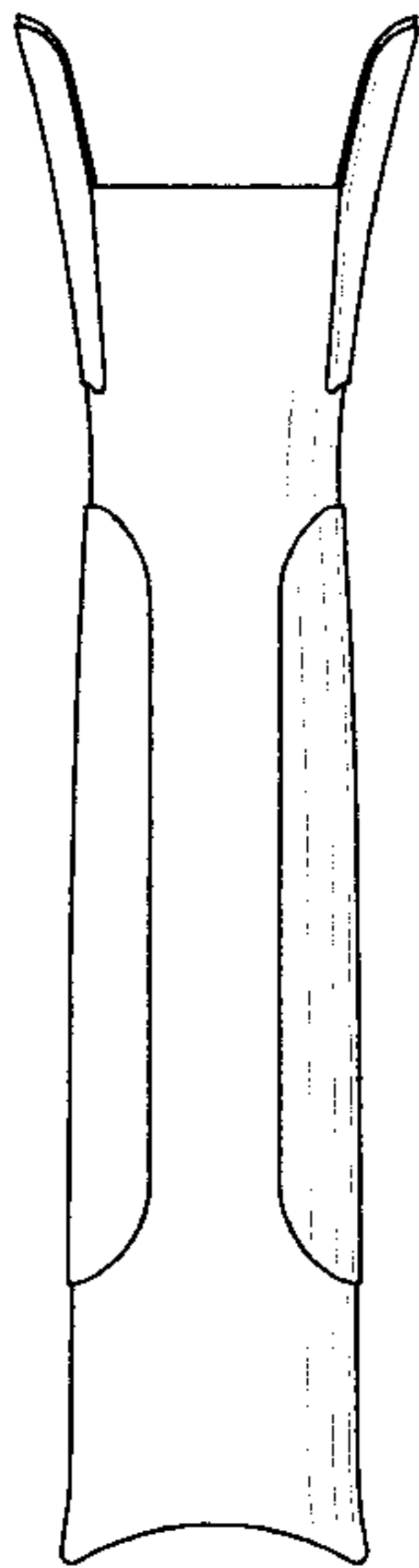
FIG. 4 is a right side view thereof;

FIG. 5 is a bottom plan view thereof; and,

FIG. 6 is a front side view of a paint roller handle of the present invention, as shown affixed to a paint roller.

The broken lines shown in FIG. 6 are for illustrative purposes only and form no part of the overall claimed design.

1 Claim, 4 Drawing Sheets



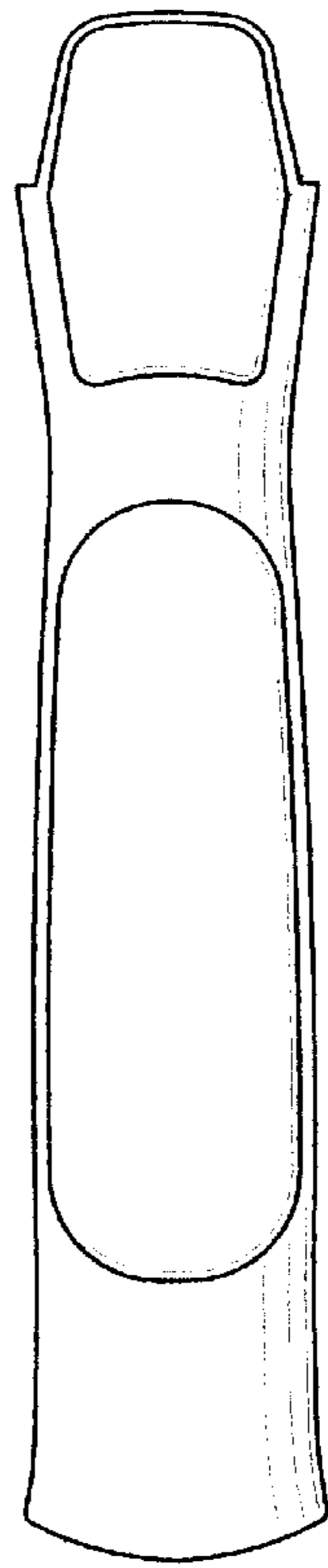


FIG. 1

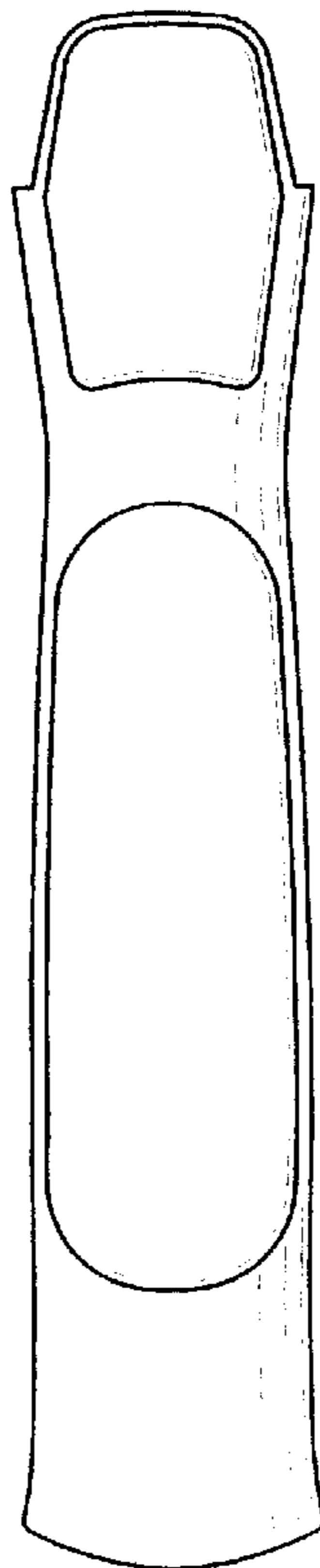


FIG. 2

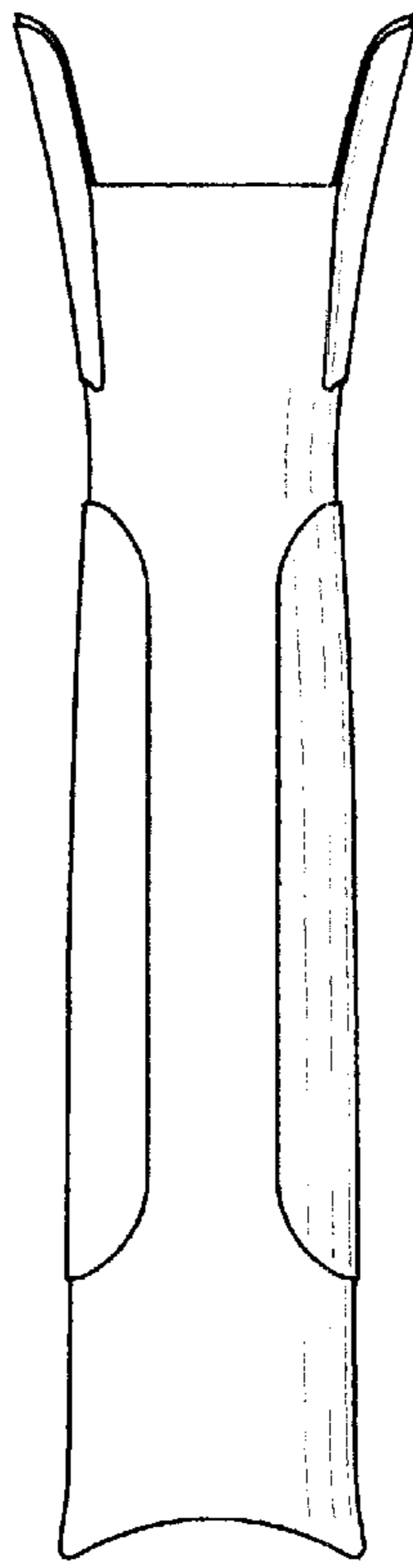


FIG. 3

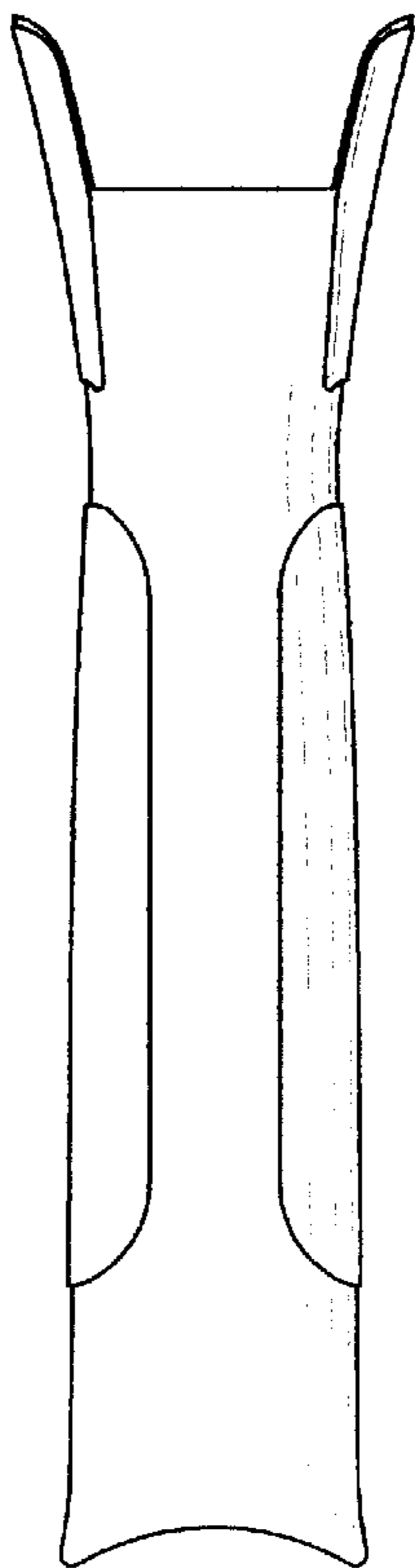


FIG. 4

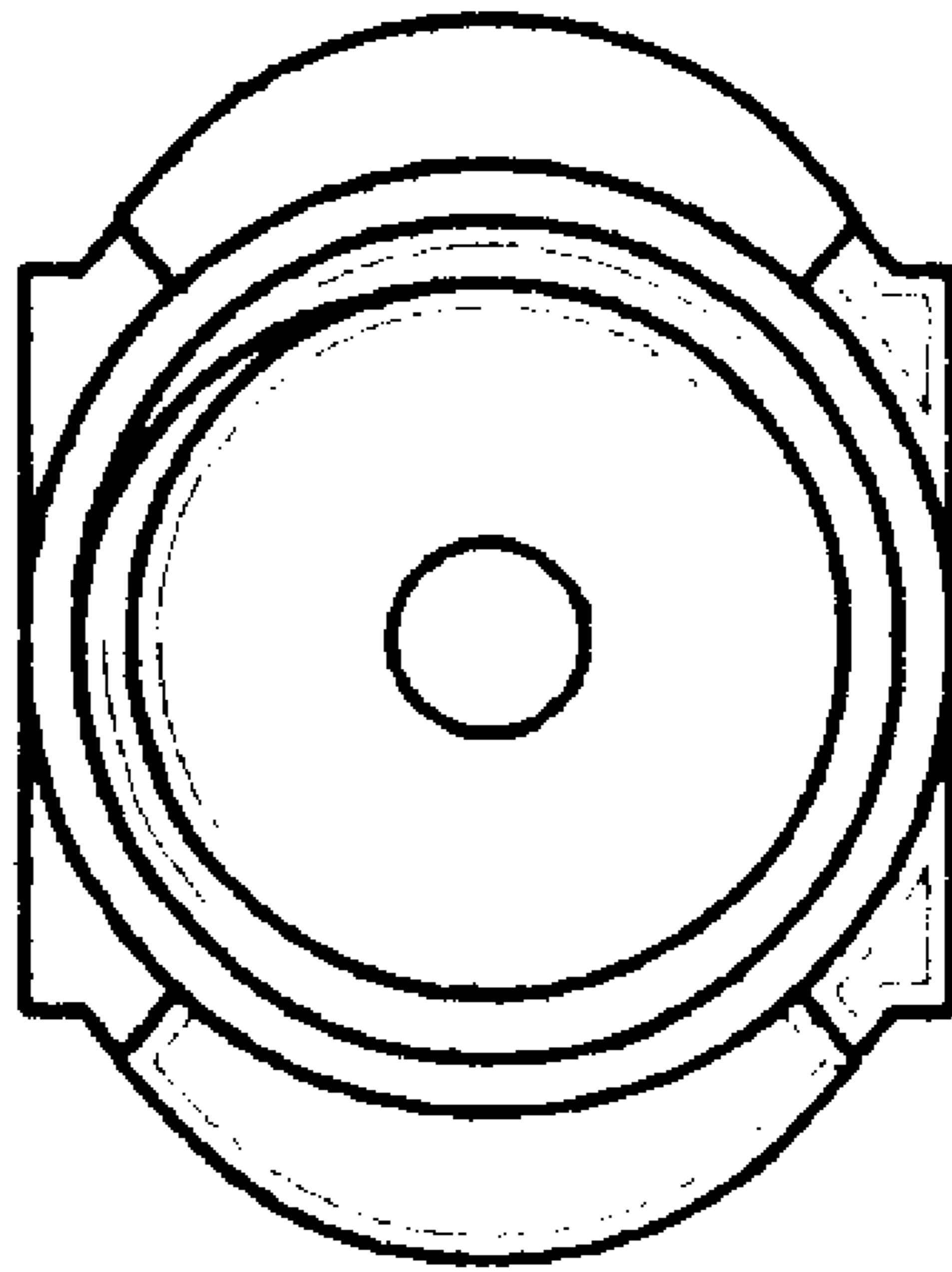


FIG. 5

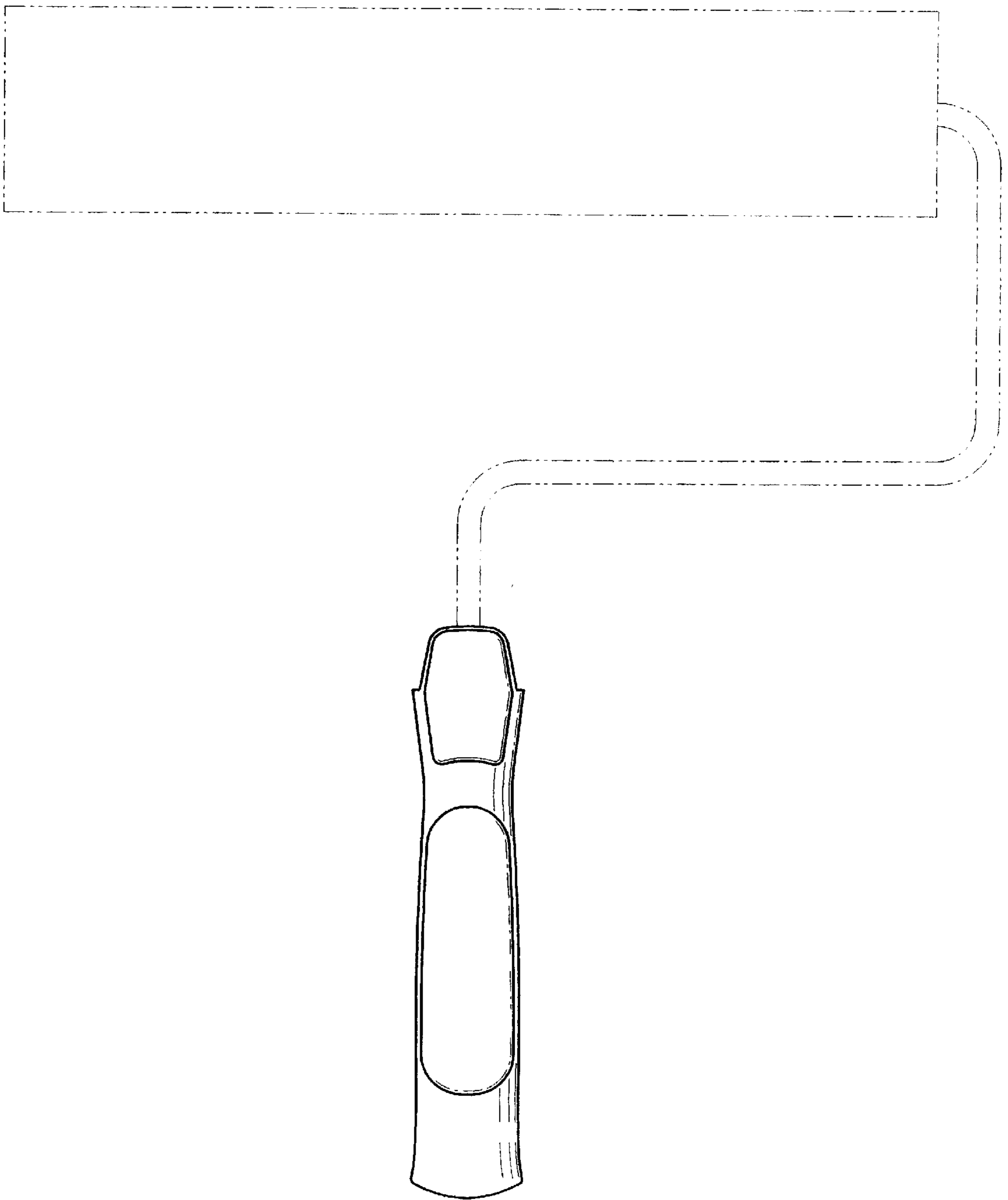


FIG. 6