



US00D459084S

(12) **United States Design Patent**
Harada

(10) **Patent No.:** **US D459,084 S**
(45) **Date of Patent:** **** Jun. 25, 2002**

- (54) **TOOTHBRUSH HEAD WITH STEPPED BRISTLE ARRAY**
- (76) Inventor: **Stephen D. Harada**, 614 Blair Ave., Piedmont, CA (US) 94111
- (**) Term: **14 Years**
- (21) Appl. No.: **29/134,555**
- (22) Filed: **Dec. 21, 2000**
- (51) **LOC (7) Cl.** **04-02**
- (52) **U.S. Cl.** **D4/104**
- (58) **Field of Search** D4/104–112, 130, D4/132–134, 136; 15/159.1, 160, 167.1, 167.2, 186, 187, DIG. 5, DIG. 6; 132/308, 309; 601/139, 141

- 4,010,509 A 3/1977 Huish 15/167.1
- 4,109,339 A 8/1978 Dietrich 15/167.1
- 4,115,894 A 9/1978 Peterson 15/167.1
- D251,038 S 2/1979 Hill et al. D4/104
- D252,597 S 8/1979 Holzworth et al. D4/25
- 4,185,349 A 1/1980 Papas 15/106
- D259,977 S 7/1981 Porper D4/110
- 4,306,327 A 12/1981 Zeski 15/167.1
- D265,527 S 7/1982 Macaluso D4/110
- 4,429,434 A 2/1984 Sung-shan 15/167.1 X
- 4,463,470 A 8/1984 Willis 15/167.1
- D282,603 S 2/1986 Piero D4/108
- D287,790 S * 1/1987 Fay D4/104
- D289,231 S 4/1987 Fleisher D4/110
- 4,654,921 A * 4/1987 Dinner D4/104
- D289,704 S 5/1987 Marthaler et al. D4/104
- 4,667,360 A 5/1987 Marthaler et al. 15/167 R
- 4,672,706 A 6/1987 Hill 15/167 R
- D292,948 S 12/1987 Parina D4/104
- 4,763,375 A 8/1988 Vieten 15/167.1
- 4,800,608 A 1/1989 Key 15/167.1

(56) **References Cited**

U.S. PATENT DOCUMENTS

- D44,997 S 12/1913 Carroll
- D47,669 S 8/1915 Hunt
- 1,251,250 A 12/1917 Libby 15/110
- D56,858 S 1/1921 Cahill
- 1,494,448 A 5/1924 Sookne
- D73,245 S 8/1927 Straehly
- D77,115 S 12/1928 Mowry
- 1,948,233 A 2/1934 Janik 15/110 X
- 1,968,303 A 7/1934 McMath 15/167.1
- D96,749 S 7/1935 Hellonen
- 2,051,687 A 8/1936 Dressler 15/167.1
- D107,228 S 11/1937 Goodman
- 2,111,880 A 3/1938 Waters 15/176.6
- D139,264 S 10/1944 Littig 15/167.1
- D140,438 S 2/1945 Cohen 15/167.1
- D160,604 S 1/1950 Hutson
- 2,685,703 A 8/1954 Dellenbach 15/167.1
- 2,697,239 A 12/1954 Funk 15/167.1
- D175,894 S 10/1955 Krueger D14/104
- 2,864,111 A 12/1958 Rotceig 15/168
- 2,934,776 A 5/1960 Clemens 15/167.1
- D189,414 S 12/1960 Kisky D4/110
- 3,103,679 A 9/1963 Clemens 15/167.1
- 3,258,805 A 7/1966 Rossnan 15/110
- D231,872 S * 6/1974 Spaulding D4/104

(List continued on next page.)

FOREIGN PATENT DOCUMENTS

- DE 297 12 284 9/1997
- DE 198 16 098 10/1999

(List continued on next page.)

Primary Examiner—Lisa Lichtenstein
(74) *Attorney, Agent, or Firm*—Holland & Knight LLP

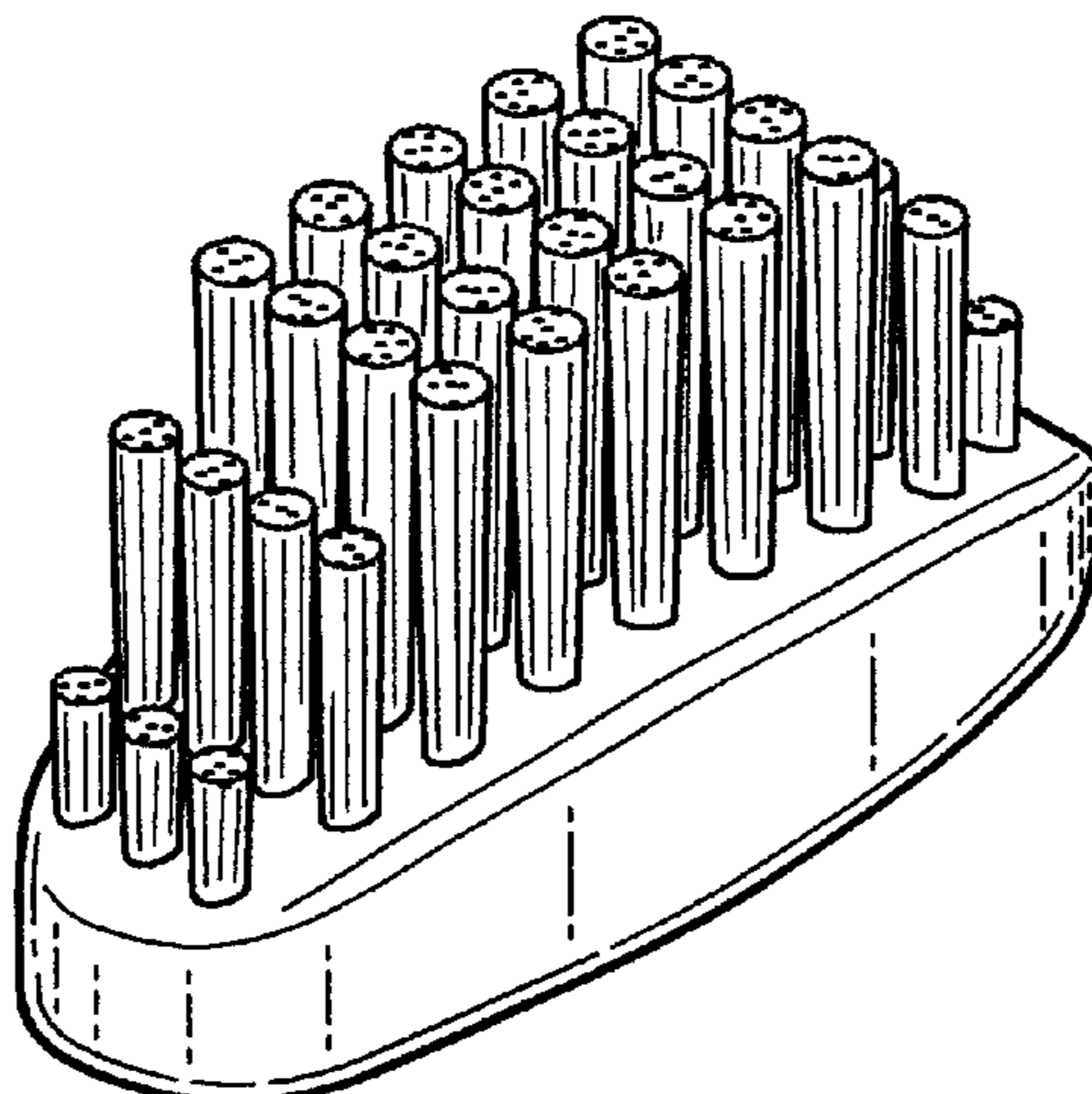
(57) **CLAIM**

The ornamental design for a toothbrush head with stepped bristle array, as shown and described.

DESCRIPTION

FIG. 1 is a perspective view of of my ornamental design for a toothbrush head;
FIG. 2 is a front view of the design thereof;
FIG. 3 is a rear view of the design thereof;
FIG. 4 is a plan, bottom view of the design thereof;
FIG. 5 is a plan, top view of the design thereof; and,
FIG. 6 is a side view of the design thereof.

1 Claim, 1 Drawing Sheet



US D459,084 S

Page 2

U.S. PATENT DOCUMENTS

| | | | | | | | | | |
|-------------|----------|-------------------|-------|-----------|-------------|---------|------------------|-------|----------|
| D300,990 S | 5/1989 | Jagger | | D4/104 | 5,613,262 A | 3/1997 | Choy-Maldonado | | 15/160 |
| D301,399 S | 6/1989 | Kreyer, Jr. | | D4/104 | 5,622,502 A | 4/1997 | Wilkes et al. | | 15/167.1 |
| D305,385 S | 1/1990 | Schneider | | D4/104 | 5,628,082 A | 5/1997 | Moskovich | | 15/110 |
| D311,454 S | 10/1990 | Rethman | | D4/106 | D391,764 S | 3/1998 | Falleiros et al. | | D4/104 |
| 5,046,212 A | 9/1991 | O'Conke | | 15/105 | 5,787,540 A | 8/1998 | Hirschmann | | 15/167.1 |
| D321,092 S | 10/1991 | Woll et al. | | D4/106 | 5,792,159 A | 8/1998 | Amin | | 606/161 |
| 5,054,154 A | 10/1991 | Schiffer et al. | | 15/167.1 | 5,836,033 A | 11/1998 | Berge | | 15/110 |
| 5,114,214 A | 5/1992 | Barman | | 15/DIG. 5 | 5,850,659 A | 12/1998 | Butler et al. | | 15/167.1 |
| D337,201 S | 7/1993 | Haddad | | D4/107 | 5,884,354 A | 3/1999 | Anderson | | 15/167.1 |
| D342,160 S | 12/1993 | Curtis et al. | | D4/104 | D414,938 S | 10/1999 | Von Stein | | D4/104 |
| D344,414 S | 2/1994 | Rahman | | D4/104 | D428,256 S | 7/2000 | Harada | | D4/104 |
| 5,315,730 A | 5/1994 | Kim et al. | | 15/167.1 | D428,260 S | 7/2000 | Harada | | D4/110 |
| 5,341,537 A | 8/1994 | Curtis et al. | | 15/167.1 | D430,401 S | 9/2000 | Harada | | D4/104 |
| D351,732 S | 10/1994 | Dair et al. | | D4/104 | D431,908 S | 10/2000 | Harada | | D4/104 |
| 5,369,835 A | 12/1994 | Clark | | 15/167.1 | | | | | |
| 5,371,915 A | 12/1994 | Key | | 15/167.1 | | | | | |
| 5,383,244 A | 1/1995 | Ahrens et al. | | 15/167.1 | | | | | |
| 5,392,483 A | 2/1995 | Heinzelman et al. | | 15/167.1 | | | | | |
| D360,076 S | * 7/1995 | Schneider | | D4/104 | | | | | |
| 5,481,775 A | 1/1996 | Gentile et al. | | 15/167.1 | | | | | |
| D368,804 S | 4/1996 | Yost et al. | | D4/104 | | | | | |
| D370,347 S | 6/1996 | Heinzelman et al. | | D4/104 | | | | | |
| 5,522,109 A | 6/1996 | Chan | | 15/167.1 | | | | | |
| 5,570,487 A | 11/1996 | Schneider | | 15/167.1 | | | | | |

FOREIGN PATENT DOCUMENTS

| | | | | |
|----|----------|---------|-------|----------|
| EP | 285-121 | 10/1988 | | 15/167.1 |
| GB | 7787 | 6/1886 | | 15/167.1 |
| GB | 17732 | 9/1895 | | 15/167.1 |
| JP | 53-30970 | 3/1978 | | |
| JP | 60-60937 | 4/1985 | | |
| JP | 9-19323 | 1/1997 | | |
| GB | 723 | 2/1880 | | 15/167.1 |

* cited by examiner

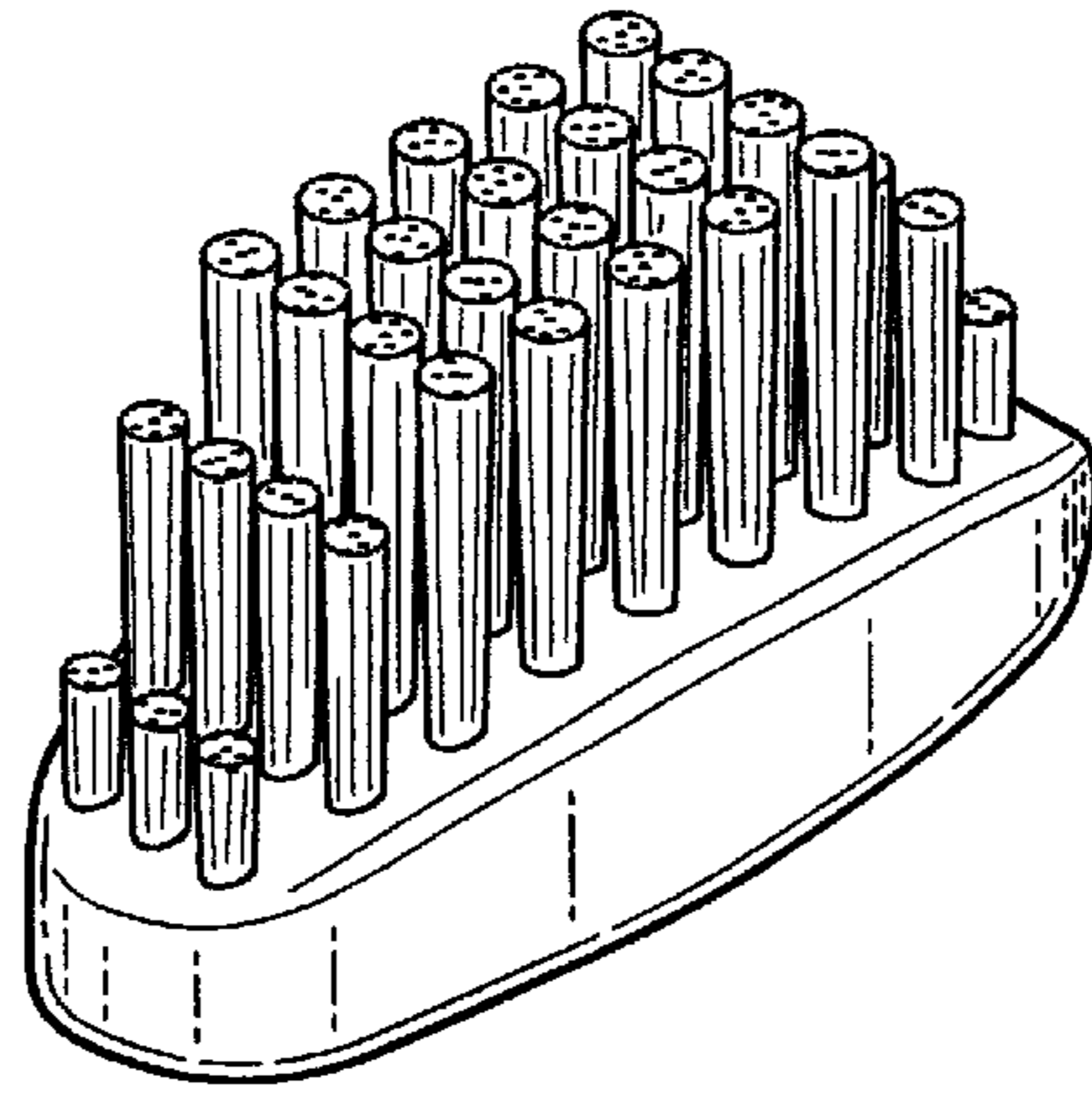


FIG. 1

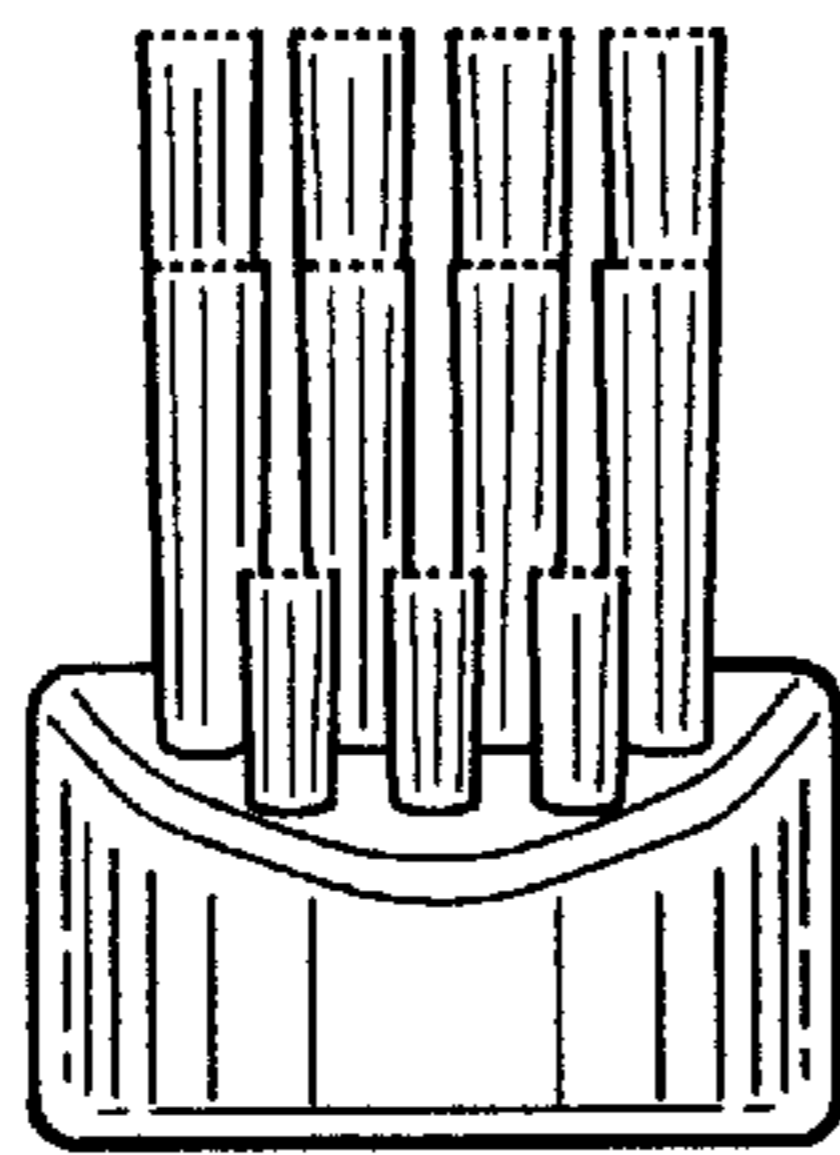


FIG. 2

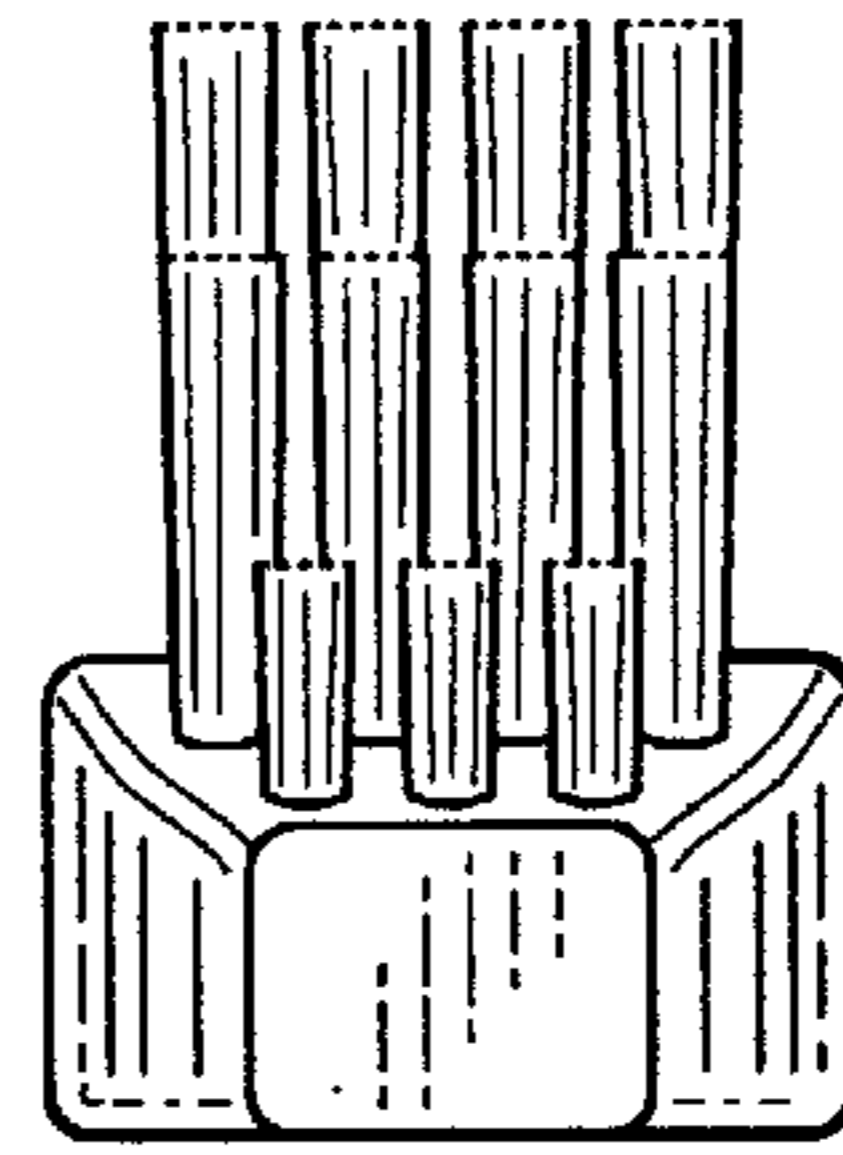


FIG. 3

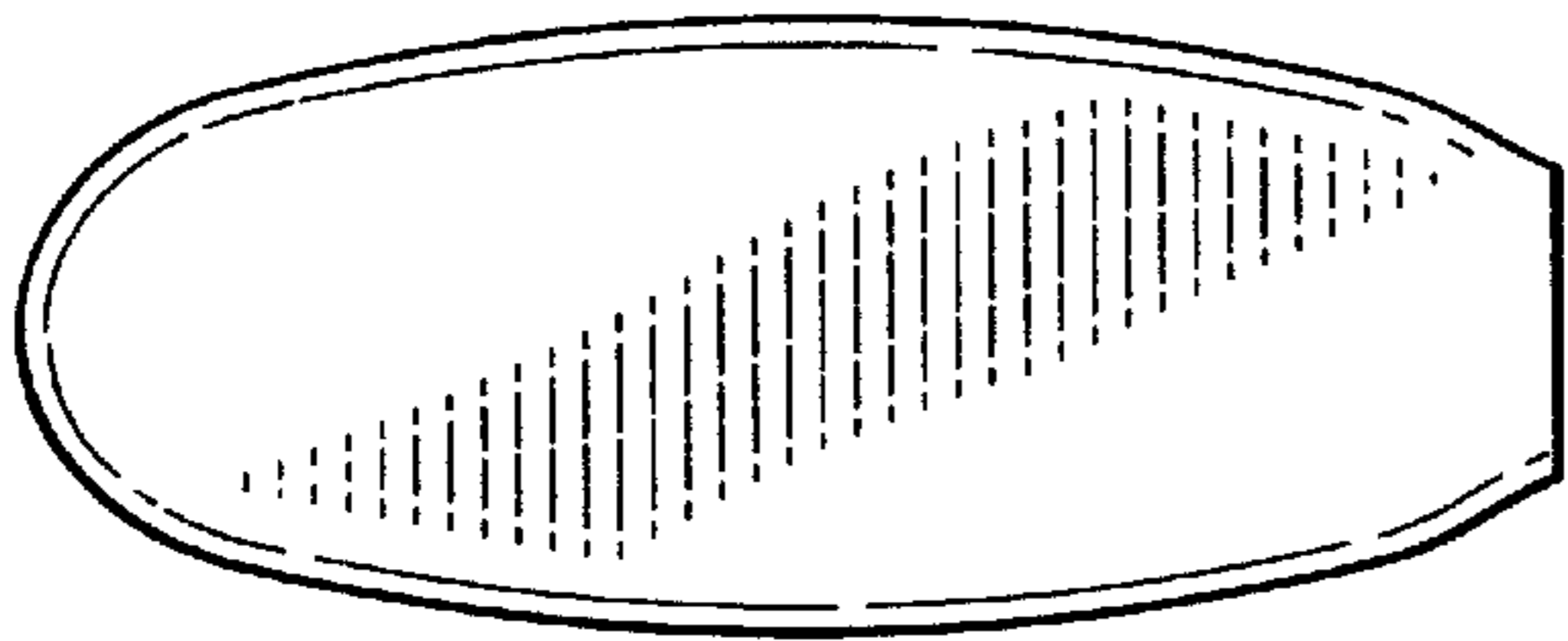


FIG. 4

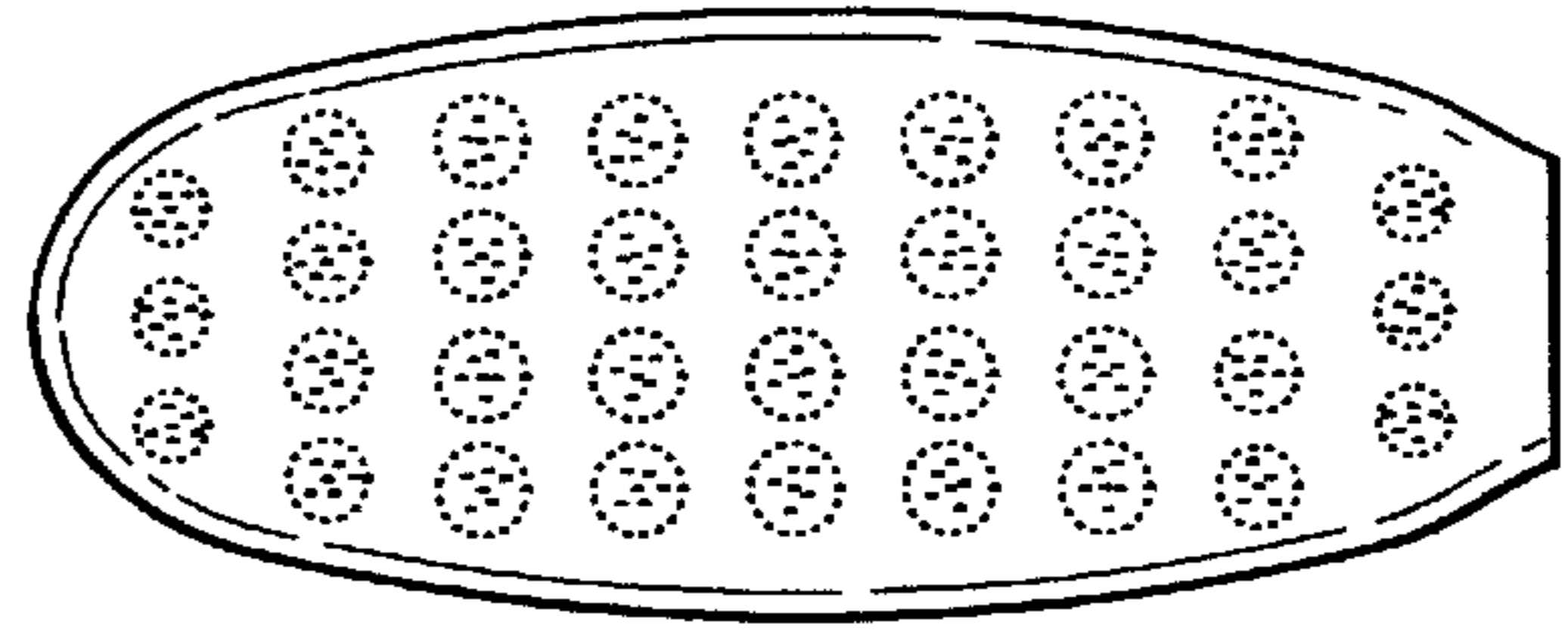


FIG. 5

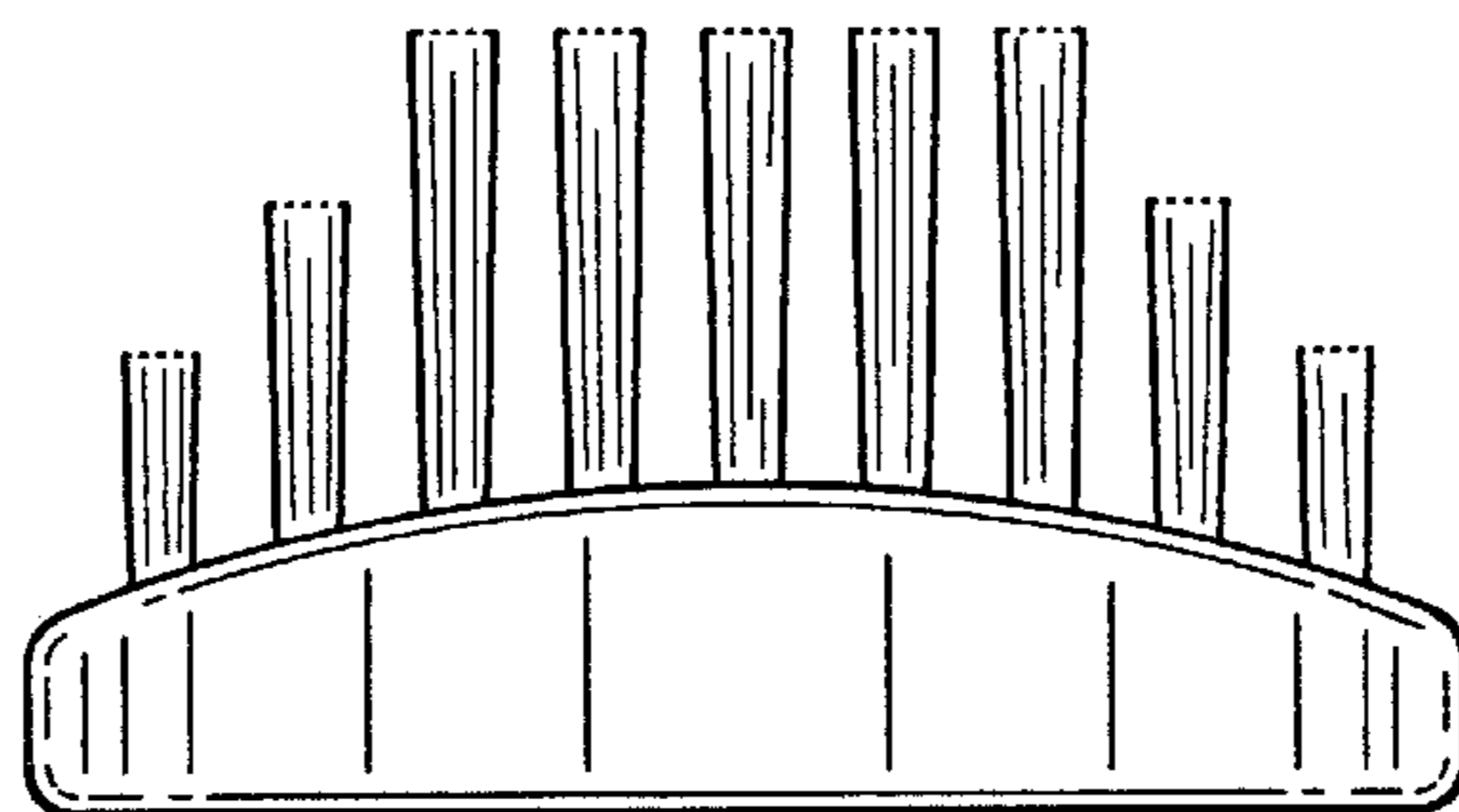


FIG. 6