



US00D459083S

(12) **United States Design Patent**  
**De Godoy Oriani et al.**

(10) **Patent No.:** **US D459,083 S**  
(45) **Date of Patent:** **\*\* Jun. 25, 2002**

(54) **BRISTLE ARRANGEMENT FOR THE HEAD OF A TOOTHBRUSH**

(76) Inventors: **Paulo César De Godoy Oriani**, rua João Thomazine n° 165, Itatiba, São Paulo (BR), CPF 068.545.188-73; **Arnaldo Antonio Ditlef**, rua Esperança n° 86/34, São José dos Campos, São Paulo (BR), CPF 020.019.798-35; **Luiz Bellino Simionato**, R. Esperança n° 227/801, São José dos Campos, São Paulo (BR), CPF 743.948.608-06; **Alexandre Petrocini Falleiros**, R. Oscar Coelho Laurino n° 171, São José dos Campos, São Paulo (BR), CPF 019.758.858-13

(\*\*) Term: **14 Years**

(21) Appl. No.: **29/128,727**

(22) Filed: **Aug. 30, 2000**

(30) **Foreign Application Priority Data**

Mar. 27, 2000 (BR) ..... DI 6000388

(51) **LOC (7) Cl.** ..... **04-02**

(52) **U.S. Cl.** ..... **D4/104**

(58) **Field of Search** ..... D4/104-112, 130, D4/132-134, 136; 15/159.1, 160, 167.1, 167.2, 207.2, DIG. 5; 601/139, 141

(56) **References Cited**

**U.S. PATENT DOCUMENTS**

D334,473 S \* 4/1993 Volpenhein et al. .... D4/104  
D359,851 S \* 7/1995 Loew ..... D4/104  
D364,740 S \* 12/1995 Loew ..... D4/104  
D391,083 S \* 2/1998 Nicoll ..... D4/104

\* cited by examiner

*Primary Examiner*—Lisa Lichtenstein

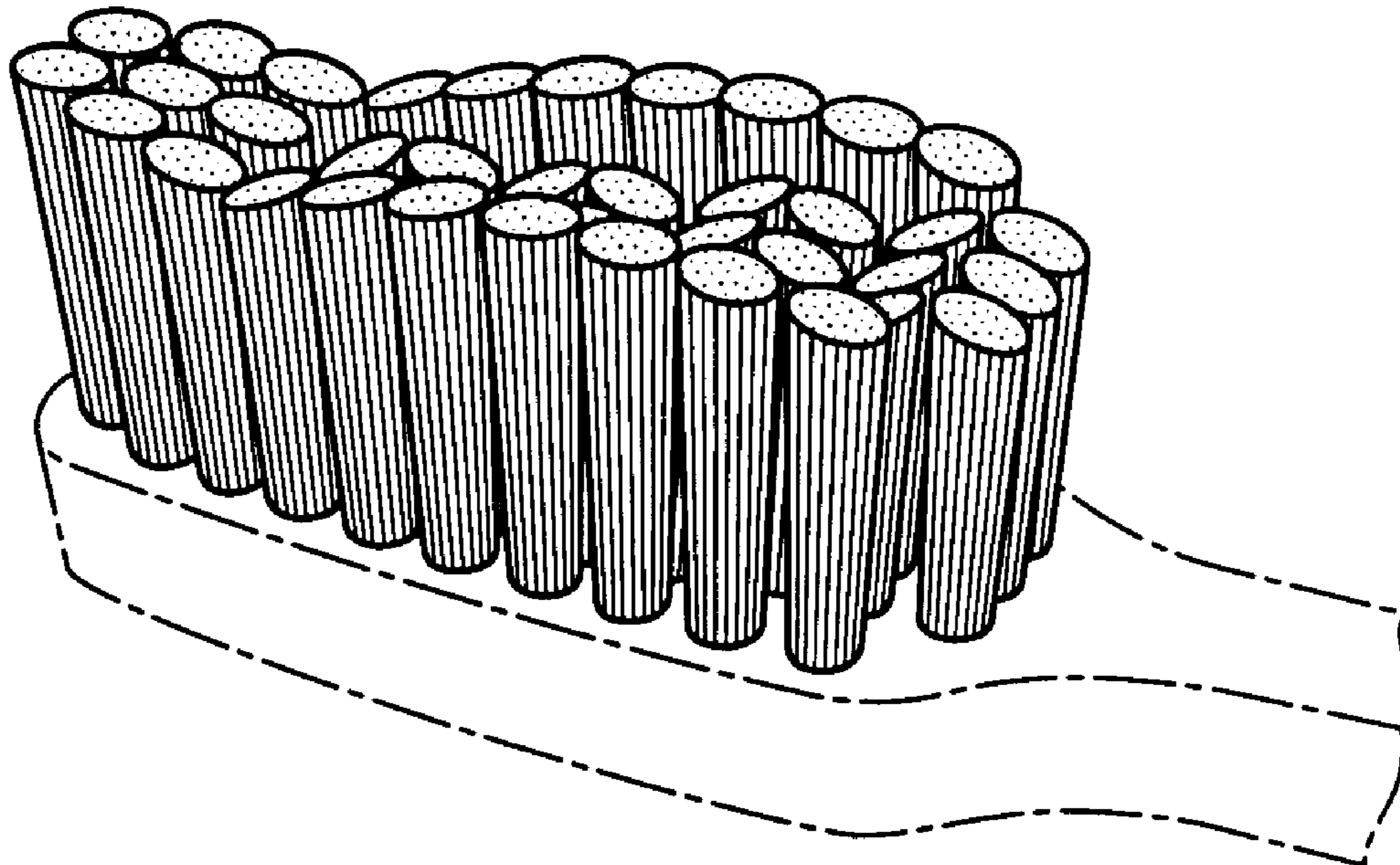
(57) **CLAIM**

The ornamental design for the bristle arrangement for the head of a toothbrush, as shown and described.

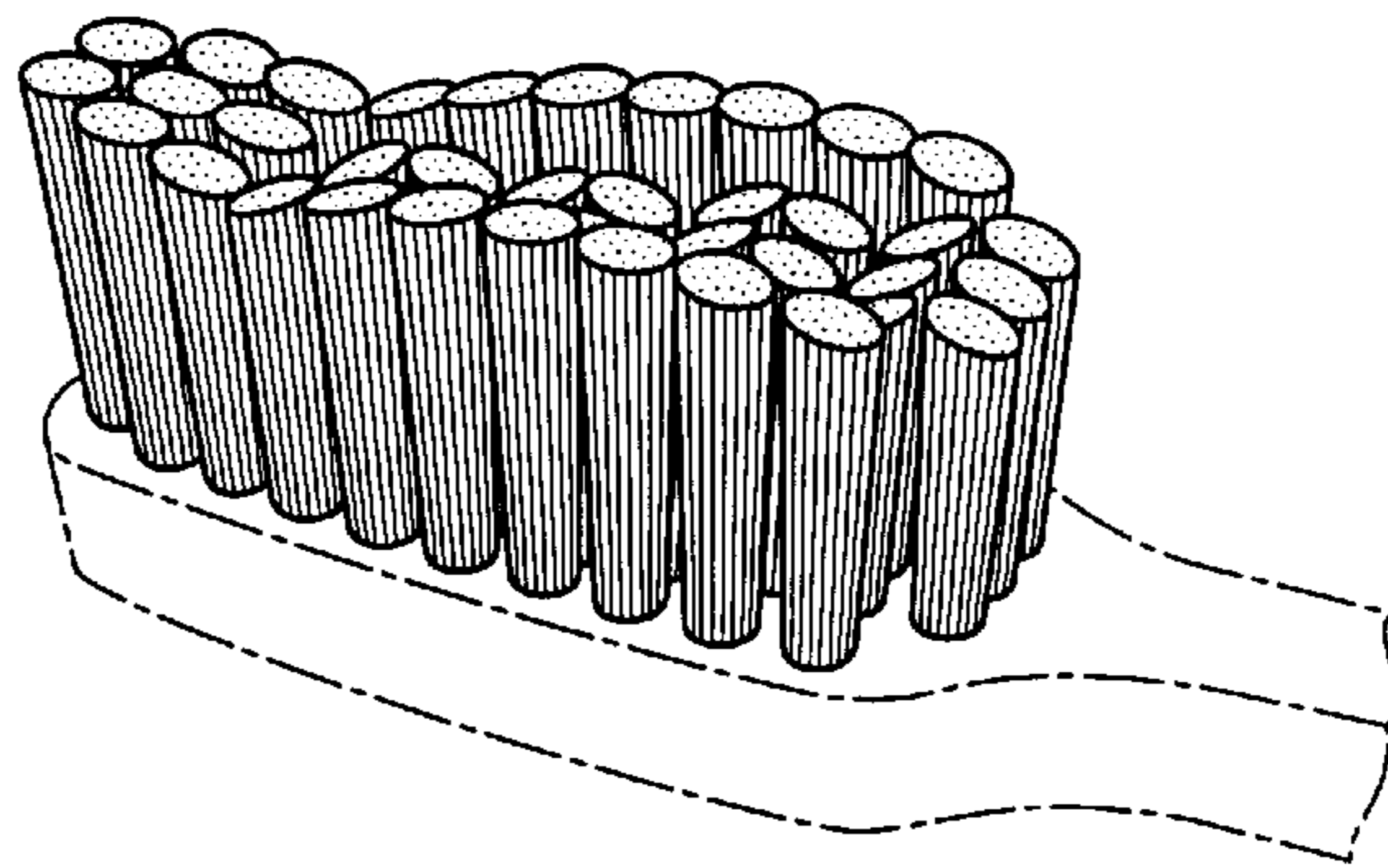
**DESCRIPTION**

FIG. 1 is a front side perspective view of the bristle arrangement for the head of a toothbrush; FIG. 2 is a side elevational view thereof; FIG. 3 is a front view thereof; FIG. 4 is a rear view thereof; FIG. 5 is an end elevational view taken from the handle end; and, FIG. 6 is an end elevational view taken from the head end. The broken line showing of environmental structure in FIGS. 1-6 is for illustrative purposes only and forms no part of the claimed design.

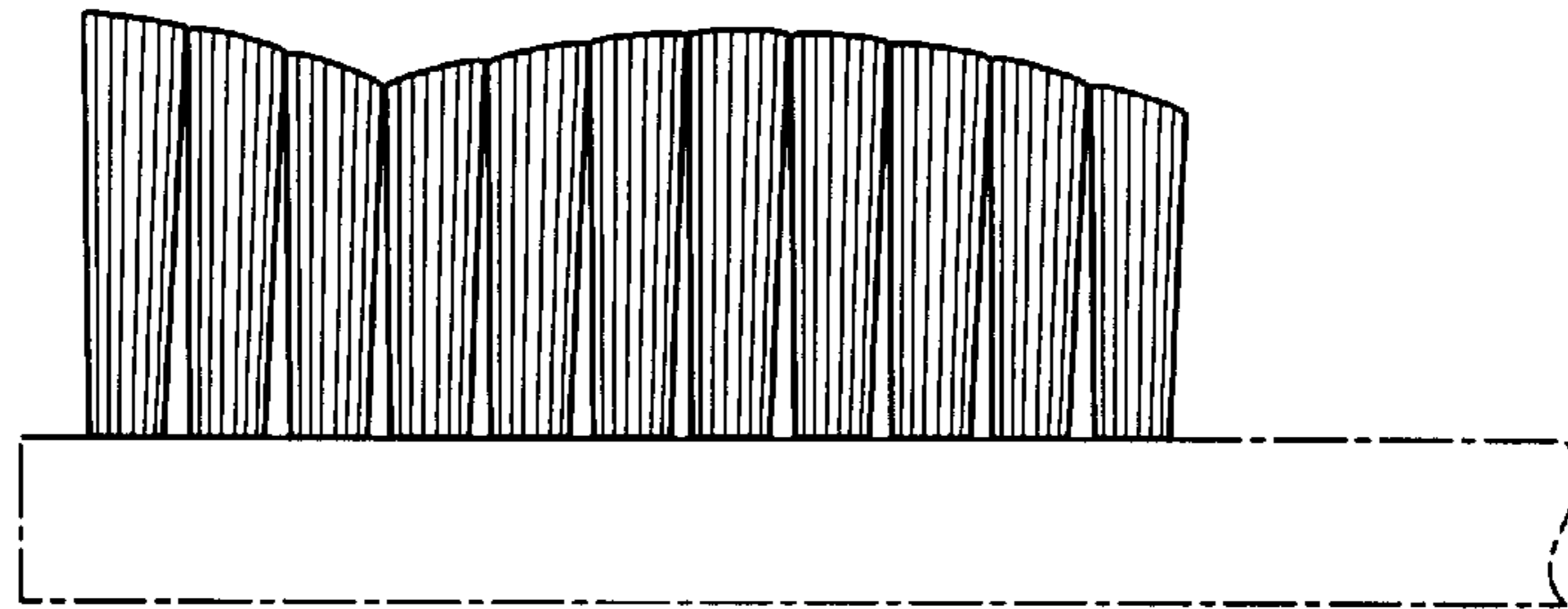
**1 Claim, 1 Drawing Sheet**



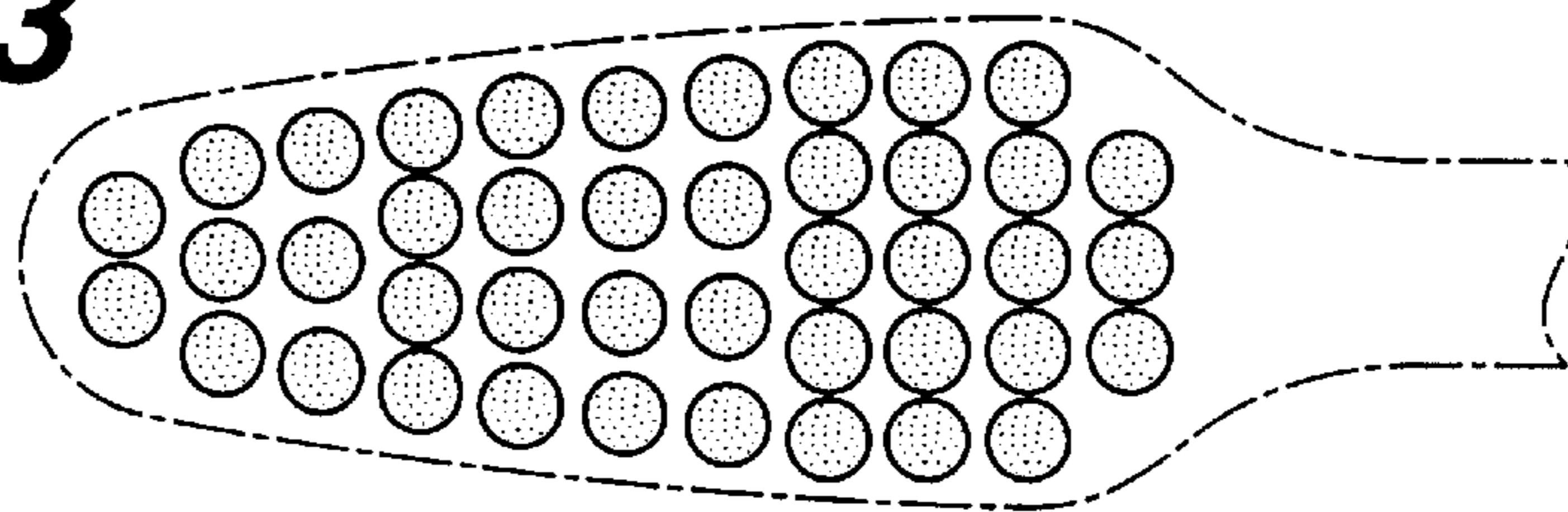
**FIG. 1**



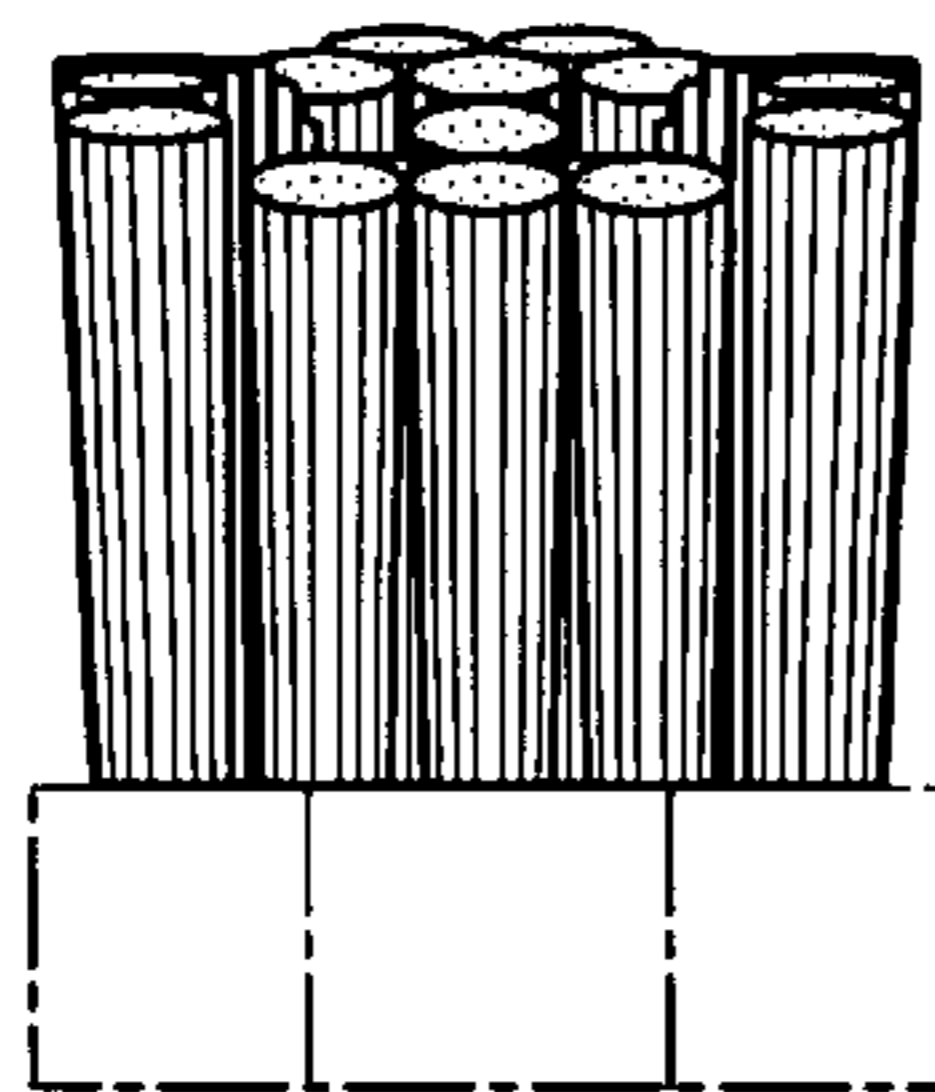
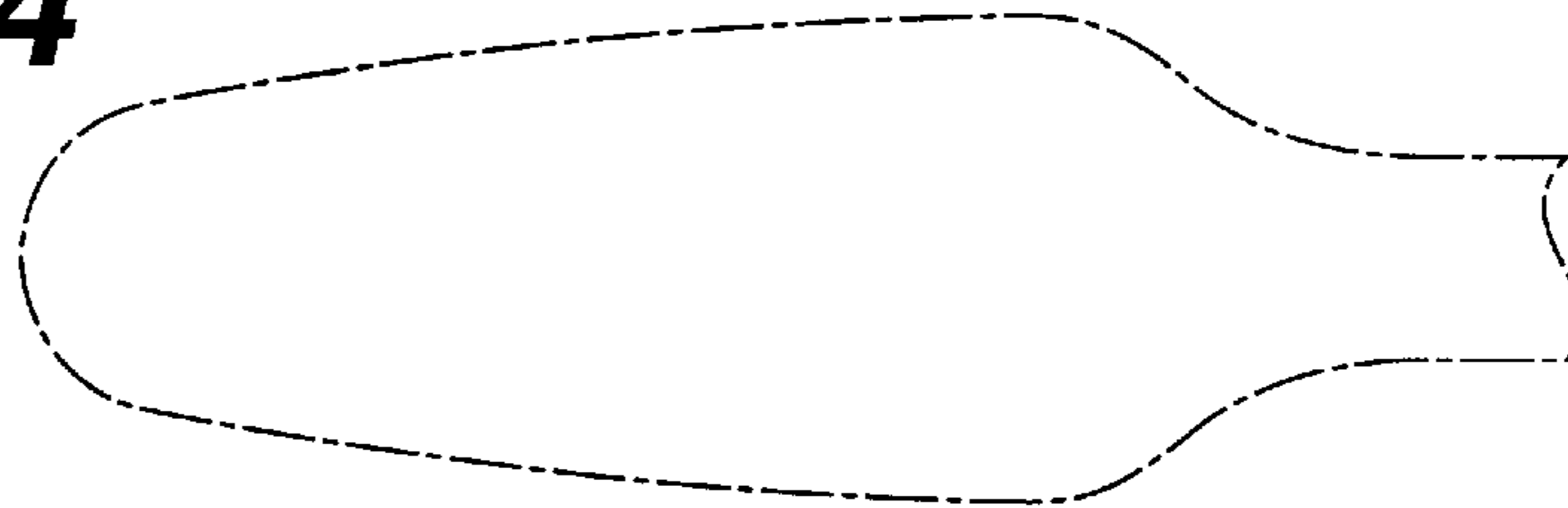
**FIG. 2**



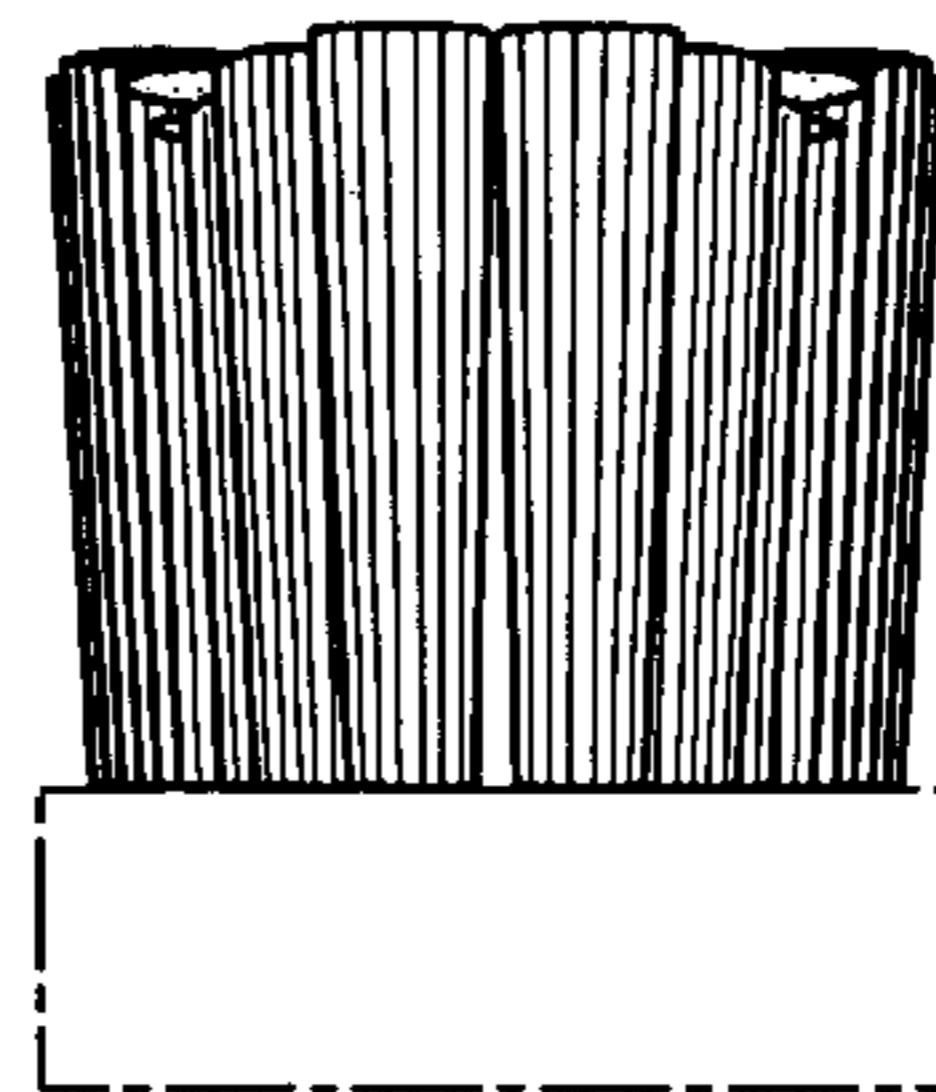
**FIG. 3**



**FIG. 4**



**FIG. 5**



**FIG. 6**