



US00D459078S

(12) **United States Design Patent**
Tondino

(10) **Patent No.:** **US D459,078 S**
(45) **Date of Patent:** **** Jun. 25, 2002**

(54) **ORGANIZER TRAY**

(75) Inventor: **David Tondino**, Laval (CA)

(73) Assignee: **Deel Distribution Inc.**, Montreal (CA)

(**) Term: **14 Years**

(21) Appl. No.: **29/142,550**

(22) Filed: **May 30, 2001**

(30) **Foreign Application Priority Data**

Nov. 30, 2000 (CA) 2000-3188

(51) **LOC (7) Cl.** **03-01**

(52) **U.S. Cl.** **D3/313**

(58) **Field of Search** D3/304-315, 901,
D3/905; 206/557-566; 220/570, 571, 575,
656-659, DIG. 12-14; D7/553.1, 363, 555,
547; 312/902; 294/172; D24/230

(56) **References Cited**

U.S. PATENT DOCUMENTS

D268,130 S * 3/1983 Easton D3/313

4,658,957 A * 4/1987 Chickanosky 206/560
4,681,221 A * 7/1987 Chickanaosky et al. 206/560
4,754,883 A * 7/1988 Grzywa 206/459.5
6,206,260 B1 * 3/2001 Covell et al. 206/561

* cited by examiner

Primary Examiner—Ian Simmons
Assistant Examiner—Deanne Levy

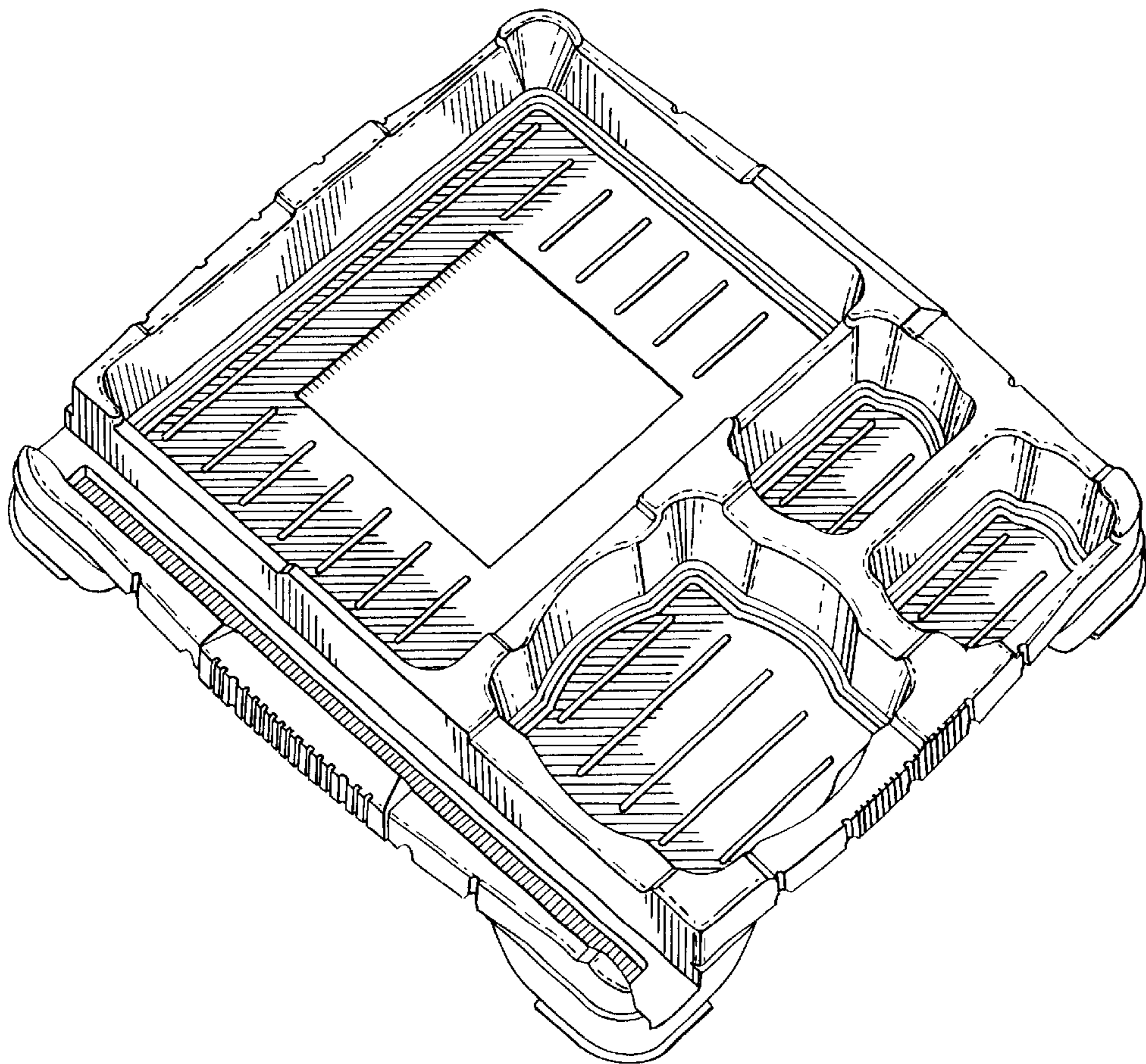
(57) **CLAIM**

The ornamental design for an organizer tray, as shown and described.

DESCRIPTION

FIG. 1 is a perspective view of the organizer tray in accordance with the present design;
FIG. 2 is a top plan view thereof;
FIG. 3 is a front elevational view thereof;
FIG. 4 is an elevational view taken from the left side thereof;
FIG. 5 is a rear elevational view;
FIG. 6 is an elevational view taken from the right side thereof; and,
FIG. 7 is a bottom plan view.

1 Claim, 5 Drawing Sheets



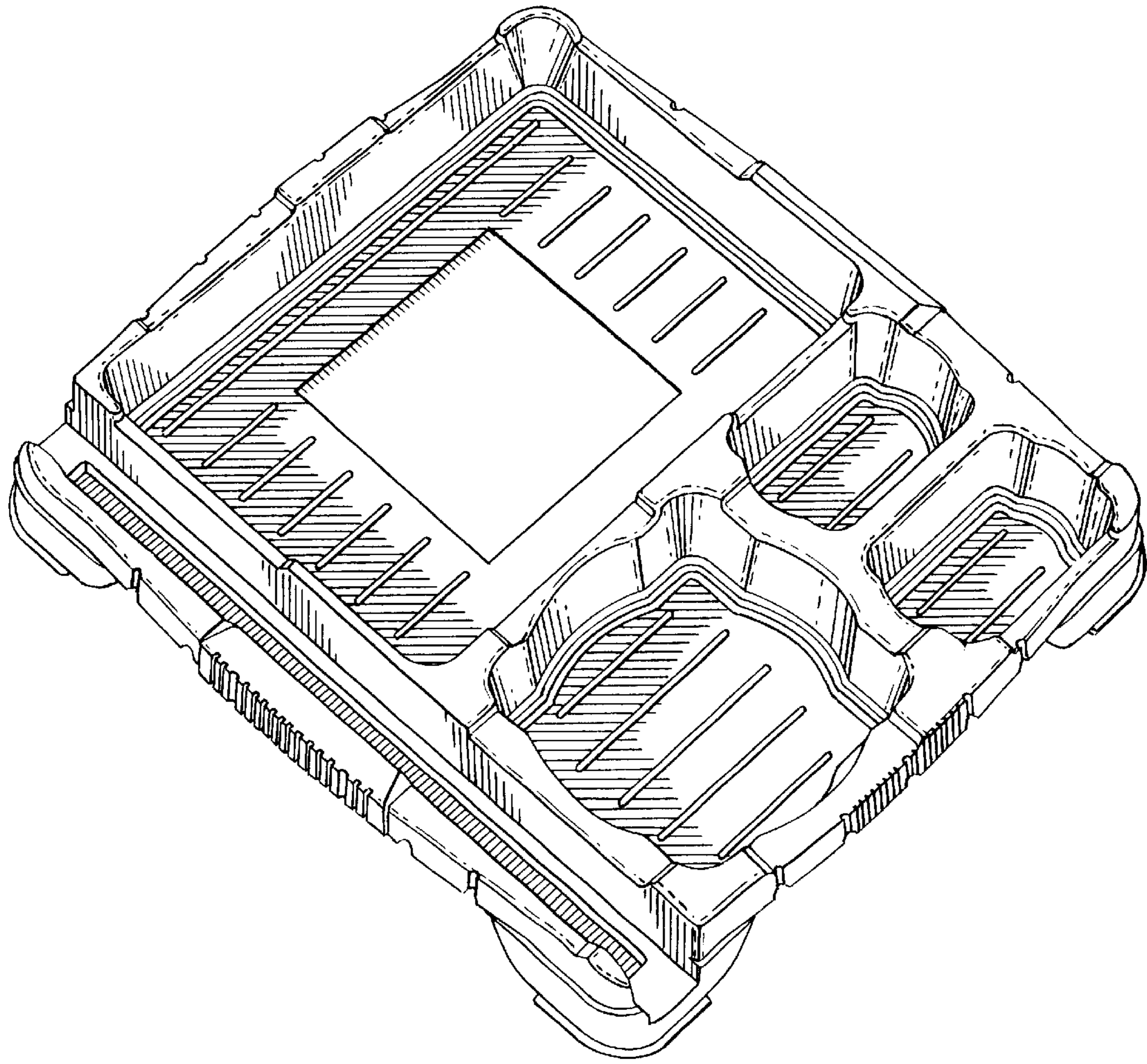


Fig. 1

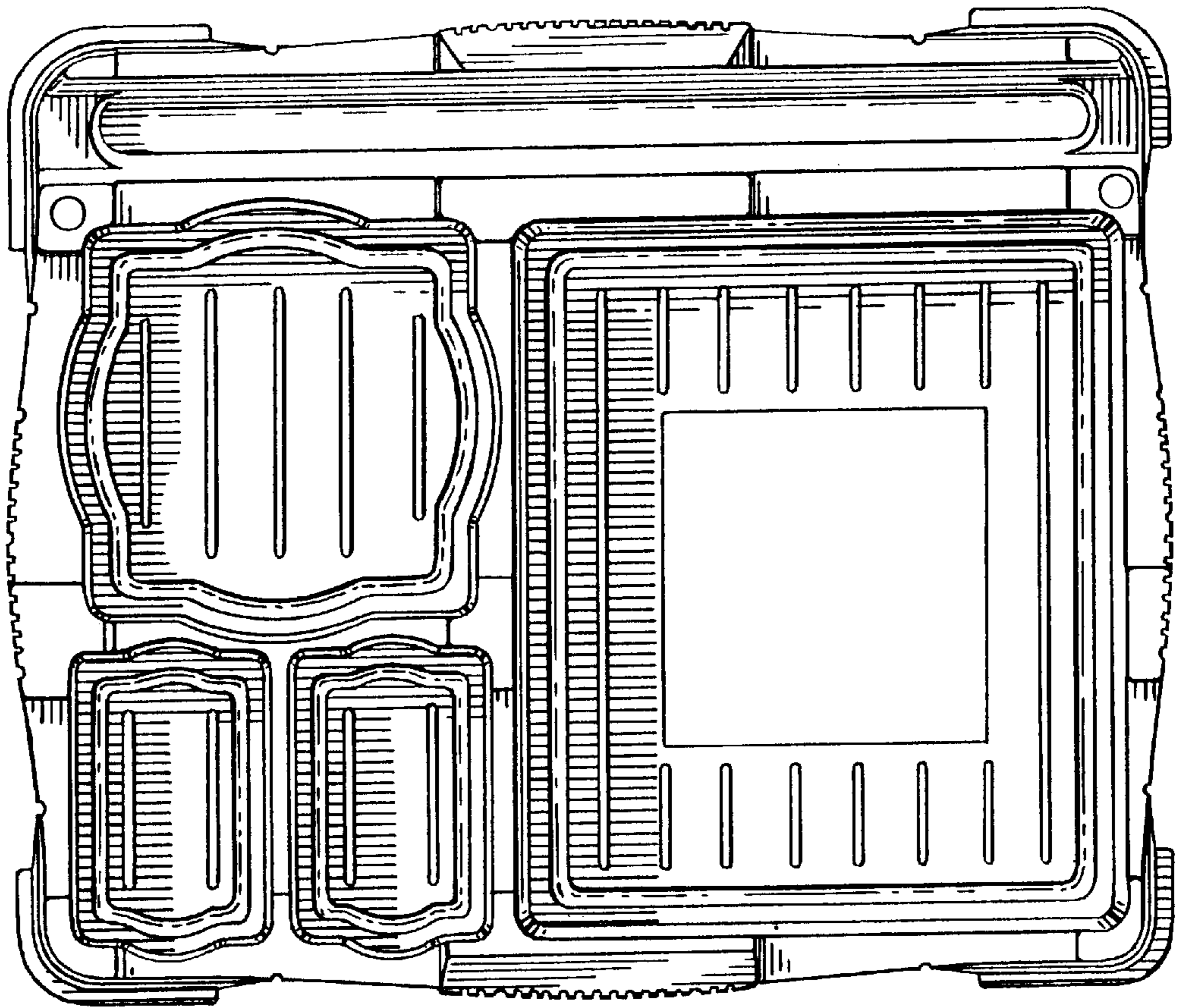


Fig. 2

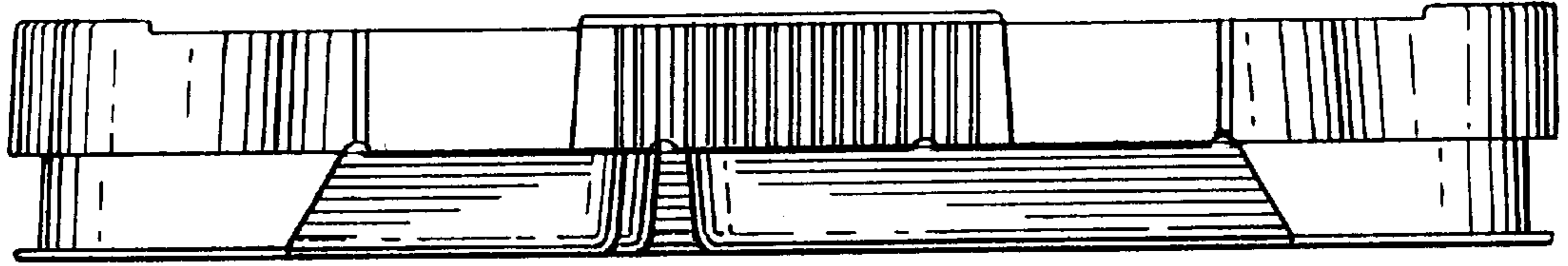


Fig. 3

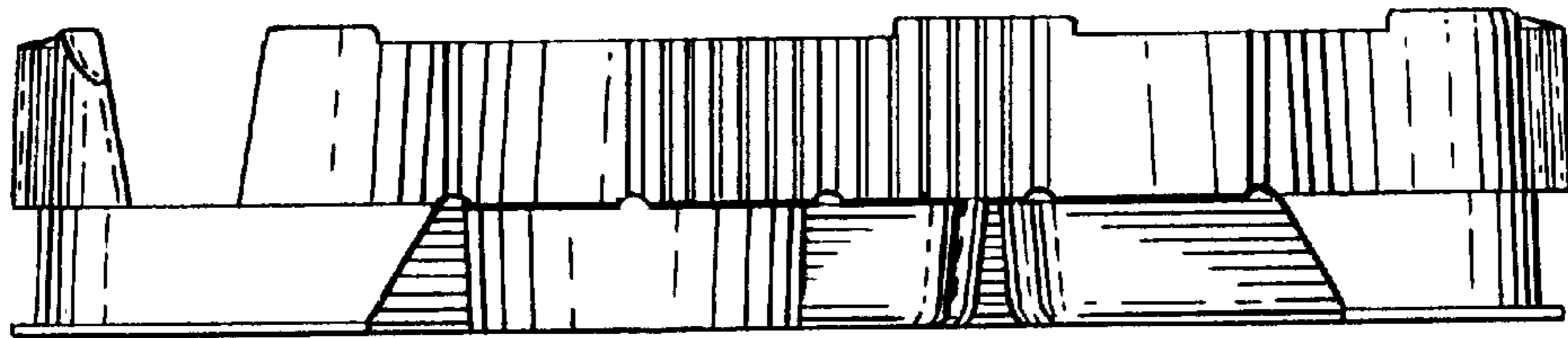


Fig. 4

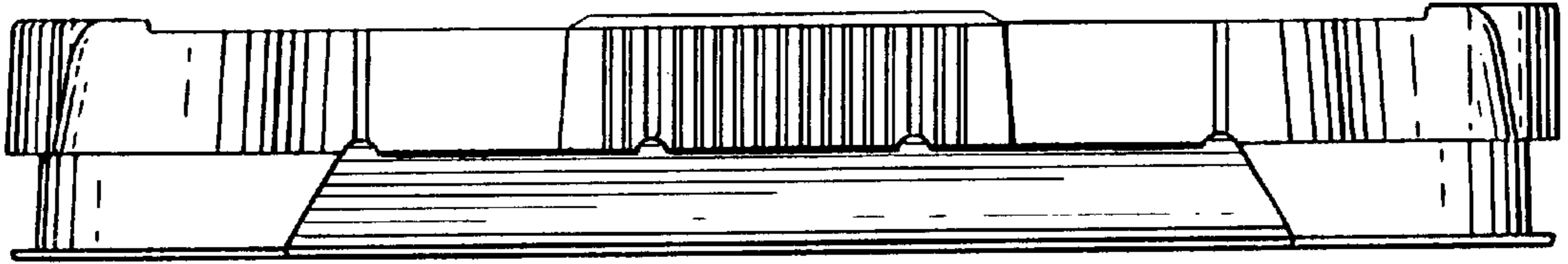


Fig. 5

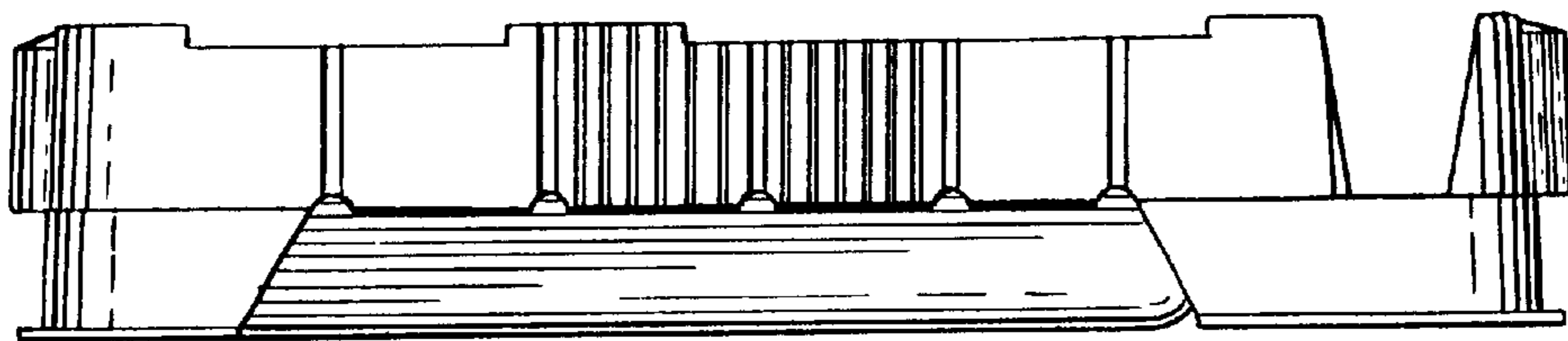


Fig. 6

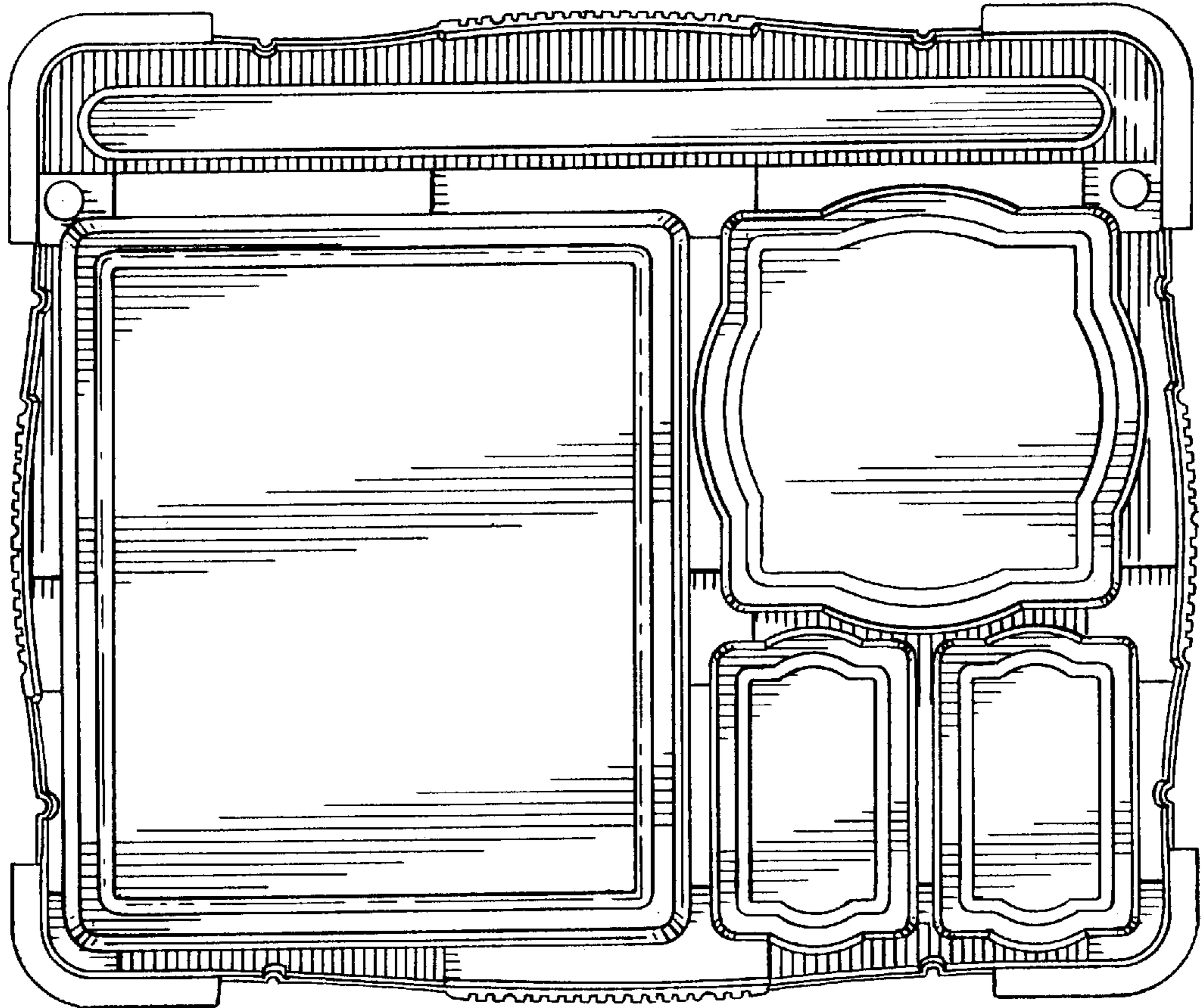


Fig. 7