



US00D459077S

(12) **United States Design Patent**
Krivulin

(10) **Patent No.:** **US D459,077 S**

(45) **Date of Patent:** **** Jun. 25, 2002**

(54) **BASKET**

(75) **Inventor:** **Semion Krivulin, Richmond (CA)**

(73) **Assignee:** **Vanguard Plastics Ltd., Surrey (CA)**

(**) **Term:** **14 Years**

(21) **Appl. No.:** **29/146,530**

(22) **Filed:** **Aug. 13, 2001**

(51) **LOC (7) Cl.** **03-01**

(52) **U.S. Cl.** **D3/307**

(58) **Field of Search** D3/304, 305, 307-309,
D3/312, 314, 315, 318, 201; 220/675, 752,
760-764, 768, 769, 773; 206/506, 508,
510, 821

(56) **References Cited**

U.S. PATENT DOCUMENTS

4,478,344 A * 10/1984 Rehrig 220/675
D276,281 S * 11/1984 Landgren D3/309

4,523,692 A * 6/1985 Lemkin 206/508
D290,179 S * 6/1987 Peltola D3/309
4,770,300 A * 9/1988 Klein 206/506
D326,550 S * 5/1992 Waterman D3/307
5,469,986 A * 11/1995 Jang 220/760
D382,999 S * 9/1997 Rehrig D3/314

* cited by examiner

Primary Examiner—Louis S. Zarfaz

Assistant Examiner—Deanne Levy

(74) *Attorney, Agent, or Firm*—Frederick Kaufman

(57) **CLAIM**

The ornamental design for a basket, as shown and described.

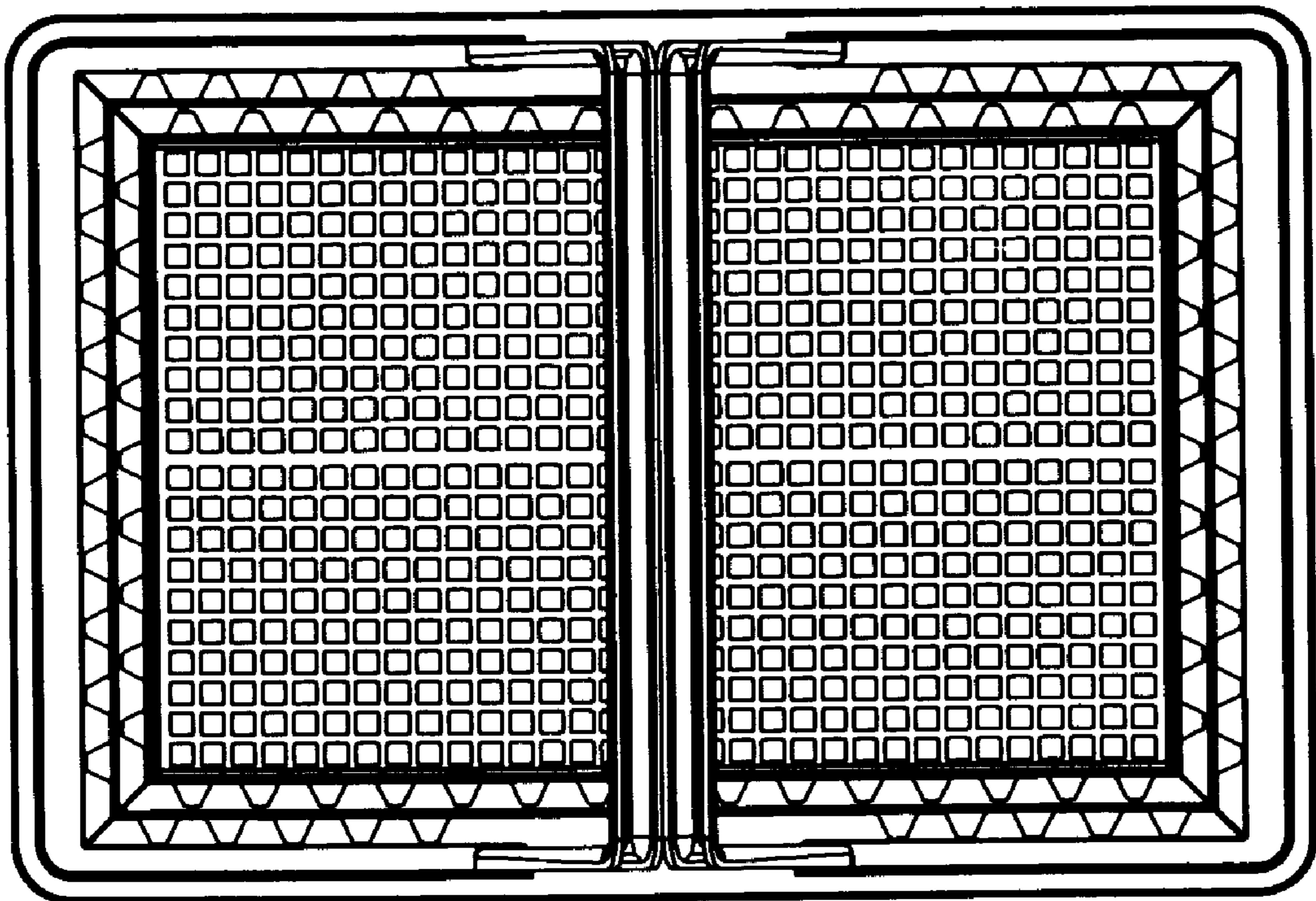
DESCRIPTION

FIG. 1 is a front elevation view of a basket showing my new design;

FIG. 2 is a top view thereof; and,

FIG. 3 is a right side view thereof.

1 Claim, 1 Drawing Sheet



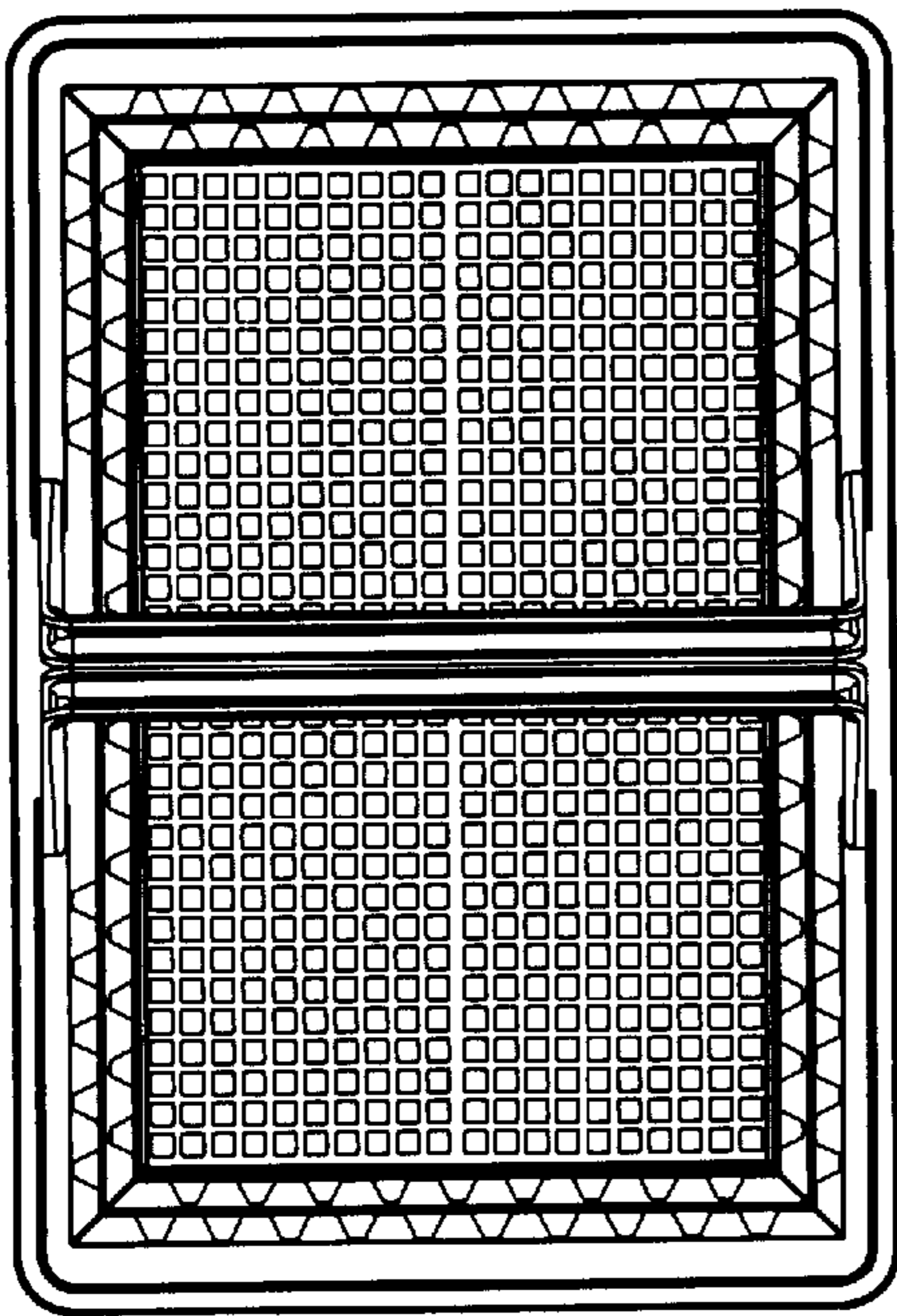


Fig. 2

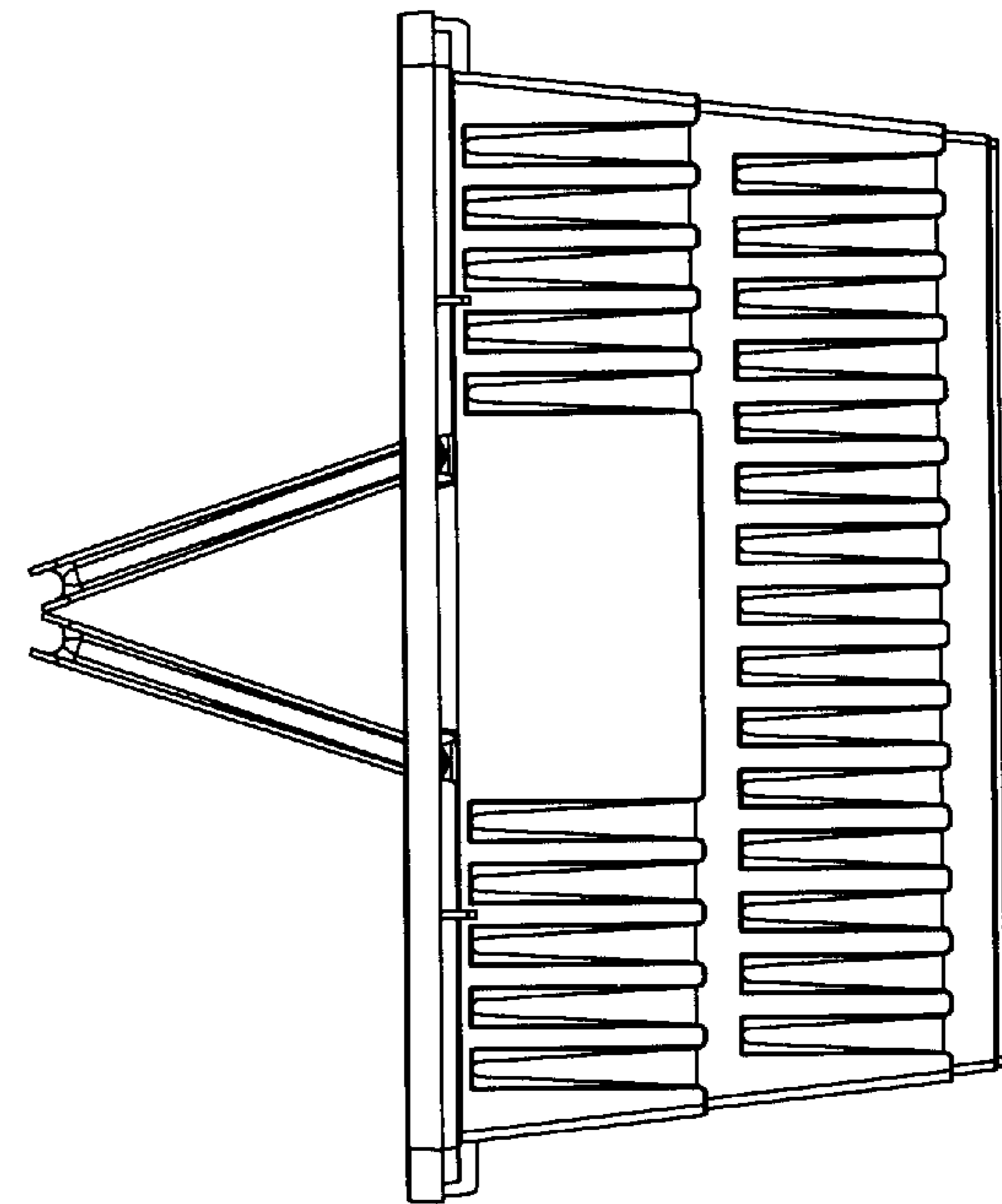


Fig. 1

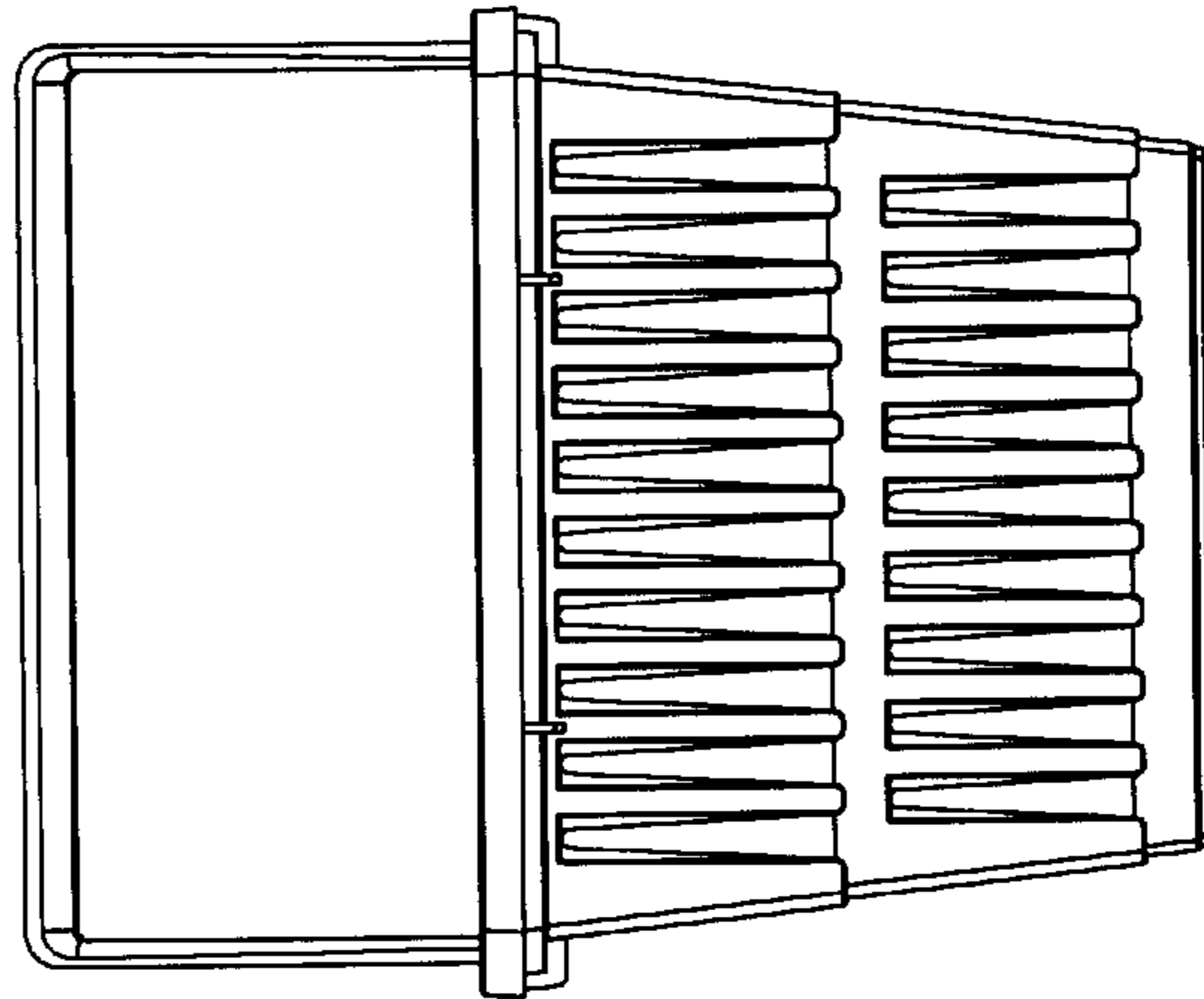


Fig. 3