



US00D459075S

(12) **United States Design Patent** (10) **Patent No.:** **US D459,075 S**
Pukall et al. (45) **Date of Patent:** **** Jun. 25, 2002**

(54) **SADDLE BAG ATTACHMENT AND RELATED CARRYING CASE**

Primary Examiner—Philip S. Hyder
(74) *Attorney, Agent, or Firm*—Baniak Pine & Gannon

(75) Inventors: **Britta Pukall**, Feldmeilen (CH); **Janet Ratajczak**, McHenry, IL (US); **Beat J. Moser**, Cham (CH)

(57) **CLAIM**

The ornamental design for a saddle bag attachment and related carrying case, as shown and described.

(73) Assignee: **Medela Holding AG** (CH)

DESCRIPTION

(**) Term: **14 Years**

(21) Appl. No.: **29/141,434**

(22) Filed: **May 4, 2001**

(51) **LOC (7) Cl.** **03-01**

(52) **U.S. Cl.** **D3/289; D3/276**

(58) **Field of Search** D3/272, 273, 276, D3/283, 284, 285, 287, 288, 289, 301; 190/100, 109, 110, 111, 112, 113

FIG. 1 is a perspective elevational view of a saddle bag attachment and related carrying case in accordance with the invention;

FIG. 2 is a side elevational view thereof;

FIG. 3 is an end elevational view looking at the right-hand side of the saddle bag attachment and related carrying case;

FIG. 4 is another side elevational view looking at the other side (from FIG. 1) of the saddle bag attachment and related carrying case;

FIG. 5 is another end elevational view looking at the left-hand side of the saddle bag attachment and related carrying case;

FIG. 6 is a view of the top of the saddle bag attachment and related carrying case; and,

FIG. 7 is a view of the bottom of the saddle bag attachment and related carrying case.

The broken line showings of the strap are for illustrative purposes only and form no part of the claimed design.

(56) **References Cited**

U.S. PATENT DOCUMENTS

D325,128 S	*	4/1992	Cyr et al.	D3/268
D345,651 S	*	4/1994	Copp	D3/285
D356,678 S	*	3/1995	Tawil	D3/276
D360,978 S	*	8/1995	Willard et al.	D3/301
D368,370 S	*	4/1996	Tawil	D3/276
D376,045 S	*	12/1996	Bernstein et al.	D3/287
D380,612 S	*	7/1997	Kelley et al.	D3/276
D443,983 S	*	6/2001	Hillman	D3/276

* cited by examiner

1 Claim, 4 Drawing Sheets



FIG. 1



FIG. 3

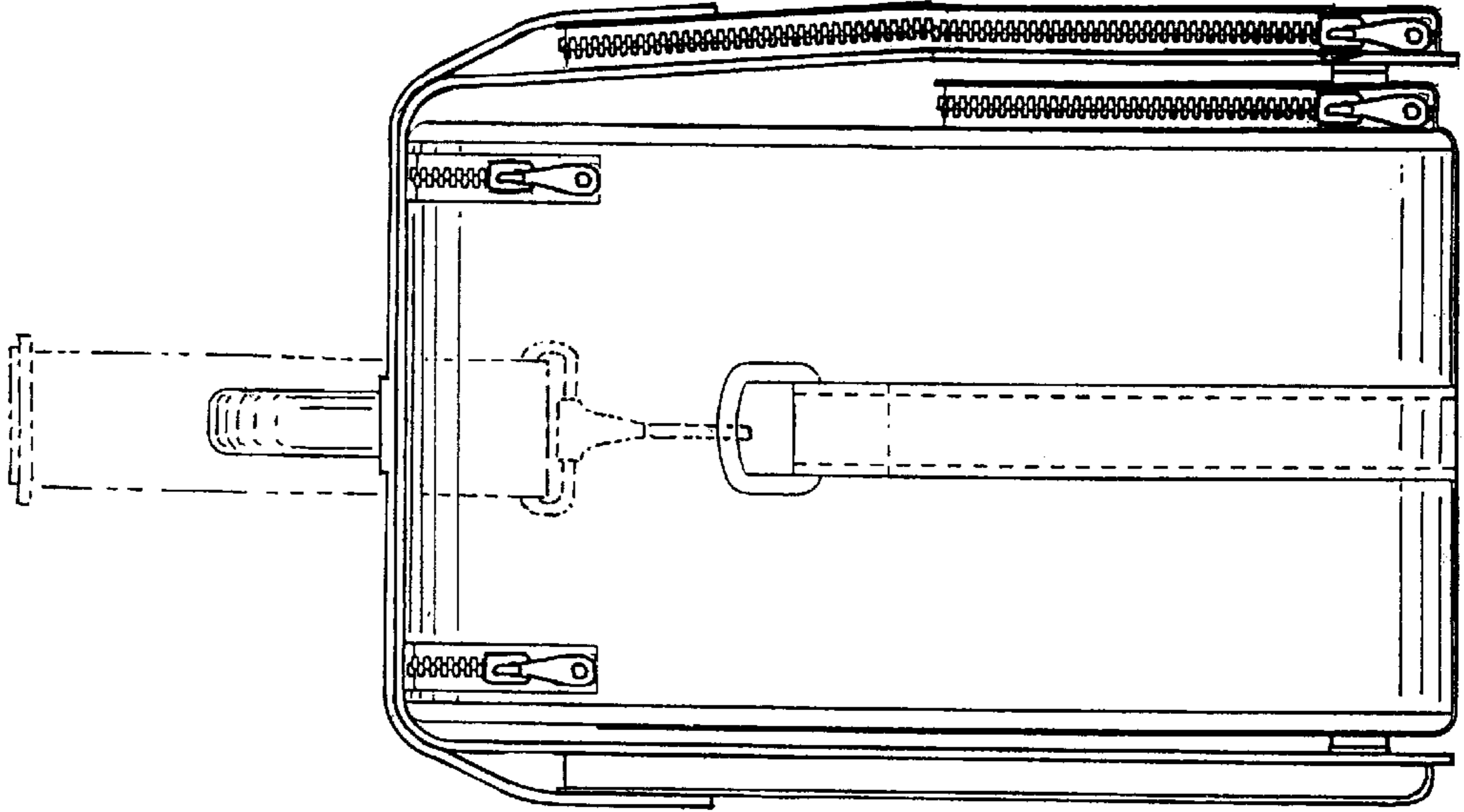


FIG. 2

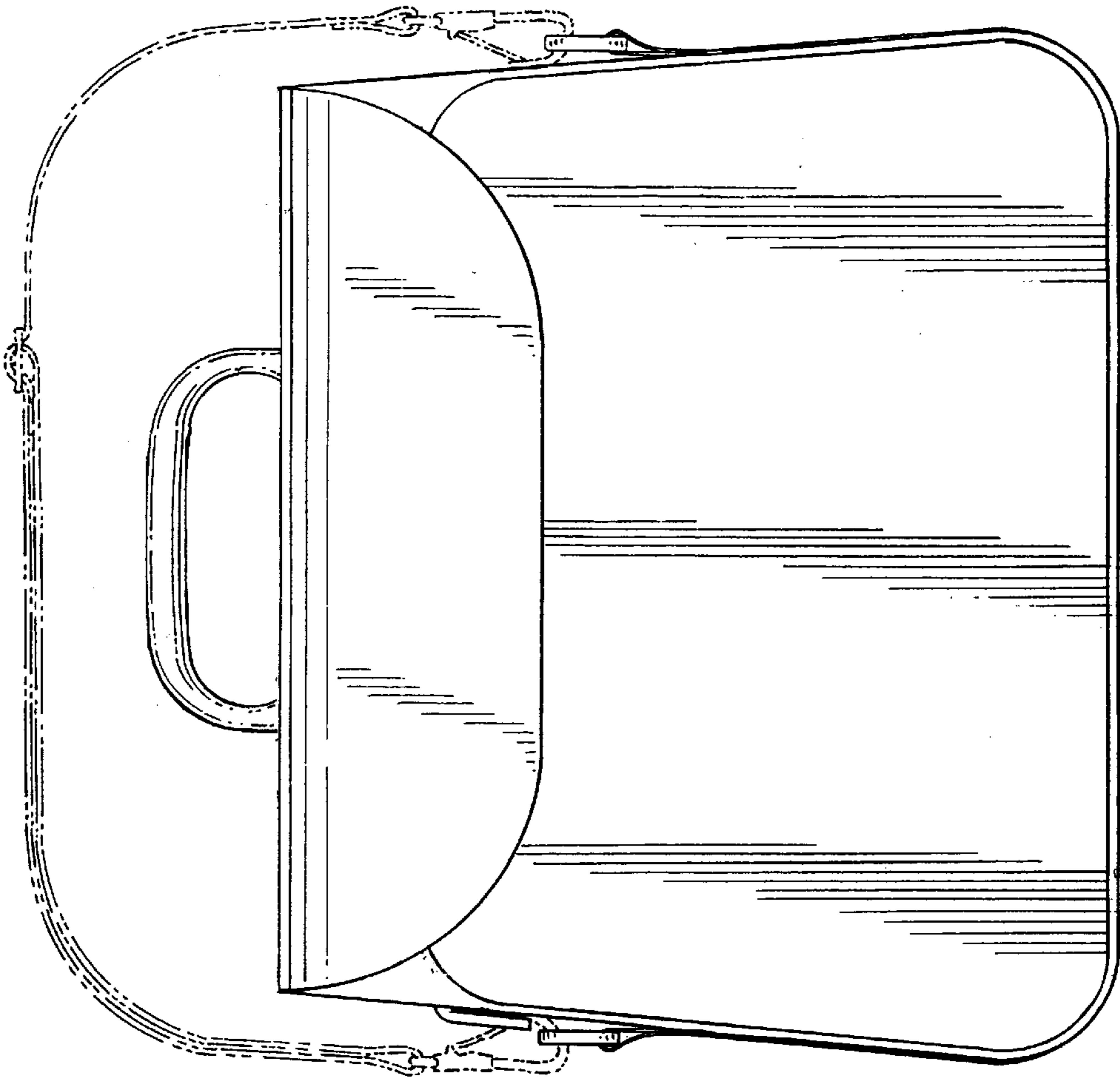


FIG. 5

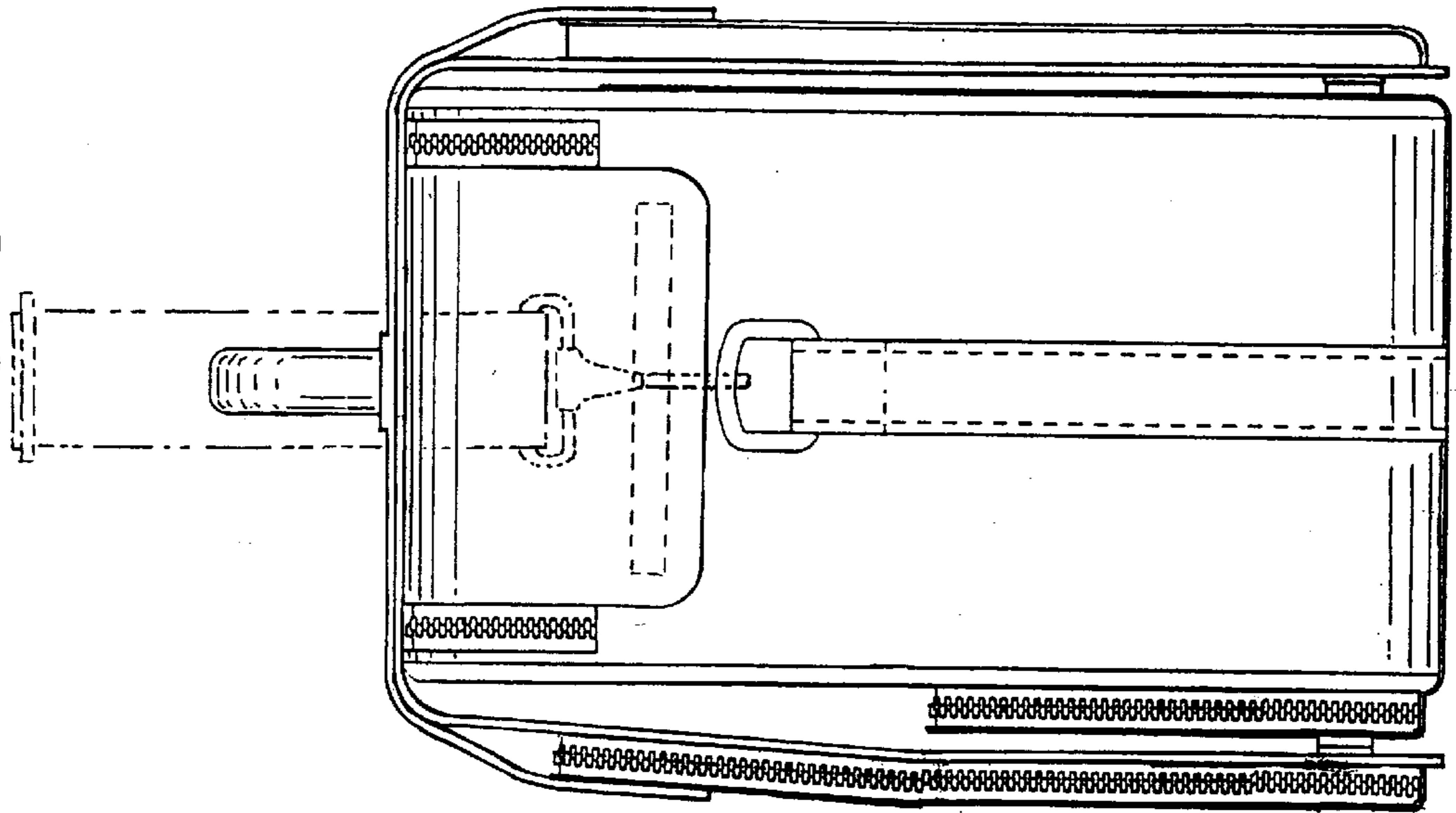


FIG. 4

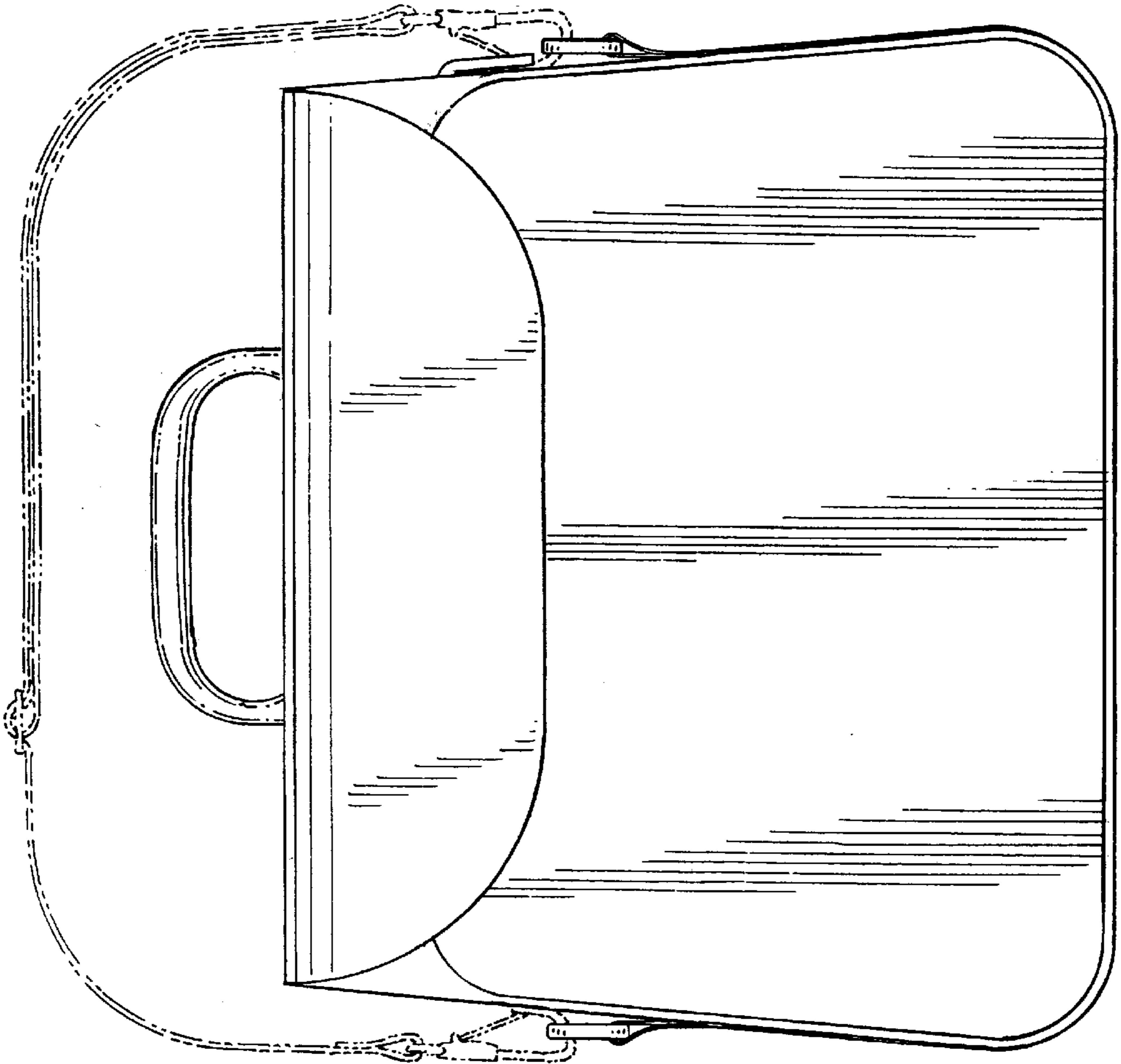


FIG. 6

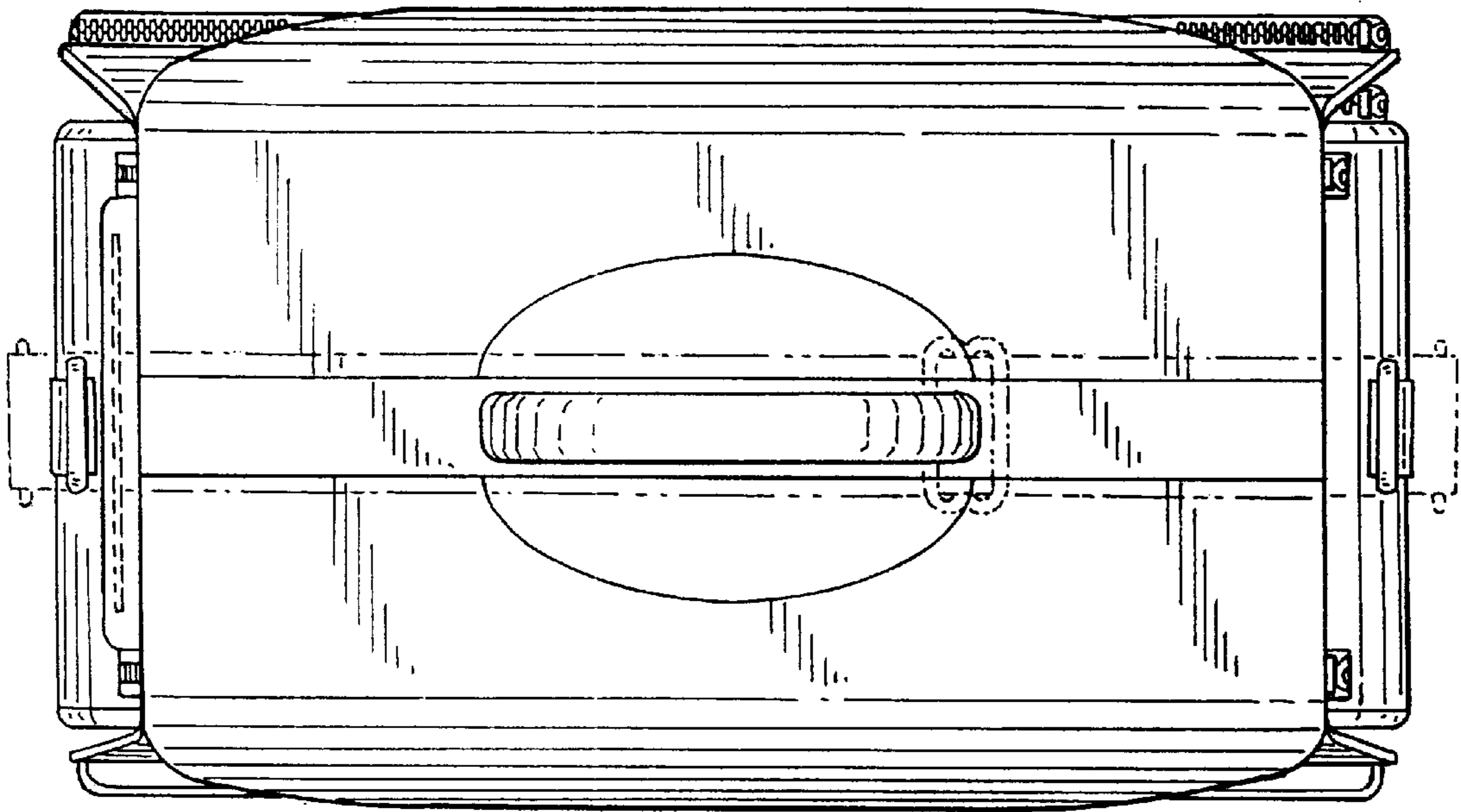


FIG. 7

