



US00D459073S

(12) **United States Design Patent**
Lee

(10) **Patent No.:** **US D459,073 S**
(45) **Date of Patent:** **** Jun. 25, 2002**

(54) **GAMES CARRIER**

(75) Inventor: **Man-Tat Lee**, Kowloon (CN)

(73) Assignee: **Storm Electronics Company Limited**,
Kowloon (CN)

(**) Term: **14 Years**

(21) Appl. No.: **29/142,262**

(22) Filed: **May 22, 2001**

(30) **Foreign Application Priority Data**

Dec. 5, 2000 (HK) 0011774

(51) **LOC (7) Cl.** **03-01**

(52) **U.S. Cl.** **D3/276; D3/281; D3/291**

(58) **Field of Search** **D3/272, 273, 276,**
D3/281, 282, 291, 294, 283, 905; 206/315.1,
372, 373, 349

(56) **References Cited**

U.S. PATENT DOCUMENTS

D323,675 S * 2/1992 Klodt D19/75
D355,763 S * 2/1995 Sun D3/276
D378,874 S * 4/1997 Dickinson et al. D3/281

D389,309 S * 1/1998 Shaw D3/276
D400,916 S * 11/1998 Dickinson et al. D3/281
D408,142 S * 4/1999 Song D3/276
D414,606 S * 10/1999 Sun D3/276
D416,682 S * 11/1999 Tanji D3/281
D417,956 S * 12/1999 Story et al. D3/276
D418,296 S * 1/2000 Kobayashi D3/276

* cited by examiner

Primary Examiner—Philip S. Hyder

(74) *Attorney, Agent, or Firm*—Alix, Yale & Ristas, LLP

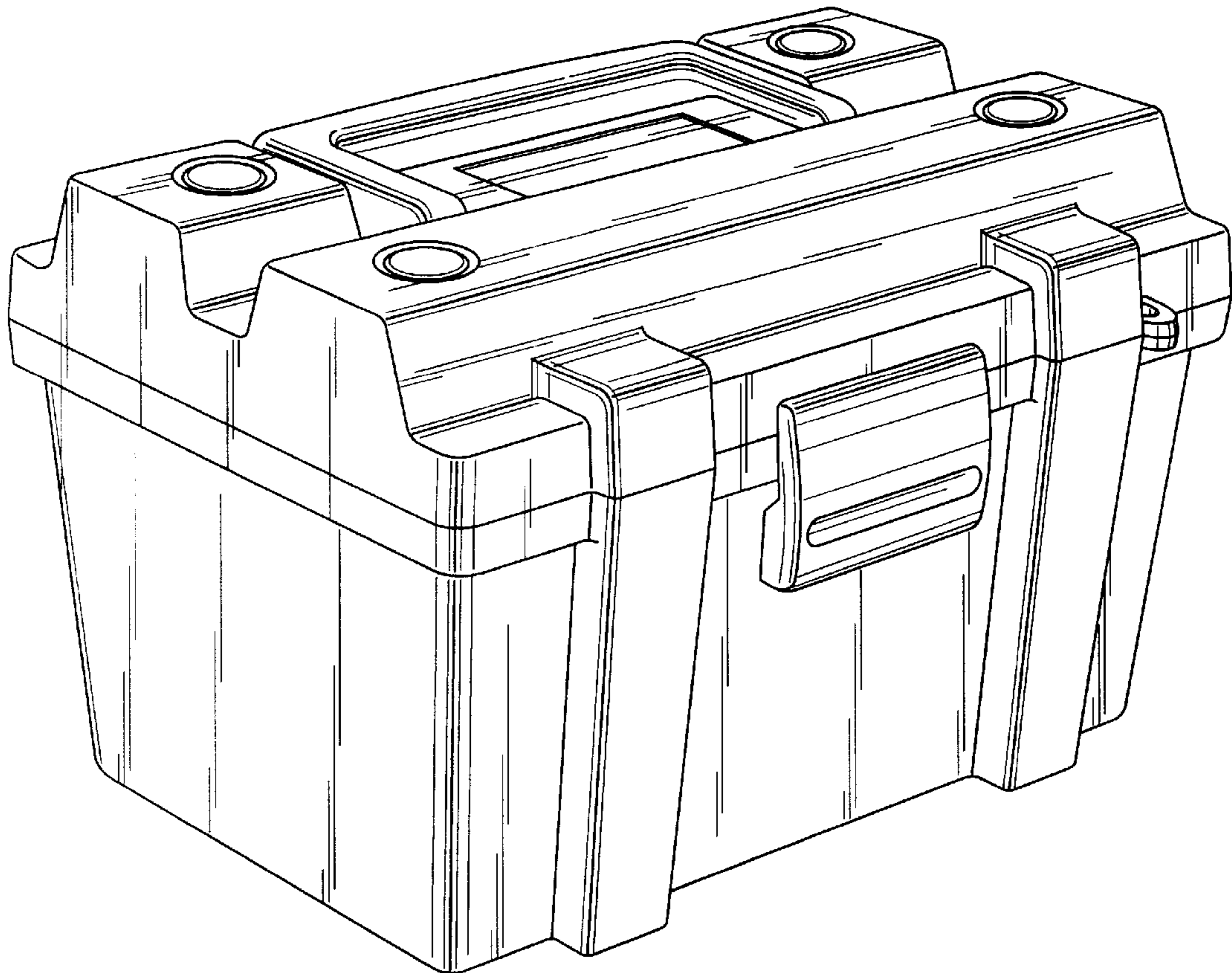
(57) **CLAIM**

The ornamental design for a games carrier, as shown and described.

DESCRIPTION

FIG. 1 is a perspective view of a games carrier showing my new design;
FIG. 2 is a front perspective view thereof;
FIG. 3 is a rear elevational view thereof;
FIG. 4 is a left side elevational view thereof;
FIG. 5 is a right side elevational view thereof;
FIG. 6 is a top plan view thereof; and,
FIG. 7 is a bottom plan view thereof.

1 Claim, 5 Drawing Sheets



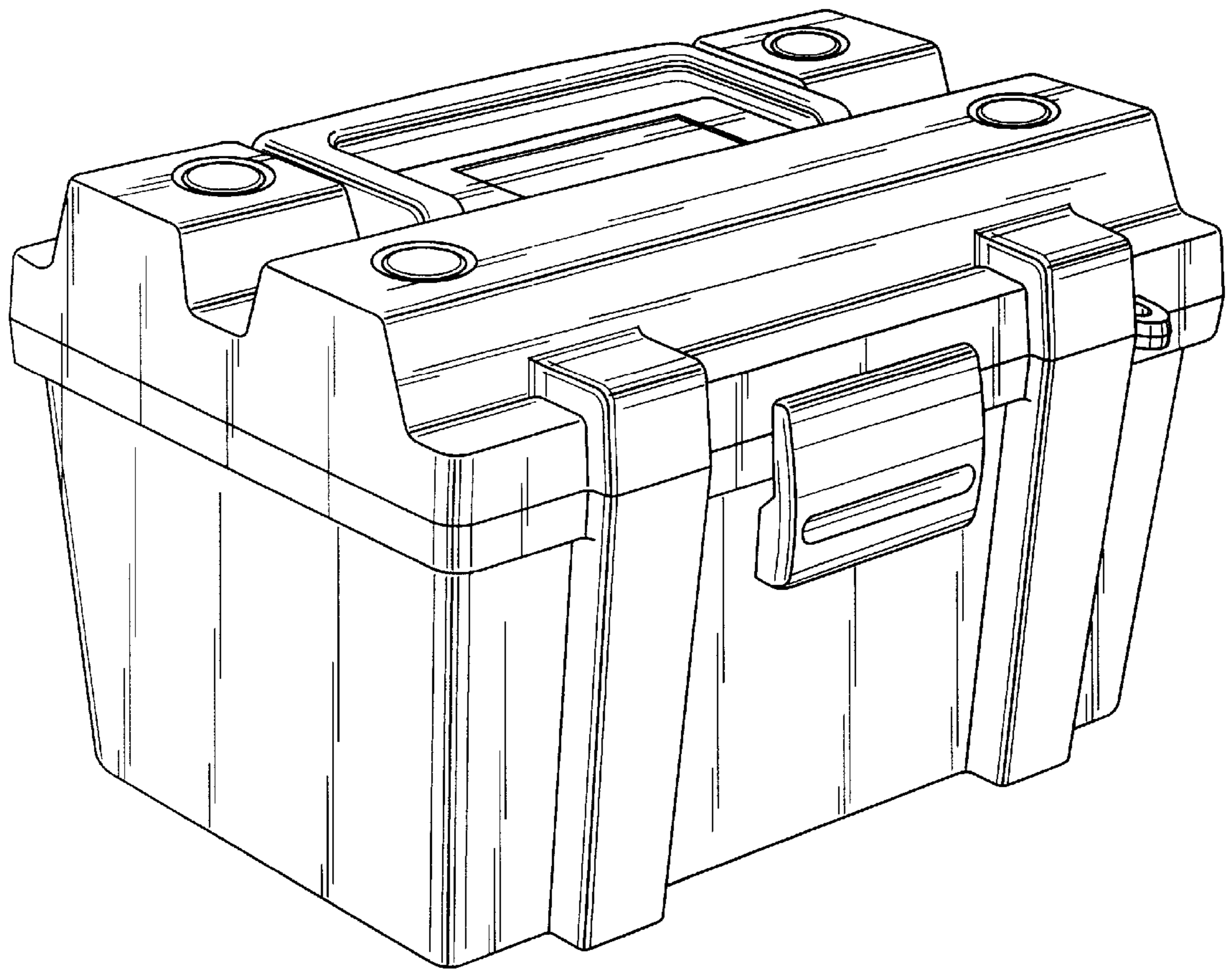


FIG. 1

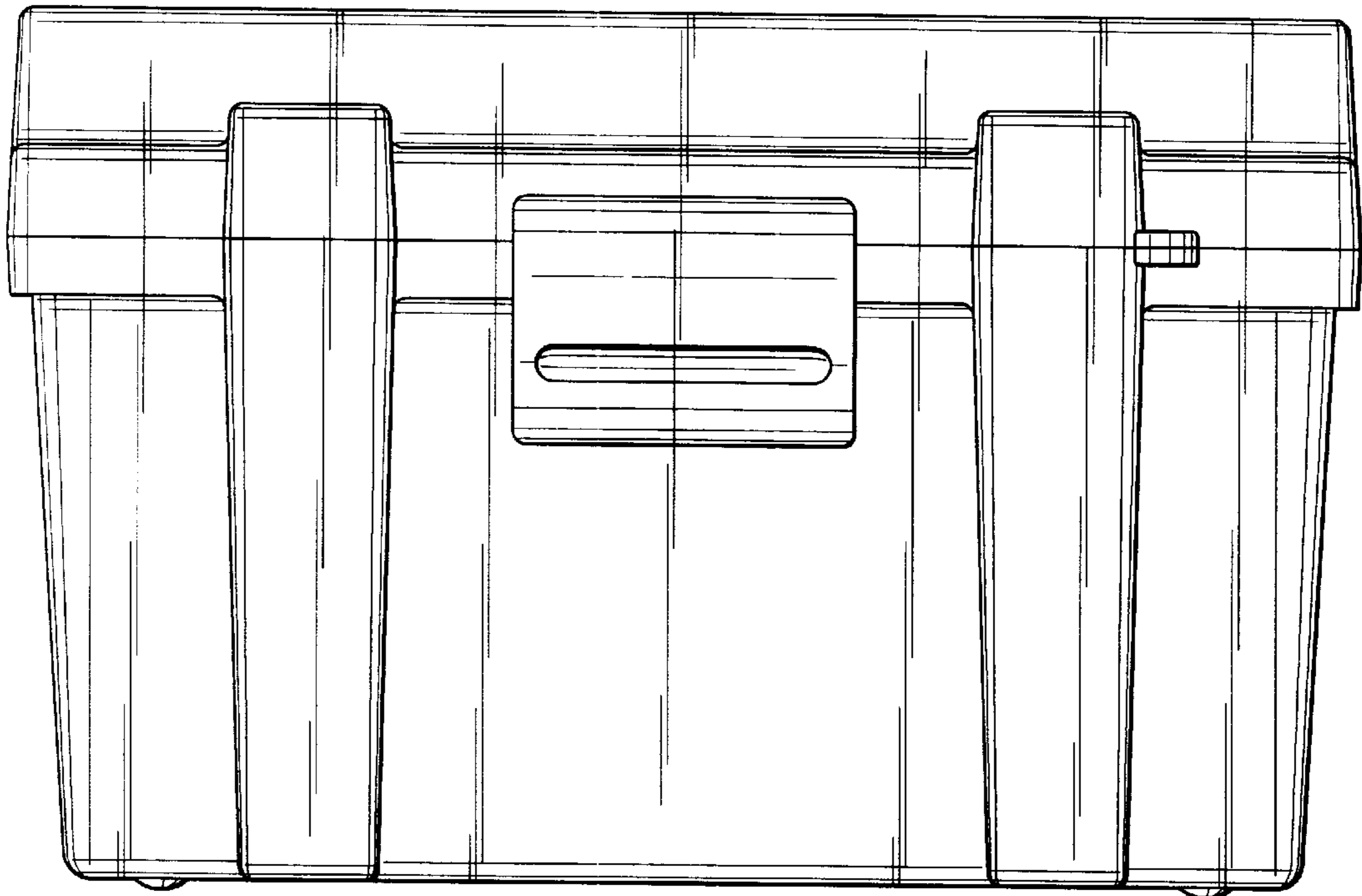


FIG. 2

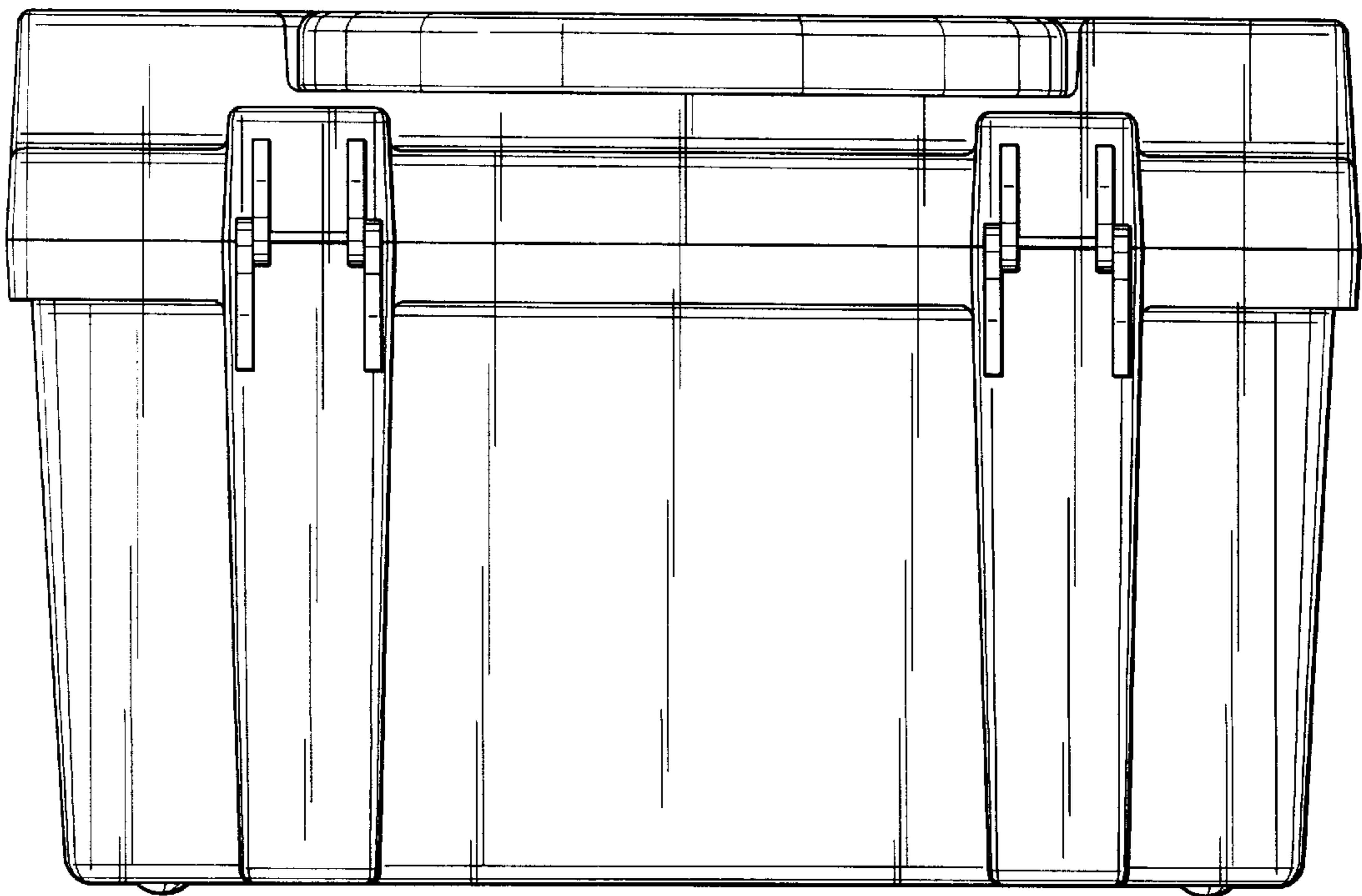


FIG. 3

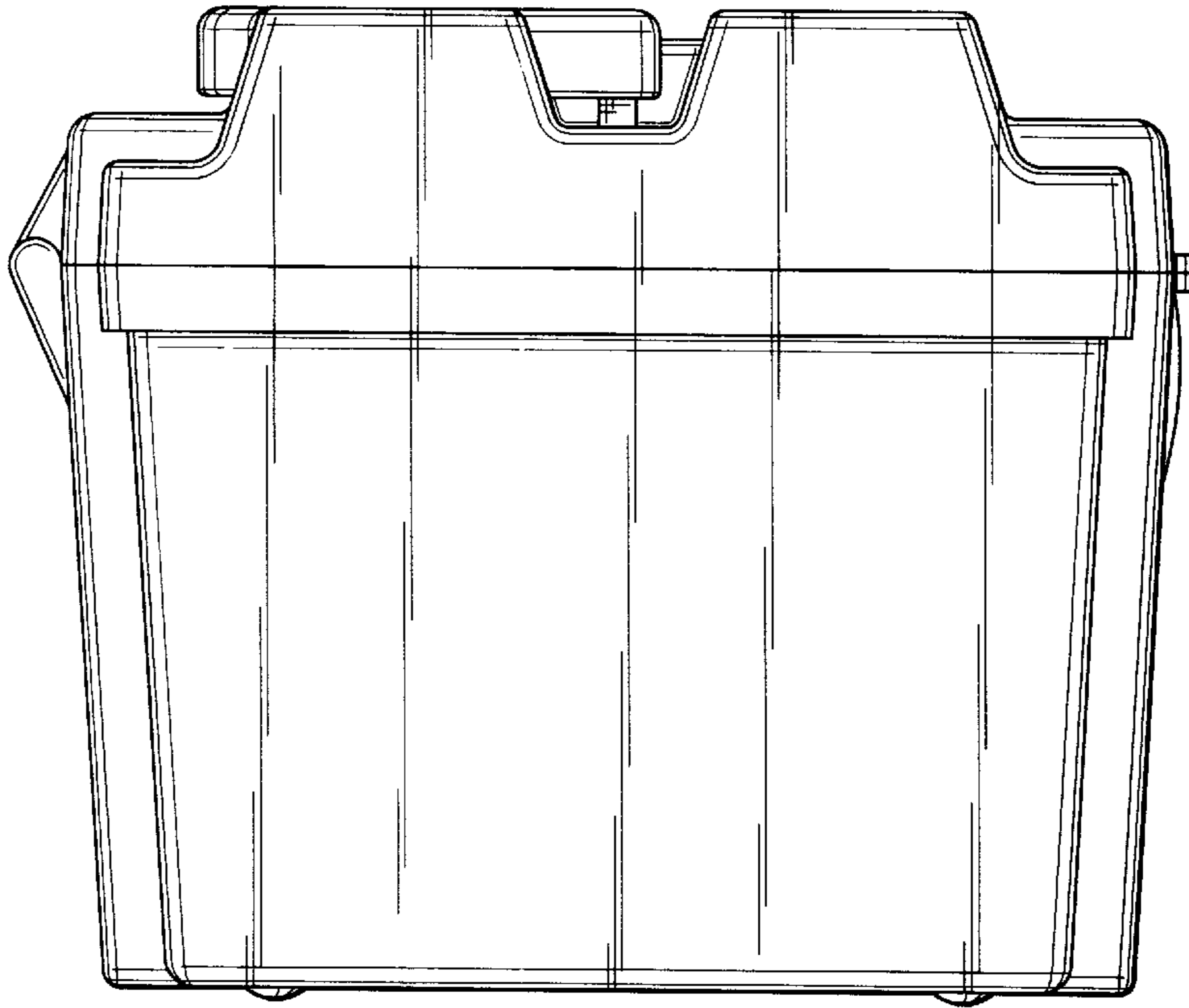


FIG. 4

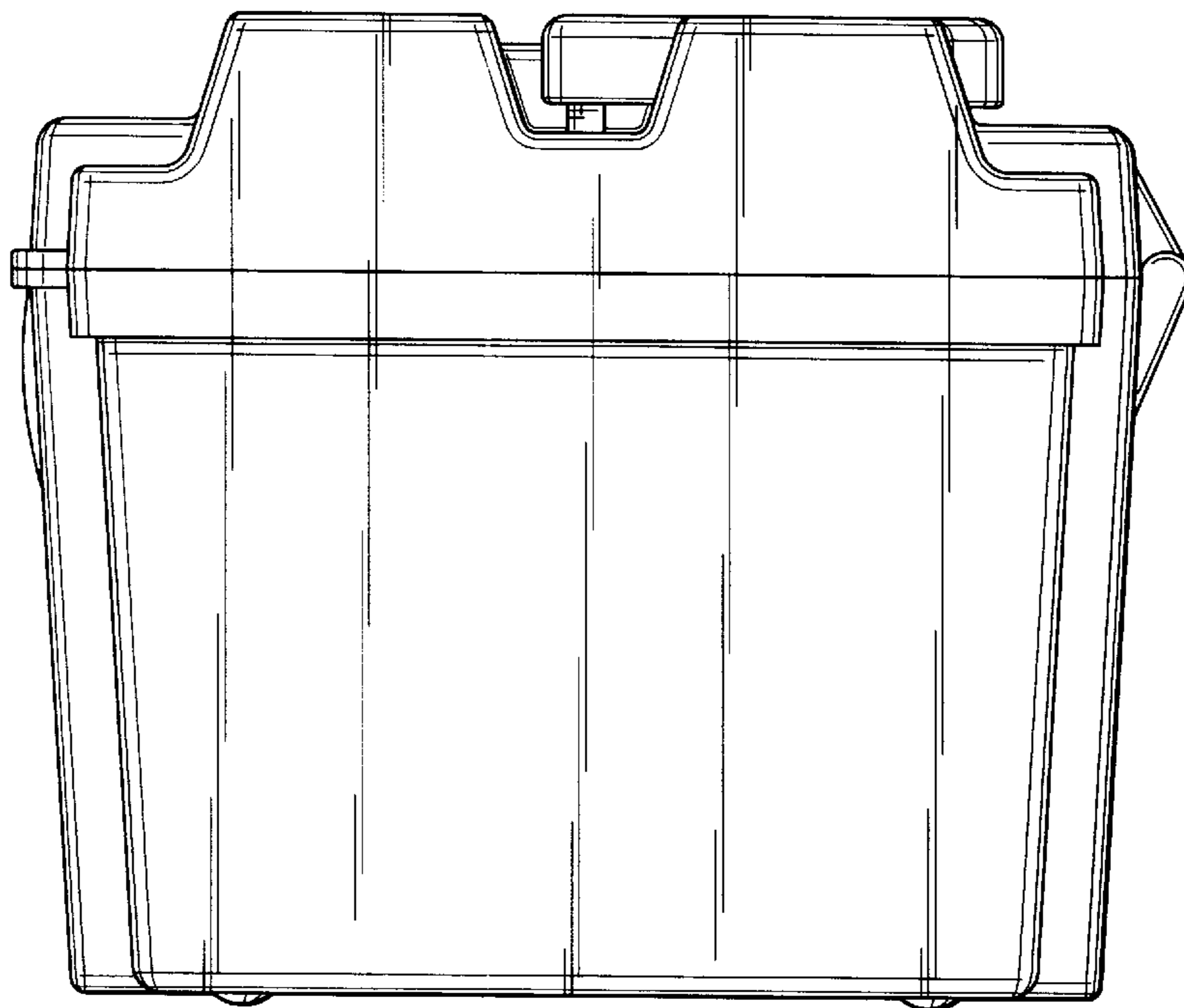


FIG. 5

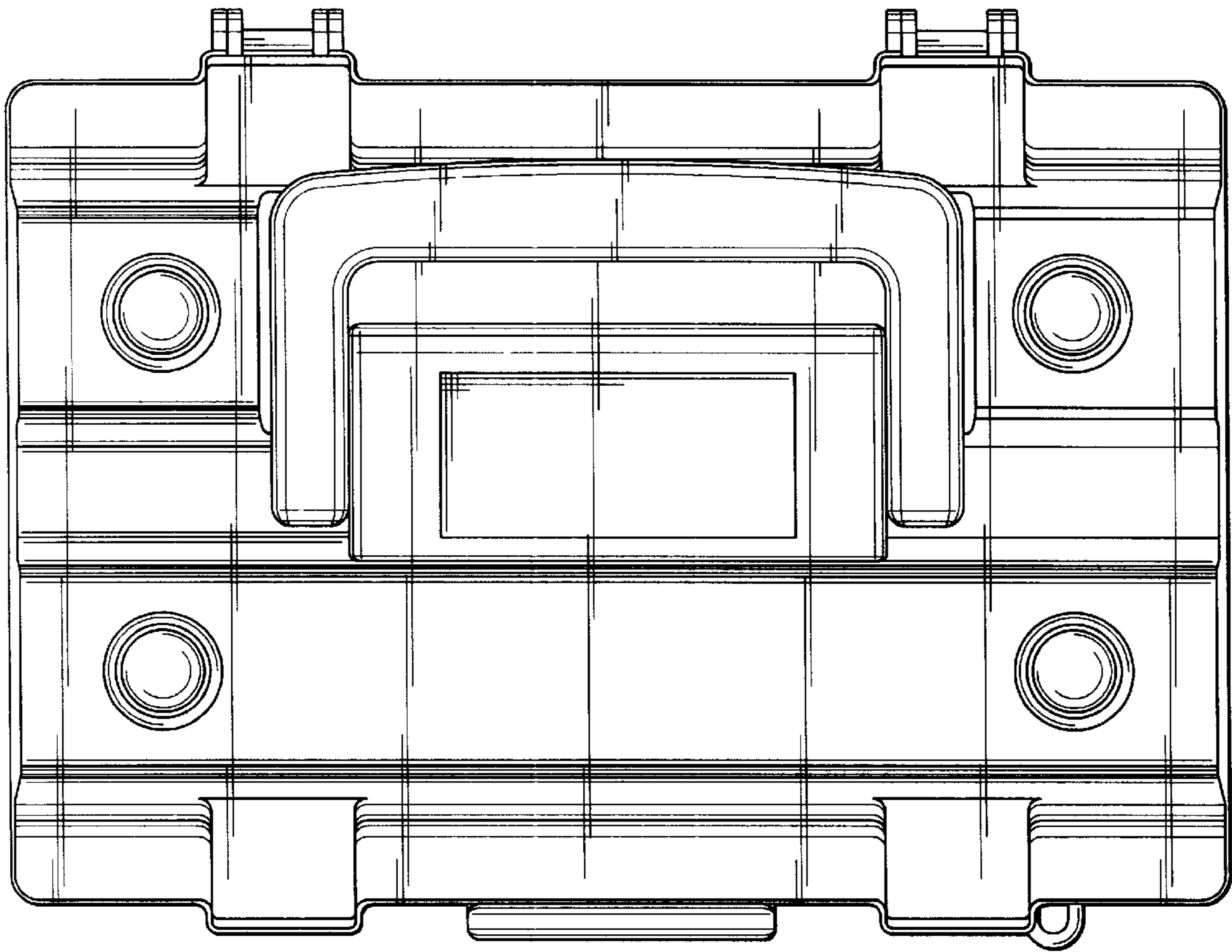


FIG. 6

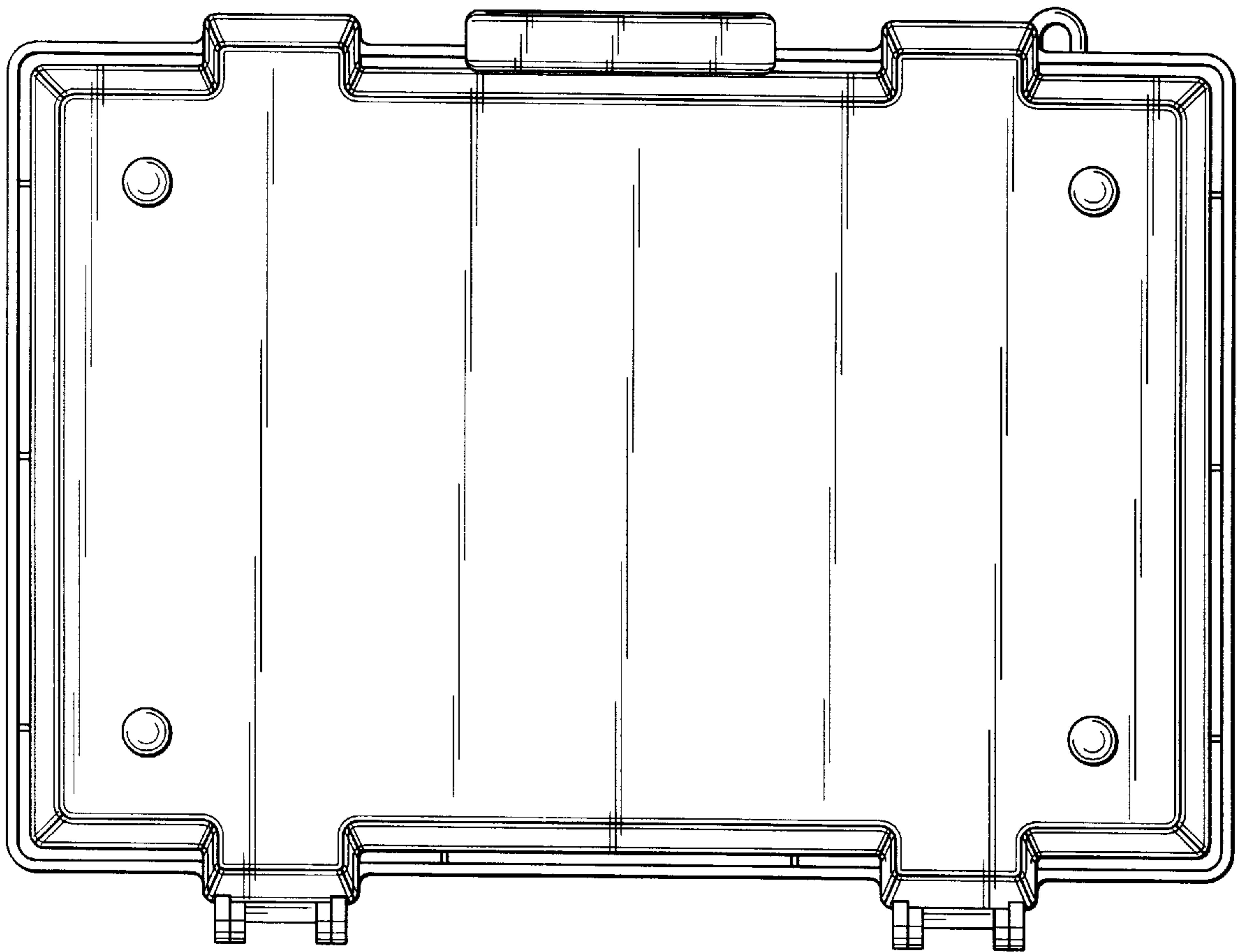


FIG. 7